

# User's Manual



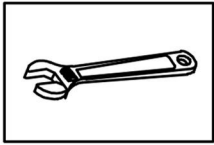


# BEFORE INSTALLATION

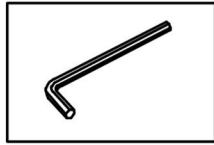
## ► Notes before installation

1. Please check that all components are present.
2. Before installation ensure that all feed lines are clear of debris and on/off valve is present.
3. Pictures in the manual are general in content and may not represent exactly your purchased faucet.  
If you are having difficulties please contact a professional plumber.
4. If you will be away from home for an extended period you should shut off the main water supply.

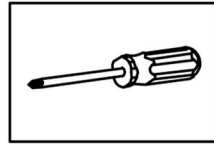
## ► Recommend Tools And Materials



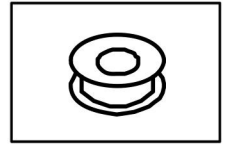
Adjustable Wrench



Hexagon wrench

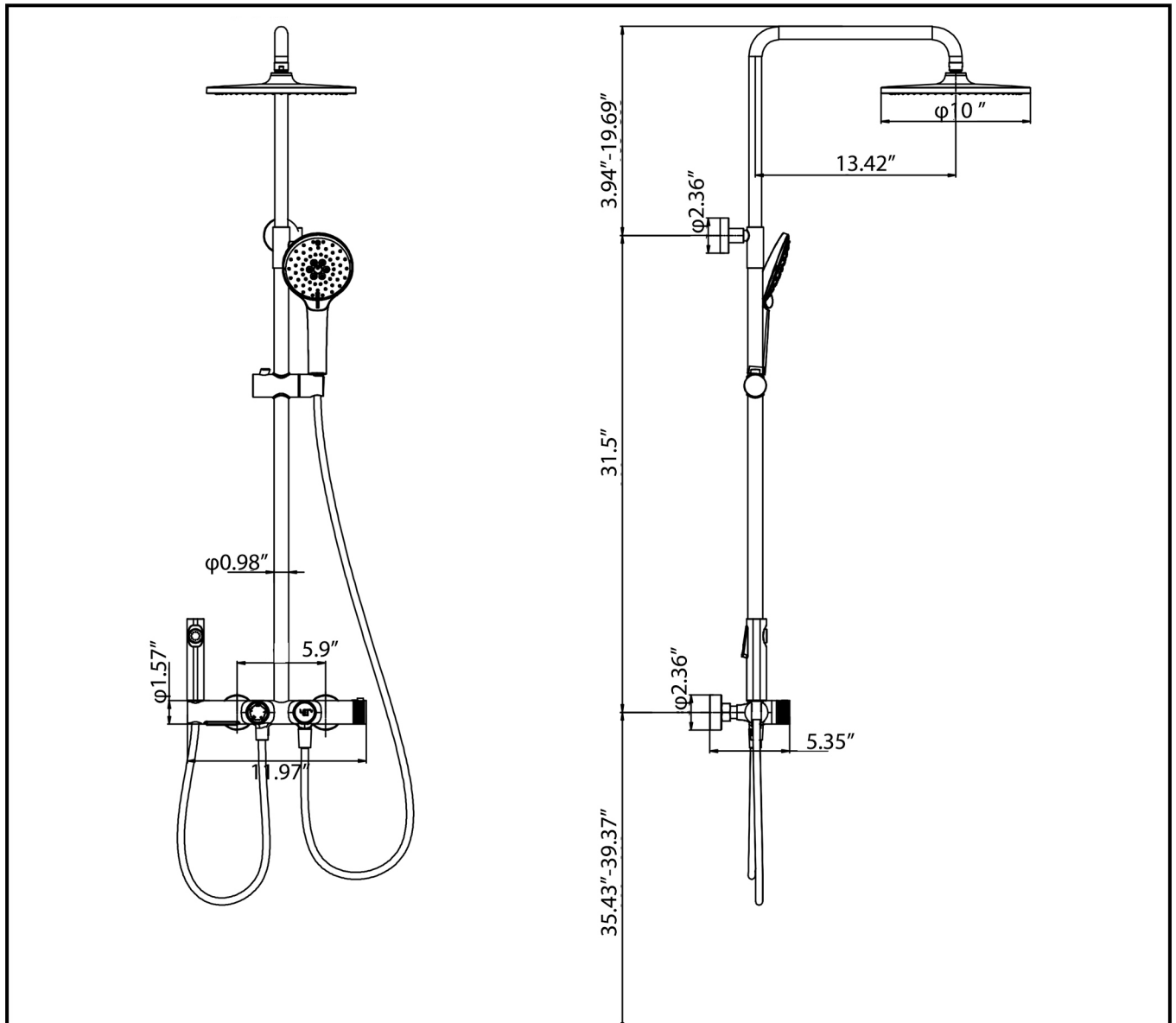


Philips Screwdriver



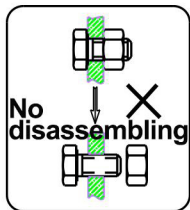
Pipe Tape

## ► Installation Dimension

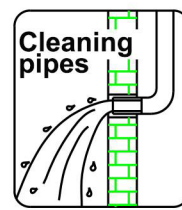


# INSTALLATION STEPS

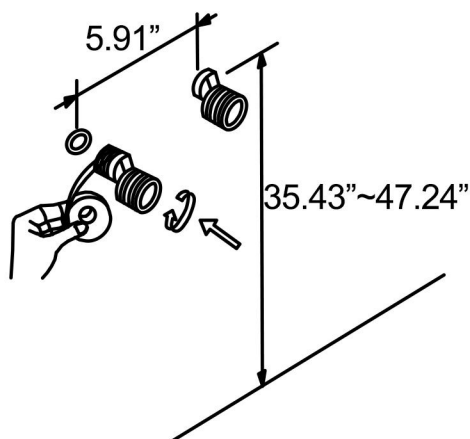
This product has been inspected and debugged by the factory to the best condition. Please do not disassemble and assemble it yourself.



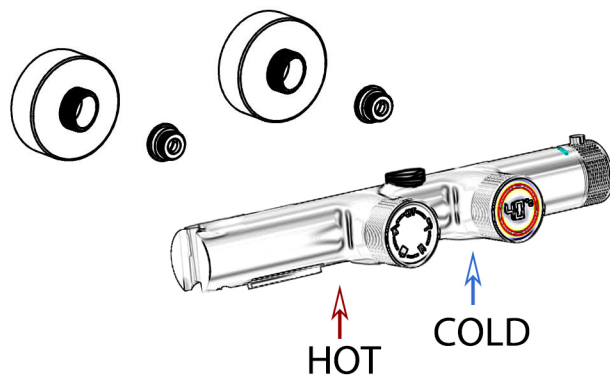
Before installing the product, please be sure to remove sundries and sludge from the water pipe to prevent sundries from blocking the product.



1. As shown, install the accessories and attach the tape.



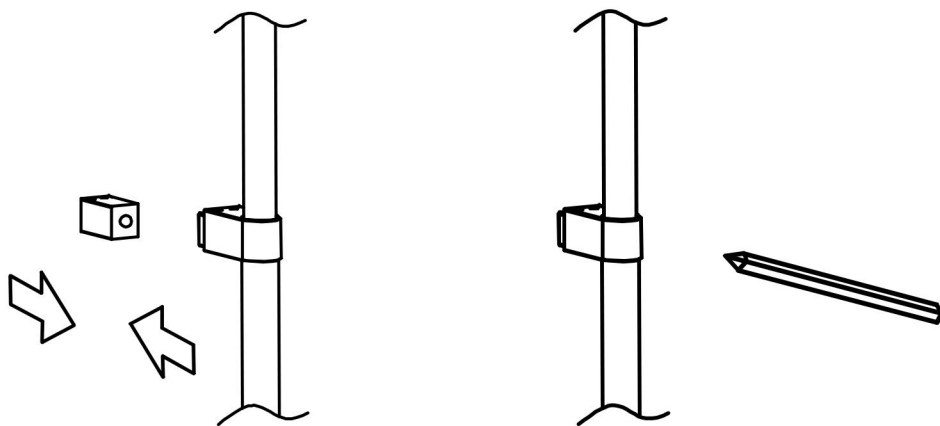
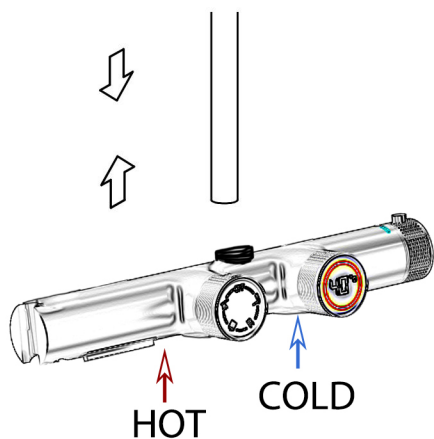
2. Install the main body and rubber pad.



3. Install the riser on the faucet.

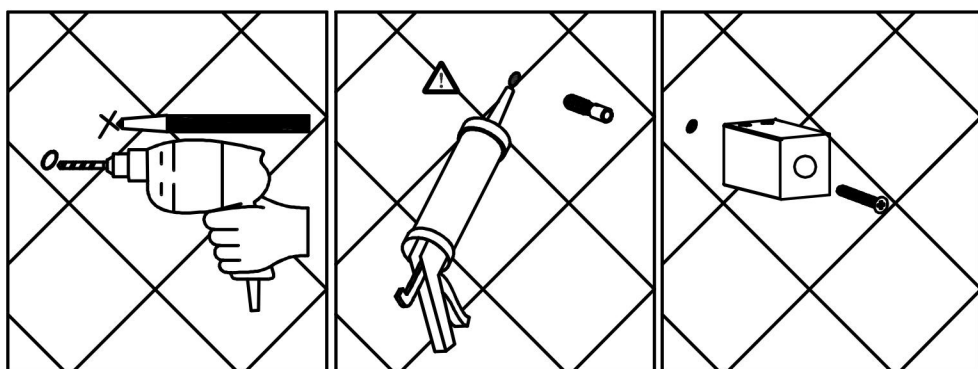
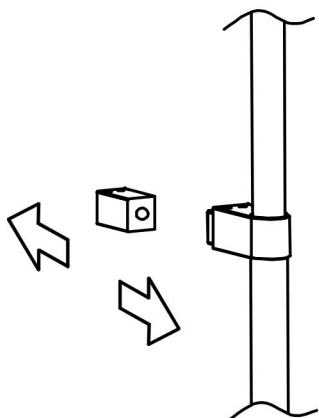
4. Install the mounting piece on the shower arm.

5. Make sure the riser is level, mark the position of the screw holes.



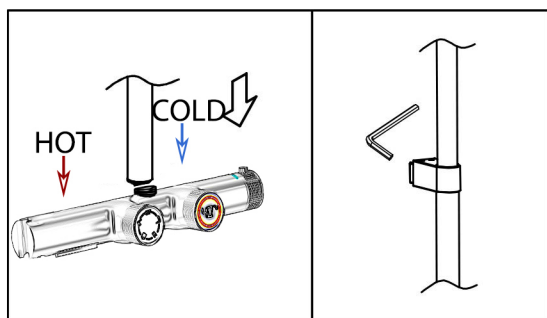
6. Remove the riser and the mounting piece.

7. Drill the screw holes and install the anchors. Install the mounting piece and mounting piece seal.

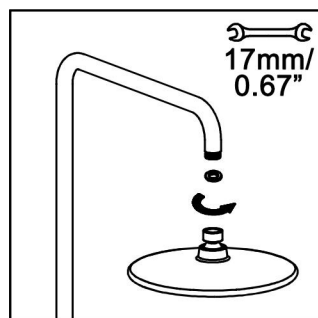


# INSTALLATION STEPS

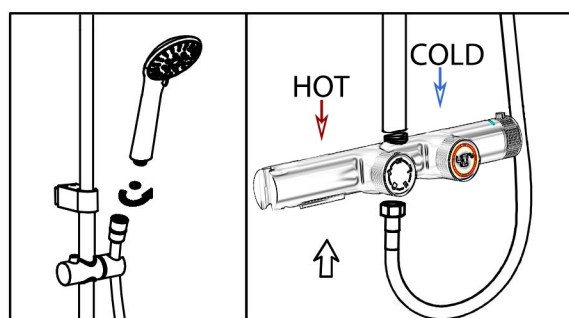
8. Install the riser on the faucet, tighten the screw.



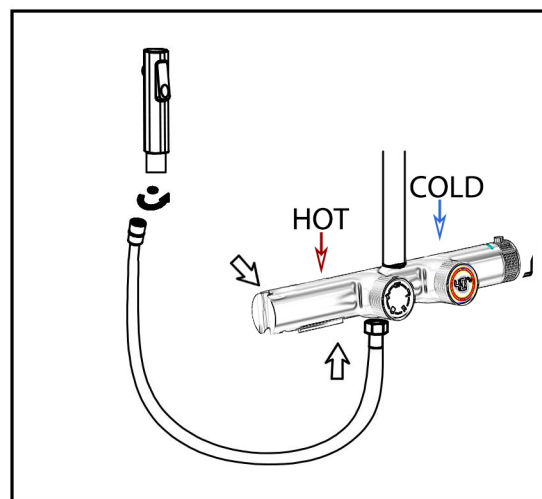
9. Install the rain shower head.



10. Place the hose washer in the short hose end connection. Connect this end of the hose to the main body. Place the screen washer in the long hose end connection. Install the hand shower on this end of the hose. Rest the hand shower in the holder.



11. Connect the two ends of the hose to the main body and the spray gun respectively, and finally put the spray gun in the holder.



## CLEANING CARE

In order to keep the appearance of product clean, bright and good performance, please take care of the product as follows;

1. Rinse with water only and dry with soft cotton cloth;
2. Use mild liquid and colorless glass cleaner to remove surface dirt and scale film, or use polish without abrasive effect;
3. Do not use abrasive detergent, polish, emery cloth, paper towel or scraper, etc;
4. Do not use acid cleaner, or cleaner and soap with insoluble gran etc;
5. In the process of use, mud may accumulate in the bubbler and make the water flow show, The bubbler can be unscrewed, rinsed with water, and then installed back in place.



Please feel free to contact us if you have any questions. We will help to solve the issue together with you. OUR EMAIL: [services@rbrohant.com](mailto:services@rbrohant.com)

