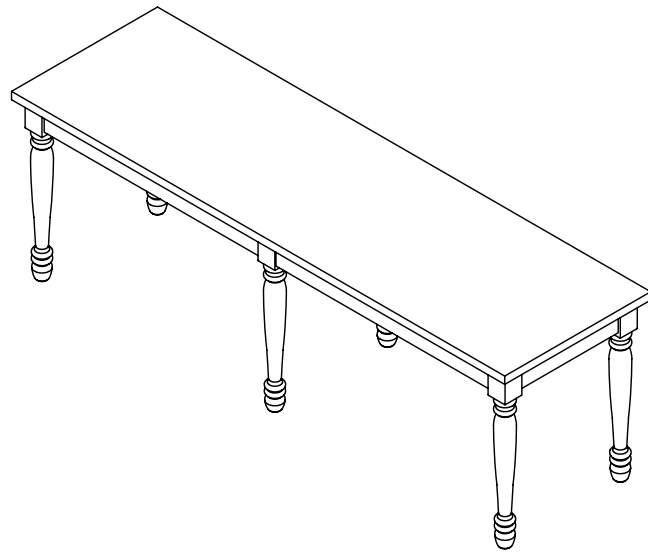
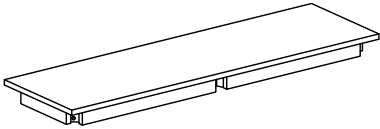

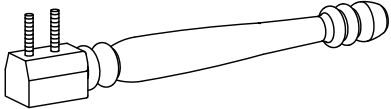


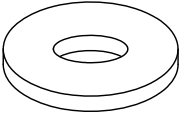
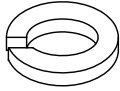
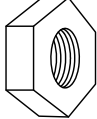
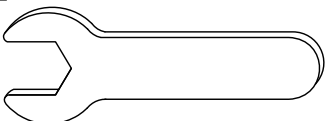
# Dining Bench



# PART LIST

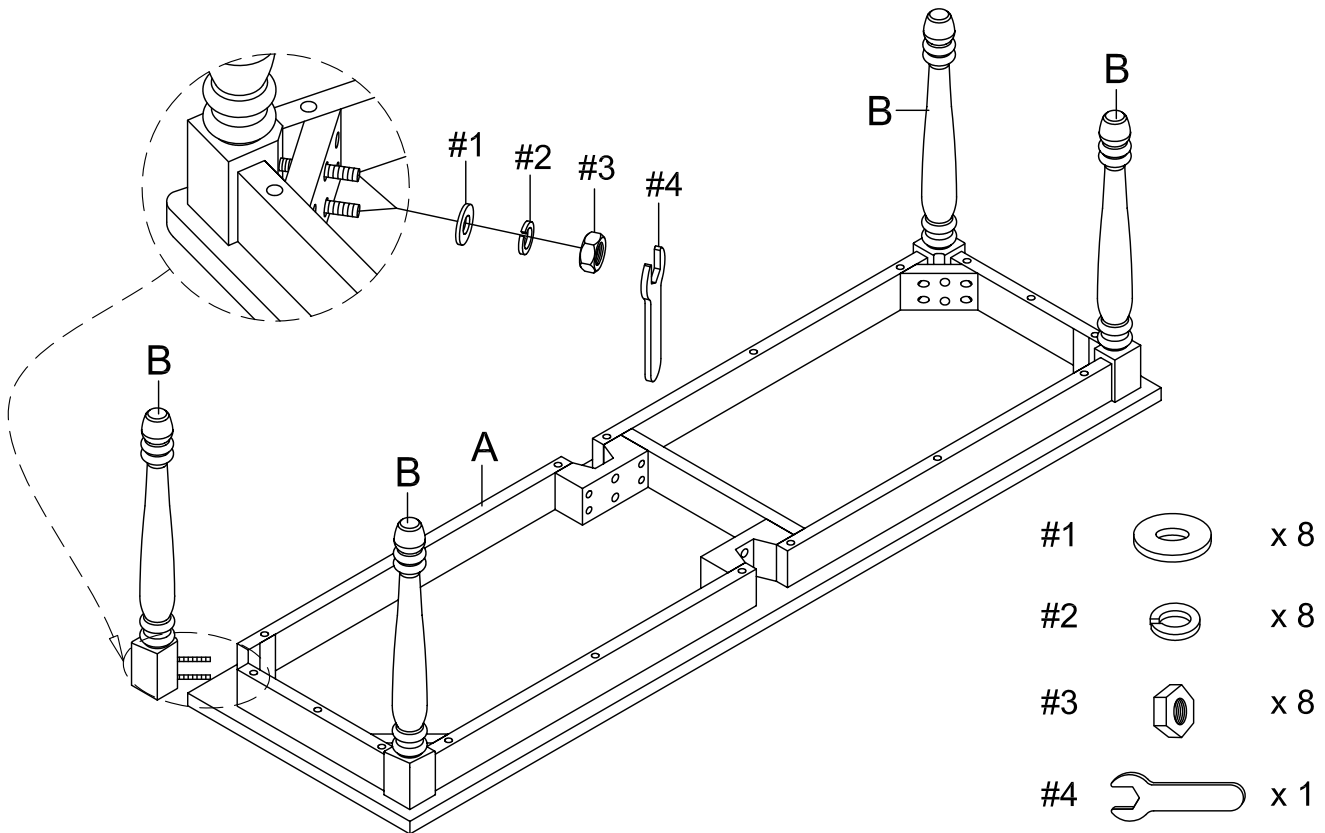
<p><b>A</b></p> 	<p><b>B</b></p> 	<p><b>C</b></p> 
<p>Seat Frame 1 PC</p>	<p>Corner Legs 4 PCS</p>	<p>Center Legs 2 PCS</p>

# HARDWARE LIST

<p><b>#1</b></p> 	<p><b>#2</b></p> 	<p><b>#3</b></p> 
<p>Flat Washer 12 PCS</p>	<p>Spring Washer 12 PCS</p>	<p>Nut 12 PCS</p>
<p><b>#4</b></p> 		
<p>Wrench 1 PC</p>		

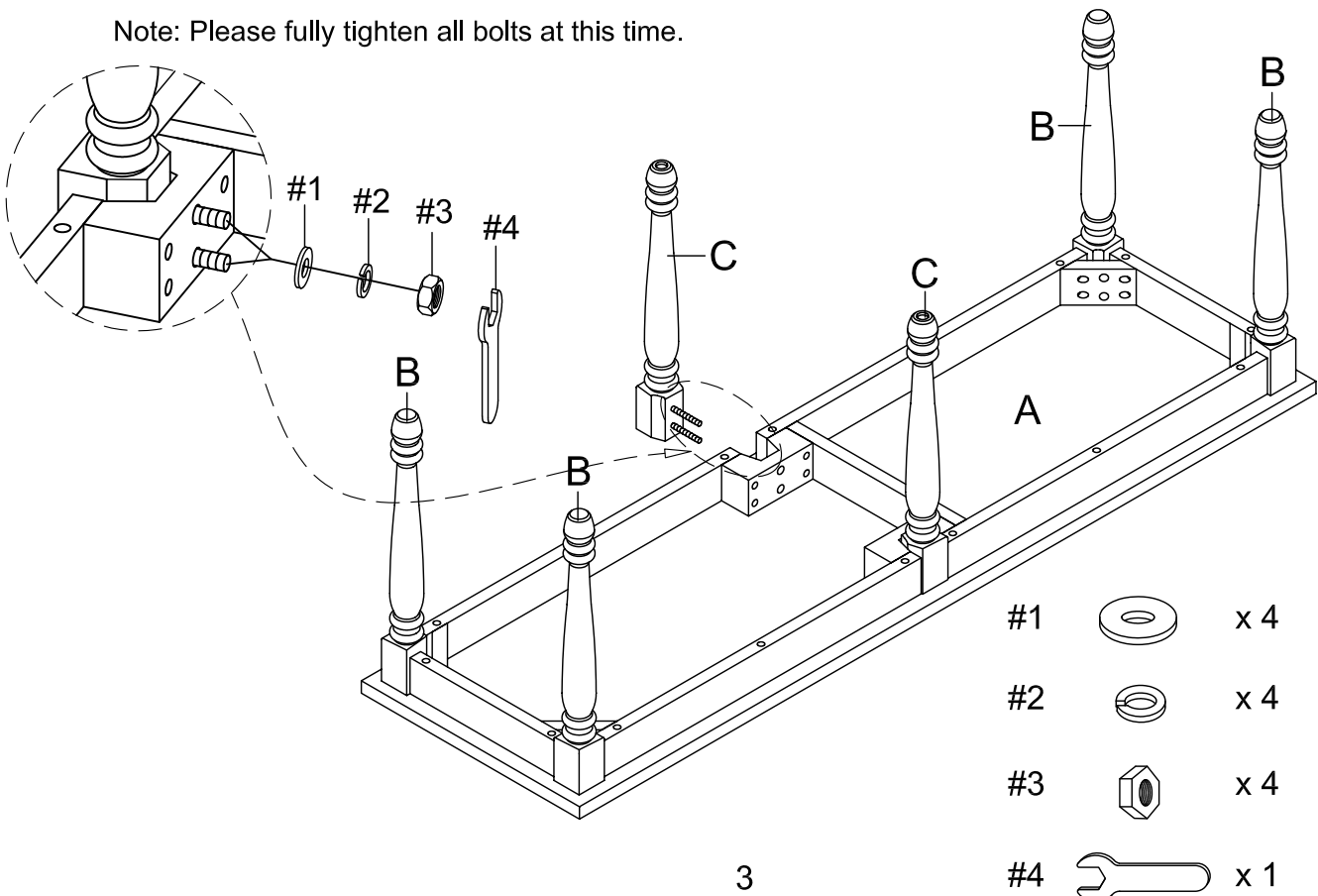
Step 1. Carefully turn seat frame (part #A) upside down on a soft flat surface, such as carpet, as shown below. Attach corner legs (part #B) to seat frame (part #A) using flat washers (part #1), spring washers (part #2), nuts (part #3) and wrench (part #4).

Note: Please do not fully tighten bolts until unit is fully assembled.

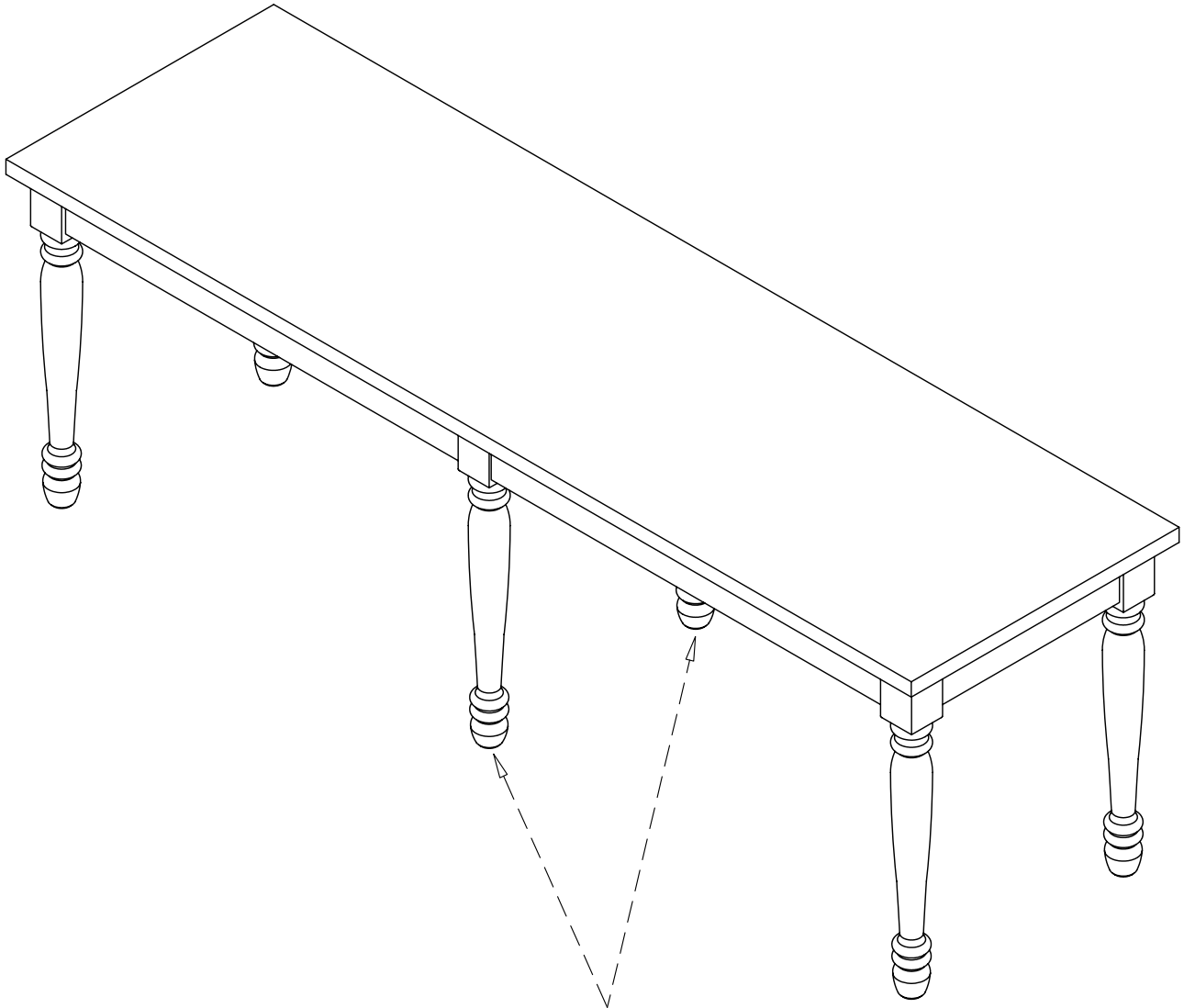


Step 2. Attach center legs (part #C) to seat frame (part #A) using flat washers (part #1), spring washers (part #2), nuts (part #3) and wrench (part #4).

Note: Please fully tighten all bolts at this time.



Step 3. Carefully turn assembled unit over, and unscrew adjustable levelers on center legs ( part C ) until they are firmly seated on the ground.



Adjustable Levelers