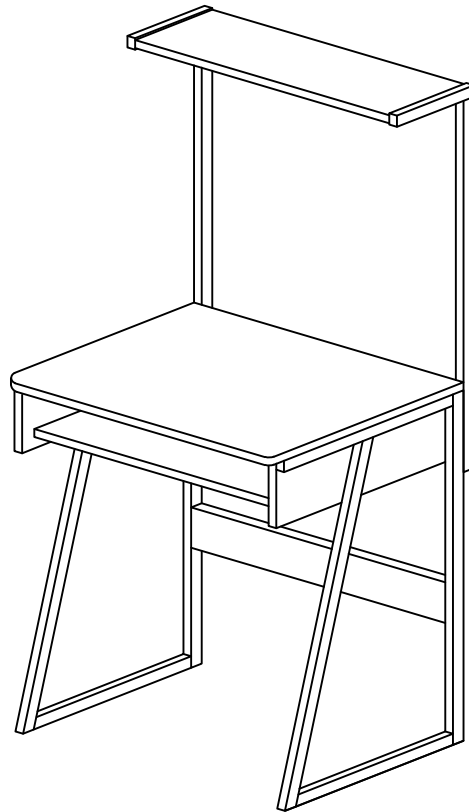


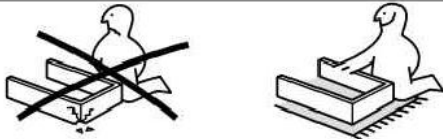
Instruction Manual



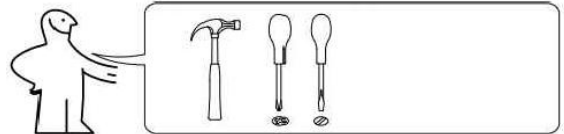
DEAR CUSTOMER,

Thank you for choosing our product. Please read this manual carefully before assembling. If the product is passed on to the third party, this manual has to be passed on along with the product. Enjoy your new purchase!





Assemble Item On a Clean Flat Surface



Tools Required For Assembly

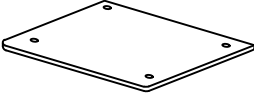

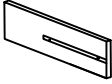
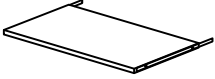
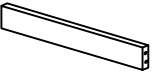
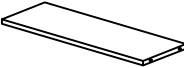




HARDWARE LIST

1	M6*30	2		3	M6*60	4		5
								
x8pcs		x8pcs		x4pcs		x4pcs		

PARTS LIST

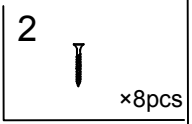
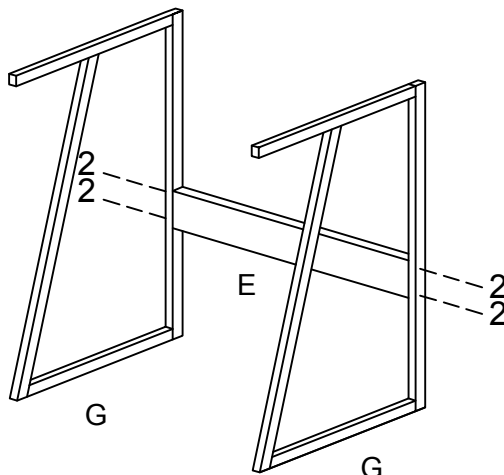
Note: there will be some error in the measurement, the actual size shall prevail.

A  ×1pcs	B  ×1pcs	C  ×1pcs	D  ×1pcs
E  ×1pcs	F  ×1pcs	G  ×2pcs	H  ×2pcs

NOTE

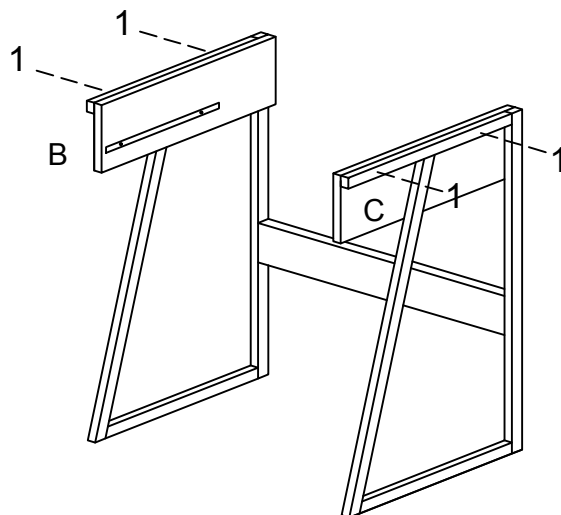
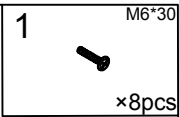
- Please check that you have all the parts and hardware listed before assembling.
- Please do not tighten all bolts until the table is assembled completely.
- If you find that something is missing, please contact the store you purchase immediately.
- At least every 4 months, check all bolts, screws and knobs to be sure they are tight.

Step:1



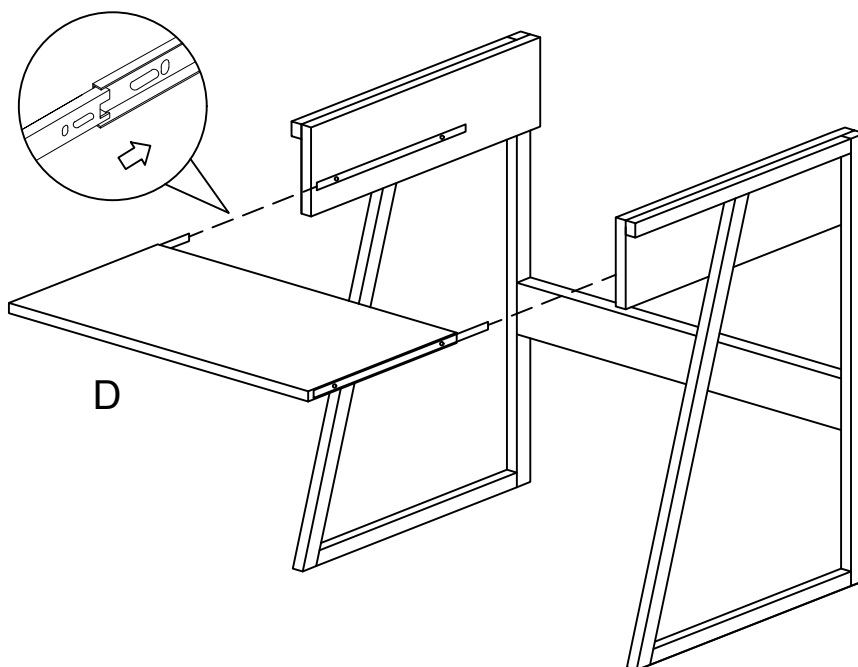
Install panel E through fitting 2.

Step:2



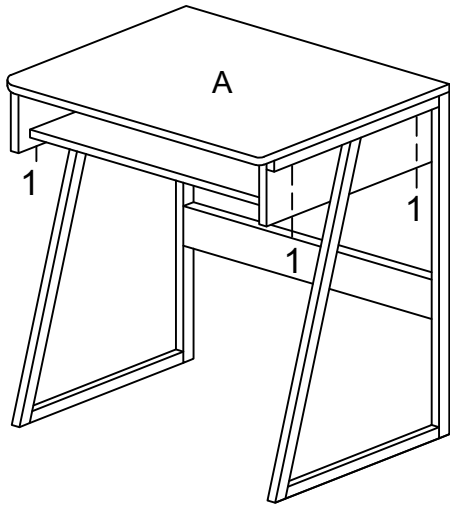
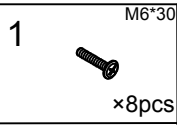
Install panel B and C through fitting 1.

Step:3



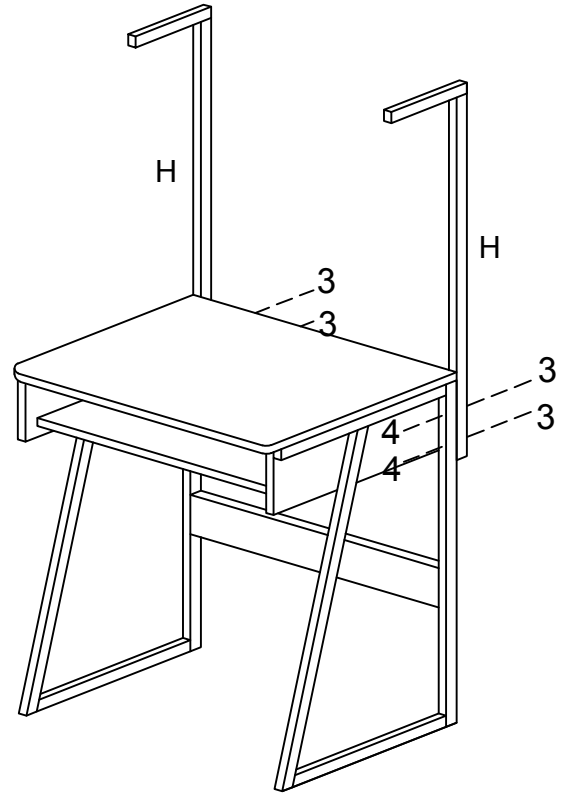
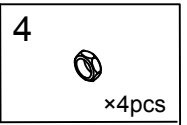
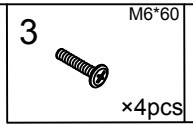
Install panel D.

Step:4



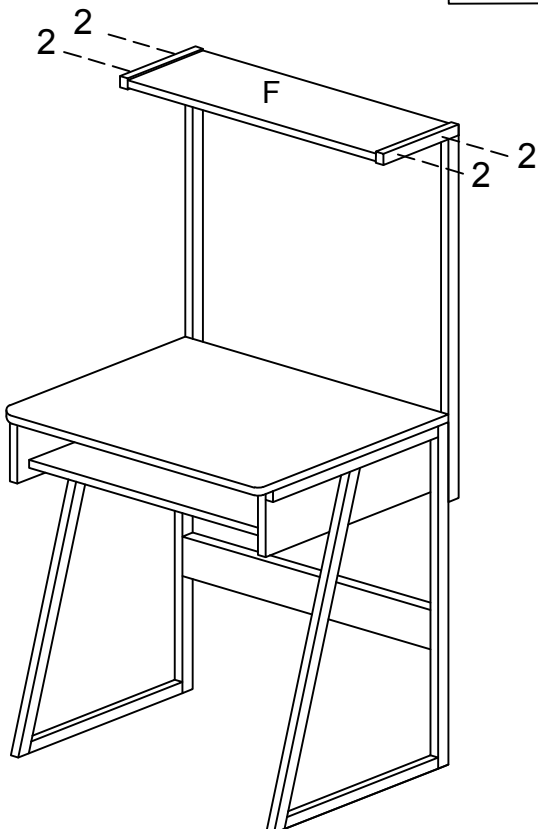
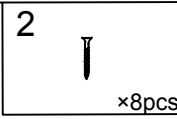
Install panel A through fitting 1.

Step:5



Install square tube H,I through fitting 3 and 4.

Step:6



Install panel F through fitting 2.

Step:7

Installation Complete !

