

Size of Mattress and Foundation

The length and width of the upper and lower bunk mattress and foundation are as follows :

<u>Size</u>	<u>Length</u>	<u>Width</u>	<u>Thickness</u>
Twin	74" - 75"	37 ½" - 38 ½"	9 ½" max

You must use only this size mattress.

Ensure thickness of upper and lower mattress and foundation combined does not exceed 9 ½" and that the mattress is at least 5" below upper edge of guardrails.
This Bunk Bed uses a slat kit for mattress foundation.



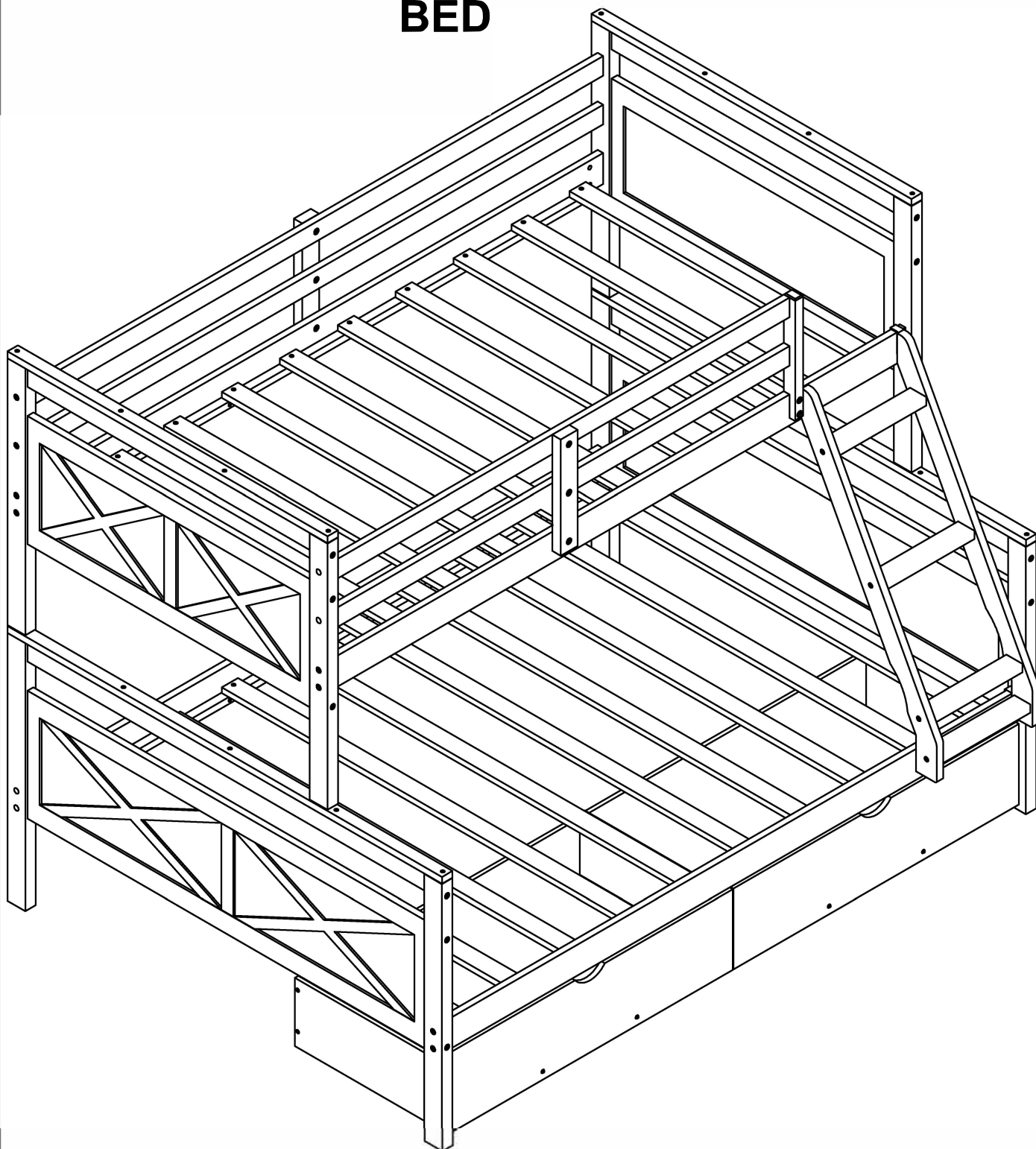
SAFETY WARNINGS

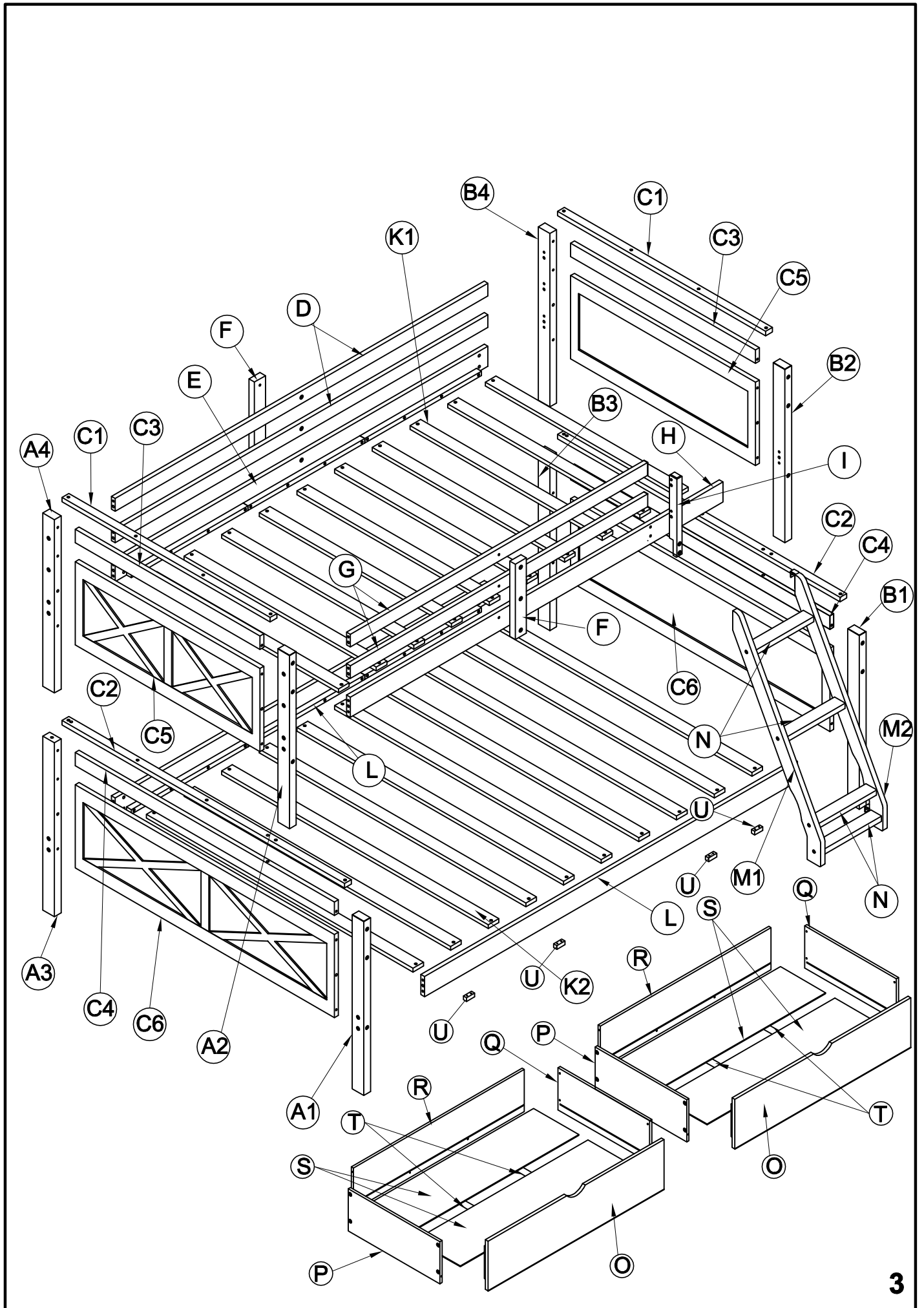


- (1) Follow the information on the warnings appearing on the upper bunk end structure and on the carton. Do not remove warning label from bed.
- (2) Always use the recommended size mattresses or mattress support, or both, to help prevent the likelihood of entrapment or falls.
- (3) Surface of mattress must be at least 5 in. (127mm) below the upper edge of guardrails.
- (4) Do not allow children under 6 years of age to use the upper bunk.
- (5) Periodically check and ensure that the guardrail, ladder, and other component are in their proper position, free from damage, and that all connectors are tight.
- (6) Do not allow horseplay on or under the bed and prohibit jumping on the bed.
- (7) Always use ladder for entering or leaving upper bunk.
- (8) Do not use substitute parts. Contact the manufacturer or dealer for replacement parts.
- (9) Use of a night light may provide added safety precaution for a child using the upper bunk.
- (10) Always use guardrails on both long sides of the upper bunk. If the bunk bed will be placed next to the wall, the guardrail that runs the full length of the bed should be placed against the wall to prevent entrapment between the bed and the wall.
- (11) The use of water or sleep flotation mattresses is prohibited.
- (12) STRANGULATION HAZARD : Never attach or hang items to any part of the bunk bed that are not designed for use with the bed; for example, but not limited to, hooks, belts and jump ropes.
- (13) Keep these instructions for future reference.










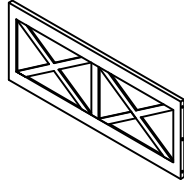
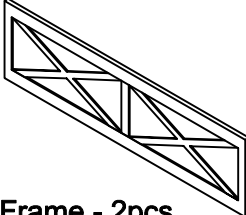
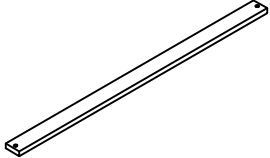


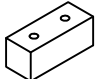
ASSEMBLY INSTRUCTION

BED

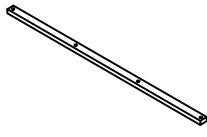
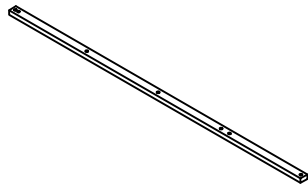
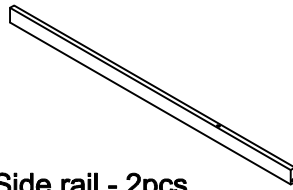
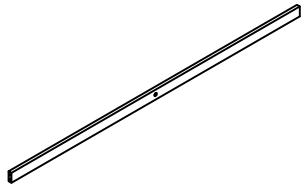
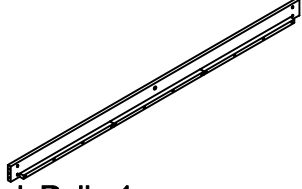

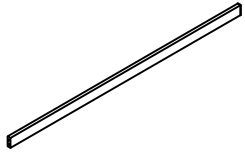
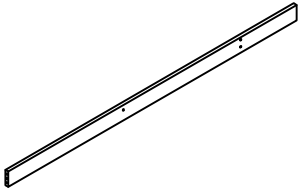

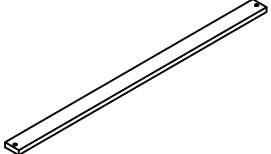
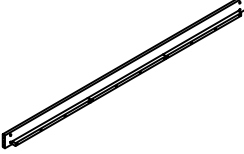
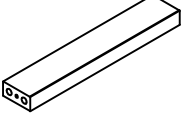
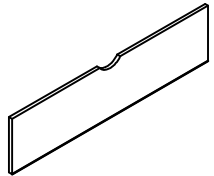
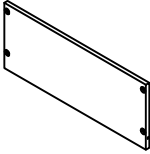
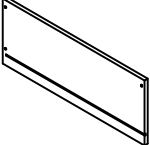
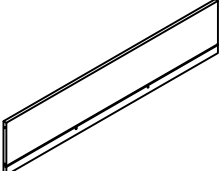
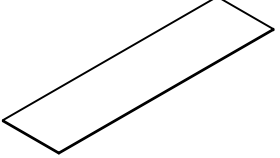
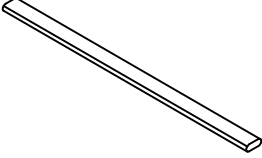




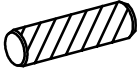
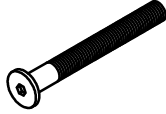
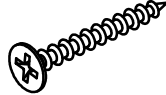




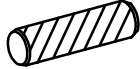


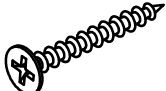

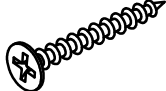
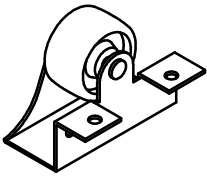
Part List(Box 1)

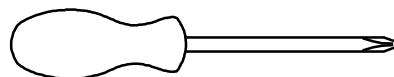
A1  Front Leg (Left) - 1pcs	A2  Front Leg (Left) - 1pcs	A3  Back Leg (Left) - 1pcs
A4  Back Leg (Left) - 1pcs	B1  Front Leg (Right) - 1pcs	B2  Front Leg (Right) - 1pcs
B3  Back Leg (Right) - 1pcs	B4  Back Leg (Right) - 1pcs	C3  Side rail - 2pcs
C5  Side Frame - 2pcs	C6  Side Frame - 2pcs	K2  Slat - 10pcs
M1  Side Ladder - 1psc	M2  Side Ladder - 1psc	U  Bottom Rail-4psc

Part List(Box 2)

<p>C1</p>  <p>Side rail - 2pcs</p>	<p>C2</p>  <p>Side rail - 2pcs</p>	<p>C4</p>  <p>Side rail - 2pcs</p>
<p>D</p>  <p>Back Rail - 2pcs</p>	<p>E</p>  <p>Back Rail - 1pcs</p>	<p>F</p>  <p>Rail - 2pcs</p>
<p>G</p>  <p>Front Rail - 2pcs</p>	<p>H</p>  <p>Front Rail - 1pcs</p>	<p>I</p>  <p>Rail - 1pcs</p>
<p>K1</p>  <p>Slat - 10psc</p>	<p>L</p>  <p>Side rail - 2psc</p>	<p>N</p>  <p>Step Ladder - 4psc</p>
<p>O</p>  <p>Front Drawer-2psc</p>	<p>P</p>  <p>Side Drawer(Left)-2psc</p>	<p>Q</p>  <p>Side Drawer(Right)-2psc</p>
<p>R</p>  <p>Back Drawer-2psc</p>	<p>S</p>  <p>Bottom Drawer-4psc</p>	<p>T</p>  <p>Bottom Rail-4psc</p>


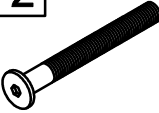
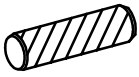
Hardware List

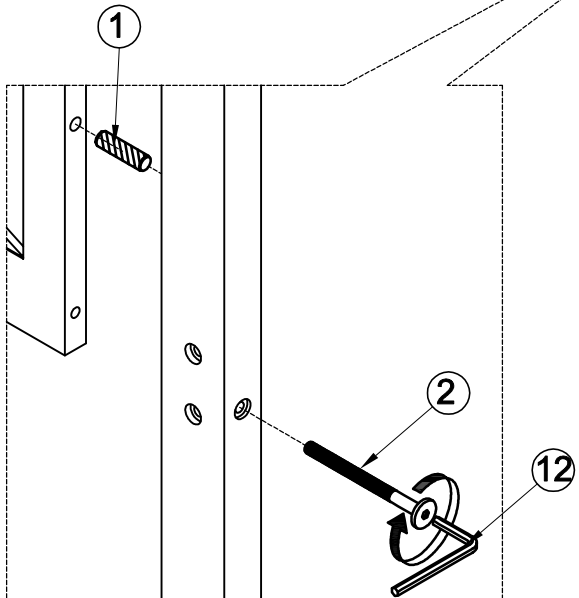
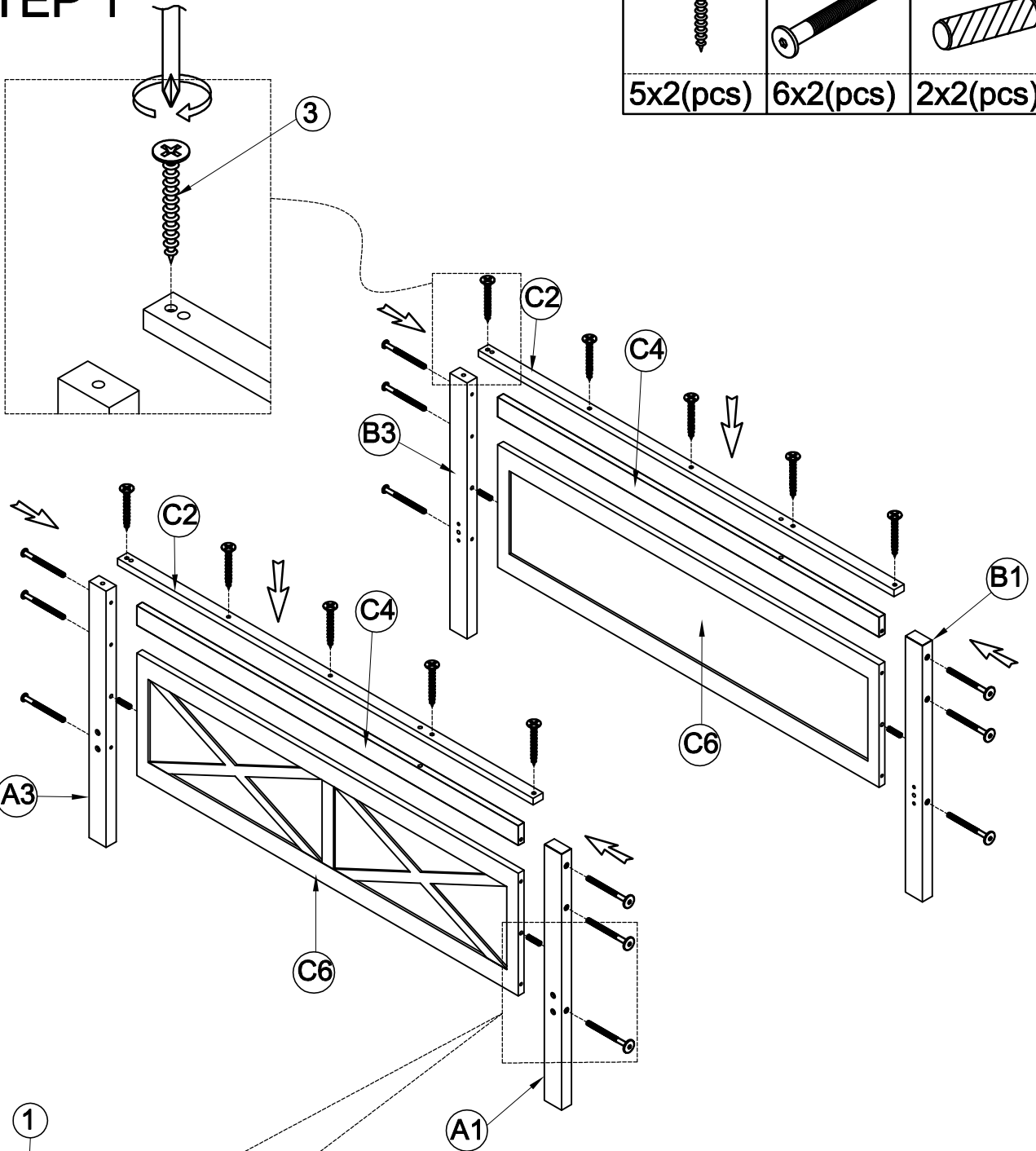
<p>1</p>  <p>Ø10 x 40 mm Wood dowel 40pcs</p>	<p>2</p>  <p>Ø1/4" x 70 mm Hex-Head bolts 26pcs</p>	<p>3</p>  <p>M4 x 30 mm Wood Screws 86pcs</p>
<p>4</p>  <p>Ø1/4" x 80 mm Hex-Head bolts 22pcs</p>	<p>5</p>  <p>Ø1/4" x 13 mm Horizontal-Hole bolts 24pcs</p>	<p>6</p>  <p>Ø1/4" x 25 mm Hex-Head bolts 8pcs</p>
<p>7</p>  <p>Ø1/4" x 15 mm Canopy head though - 8pcs</p>	<p>8</p>  <p>Ø12 x 110 mm Wood dowel 4pcs</p>	<p>9</p>  <p>Ø1/4" x 50 mm Hex-Head bolts 8pcs</p>
<p>10</p>  <p>Bracket 4 pcs</p>	<p>11</p>  <p>M4 x 20 mm Wood Screws 12pcs</p>	<p>12</p>  <p>Allen Key 1pc</p>
<p>13</p>  <p>M3.5x 12 mm Wood Screws 24pcs</p>	<p>14</p>  <p>Wheels 8pcs</p>	




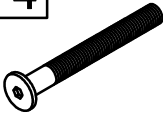
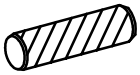
Assembly Tools Required (Not Included)

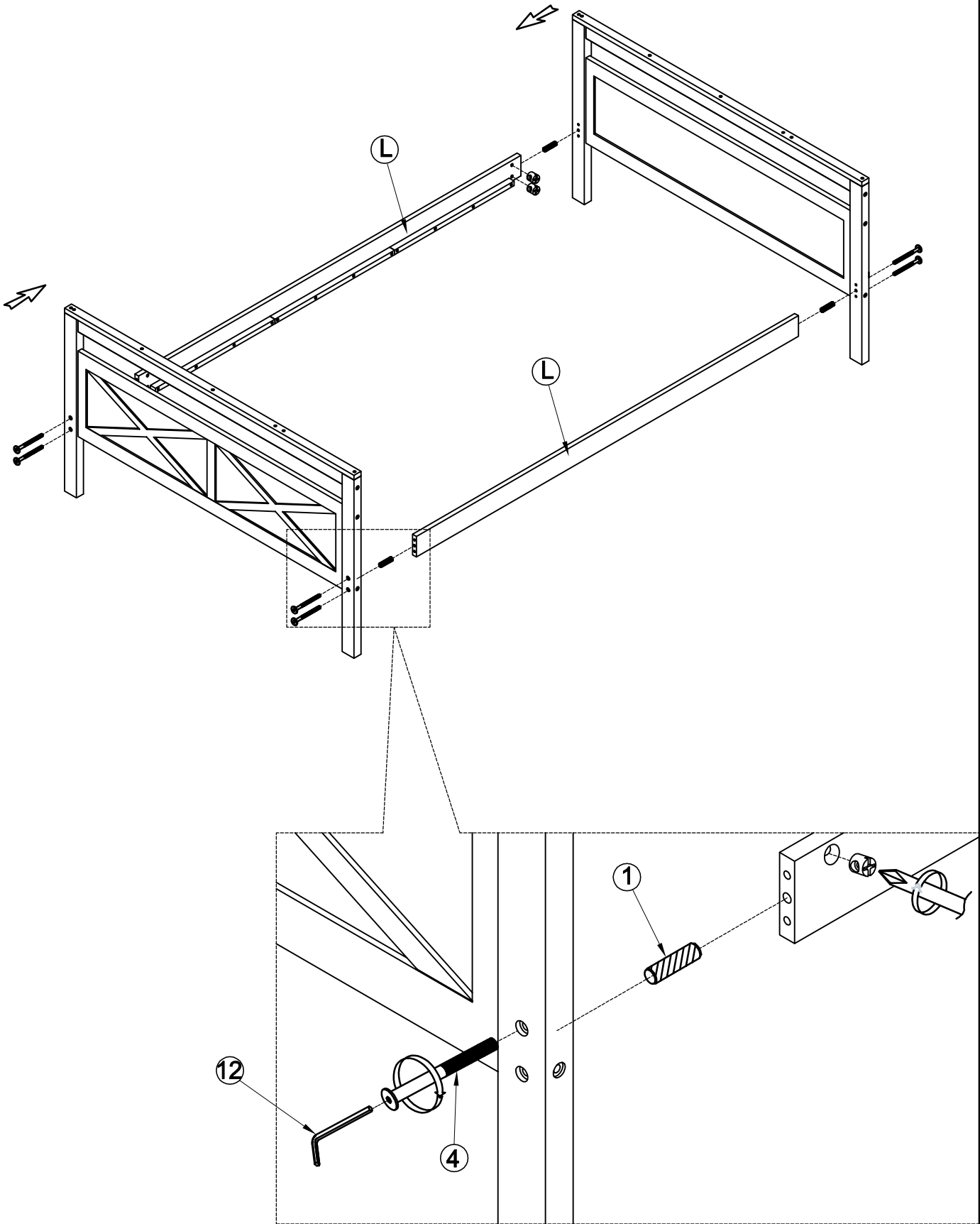
STEP 1

3		2		1	
5x2(pcs)		6x2(pcs)		2x2(pcs)	


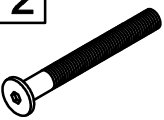
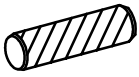


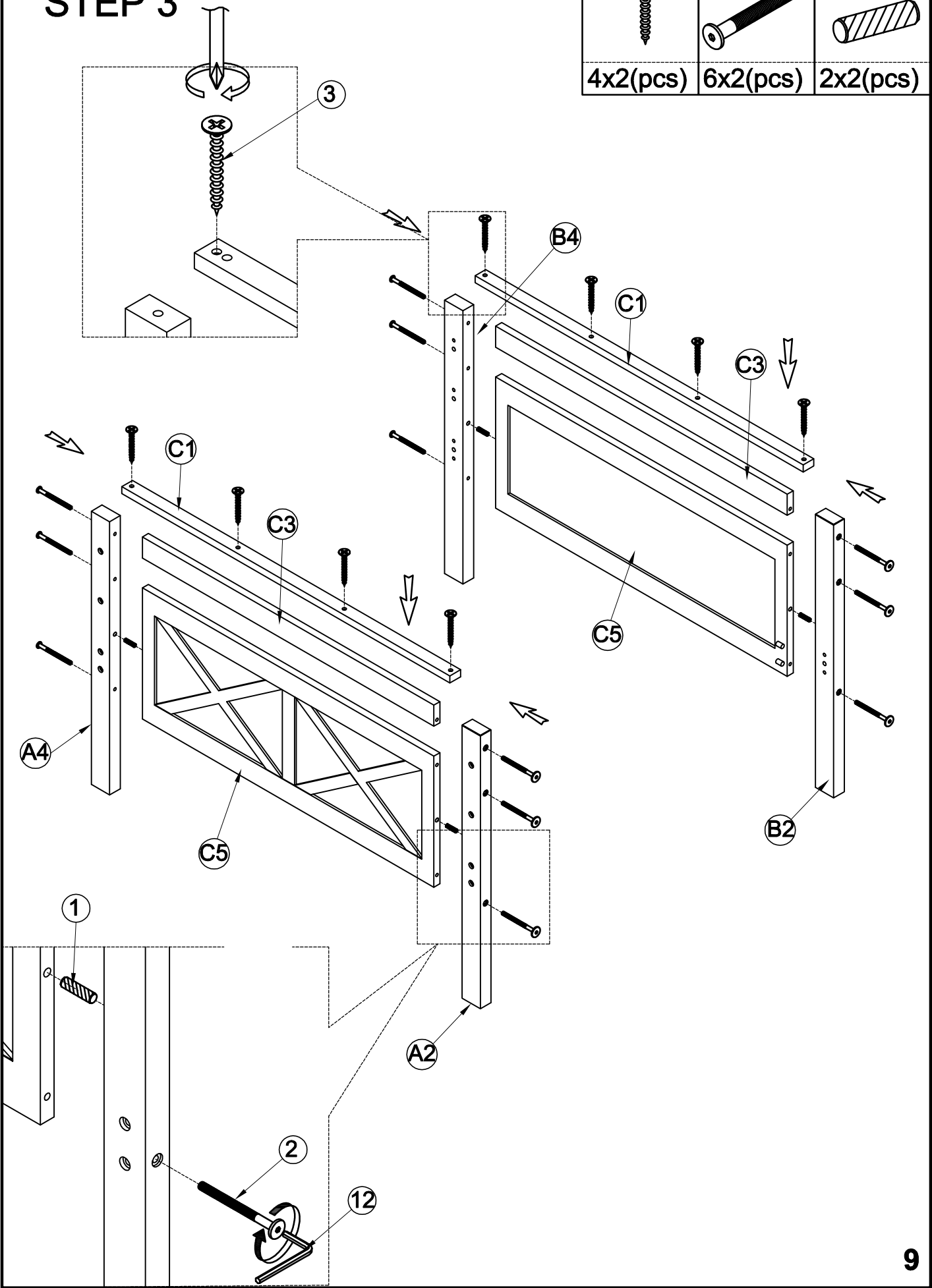
STEP 2

5	4	1
		
8(pcs)	8(pcs)	4(pcs)

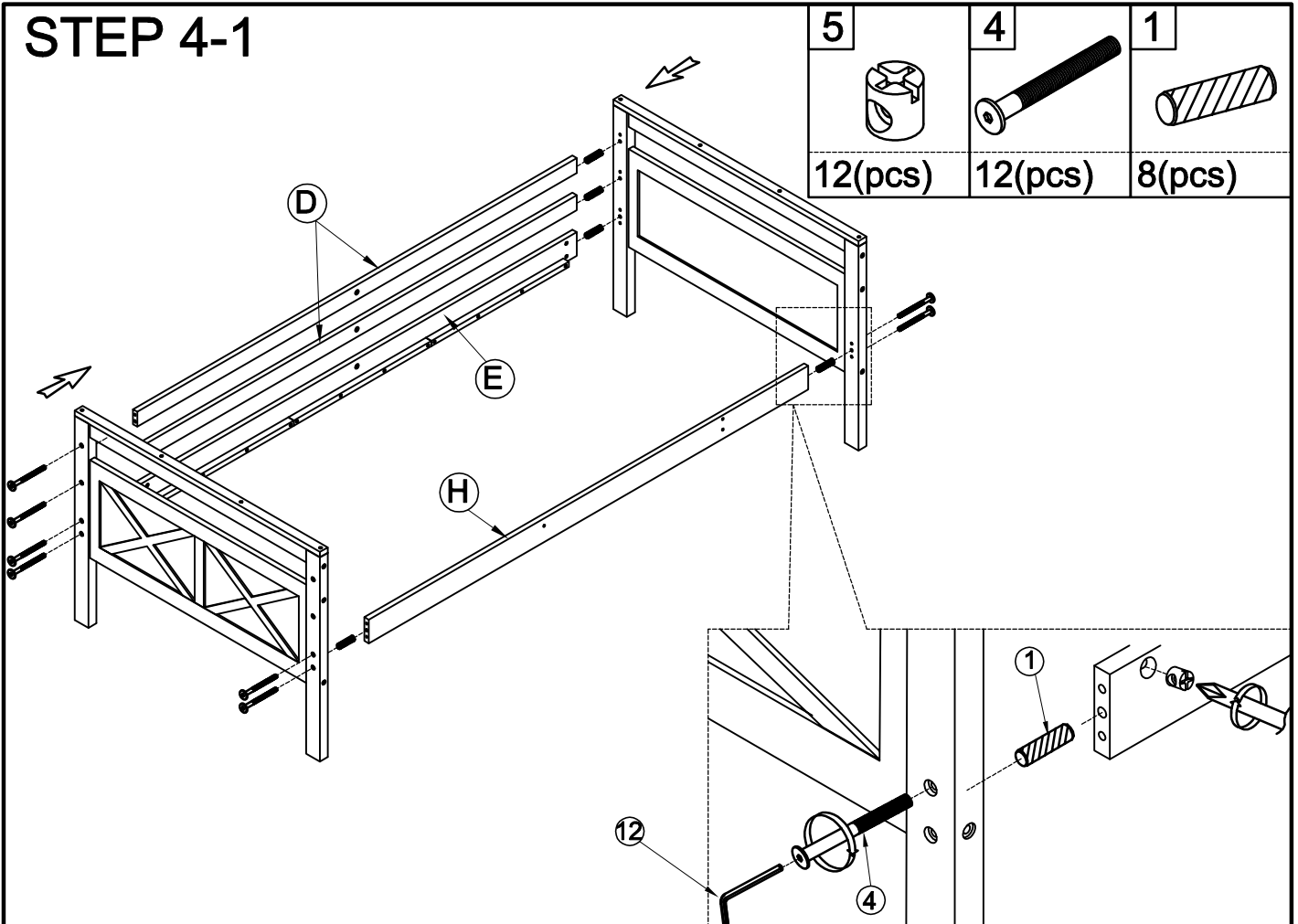


STEP 3

3		2		1	
4x2(pcs)		6x2(pcs)		2x2(pcs)	

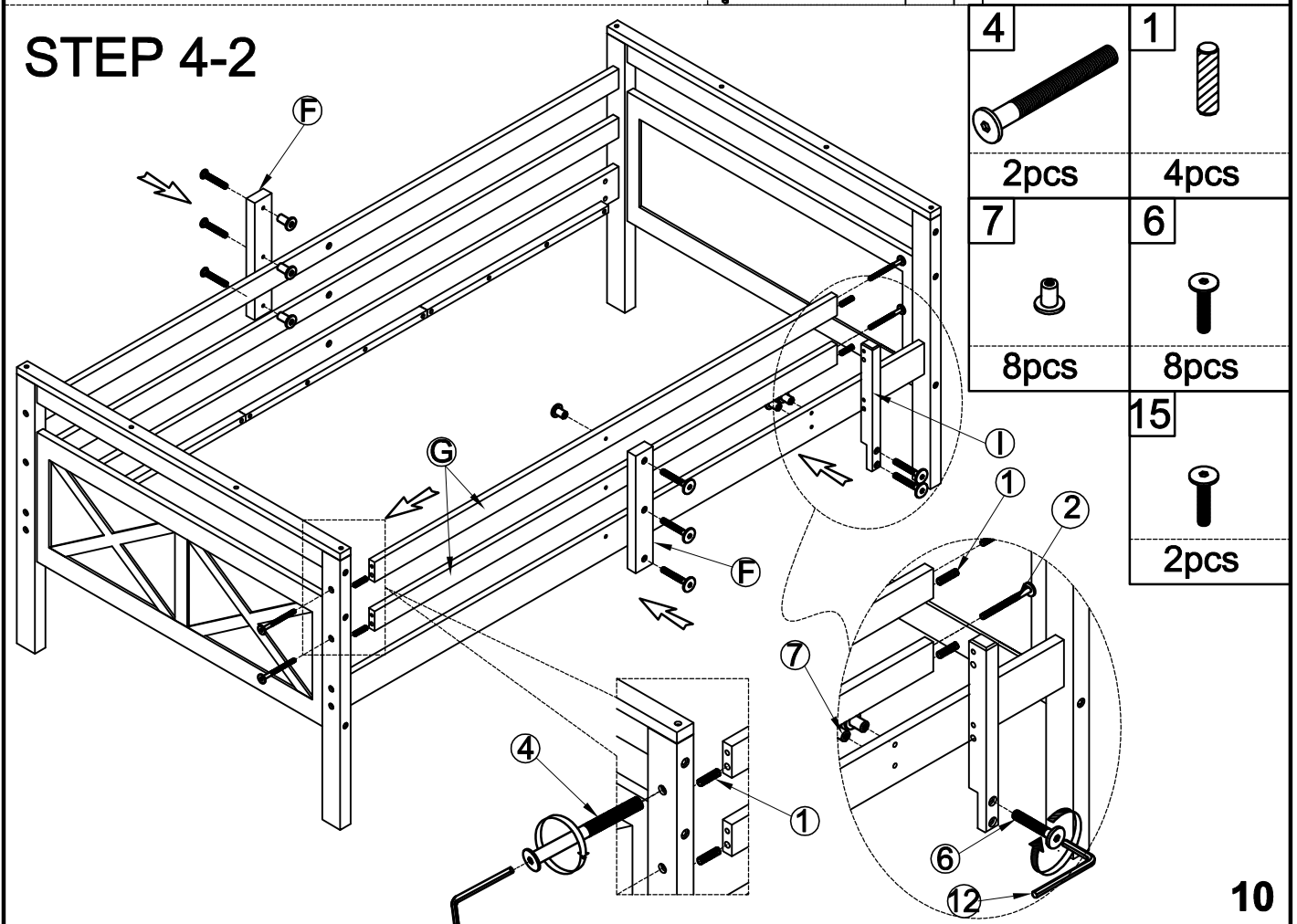


STEP 4-1



5	4	1
12(pcs)	12(pcs)	8(pcs)

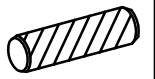
STEP 4-2



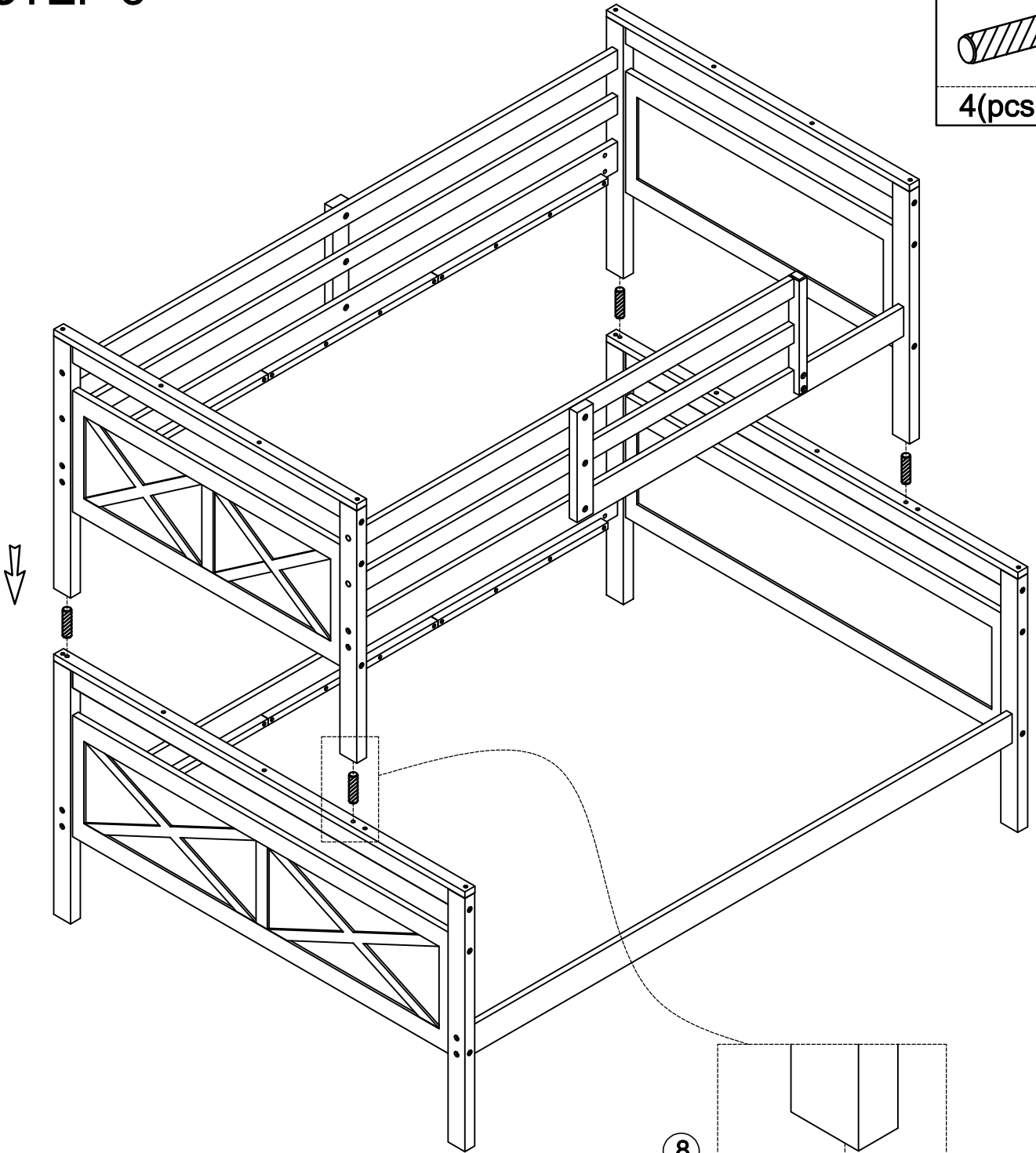
4	1
2pcs	4pcs
7	6
8pcs	8pcs
15	
	2pcs

STEP 5

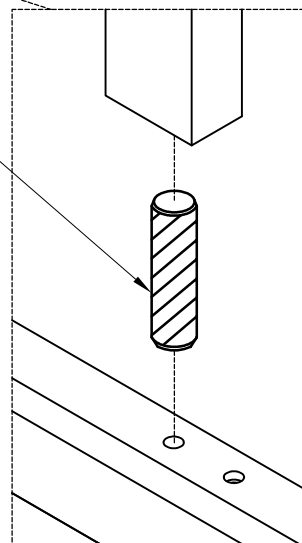
8



4(pcs)



8



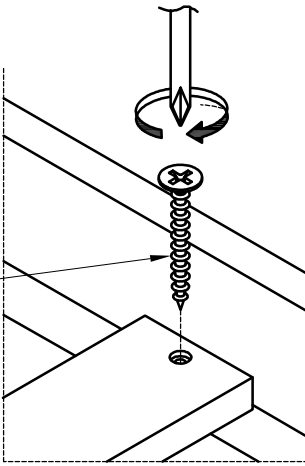
STEP 6

3

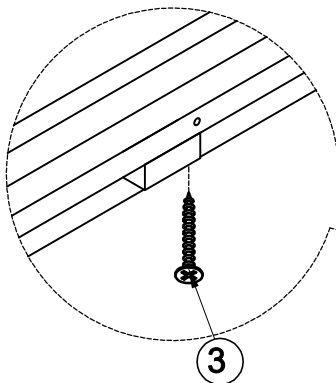
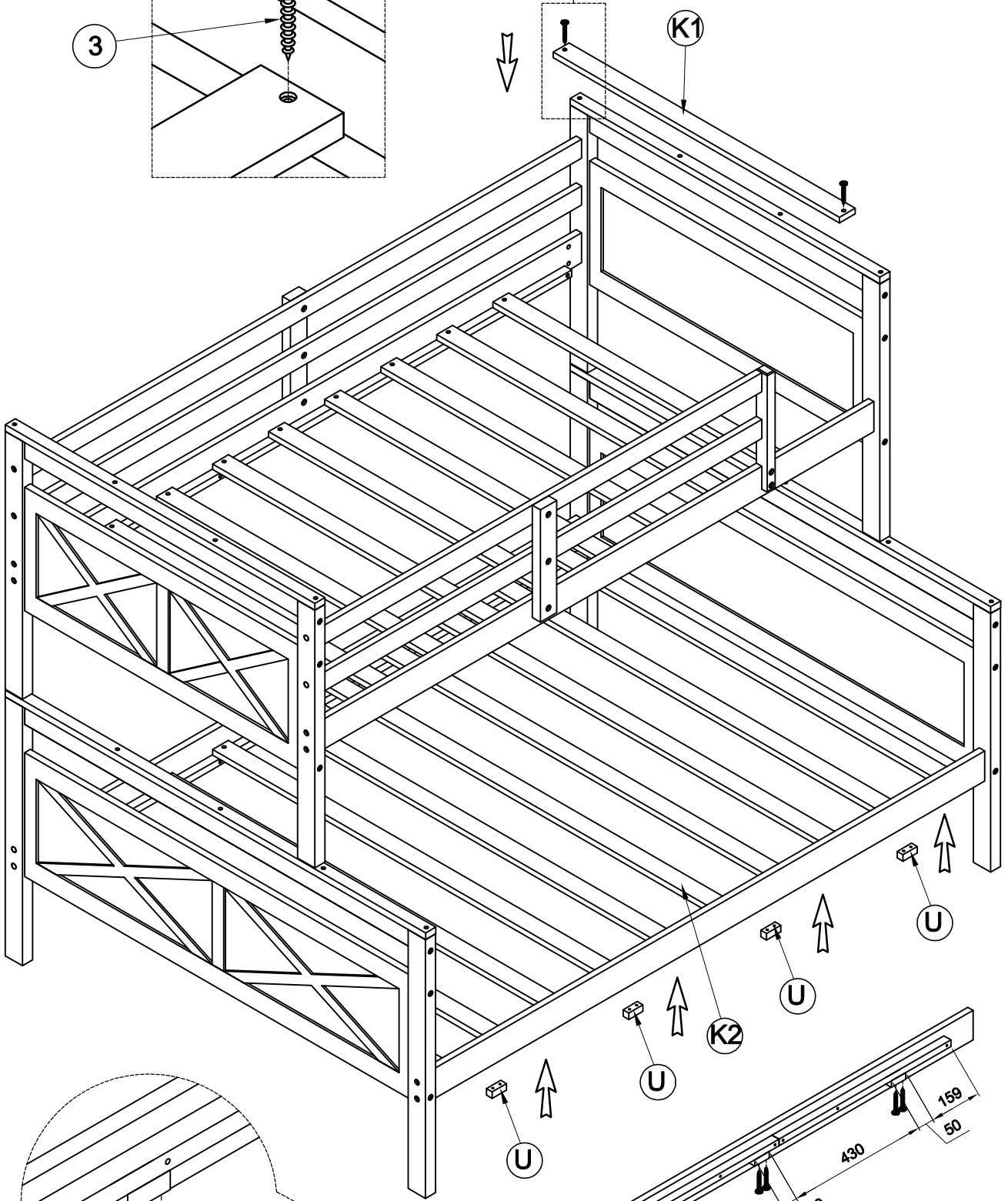


48(pcs)

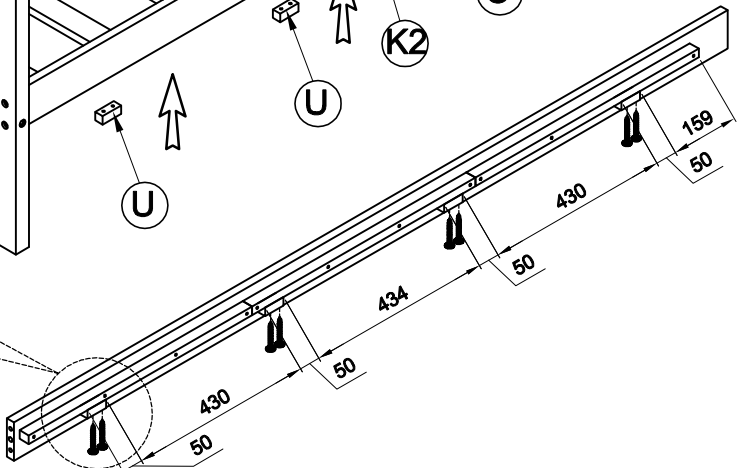
3



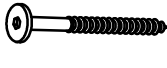

K1

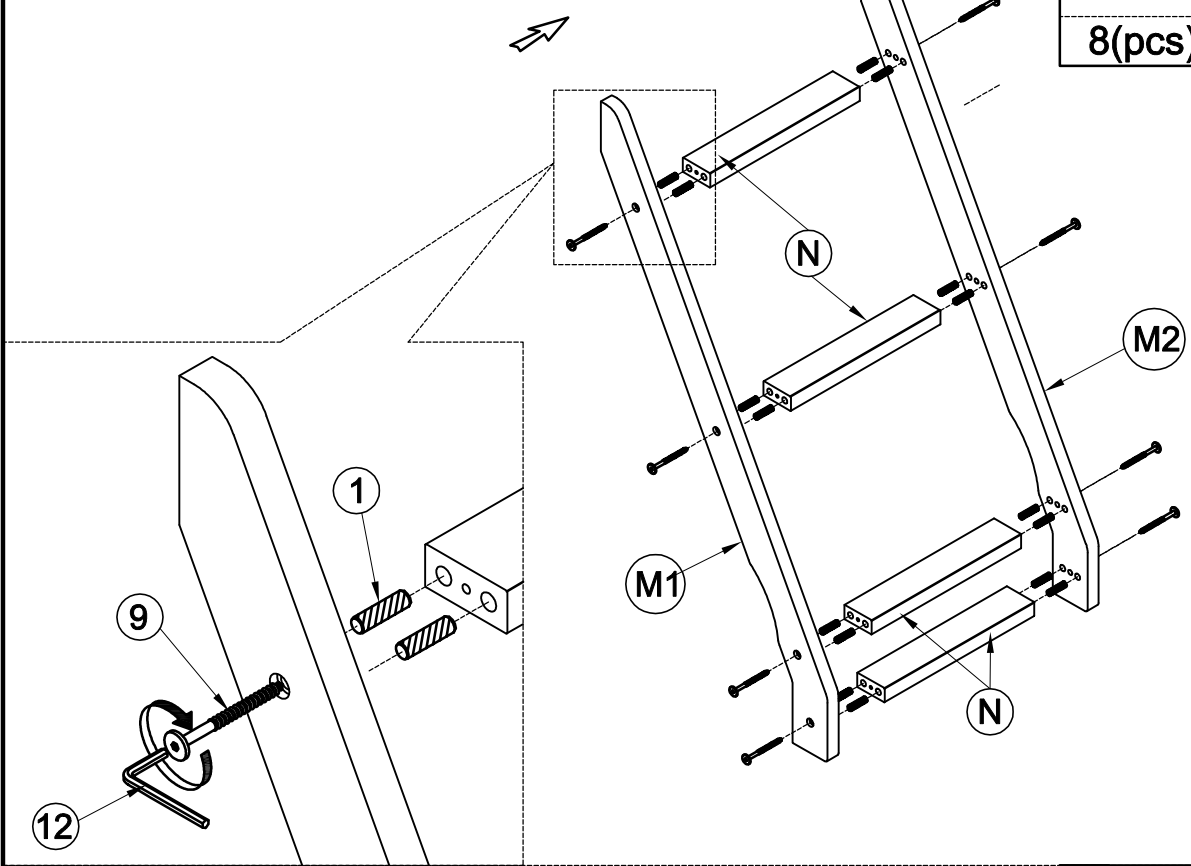


3


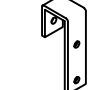


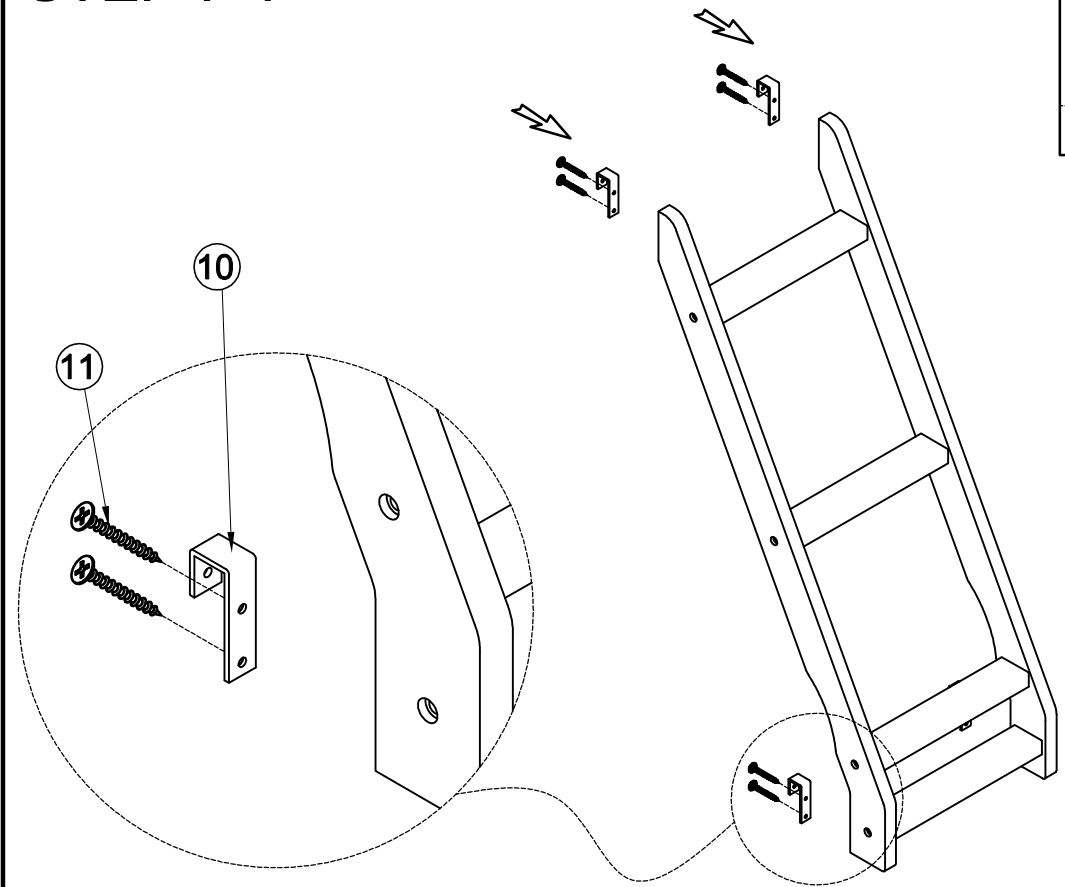
STEP 7-1

9	1
	
8(pcs)	16(pcs)

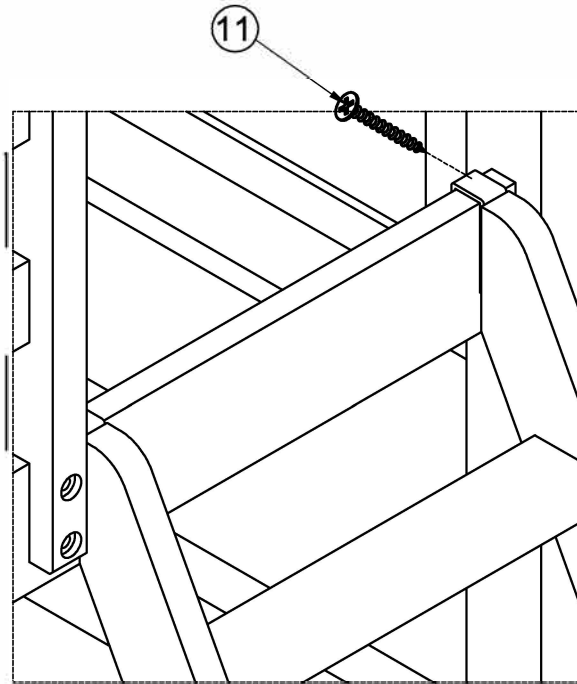


STEP 7-1

11	10
	
8(pcs)	4(pcs)



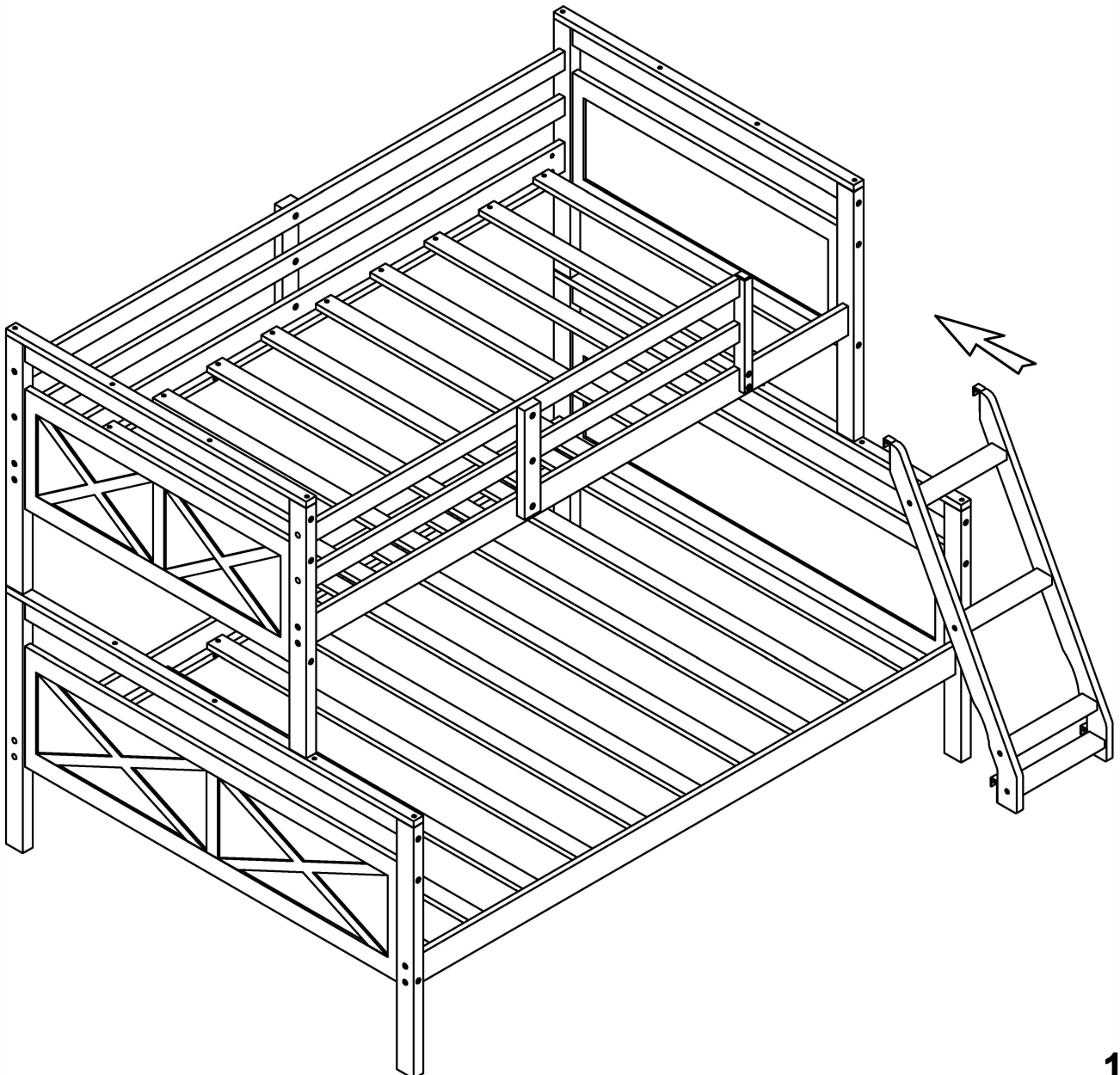
STEP 8



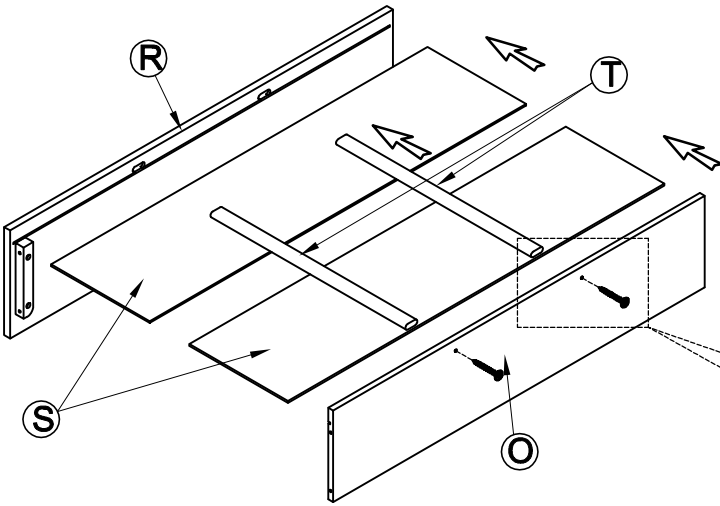
11



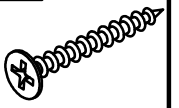
4(pcs)



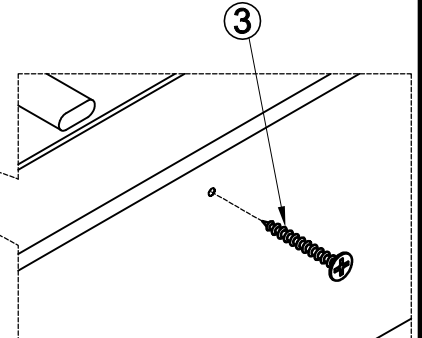
STEP 9-1



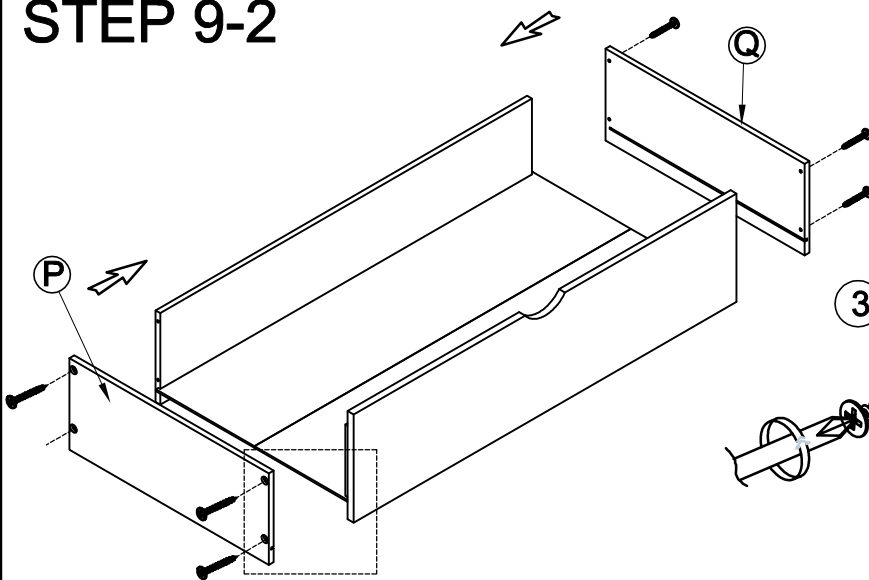
3



2x2(pcs)

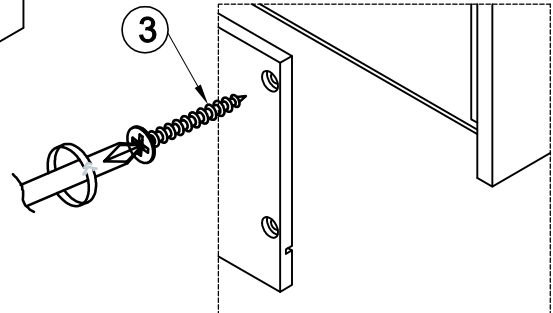


STEP 9-2

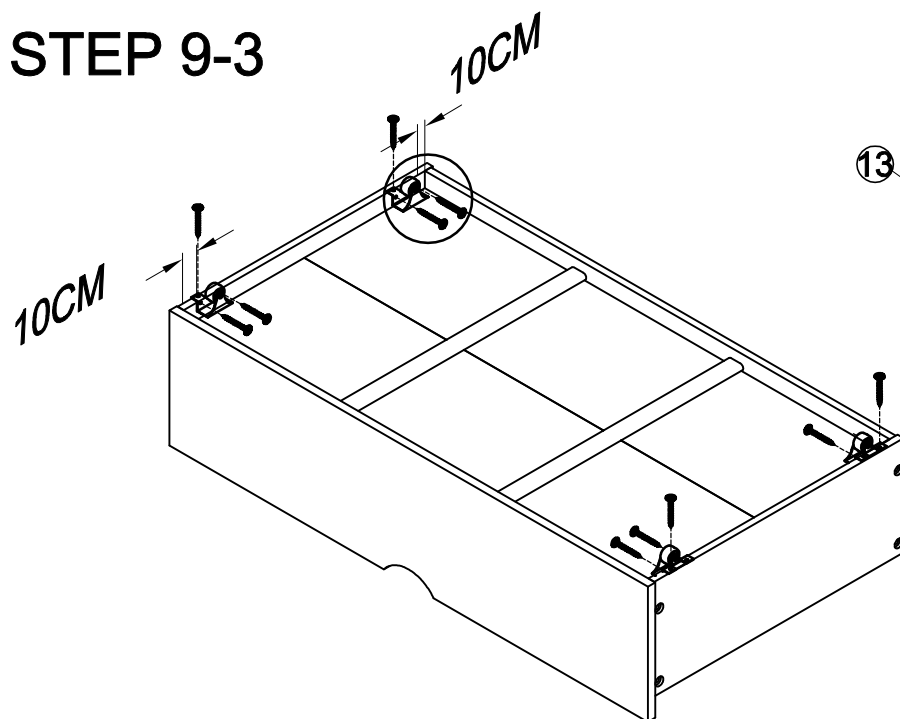


3

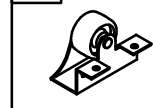
8x2(pcs)



STEP 9-3



14



2x4(pcs)

13



2x12(pcs)

