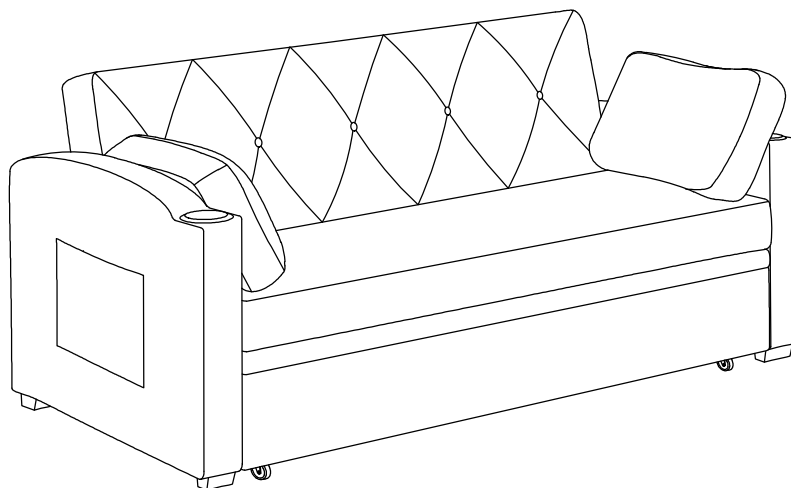
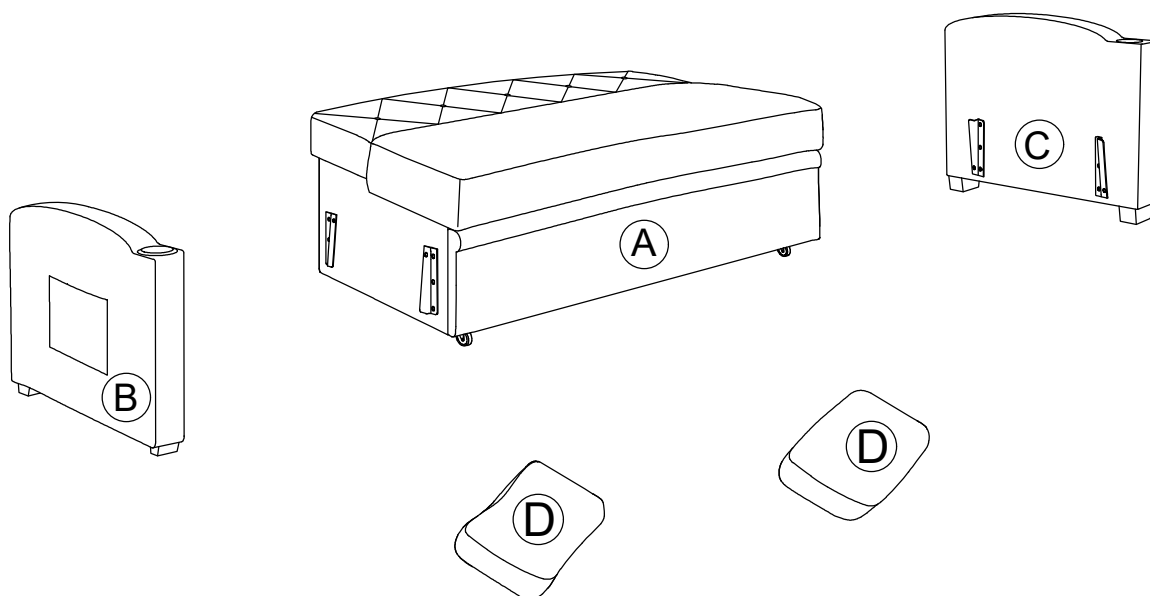


ASSEMBLY INSTRUCTION

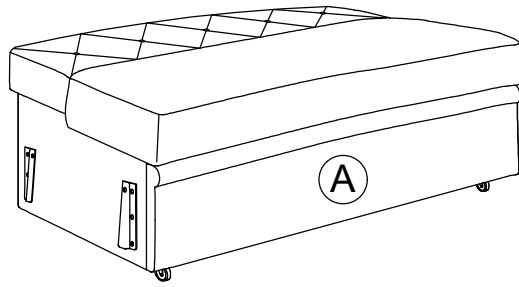
ITEM NO.: WF307725



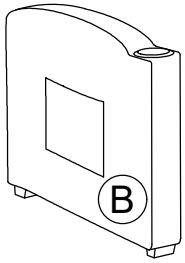
PARTS



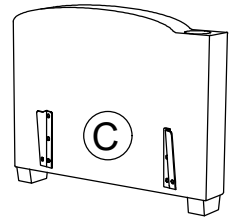
PARTS LIST



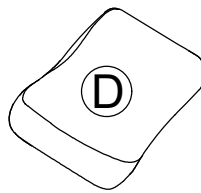
Chair Body
X 1PC



Left Facing Arm
X 1PC

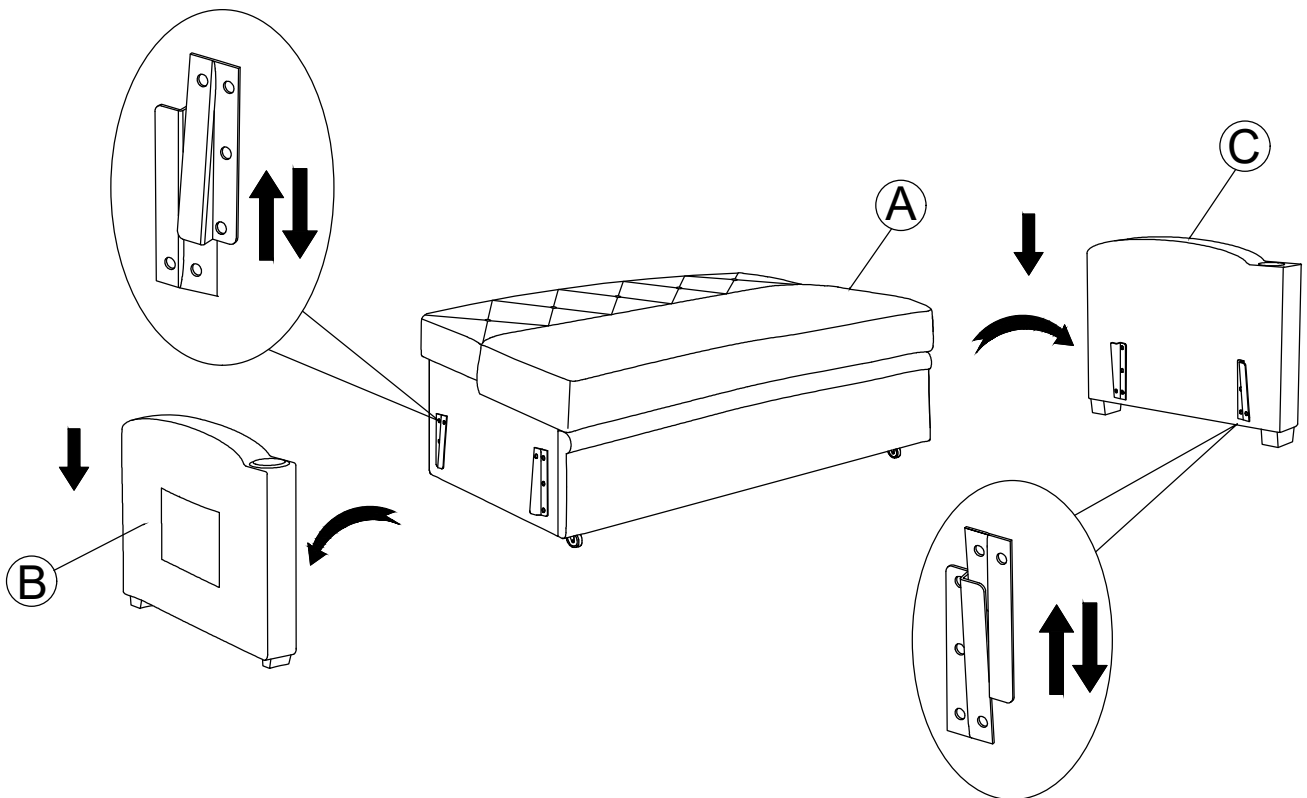


Right Facing Arm
X 1PC



Pillow
X 2PCS

STEP 1:



Helpful Hints

- Sofa can transform into a sleeper.
- Move your new furniture carefully, with two people lifting and carrying the unit to its new location.
- Your furniture can be disassembled and reassembled to move.
- Clean the product with a soft damp cloth. **DO NOT** use harsh chemicals or abrasive cleaners.

