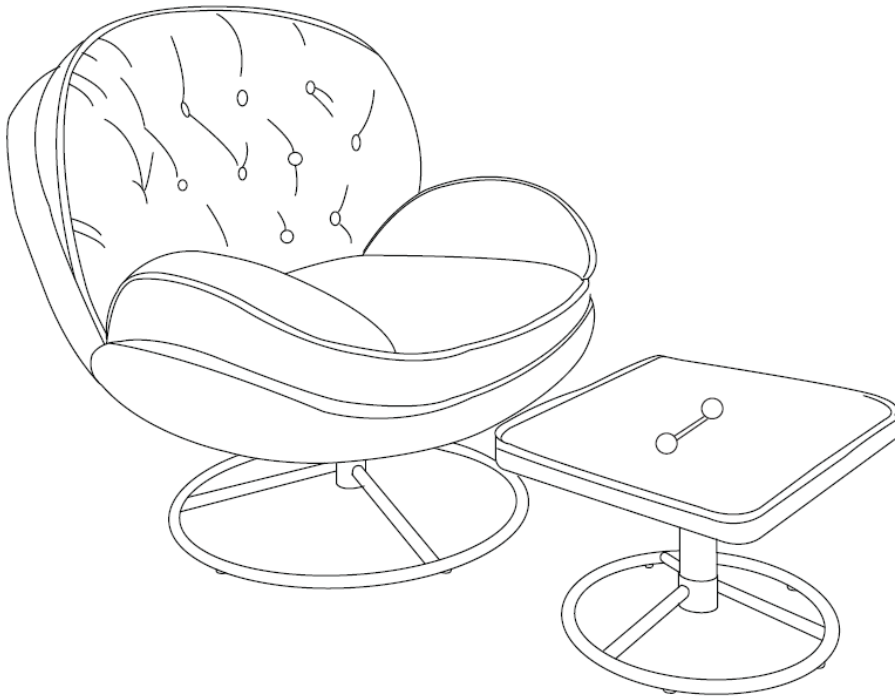
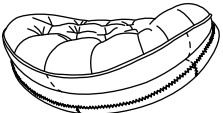







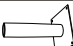


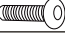

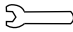
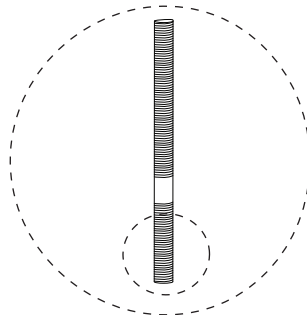
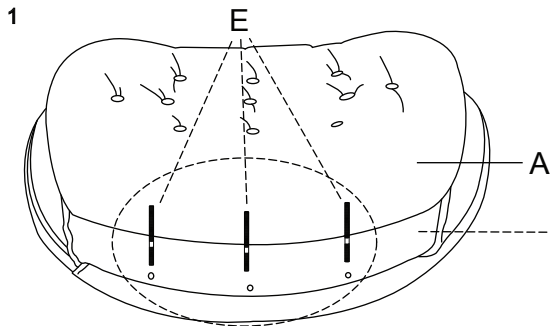


Assembly Instruction Sheet

CAUTION: Some edges of the parts maybe sharp before assembly. Please handle unassembled parts with care.

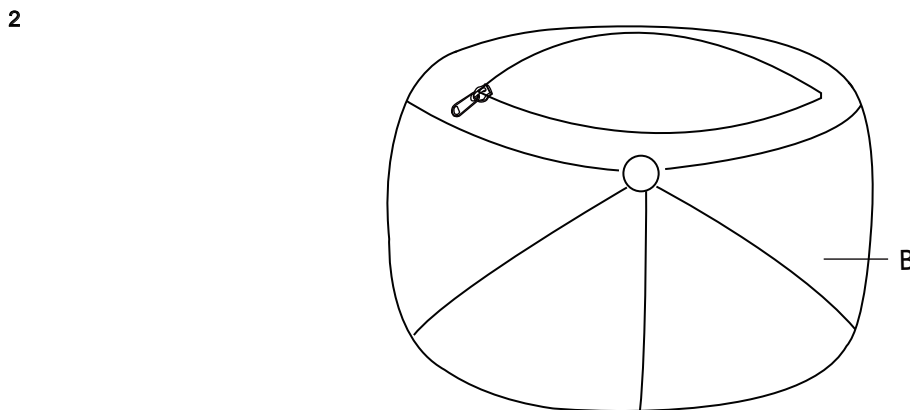


Parts List	Qty
A 	1
B 	1
C 	1
D  BIG	1
E  M8*100mm	3
F  M8	3
G  M8*22*1.5mm	3
H  M8	3
I 	1
J 	1
K  SMALL	1
L  M6*18mm	4
M  5#	1
N 	1



Note: Only screw in the shortest threaded part of the Bolts

STEP 1: place chair back (A) on a clean padded surface, fasten bolt (E) to insert on bottom edge of the chair back (A)

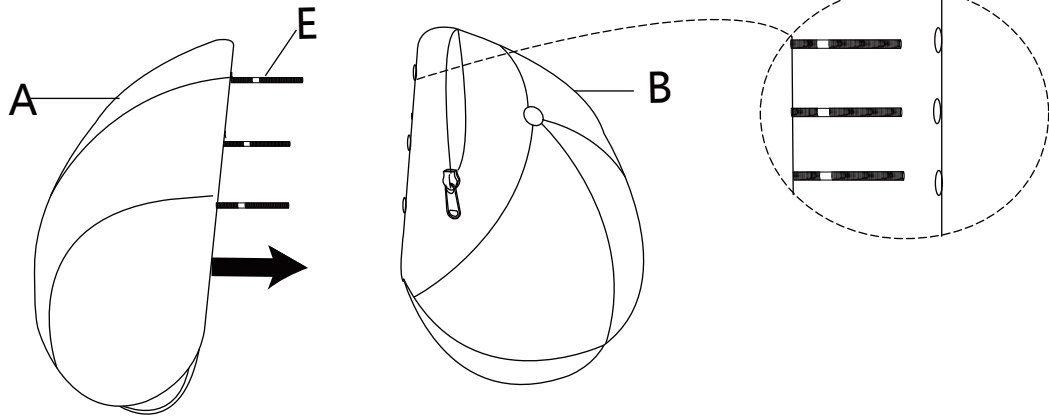


STEP 2: Open zipper pocket under the chair seat (B)

Never shake or handle the product roughly.
Do not wipe with a damp cloth or abrasive materials.
Store indoors after cleaning when not used.

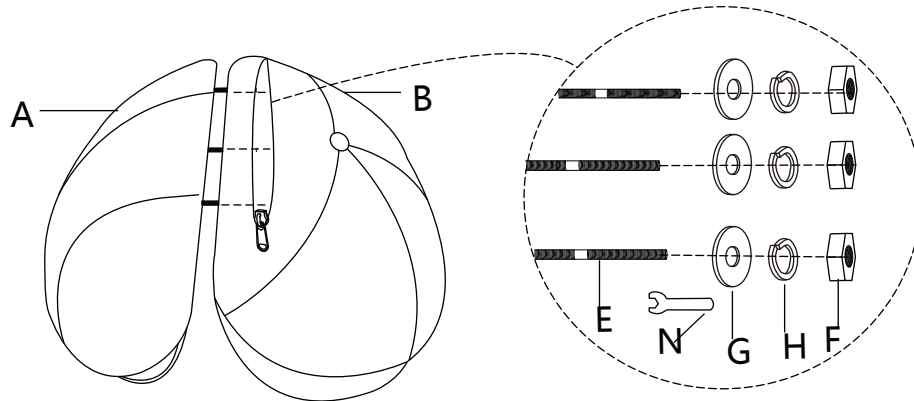
Assembly Instruction Sheet

3



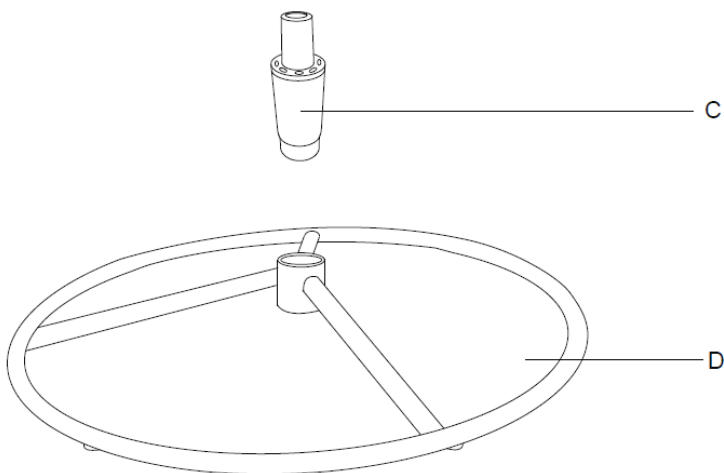
STEP 3: Carefully align then insert bolts through holes on edge of chair seat (B)

4

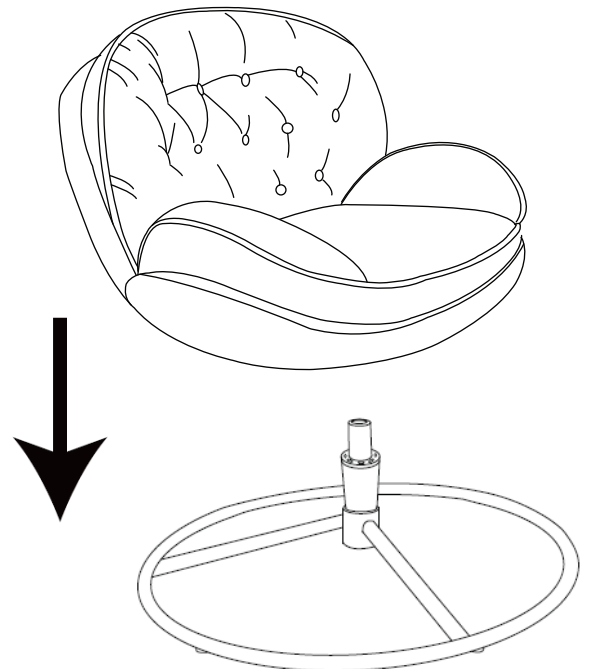


STEP 4: Pierce the non-woven fabric on the inside of chair B
Attach flat washer (G), spring washer (H), hex nut (F) to bolts (E)
then fasten to secure.

5



6



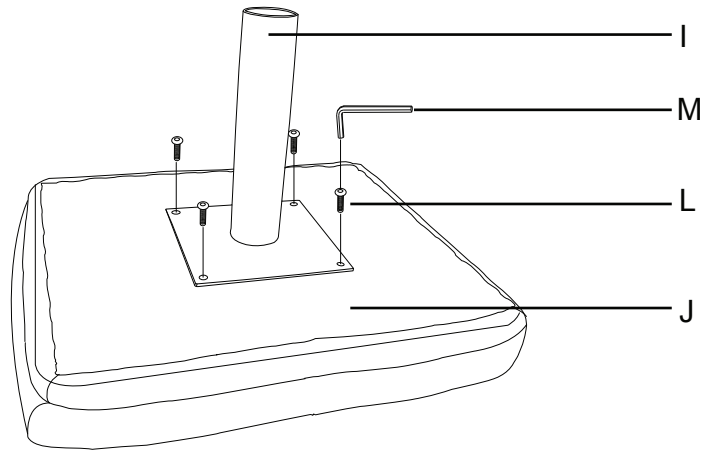
Never shake or handle the product roughly.

Do not wipe with a damp cloth or abrasive materials.

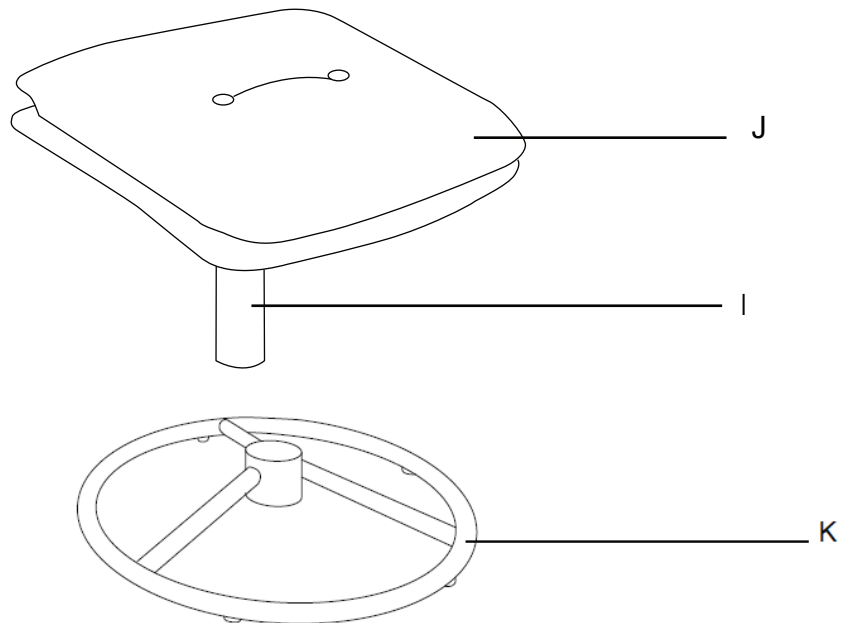
Store indoors after cleaning when not used.

Assembly Instruction Sheet

7



8



Never shake or handle the product roughly.
Do not wipe with a damp cloth or abrasive materials.
Store indoors after cleaning when not used.