

## USER'S MANUAL

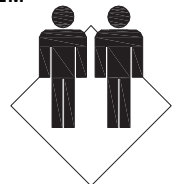
### **3 Pcs Wicker Set**

THIS INSTRUCTION BOOKLET CONTAINS **IMPORTANT** SAFETY INFORMATION. PLEASE READ AND KEEP FOR FUTURE REFERENCE.

**Please give us a chance to make it right and do better!**

Contact our friendly customer service department for help first.  
Replacements for missing or damaged parts will be shipped ASAP!

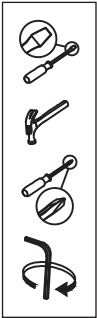
**FLOOR AREA  
2MX2M**



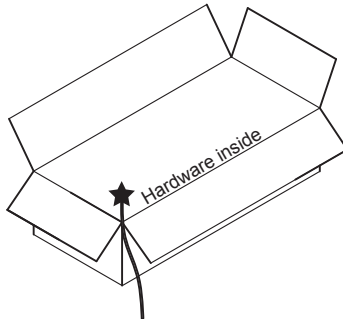
**ASSEMBLED BY 2 ADULTS**

---

# Before You Start



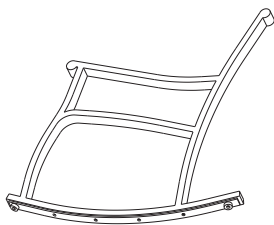
- ⚠ Read each step carefully before starting. It is very important to ensure each step followed in correct order, otherwise assembly difficulties may occur.
- ⚠ Most of board parts are labeled or stamped on the raw edges. Have a check to make sure all parts are included.
- ⚠ Work in a spacious area, preferably on a carpet close to where the unit will be used.
- ⚠ Keep the handtools close at hand. Do not use power tools to assemble your furniture. They may scratch or damage the parts.



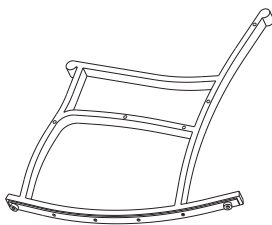
---

# Board Identification

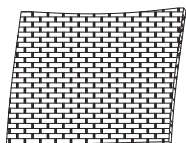
Not actual size



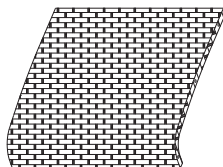
Left Arm x 2



Right Arm x 2



Back x 2

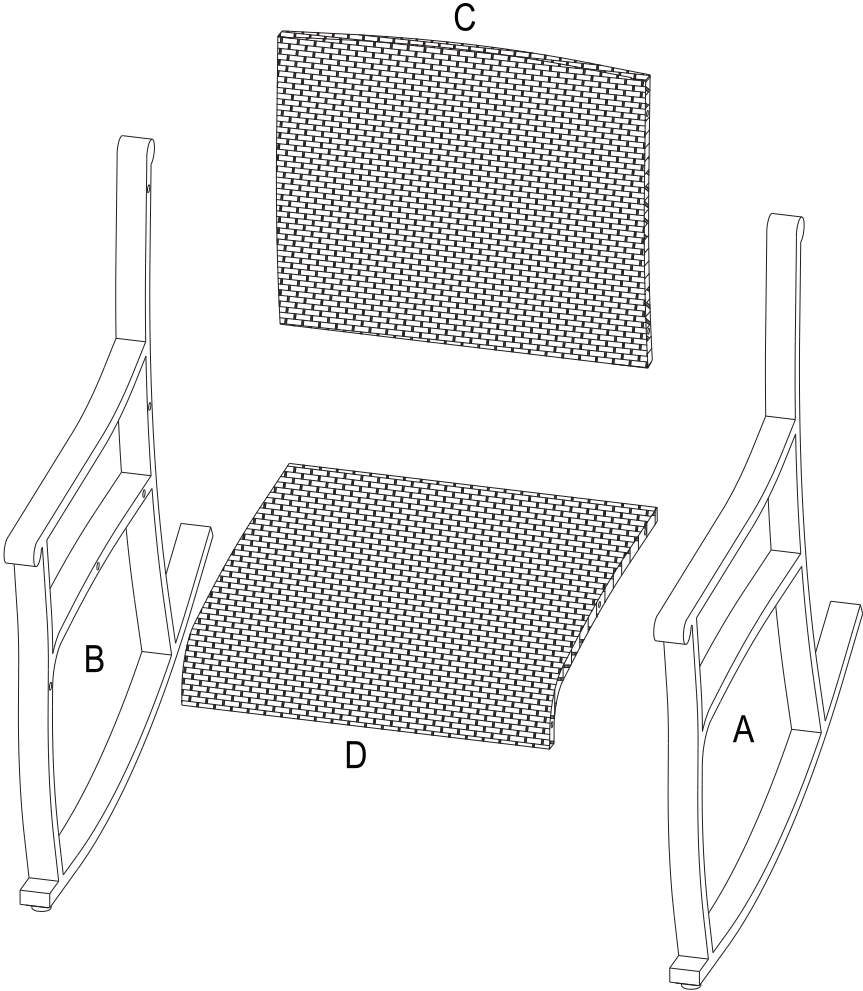


Seat x 2

---

# Board Identification


Not actual size




---

# Hardware List

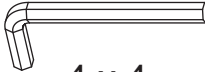
Actual size

	
M6 x 35mm	
(J)	x 20

BOLT

	
M6	
(K)	x 20

WASHER

	
4 x 4	
(L)	x 1

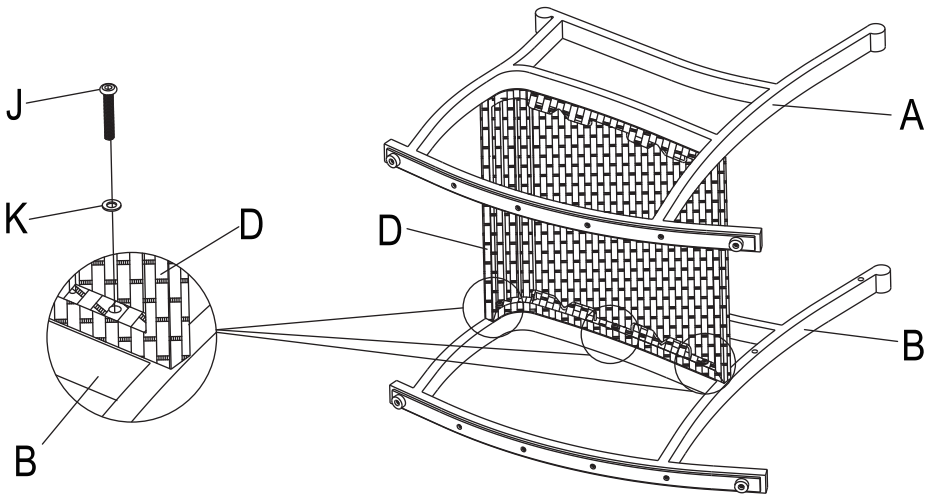
ALLEN WRENCH

---

## STEP 1

Attach the seat (D) to the arm (B) by inserting bolts (J) with washers (K) through the pre-drilled holes on the seat into the pre-welded nuts on the arm. Repeat step for the other side arm (A).

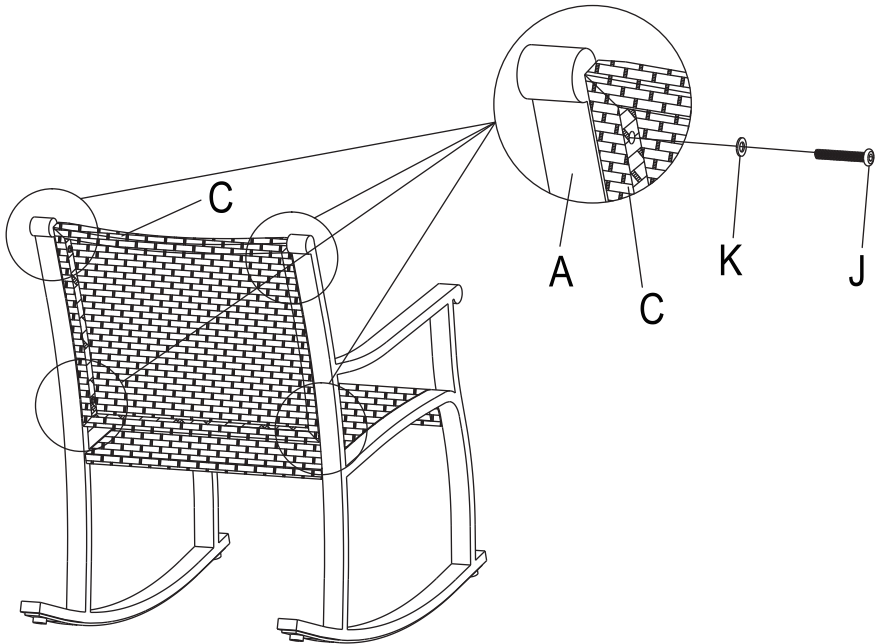
**IMPORTANT: Do not tighten completely until assembly is completed.**



---

## STEP 2

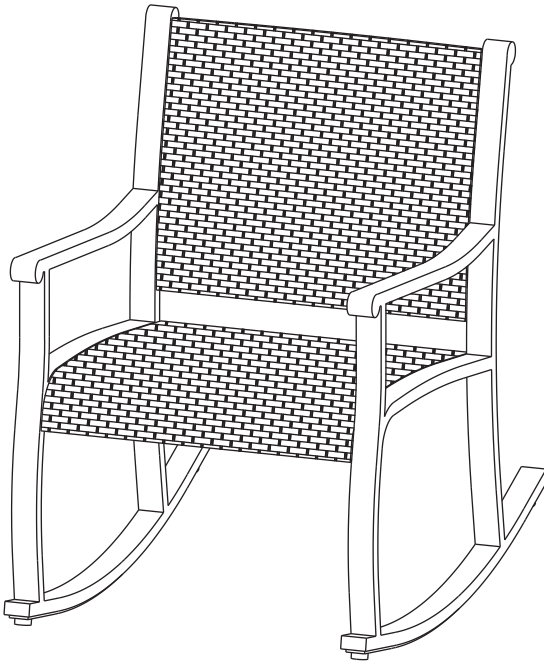
Attached the back(C) to the arm (A&B) by inserting bolts (J) with washers (K).



---

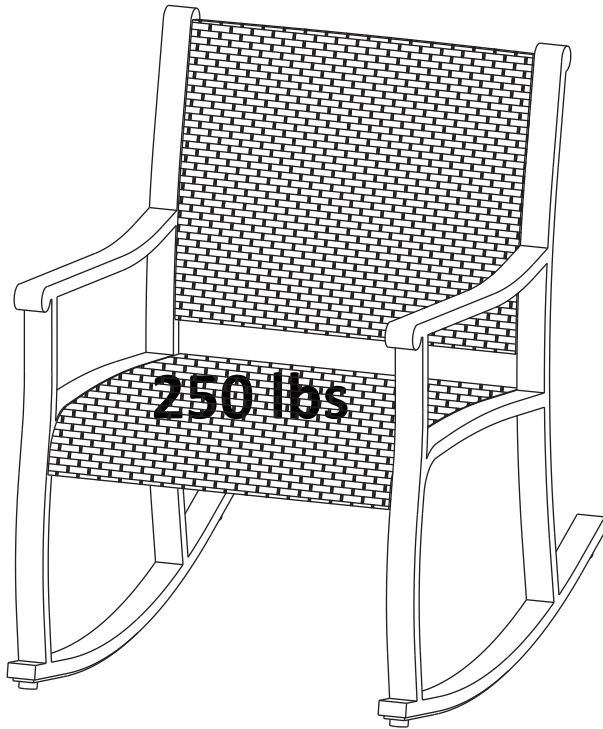
## STEP 3

Tighten all the bolts with the allen wrench, and turn the chair to the upright position. Your chair is now ready for use.



---

# Maximum Loads



This item is only suitable within the specified maximum load-bearing. Heavier loads than the indicated load capacity may cause instability, resulting in possible injuries.

---

# Board Identification

Not actual size

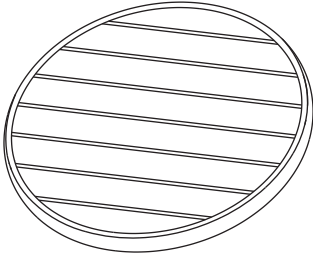
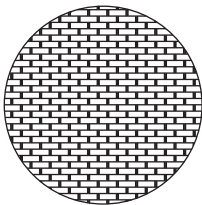


Table Top x 1



Table Leg x 4

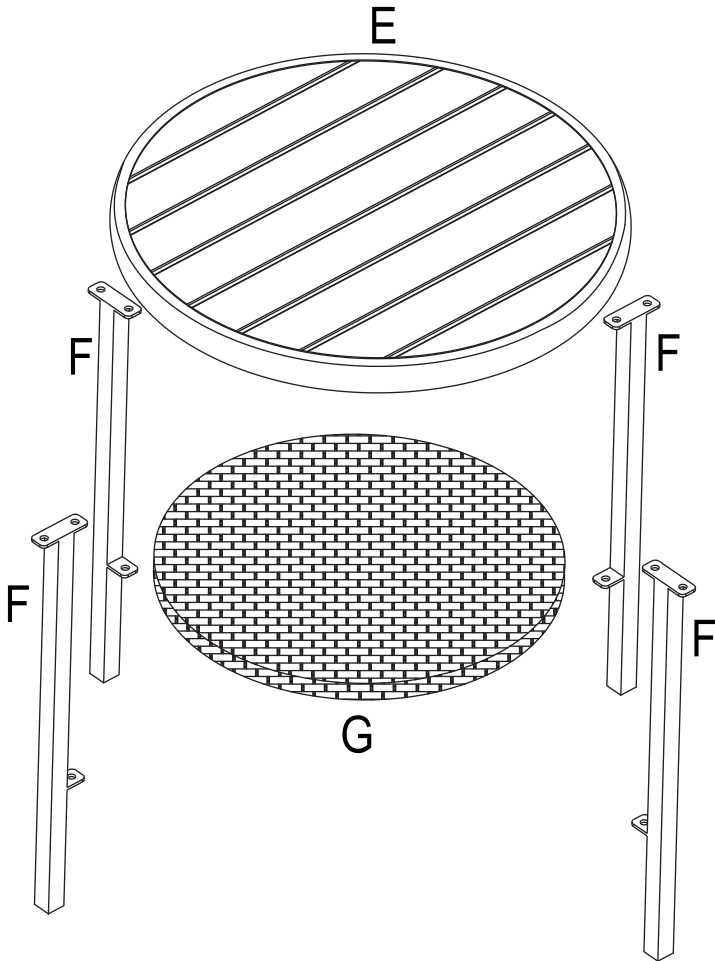


Resin Shelf x 1

---

# Board Identification

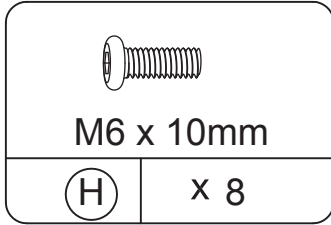
Not actual size



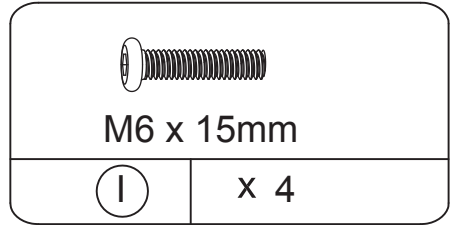
---

# Hardware List

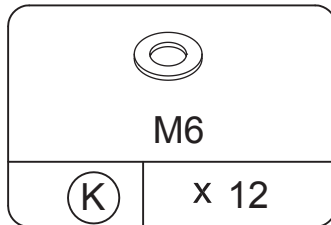
Actual size



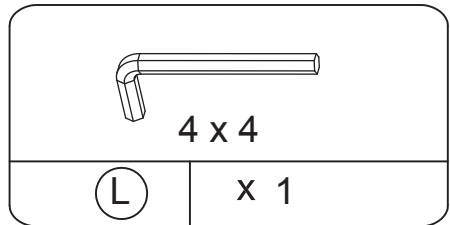
BOLT



BOLT



WASHER



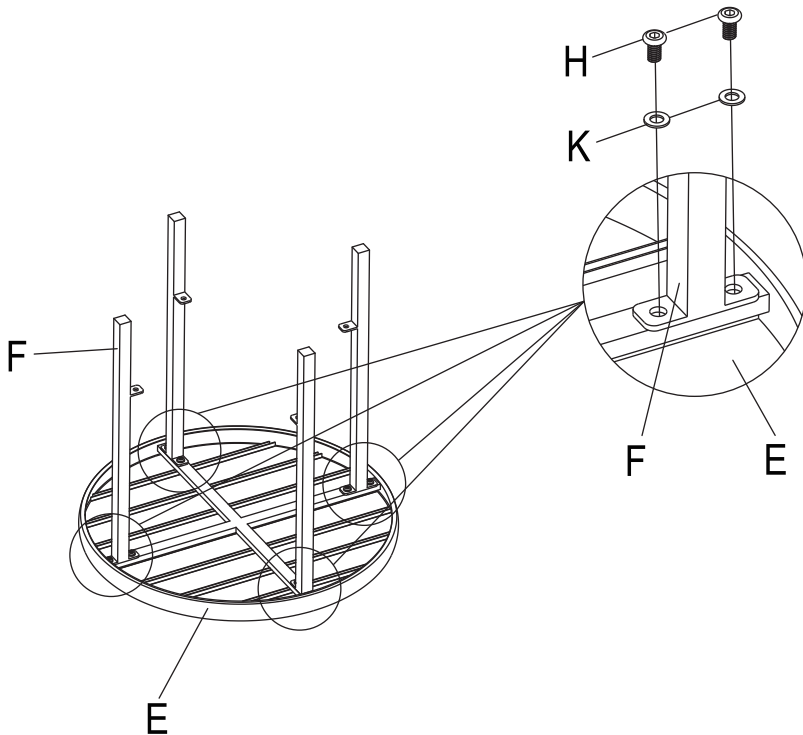
ALLEN WRENCH

---

## STEP 1

Attached the leg(F) to the table top (E) by inserting bolts (H) with washers (K).

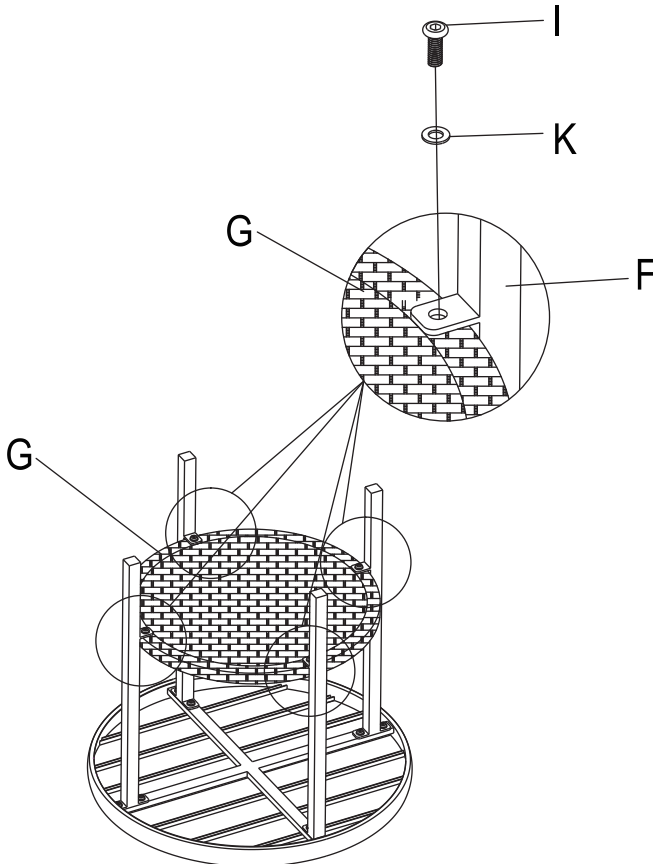
**IMPORTANT:Do not tighten completely until assembly is completed.**



---

## STEP 2

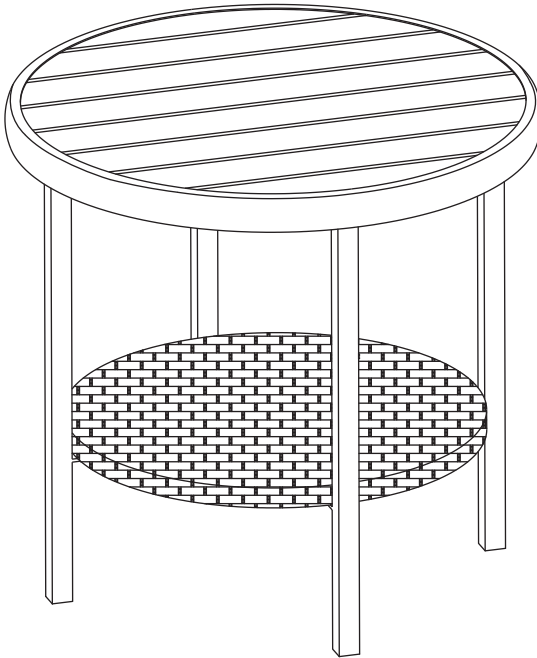
Attached the leg(F) to the resin shelf (G) by inserting bolts (I) with washers (K).



---

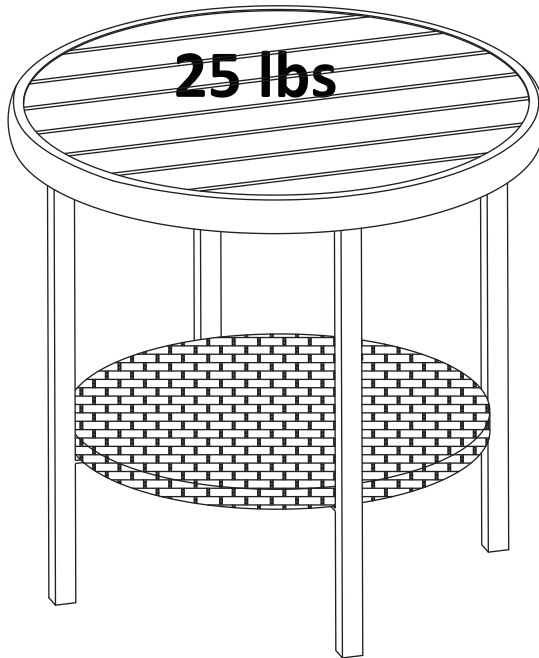
## STEP 5

Tighten all the bolts with the allen wrench, and turn the table to the upright position. Your table is now ready for use.



---

# Maximum Loads



## **⚠ WARNING**

This item is only suitable within the specified maximum load-bearing. Heavier loads than the indicated load capacity may cause instability, resulting in possible injuries.

---

## Care and Maintenance

Use a soft, clean cloth that will not scratch the surface when dusting.

Use of furniture polish is not necessary.

Should you choose to use polish, test first in an inconspicuous area.

Using solvents of any kind on your furniture may damage the finish.

Never use water to clean your furniture as it may cause damage to the finish.

Liquid spills should be removed immediately. Using a soft clean cloth, blot the spill gently. Avoid rubbing.

Check bolts/screws periodically and tighten them if necessary.

## Further advice about wood furniture care

Please protect your outdoor furniture with a cover when not in use since Long-term sunlight exposure will result in the damage on the surface.

In addition to sunlight damage, wood and metal frame suffers when exposed to extremes in temperature and humidity.

Proper care and cleaning at home will extend the life of your purchase.

Following these important and helpful tips will enhance your furniture as it ages.