

JOB NAME _____

CONTACT _____

ORDERING CODE _____

ADA LM-79

ORDERING CODE		
SERIES	EXT	exterior
TYPE	EUD	eclipse up and down, 18.5W, 565lm up, 565lm down
CCT	30K	3000K
CRI	90	90 CRI
VOLTAGE	UNV	120V-277V
FINISH	BK	anthracite

OUTDOOR ECLIPSE

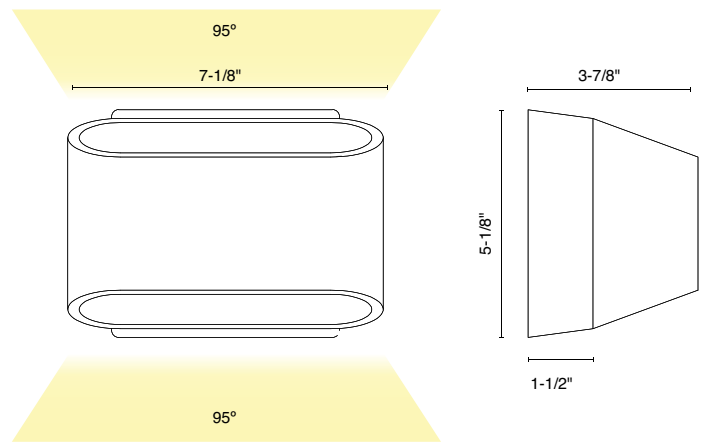
Up and Down IP65 Wall



BK

ORDERING CODE _____

Follow the steps to specify your fixture, example:
EXT - EUD - 30K - 90 - UNV - BK



DESCRIPTION

The Outdoor Eclipse is an exterior sconce made of extruded aluminum. Its contemporary organic design allows for a modern look with a warm glow illuminating the wall both up and down. Outdoor Eclipse includes an on-board driver. 5" canopy is easily surface mounted to cover a standard junction box. It is offered in anthracite finish.

HOUSING

- Extruded aluminum housing in anthracite.

MOUNTING

- Mounts to 3-1/2" to 4" octagonal or 4" square recessed junction box.

ELECTRICAL/CONTROLS

- Integrated LED Module
- Non-dimmable

LISTING

- ETLus Listed to UL1598 (suitable for wet locations)
- cETL Listed to CSA C22.2 #250.0
- ADA Compliant
- BUG Rating: B1 - U4 - G0

LED INFO

- LED: Zigen ZGIBGX30KHO
- SDCM: 3-step MacAdam Ellipse
- Lumen Maintenance: L₇₀ > 50,000 hrs
- Warranty: 5 year limited warranty