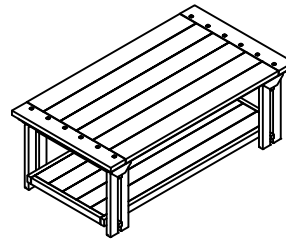


ASSEMBLY INSTRUCTIONS

174-910



TOOLS REQUIRED:

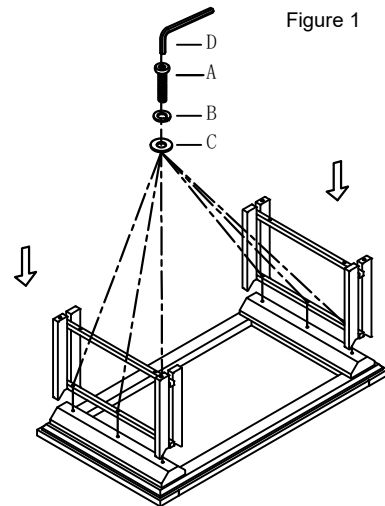
Allen Wrench (Provided, Part D)
Screwdriver (Not Provided)

BEFORE YOU START:

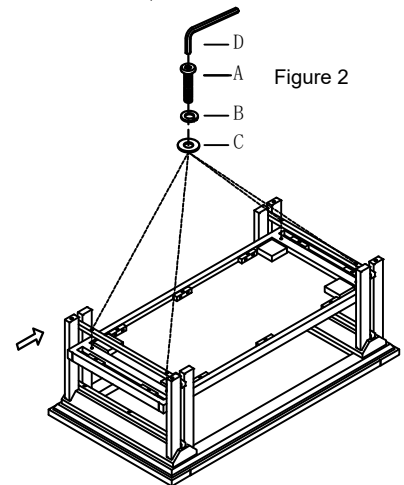
1. Check the hardware against the hardware list to make sure all items are present.
2. Assemble your furniture on a soft, flat surface to avoid scratching the finish.
3. **CAUTION:** Do not over tighten screws, nuts or bolts during assembly.
4. Your furniture may require occasional tightening.

INSTRUCTIONS:

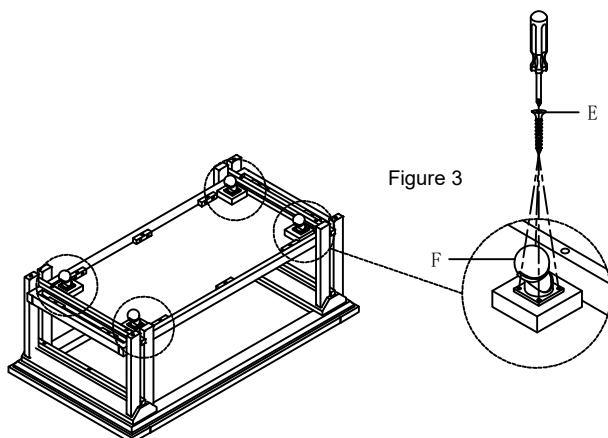
Step 1. Turn the top upside down on a clean soft surface. Place two support leg frames to make the holes are aligned with the hole on top frame. Tighten Bolt (A) with Flat Washer (C)+Lock Washer (B) by Allen Wrench (D) as shown in Figure 1.



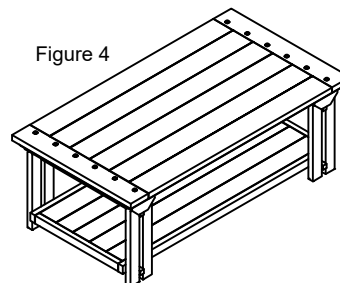
Step 2. Place the bottom shelf to legs and tighten Bolt (A) with Flat Washer (C)+Lock Washer (B) by Allen Wrench (D) as shown in Figure 2.



Step 3. Tighten four Caster (F) with Screw (E) by screwdriver as shown in Figure 3.



Step 4. Tighten all bolts and set table back upright as shown in Figure 4.



HARDWARE LIST			
A		Bolt (Ø1/4"x1-1/2")	10pcs
B		Lock Washer (Ø1/4")	10pcs
C		Flat Washer (Ø1/4")	10pcs
D		Allen Wrench (100*50*4mm)	1pc
E		Screw (Φ8x5/8")	16pcs
F		Caster (Φ50*H64mm)	4pcs