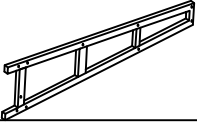
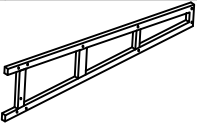
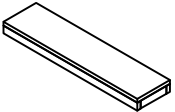
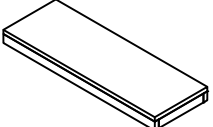
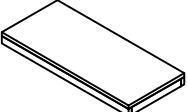
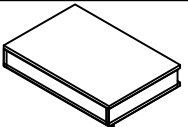
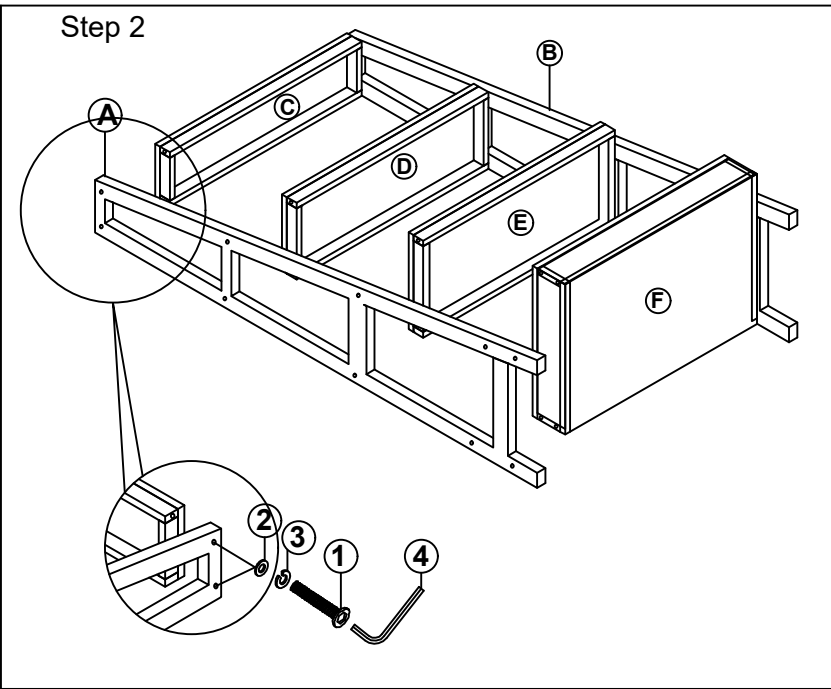
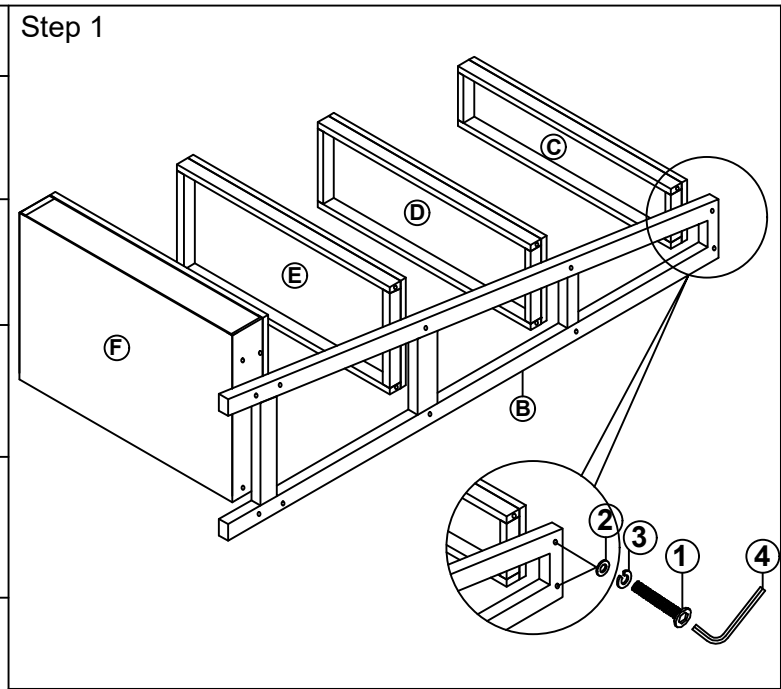


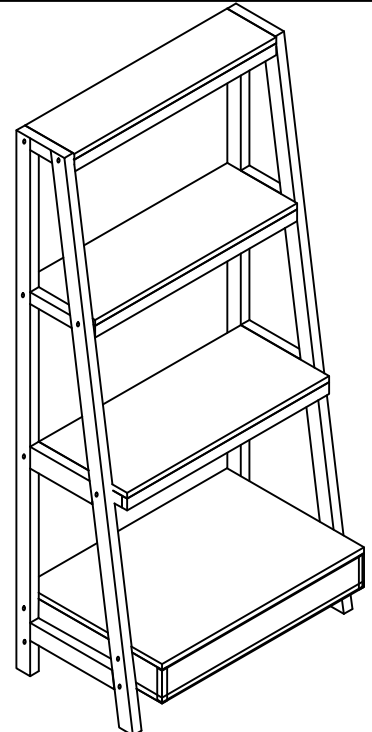
ASSEMBLY INSTRUCTION




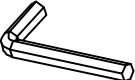
81980-DS-Ladder Shelf

No	Name of Component	Q.ty
(A)		1
(B)		1
(C)		1
(D)		1
(E)		1
(F)		1



Final



No	Name of Hardware	Q.ty
(1)	 Bolt 5/16 x 50	20
(2)	 Washer Ø13/Ø8 x 1.2	20
(3)	 Spring Washer Ø12/Ø8 x 1.2	20
(4)	 Allen key K4	1