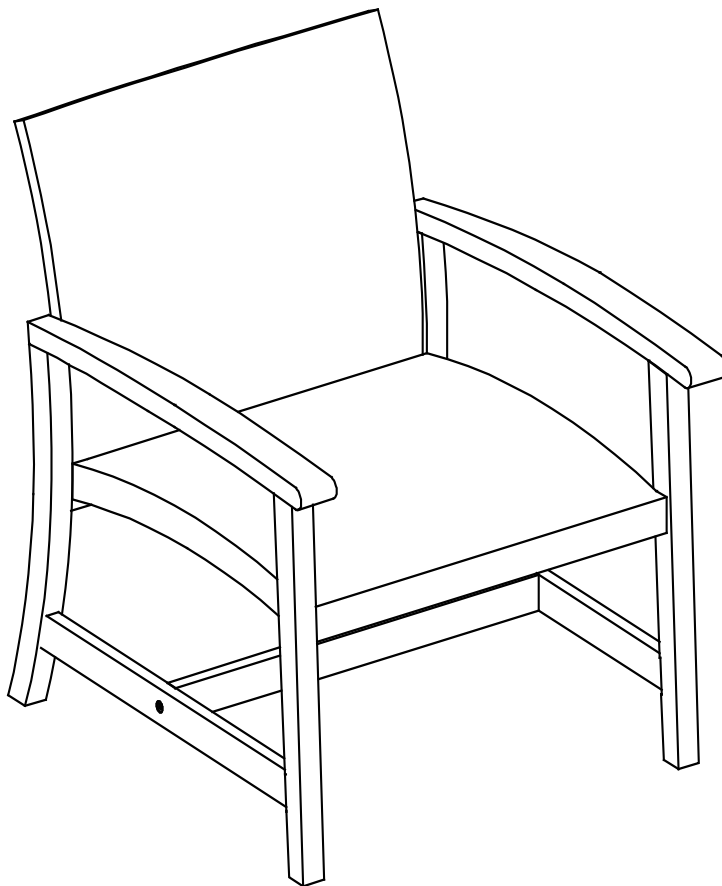


# Assembly Instructions

**Caution: You must read this before you proceed**

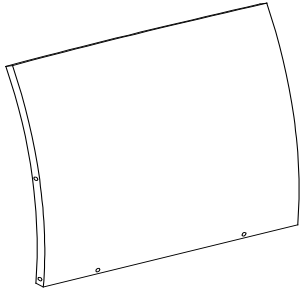
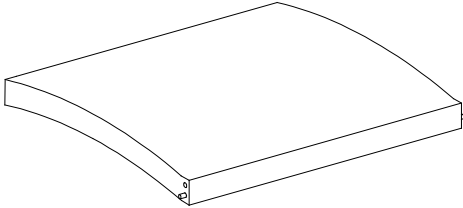
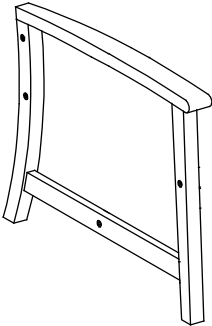
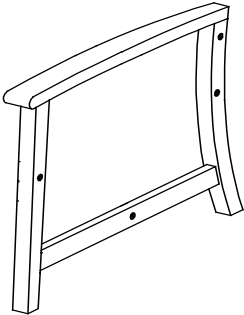
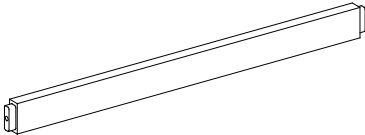
## Chair



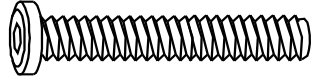
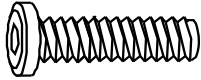



**Caution:** This Chair is NOT a TOY.

Keep your child/children at bay during the assembly process of assembly. Whenever lifting/moving the Chair and to prevent damage to the Chair, two adults are needed to execute these actions

# Part List

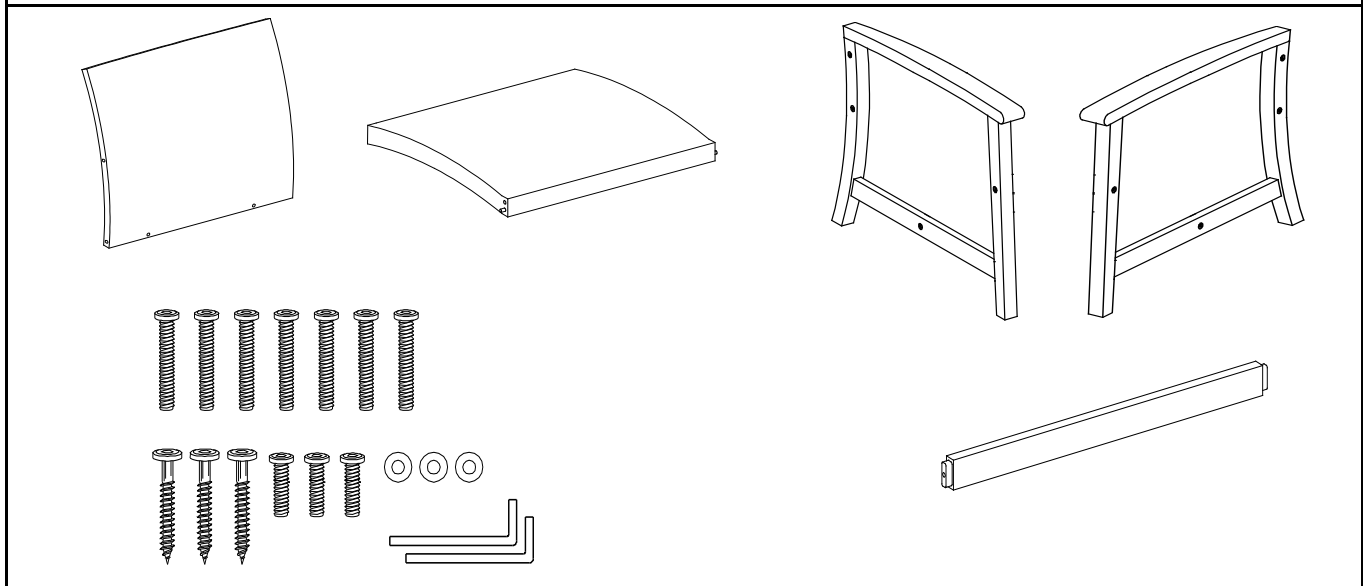
Label	Picture	Description	QTY
A	 A curved rectangular panel with four small circular holes, one on each side near the bottom edge.	Backrest Panel	1
B	 A rectangular panel with a curved front edge and a beveled bottom edge.	Seat Panel	1
C	 A wooden leg assembly consisting of a curved backrest support, a vertical leg, and a horizontal support bar with two circular holes.	Right Leg Panel (with Levellers)	1
D	 A wooden leg assembly consisting of a curved backrest support, a vertical leg, and a horizontal support bar with two circular holes.	Left Leg Panel (with Levellers)	1
E	 A long, thin rectangular bar with a slightly tapered end on the left side.	Leg Support Bar	1

# Hardware

Label	Picture	Description	QTY
①		Bolt (M8x55mm)	7
②		Bolt (M8x25mm)	3
③		Screw (M7x60mm)	3
④		Washer (M8/18x1.5mm)	3
⑤		Allen Key	2

# Assembly Preparation

Before Beginning Assembly:



- Read instructions, cover to cover-



- Have 2 adults on hand for assembly-



- Do not assemble on flooring or carpet-



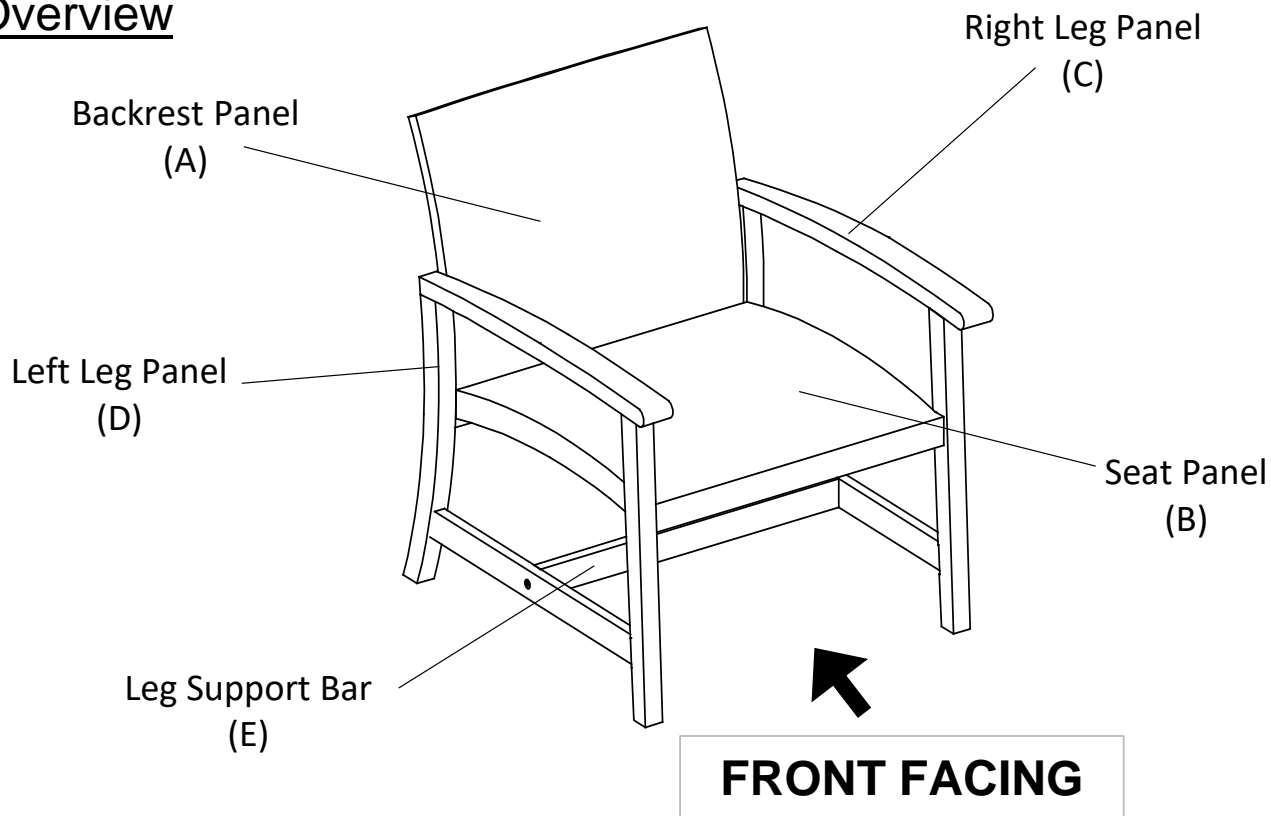
- Assemble on a clean non-marring surface (packing foam)-



- Save all packaging until finished-

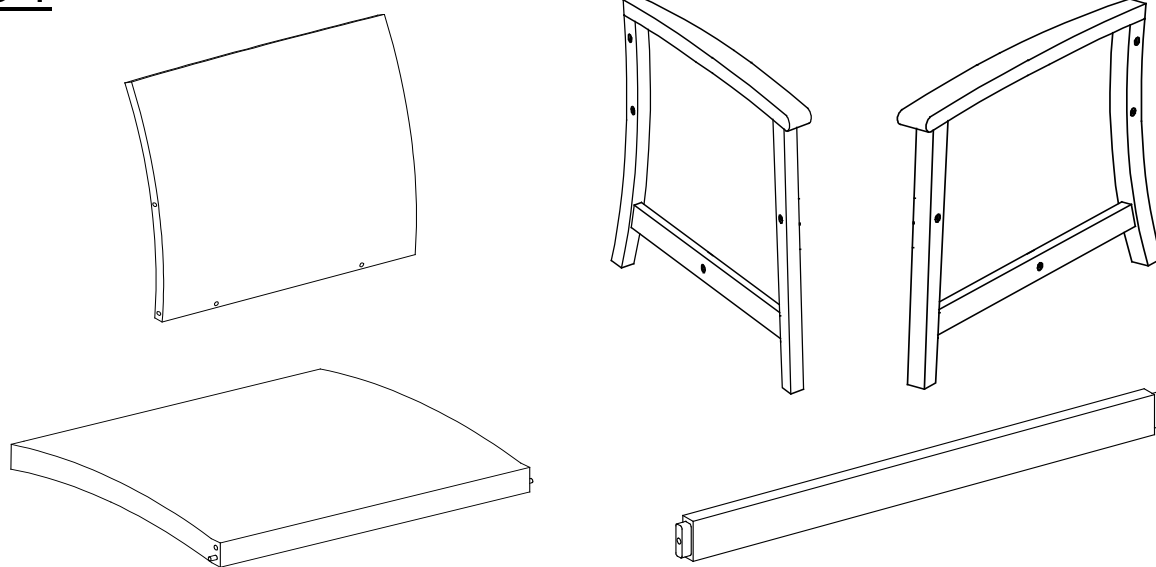
# Assembly Steps

## Overview



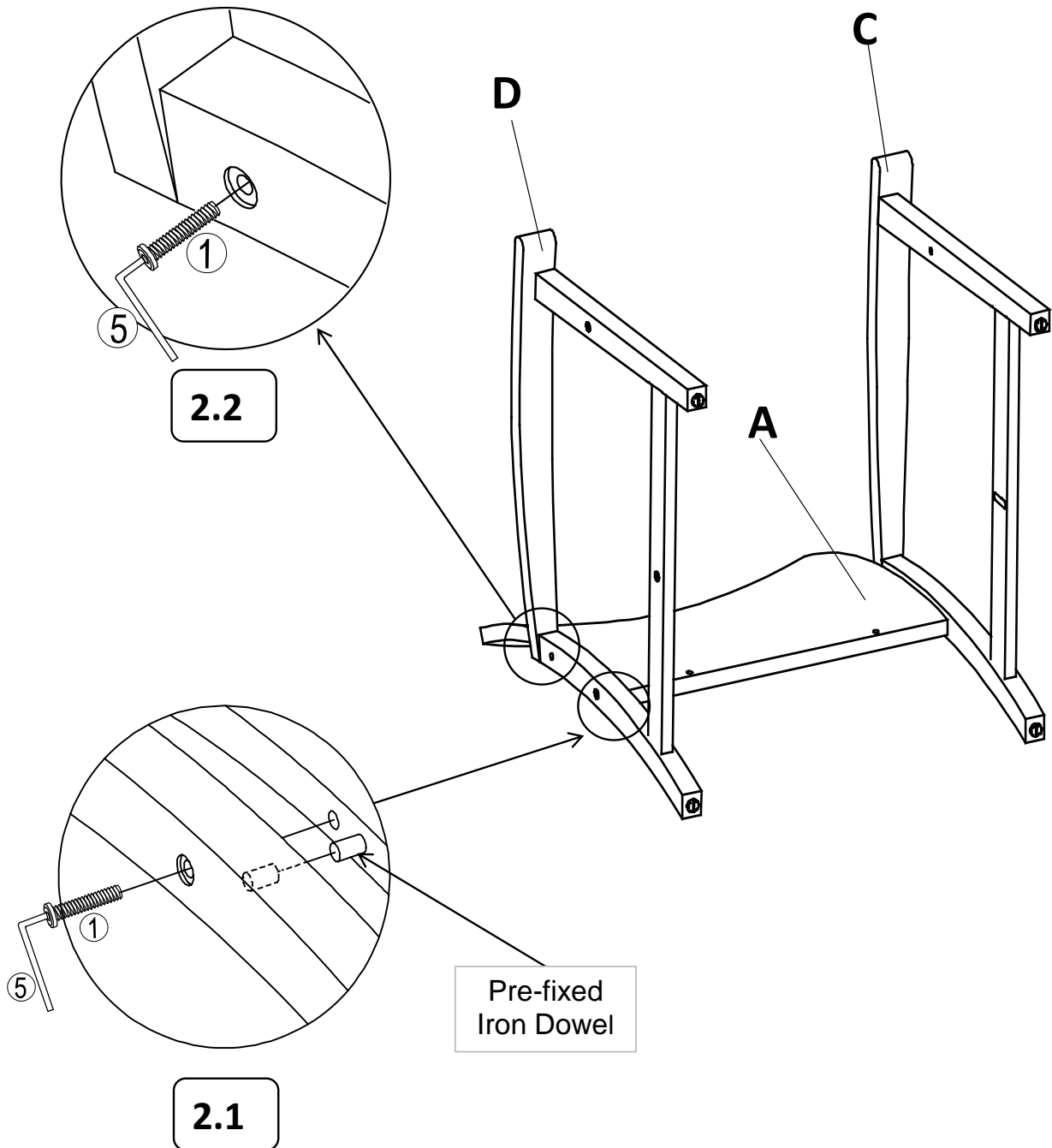
This Chair has multiple parts and may require up to 30 minutes to assemble. To give you an overview of the Chair parts, the above picture is to help you put the various parts into perspective. Please read through the instructions below to familiarise yourself with the parts and steps before assembly.

## Step 1



Unpack and place all parts on a clean, non-marring surface.

## Step 2



Lay the Backrest Panel(A) face up on a clean, non-marring surface.

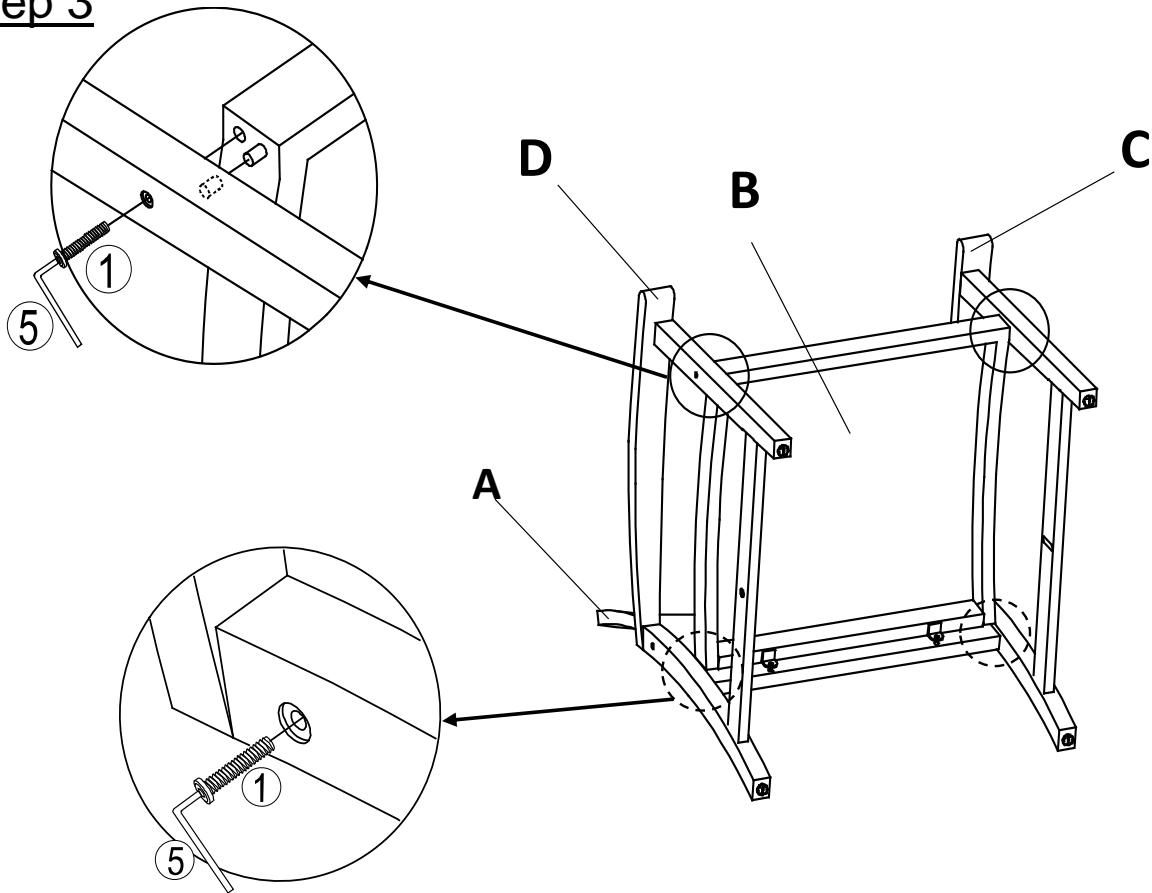
**2.1)** With assistance from your adult partners, insert housing of Left Leg Panel(D) into pre-fixed iron dowels on Backrest Panel(A) as picture above.

**2.2)** Attach Left Leg Panel(D) to Backrest Panel(A) using Bolts(①) with Allen Key(⑤).

**Do not fully tighten the Bolts.**

Repeat the same process to attach Right Leg Panel(C) to Backrest Panel(A).

### Step 3

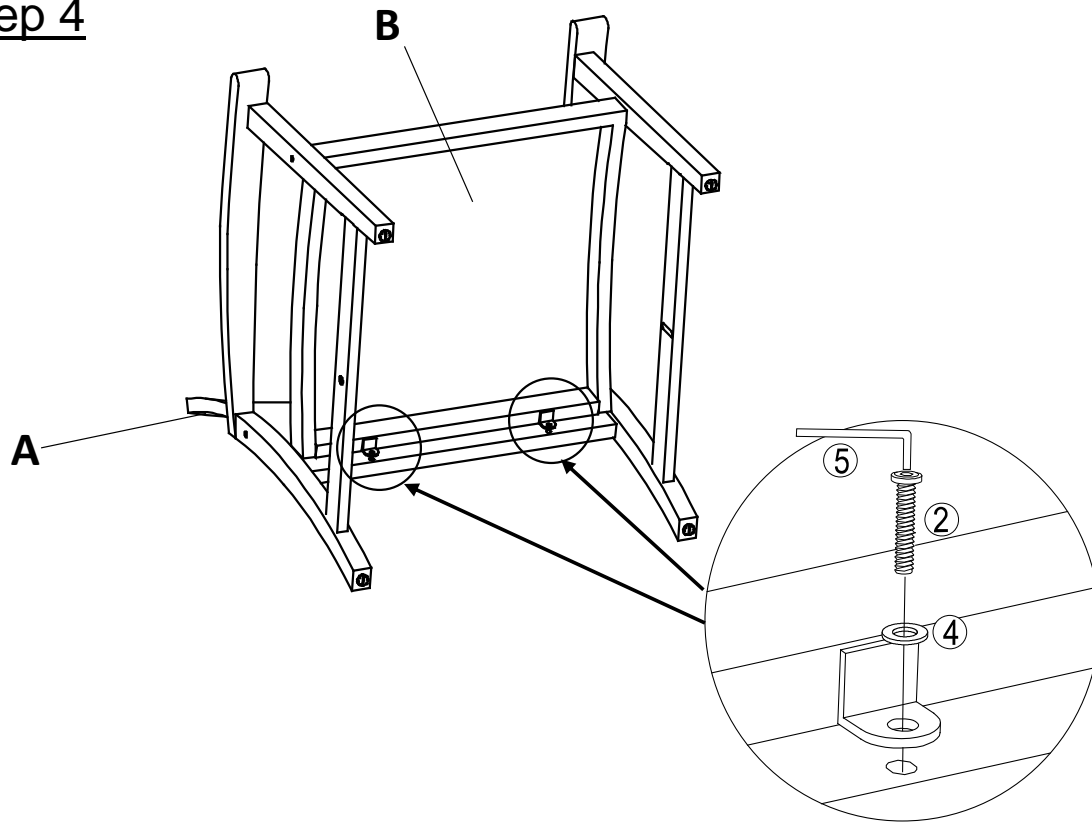


With assistance from your adult partner, put the Seat Panel(B) onto Sofa frame.  
Insert housings of Seat Panel(B) into pre-fixed iron dowels on Left Leg Panel(D) and Right Leg Panel(C) as picture above.

Attach Seat Panel(B) to Left Leg Panel(D) and Right Leg Panel(C) using Bolts(①) with Allen Key(⑤).

**Do not fully tighten all the Bolts**

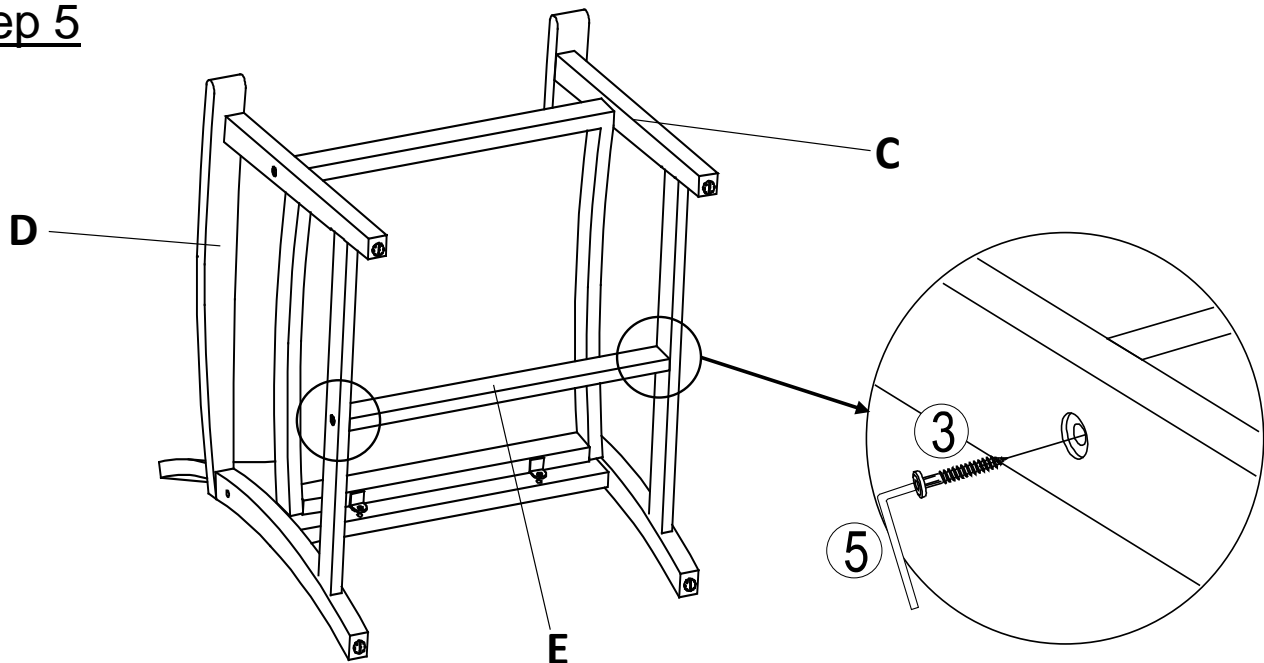
## Step 4



Attach Seat Panel(B) to Back Panel(A) using Bolts(②) and Washers(④) with Allen Key(⑤).

**Do not fully tighten the Bolts.**

## Step 5

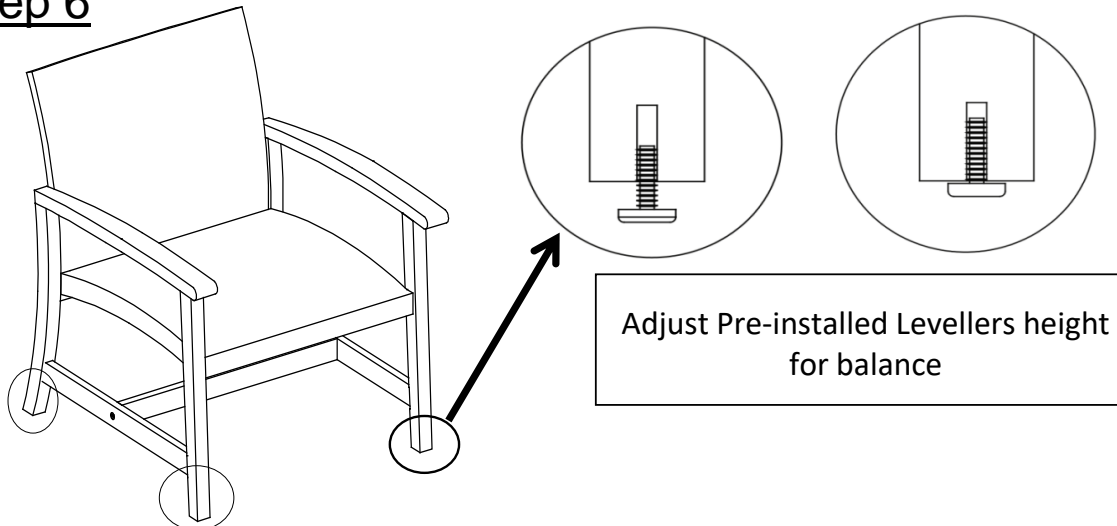


Attach Leg Support Bar(E) to Right Leg Panel(C) and Left Leg Panel(D) using Screws(③) with Allen Key(⑤) as shown above.

Note: You might need to apply a little pressure to the Leg Panels pushing outwards slightly to insert the Leg Support Bar(E).

**Do not fully tighten the Screws.**

## Step 6



With assistance from your adult partners, turn the Chair back to normal flat ground.  
Place the Chair on a **LEVEL** surface.

Inspect it and make sure all parts are adequately connected.

Gently and gracefully, sit onto the Chair.

This pressure will help to align all the parts at all joint areas.

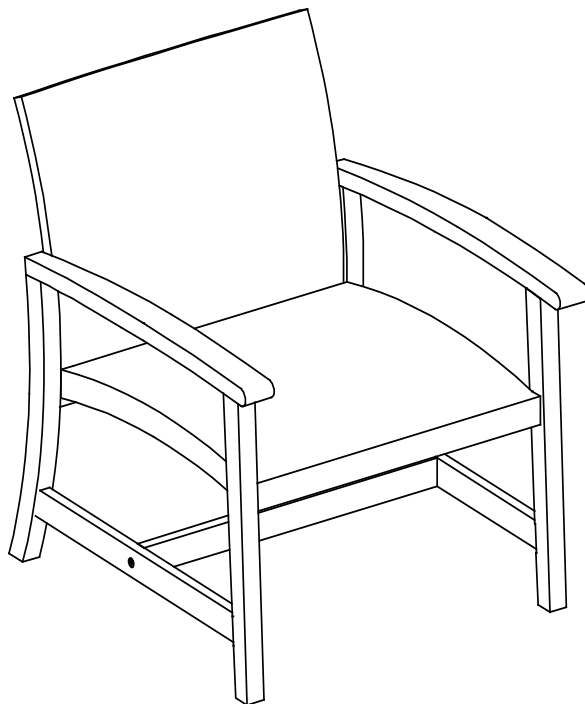
Then tighten the Bolts and Screws in a sequential manner, until evenly secured.

**When tightening the Bolts and Screws tighten sequentially.**

**Adjust the Levellers until the Sofa is level with the ground.**

To adjust the Levellers, get assistance from an adult partner to lift/lean and hold the Chair while you are working.





















## Step 7



Your Chair is ready for use

**This Chair can be used on a flat, level surface**

## Care & Maintenance

-   ● Do not put hot items directly on furniture surface
  -   ● Do not clean furniture with harsh cleansers or polish.
  -   ● To obtain the longest lifespan of your outdoor products, minimizing exposure to direct sunlight is recommended.
  -   ● Children should not climb or jump on the furniture.
  -   ● Do not write on furniture without a padded barrier to protect the surface.
  -   ● To obtain the longest lifespan of your outdoor products, avoid extended and lengthy exposure to rain, snow, and direct sunshine. Whenever possible cover the product and /or place under patio or awnings.
  -   ● Not for commercial use. For residential use only .
  -   ● Stains may be removed with mild soap solution and damp cloth.
  -   ● Keep away from sources of ignition.
- 
-   ● Dust and pick-up spills using a clean, non-colored, lint-free cloth.