

## Bathroom Cabinet

---

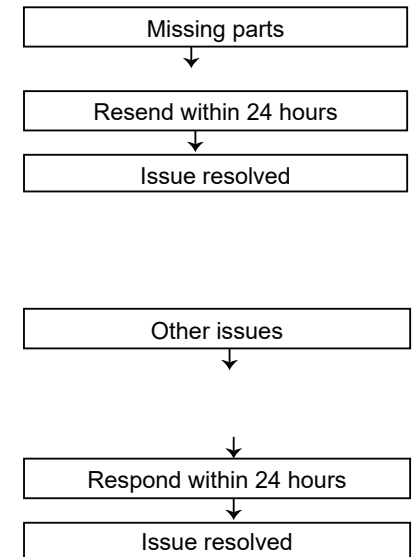
### Tips!

Check all the components & screws before assembly. **Do not install in case part is missing, contact us to get.** We will resend within 24 hours.

### Return Policy

We believe you will absolutely love your new item. But if for some reason you want to return, please contact us directly before you decide to return your product. Our customer service organization can answer most concerns and assist you with any questions you may have about your new item, The item must be returned within 30 days of delivery for a full refund. The item must be returned in good condition, in original box, with all original proof of purchase, parts and accessories.

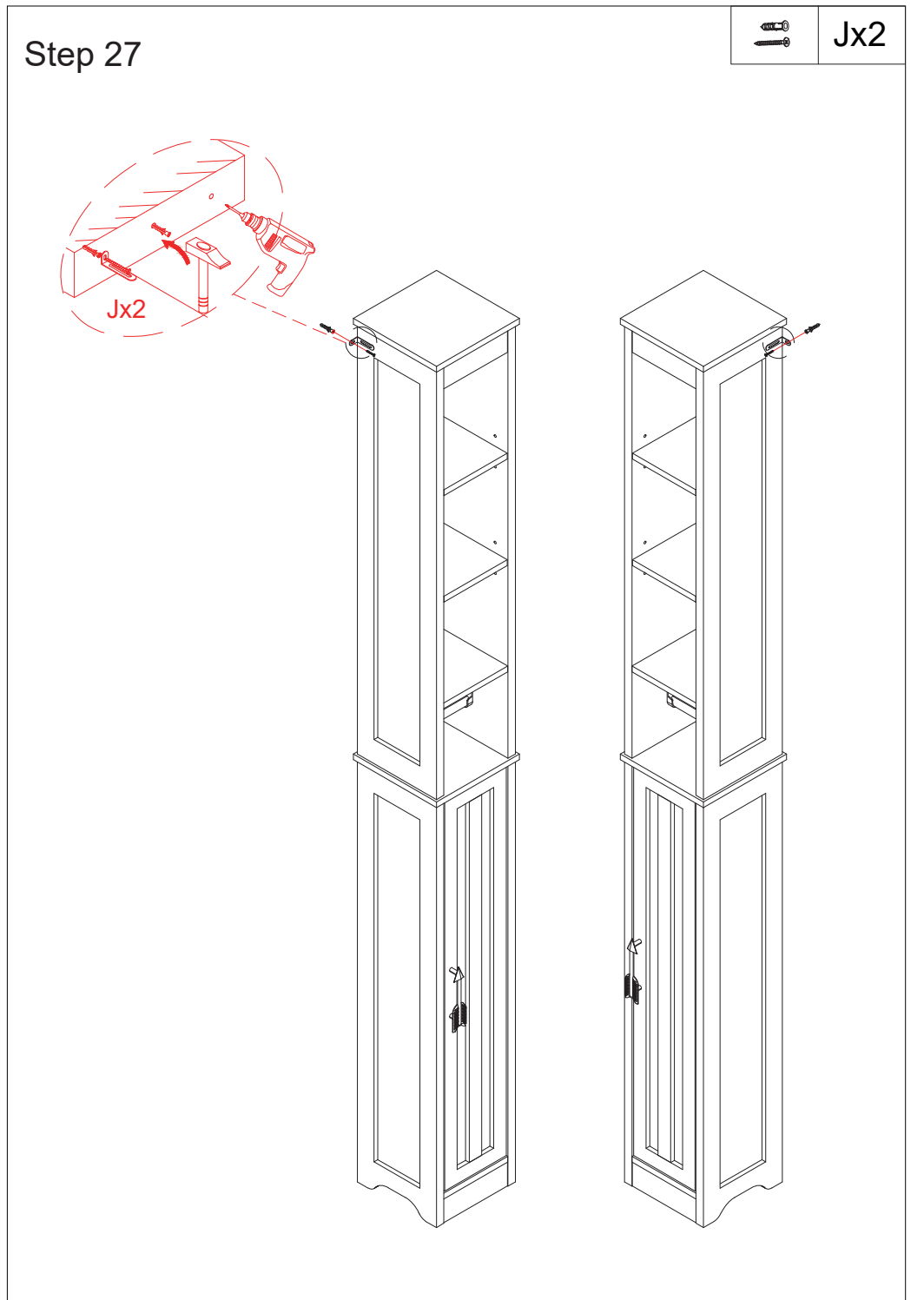
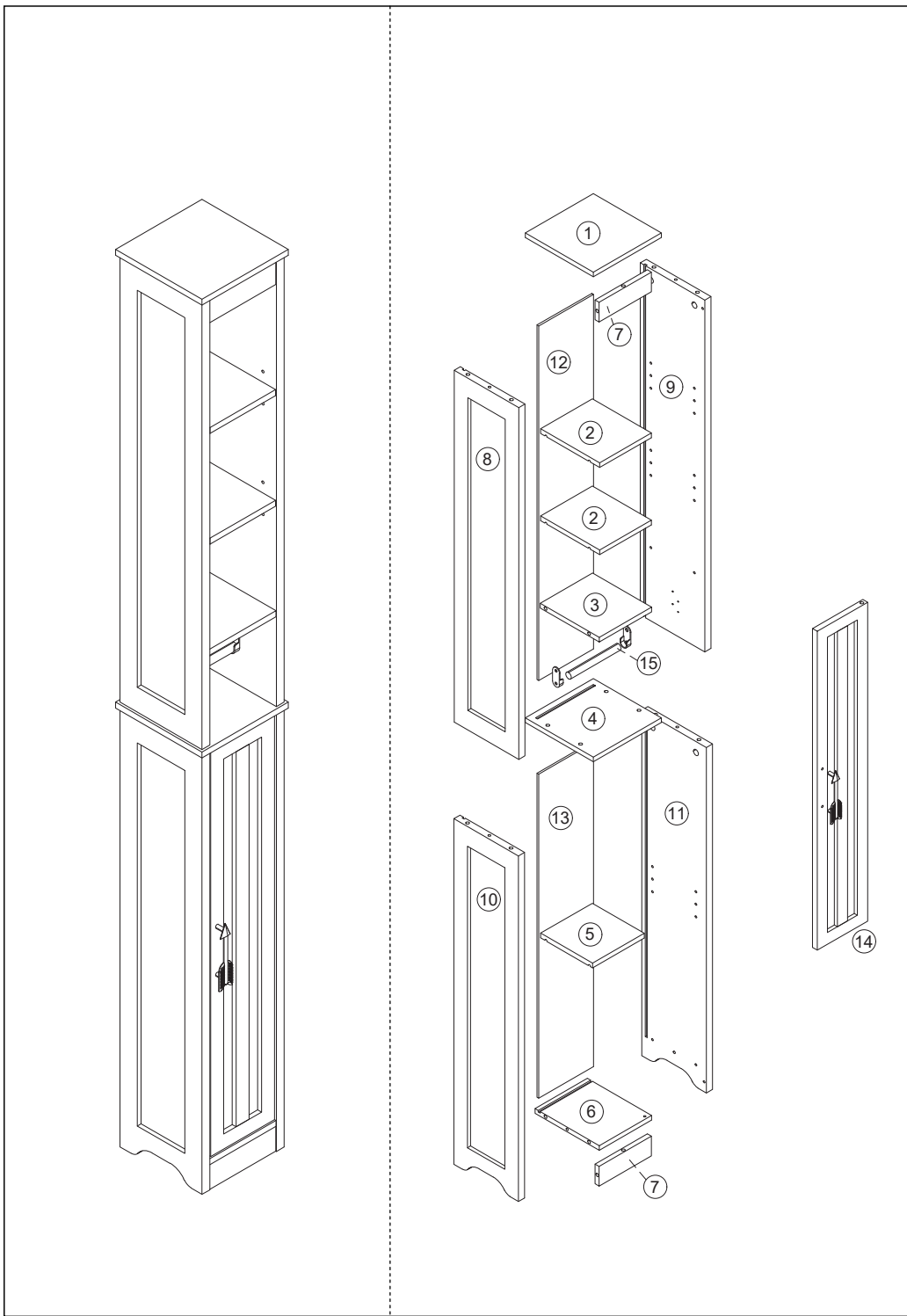
### Trouble shooting:



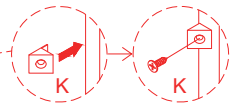
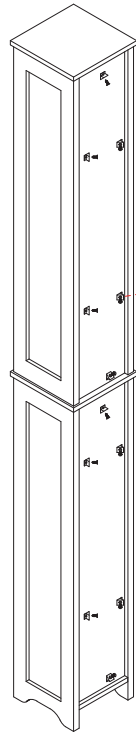
We control manufacturing and distribution ourselves, ensure the quality.



Item Description: Bathroom Cabinet

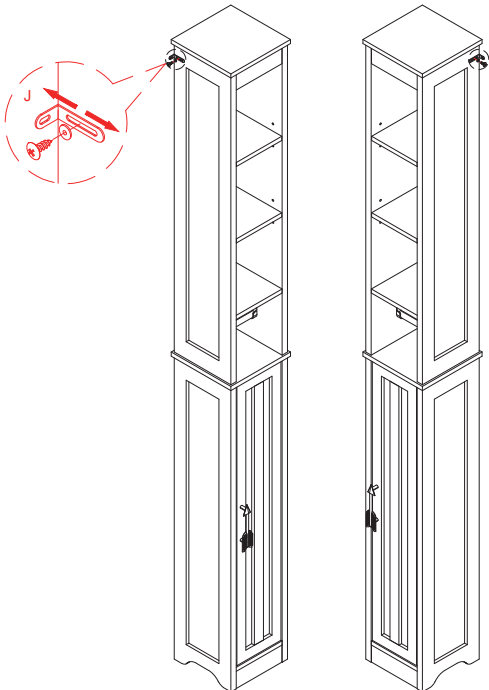


### Step 25



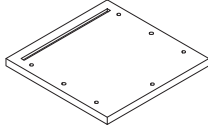
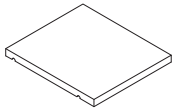
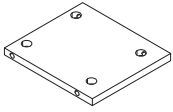
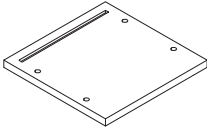
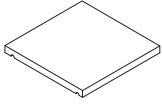
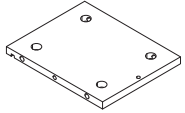
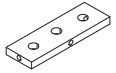
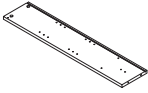
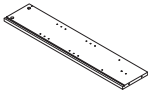
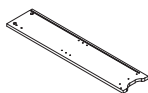
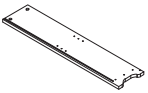



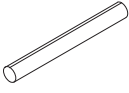
 Kx12

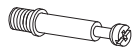




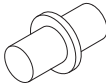

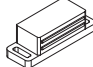




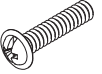



### Step 26



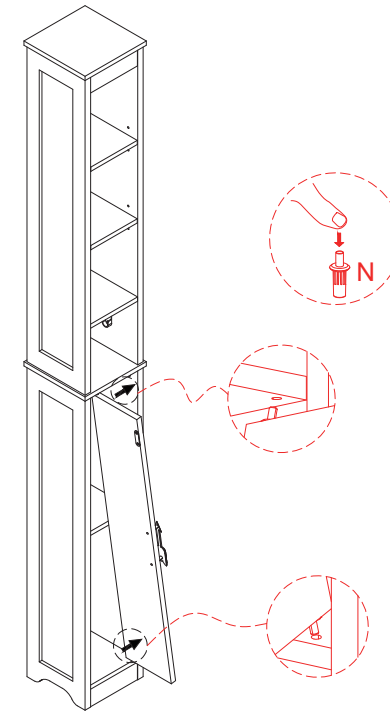
 Jx2

### Components

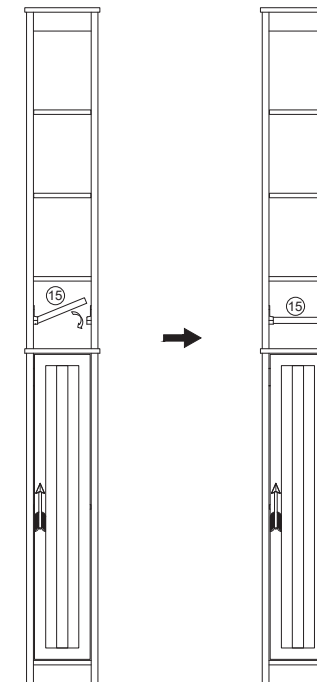
1	 200x200x12mm	1	2	 152x173.5x12mm	2
3	 154x173.5x12mm	1	4	 200x200x12mm	1
5	 152x153x12mm	1	6	 154x189x12mm	1
7	 154x50x12mm	2	8	 896x190x18mm	1
9	 896x190x18mm	1	10	 880x190x18mm	1
11	 880x190x18mm	1	12	 903x161x5mm	1
13	 825x161x5mm	1	14	 812x148x14mm	1
15	 φ13*145mm	1			

<b>A</b>	 Ø6x35mm	22pcs	<b>B</b>	 Ø15x10mm	22pcs
<b>C</b>	 Ø6x30mm	6pcs	<b>D</b>	 Ø7x38mm	4pcs
<b>E</b>	 Ø3x14mm	4pcs	<b>F</b>	 Ø5x16	12pcs
<b>G</b>	 Ø15mm	4pcs	<b>H</b>	 1pc	1pc
<b>I</b>	 1pc	1pc	<b>J</b>	 2pcs	2pcs
<b>K</b>	 12pcs	12pcs	<b>L</b>	 1pc	1pc
<b>M</b>	 M4x18mm	2pcs	<b>N</b>	 2pcs	2pcs
<b>O</b>	 2pcs	2pcs	<b>P</b>	 M4 1pc	1pc





### Step 23

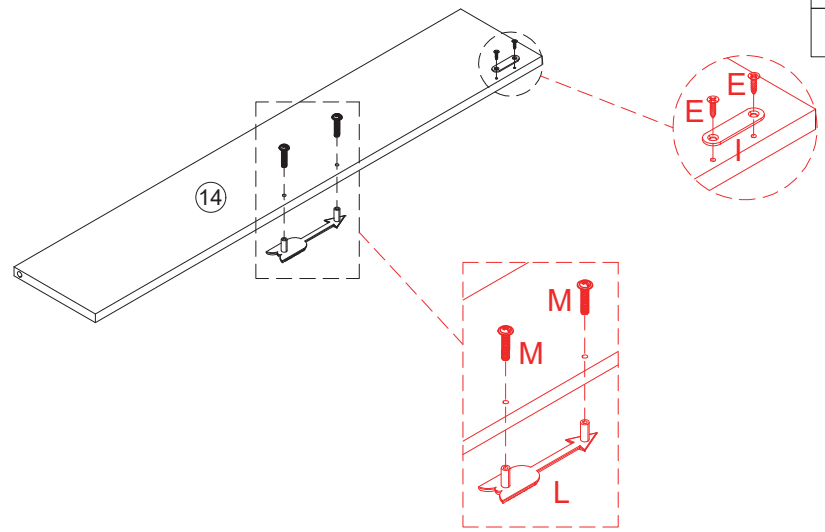


### Step 24



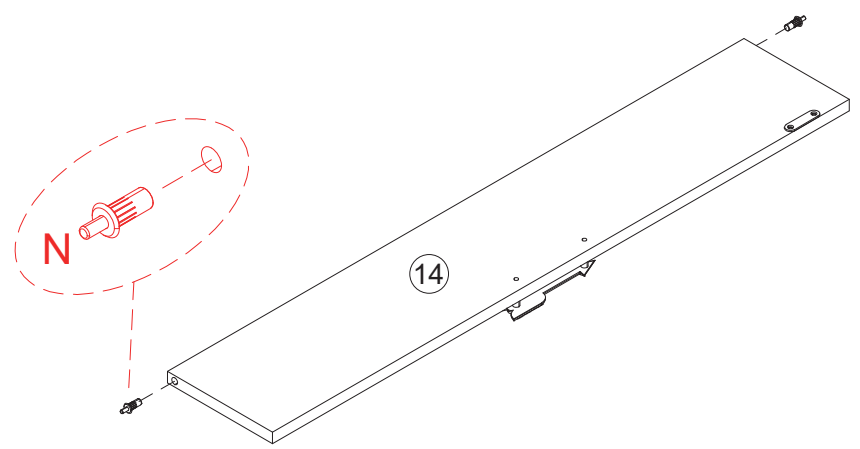
### Step 21

	Ex2
	Ix1
	Lx1
	Mx2

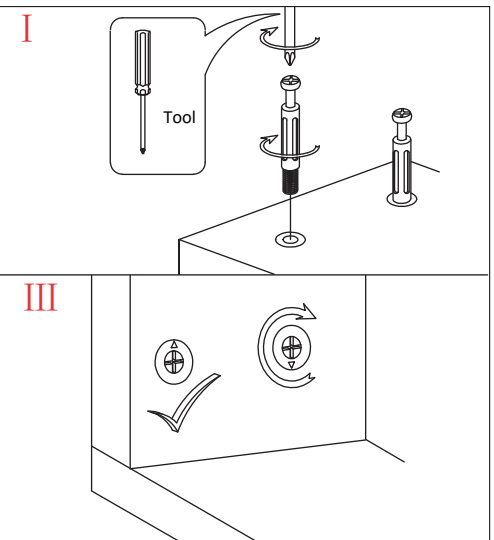


### Step 22



	Nx2
--	-----

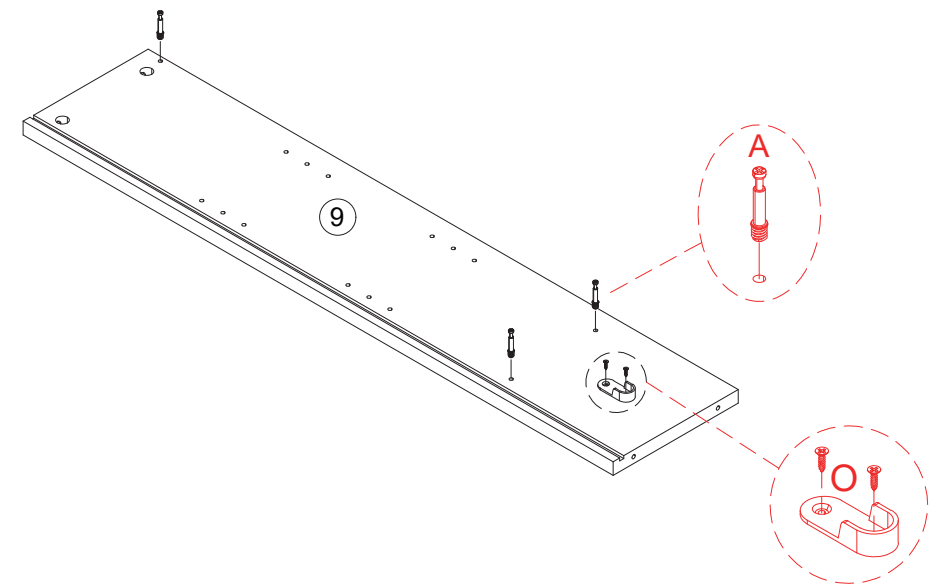


### "A&B" Hardware Assembly example

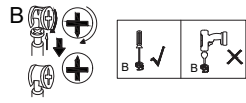


### Step 1

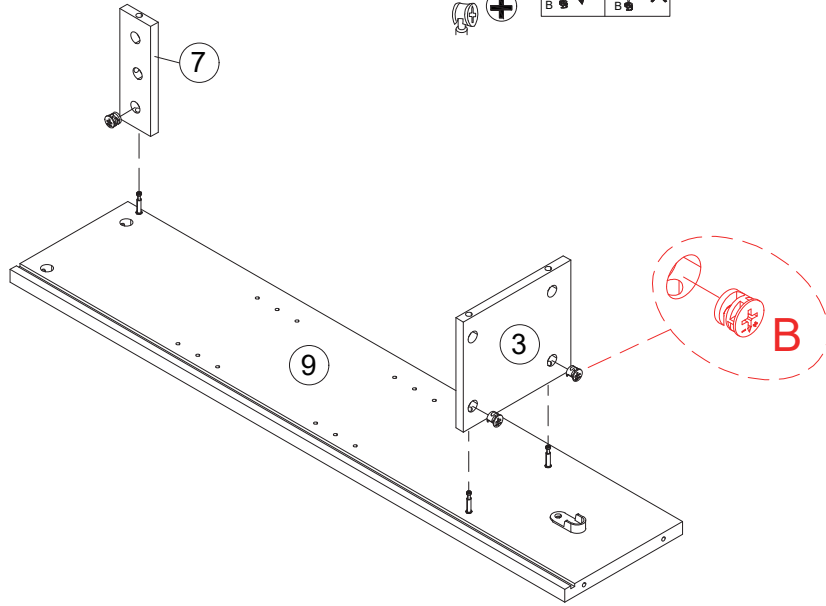
	Ax3
	Ox1



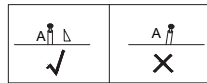
### Step 2





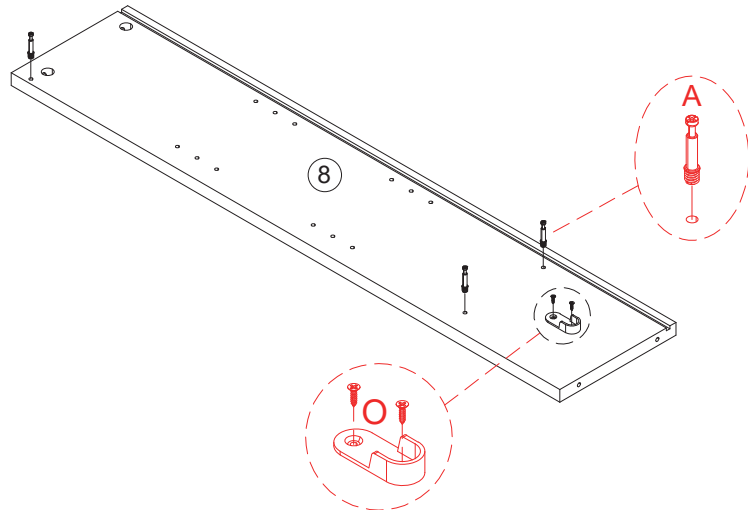
 Bx3



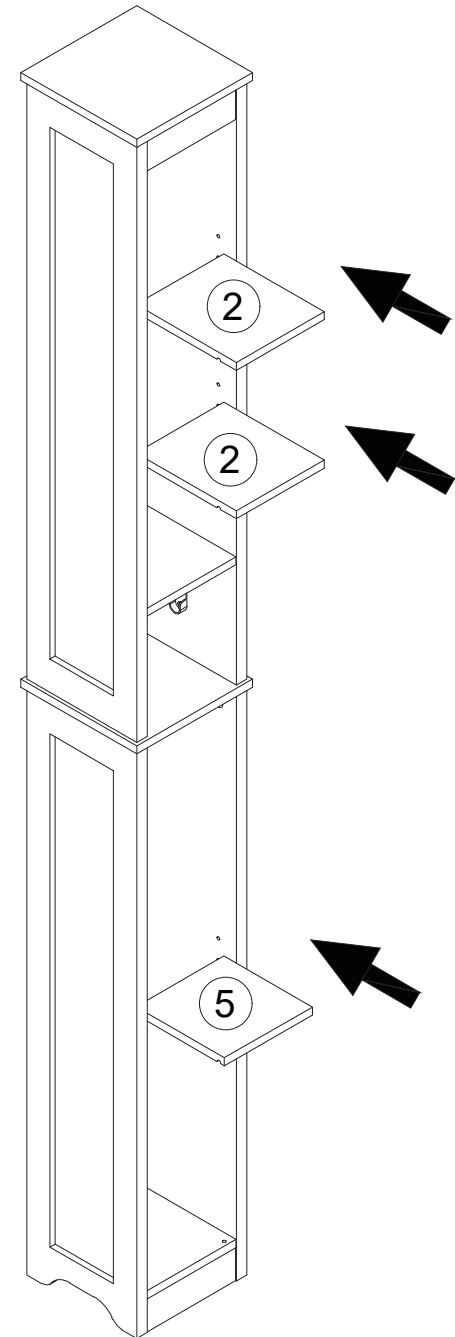
### Step 3



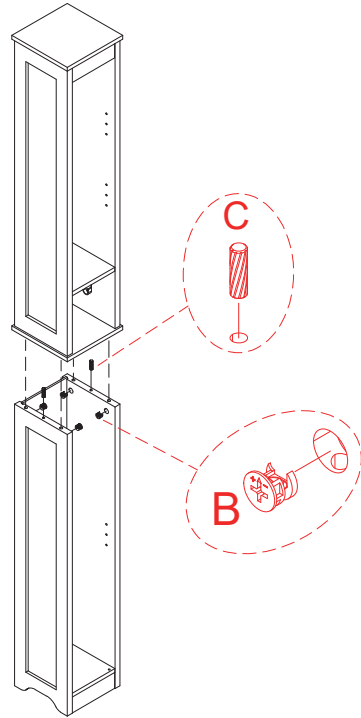
 Ax3  
 Ox1



### Step 20

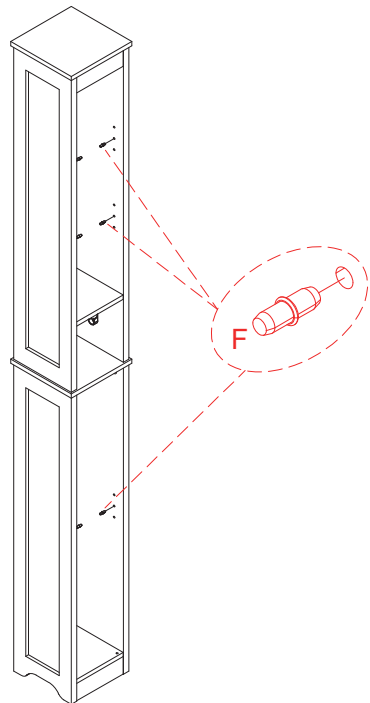


### Step 18



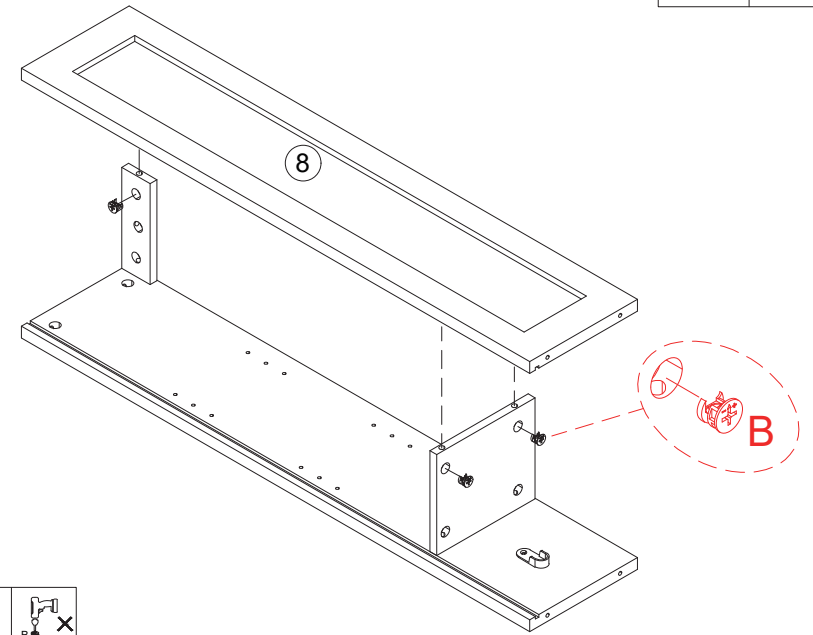
	Bx4
	Cx2

### Step 19

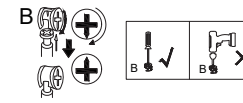


	Fx12
--	------

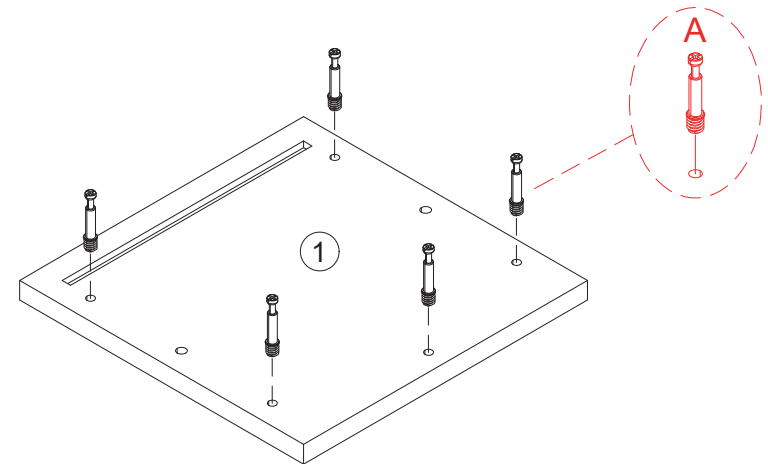
### Step 4



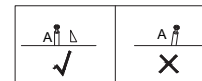
	Bx3
--	-----





### Step 5

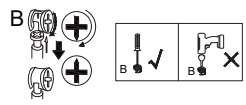
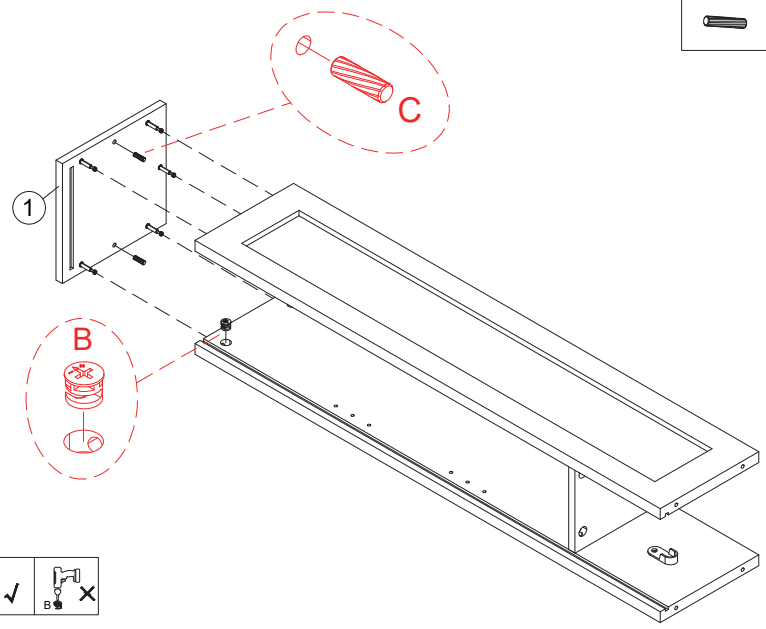


	Ax5
--	-----



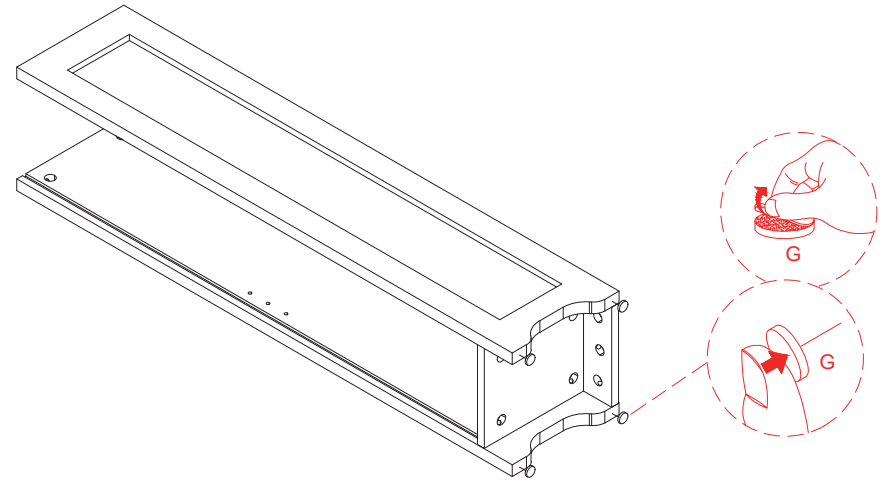
### Step 6

	Bx5
	Cx2

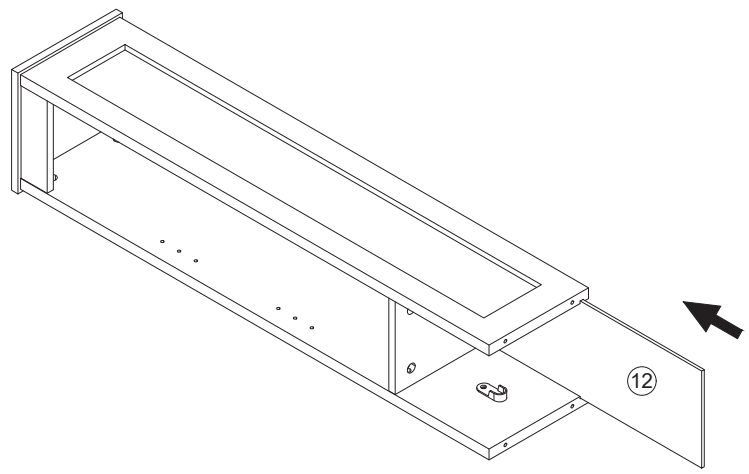


### Step 16

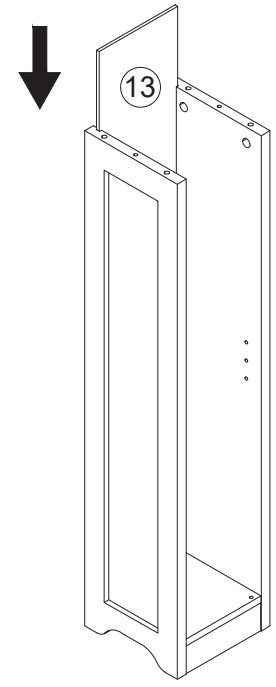
	Gx4
--	-----



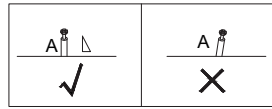
### Step 7



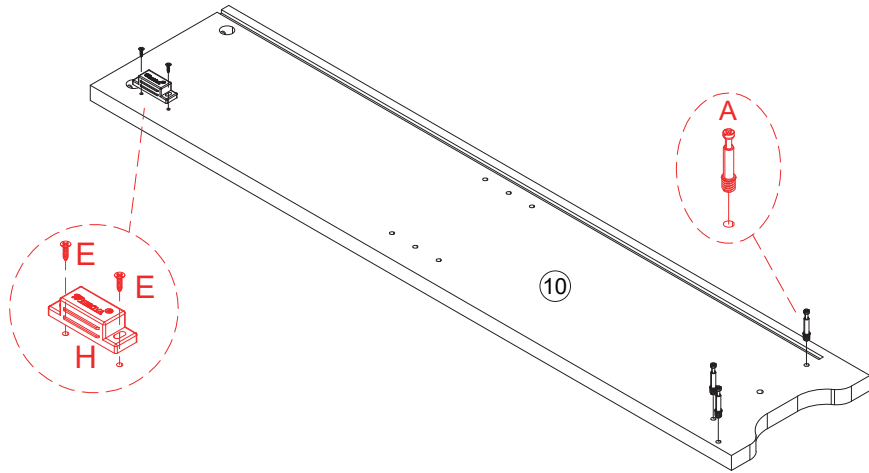
### Step 17



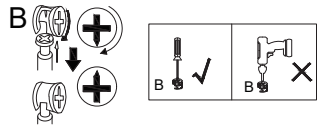
### Step 14



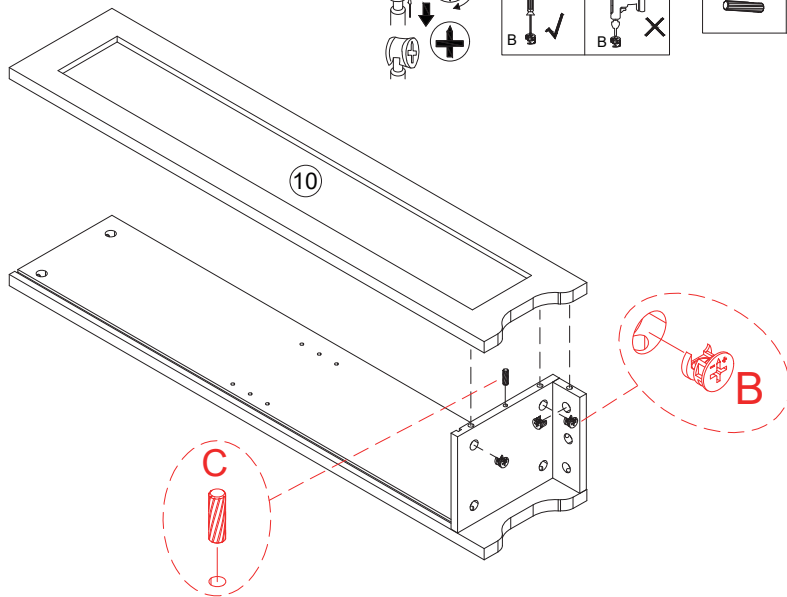
	Ax3
	Ex2
	Hx1



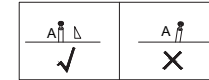
### Step 15



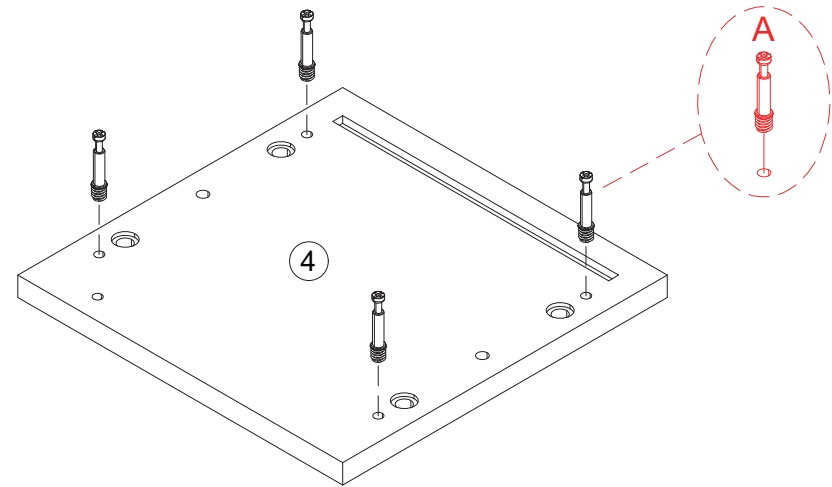
	Bx3
	Cx1



### Step 8

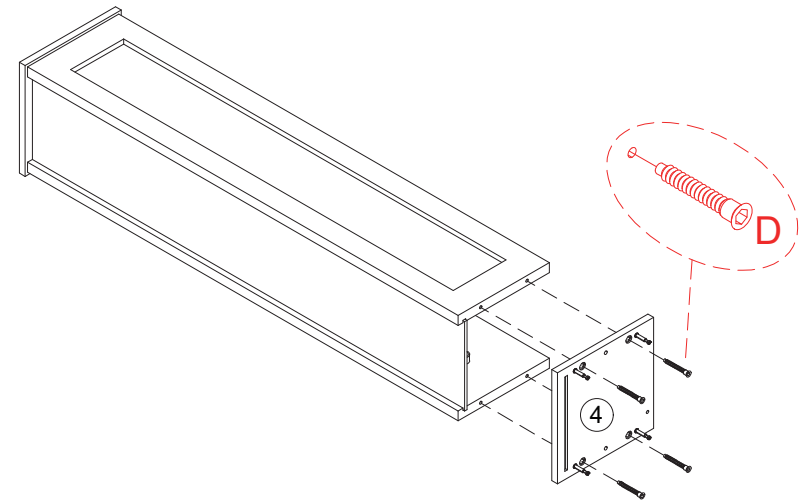


	Ax4
--	-----

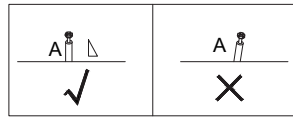


### Step 9

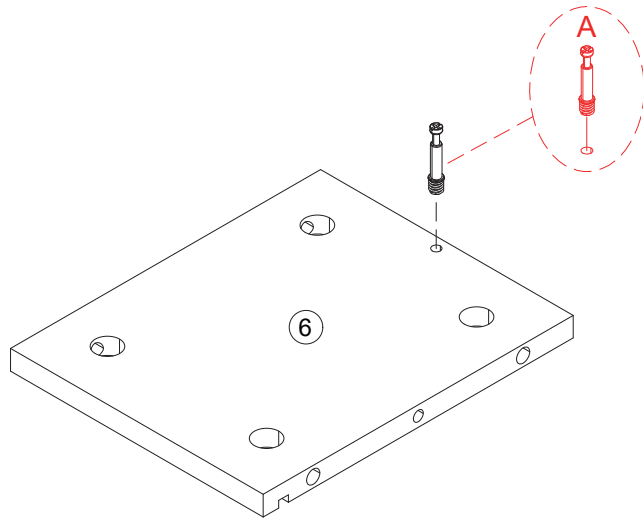
	Dx4
--	-----



### Step 10

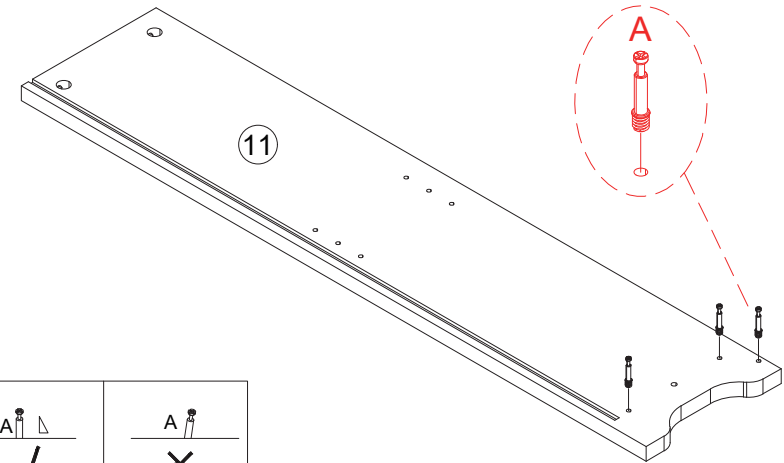
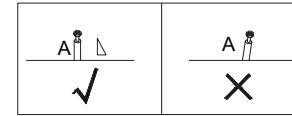


 Ax1



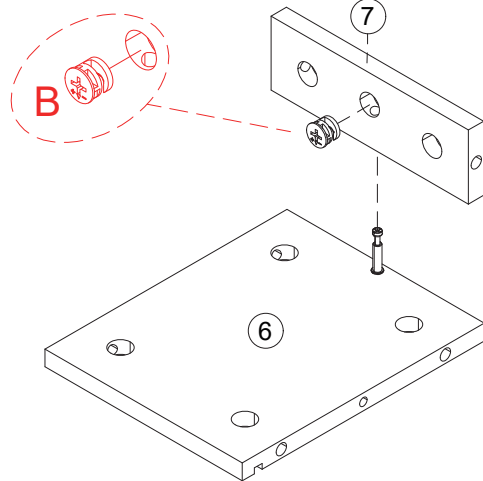
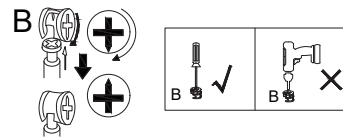
### Step 12

 Ax3




### Step 11

 Bx1



### Step 13

 Bx3

 Cx1

