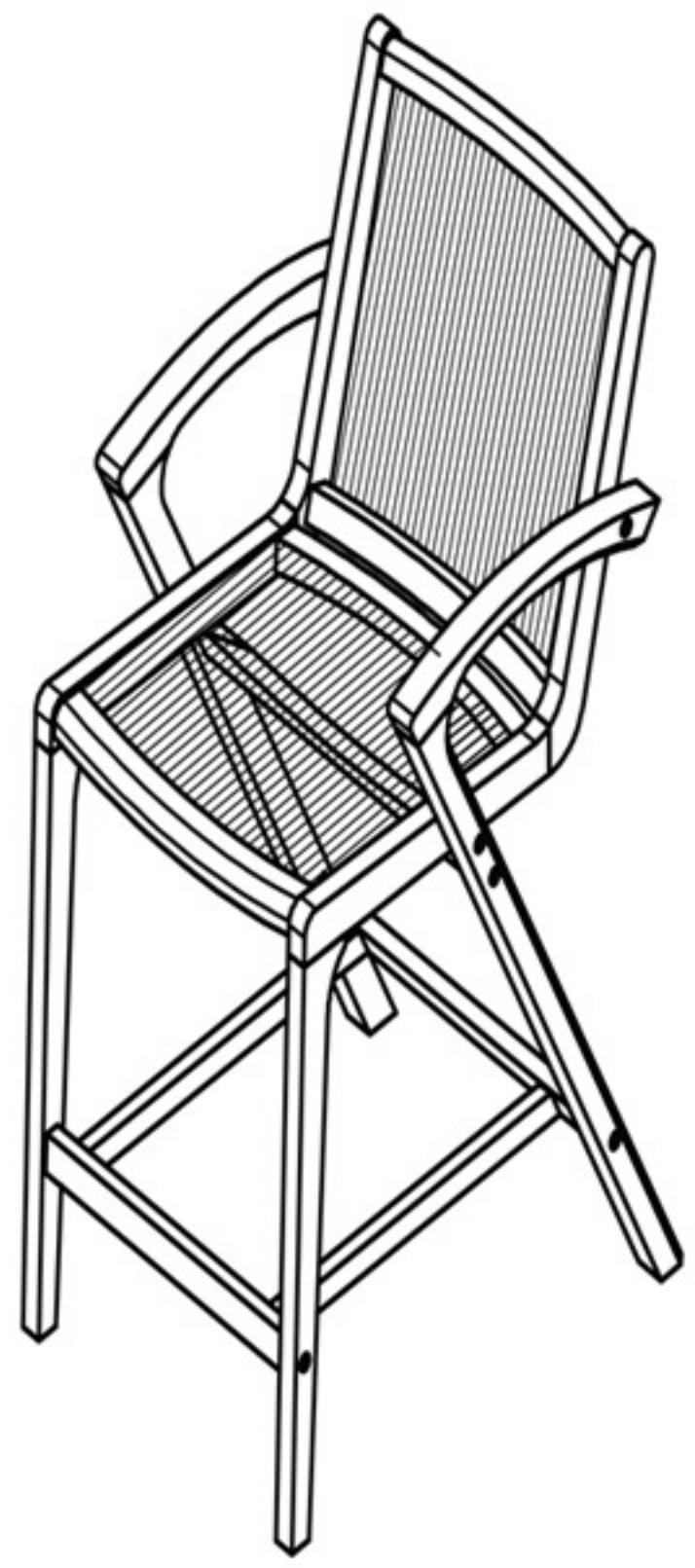


Assembly Instructions



Weight Capacity



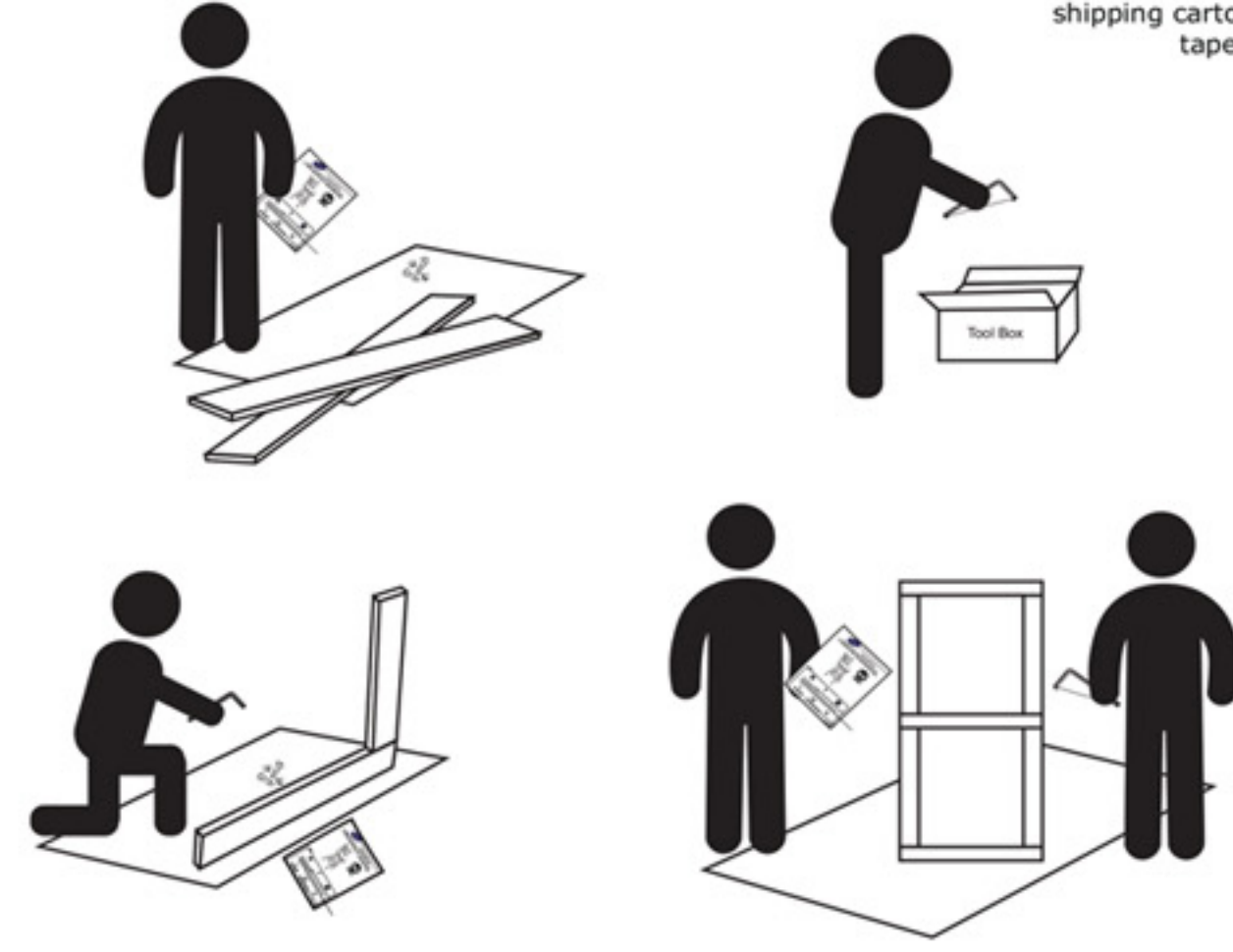
Locate the **HARDWARE PACK** which is attached to the shipping carton with red tape.

Assembly And Care

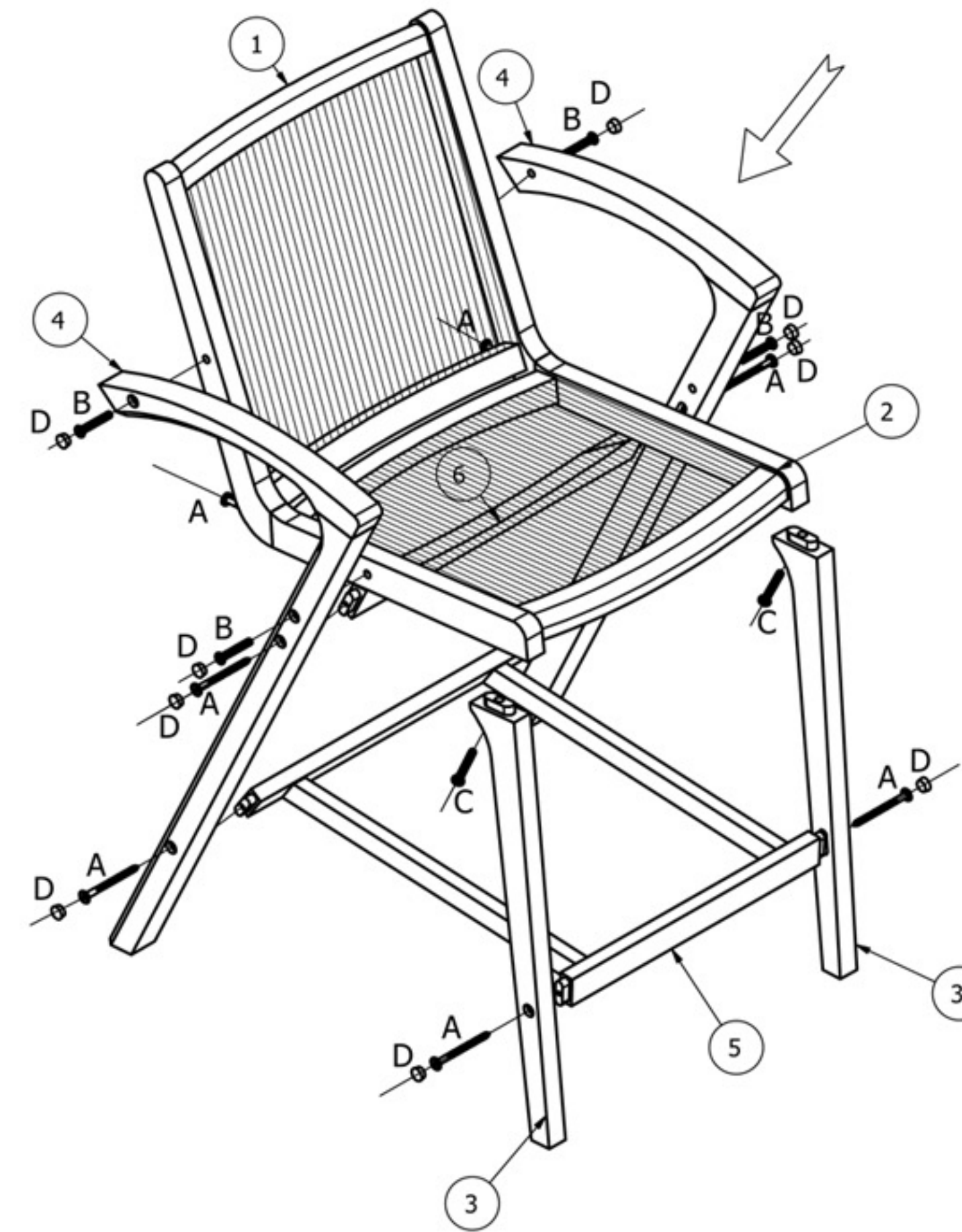
- All tools required for assembly are included unless noted.
- Prior to assembly, check for missing or damaged parts.
- Do not dispose of packing materials until assembly is completed.
- Assemble item on a soft, clean surface to prevent damage to the item.



Locate the **HARDWARE PACK** which is attached to the shipping carton with red tape.



Assembly Overview



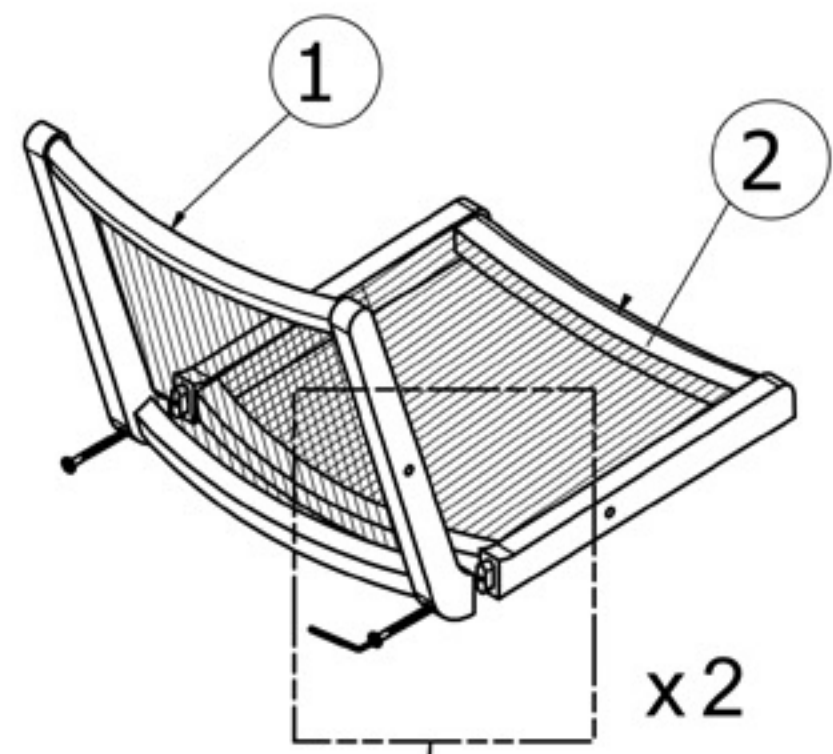
PARTS

| | | |
|----------------------------|---------------------------|-------------------------------|
| ① (x1) Backrest frame : | ② (x1) Sitting frame : | ③ (x2) Front leg : |
| ④ (x2) Back leg : | ⑤ (x1) Footrest : | ⑥ (x1) Support cross bar : |

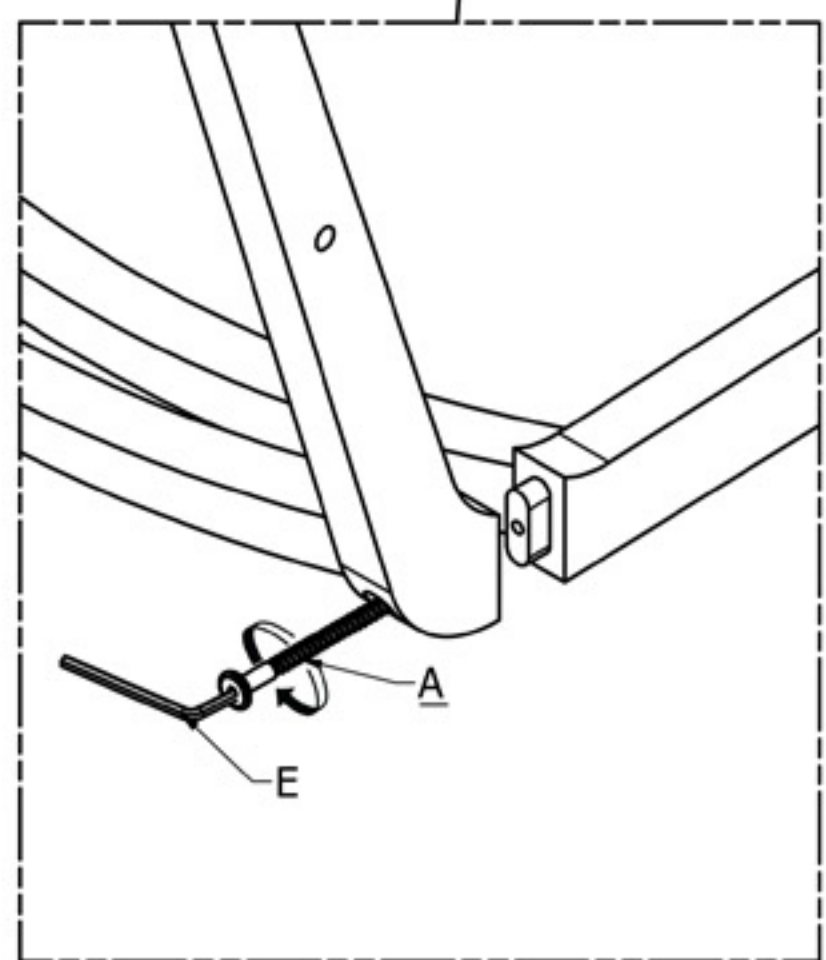
HARDWARE

| | | | | |
|-------------|------------|------------|----------|--------------|
| A (x8) | B (x4) | C (x2) | D (x10) | E (x1) |
| | | | | |
| Screw M7x90 | Bolt M8x50 | Bolt M8x60 | Wood nut | Allen Wrench |

01

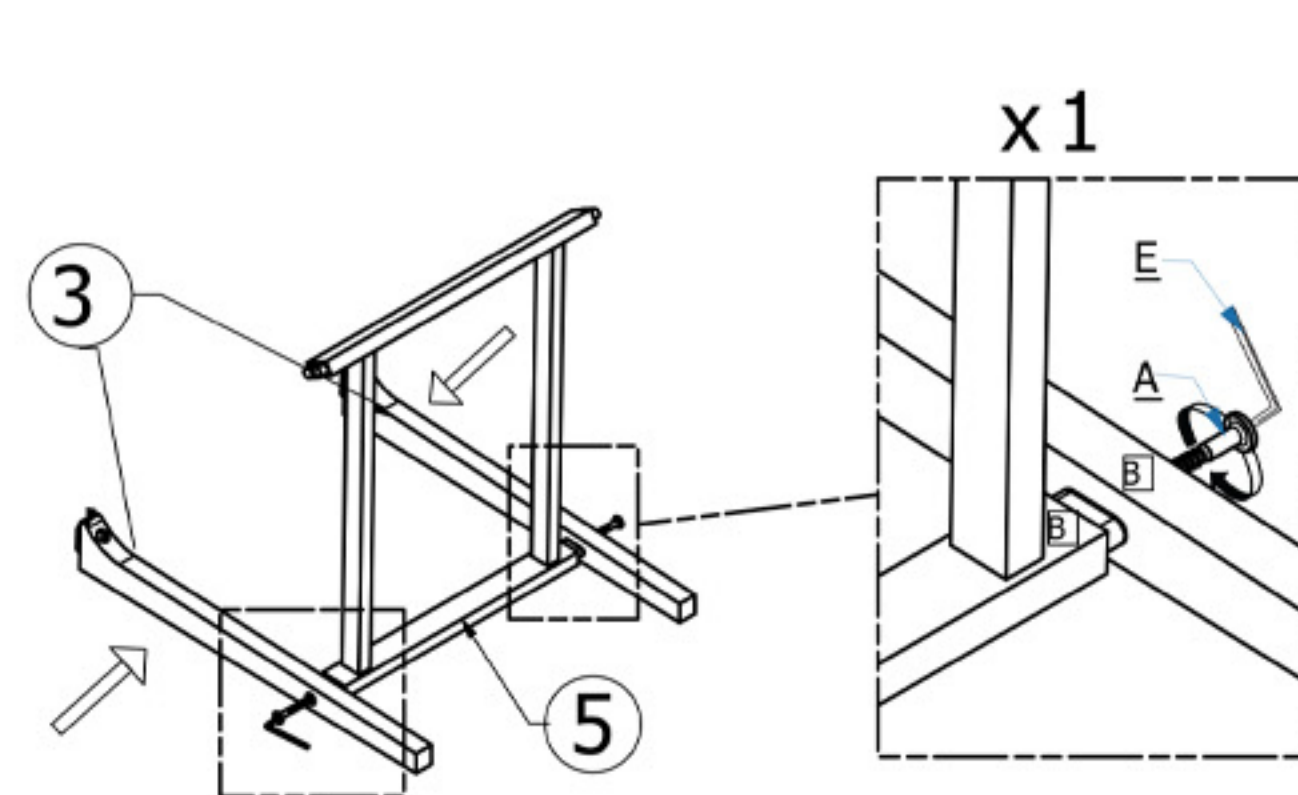


x2

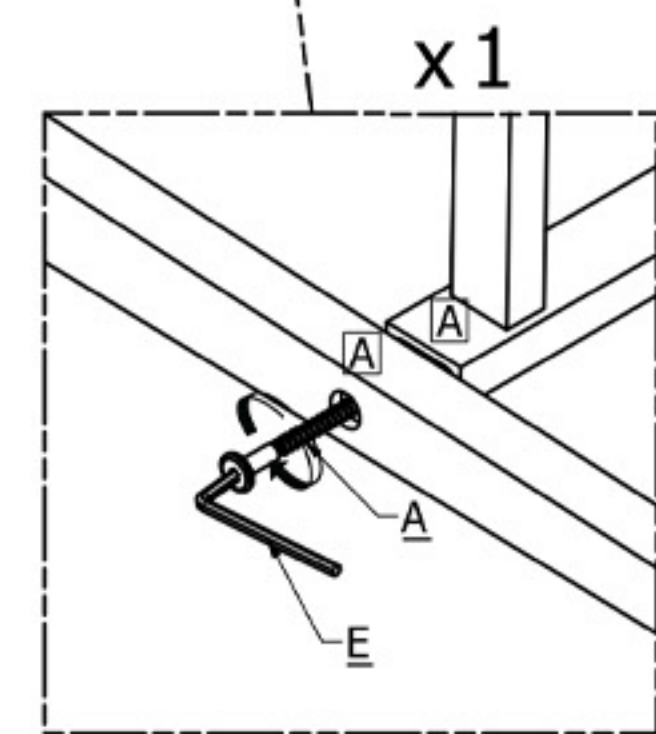


| Hardware | Count |
|----------|-------|
| A | 2 |
| E | 1 |

02



x1

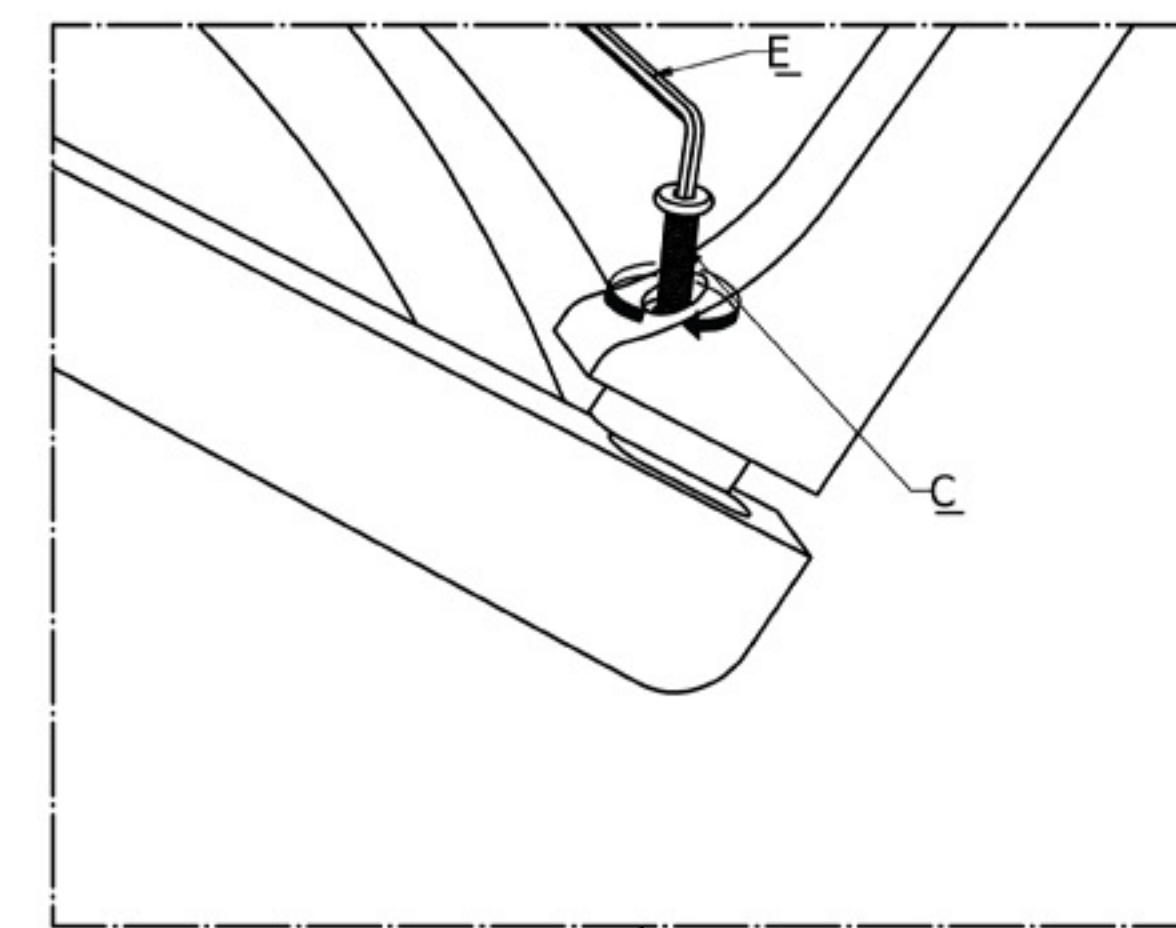


x1

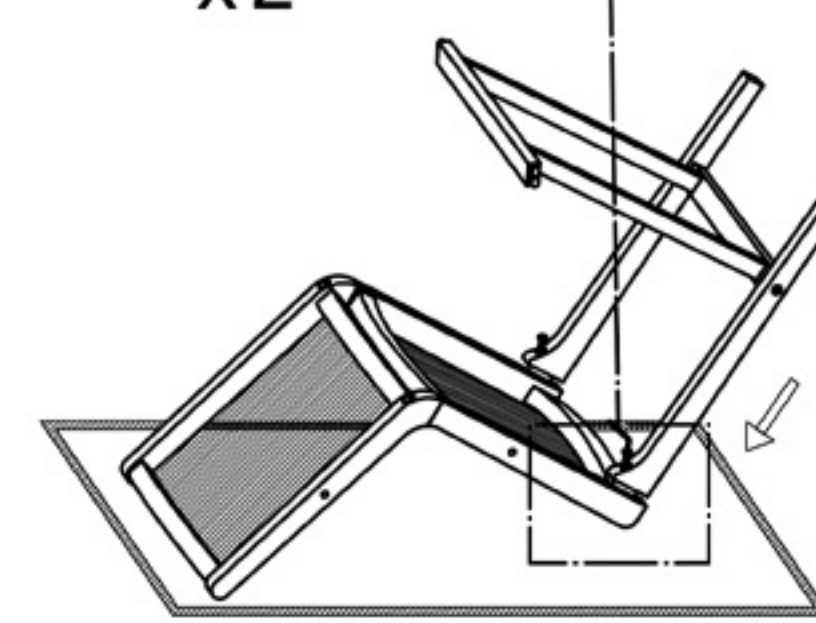
| Hardware | Count |
|----------|-------|
| A | 2 |
| E | 1 |

DO NOT TIGHTEN BOLT COMPLETELY.

03

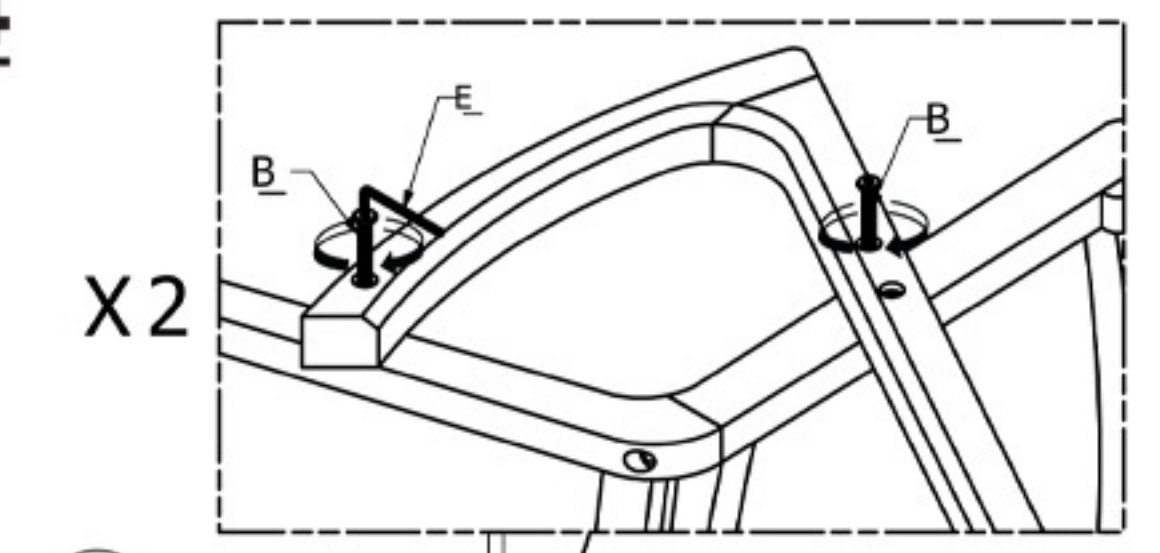


x2

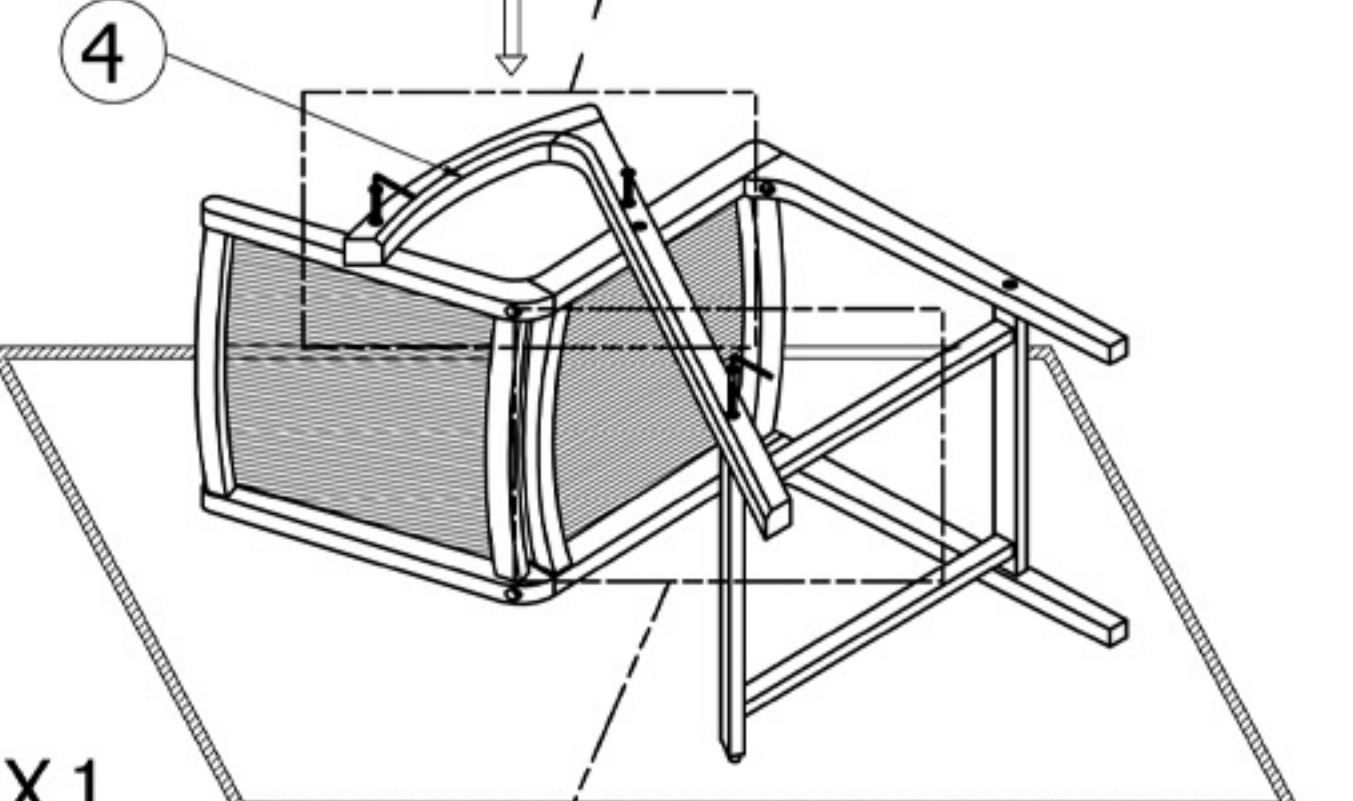


| Hardware | Count |
|----------|-------|
| C | 2 |
| E | 1 |

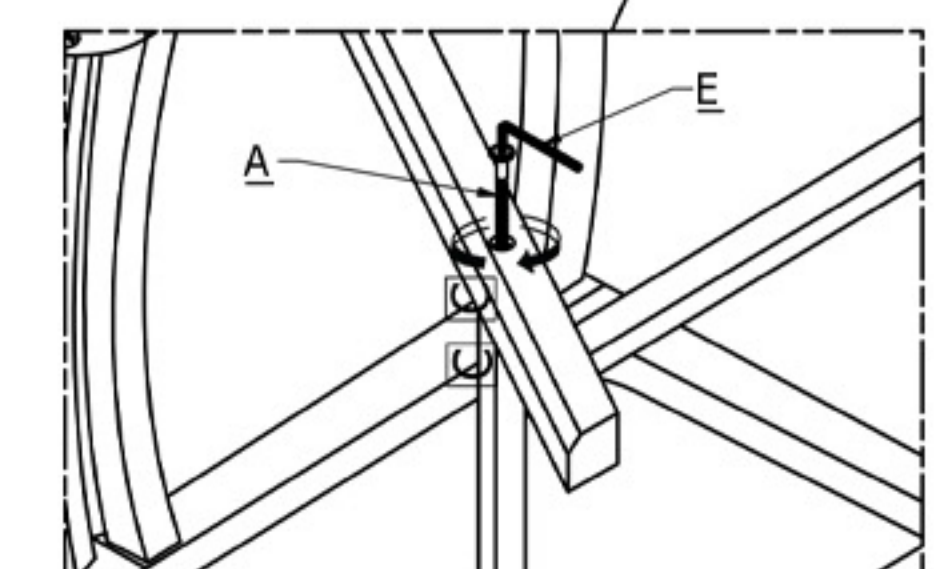
04



x2

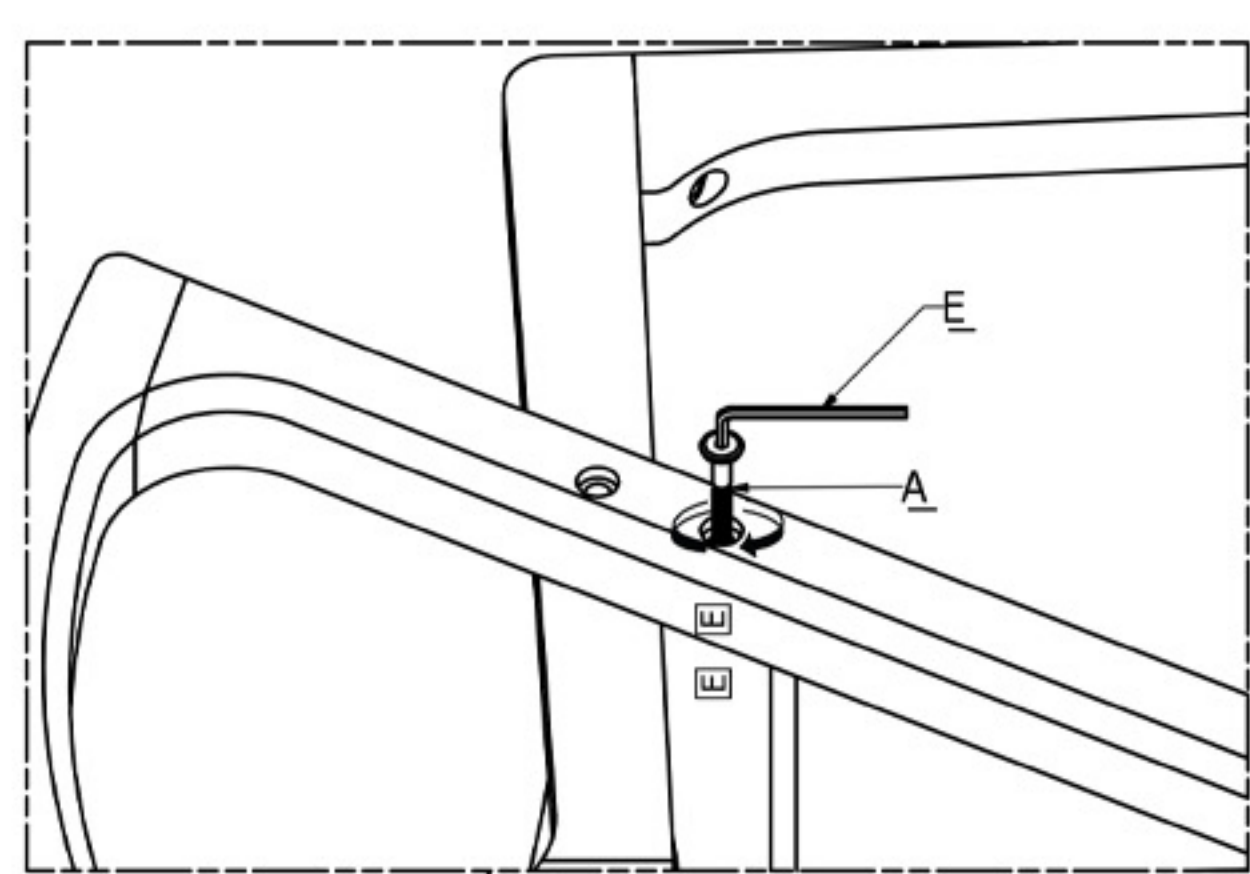


x1

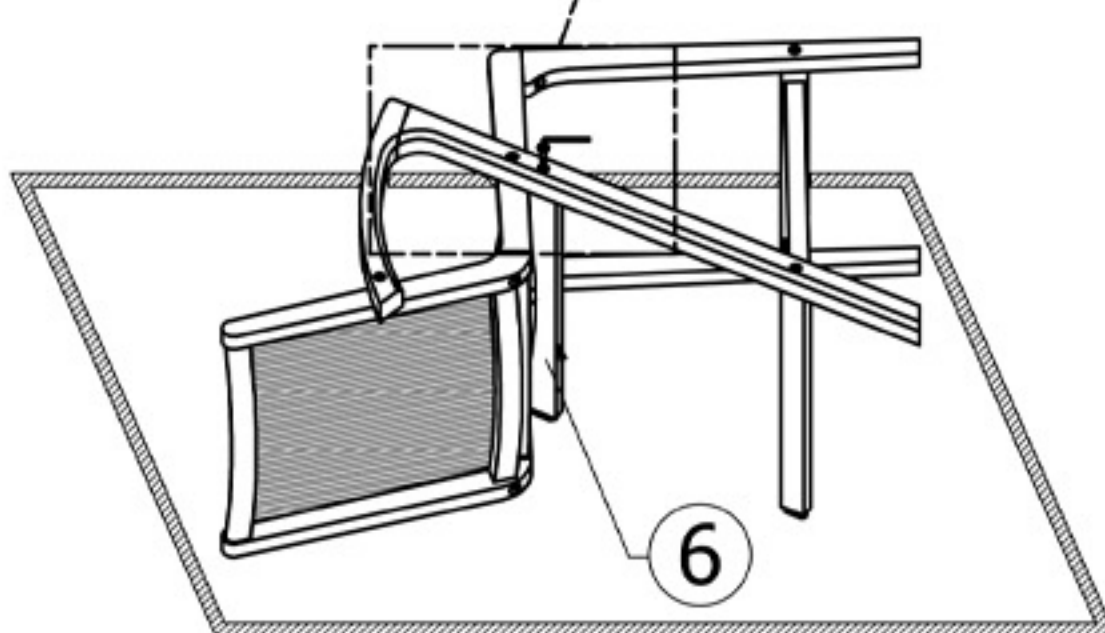


| Hardware | Count |
|----------|-------|
| A | 1 |
| B | 2 |
| E | 1 |

05

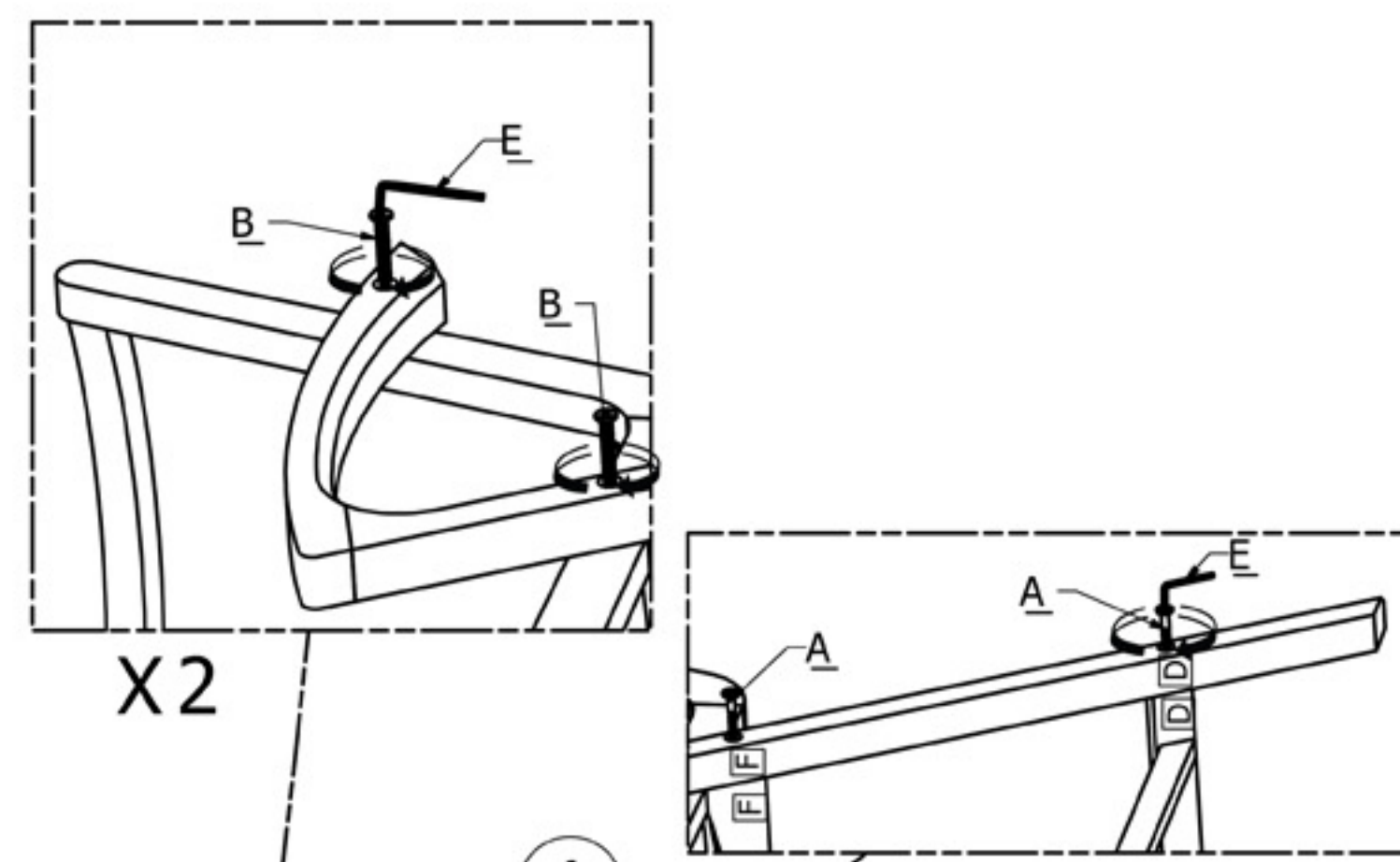


x1

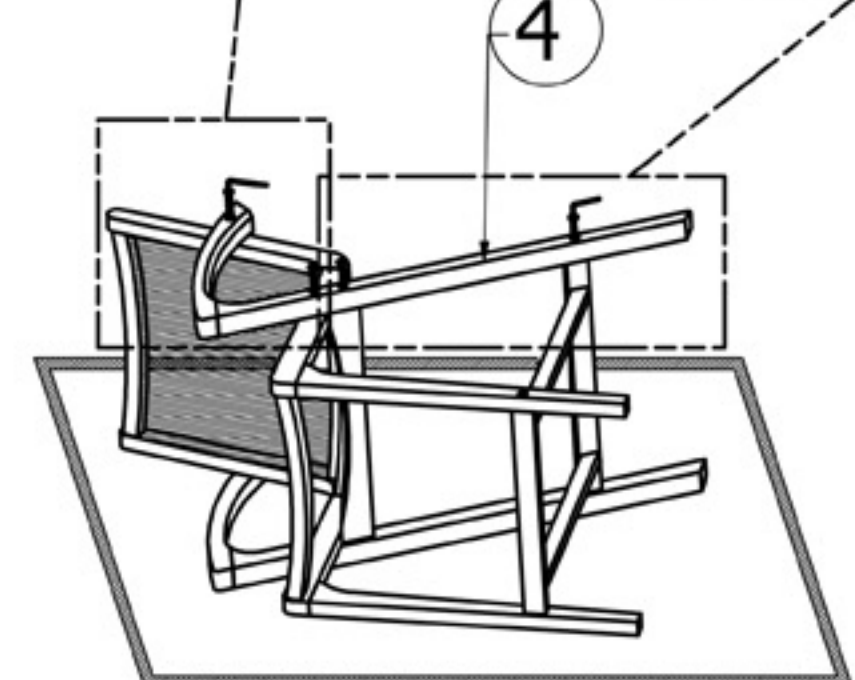


| Hardware | Count |
|----------|-------|
| A | 1 |
| E | 1 |

06



x2

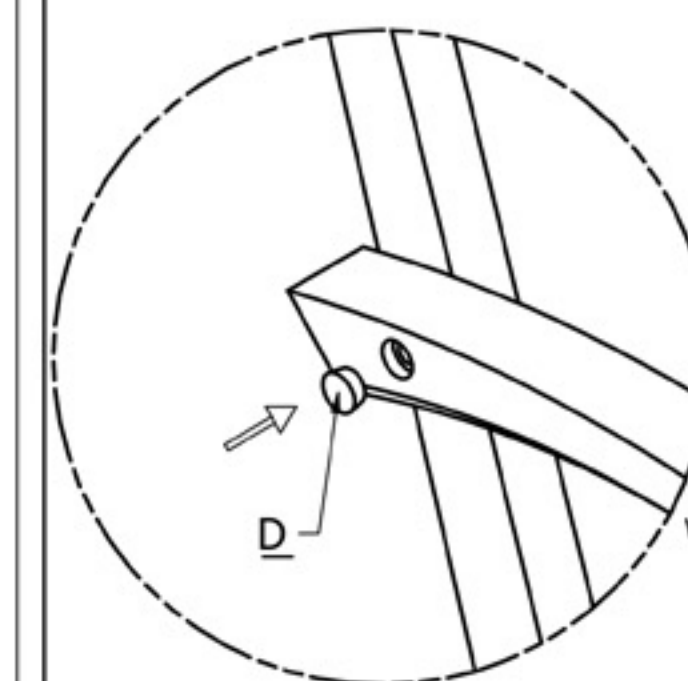


x2

| Hardware | Count |
|----------|-------|
| A | 2 |
| B | 2 |
| E | 1 |

TIGHTEN BOLT AND SCREW COMPLETELY.

07



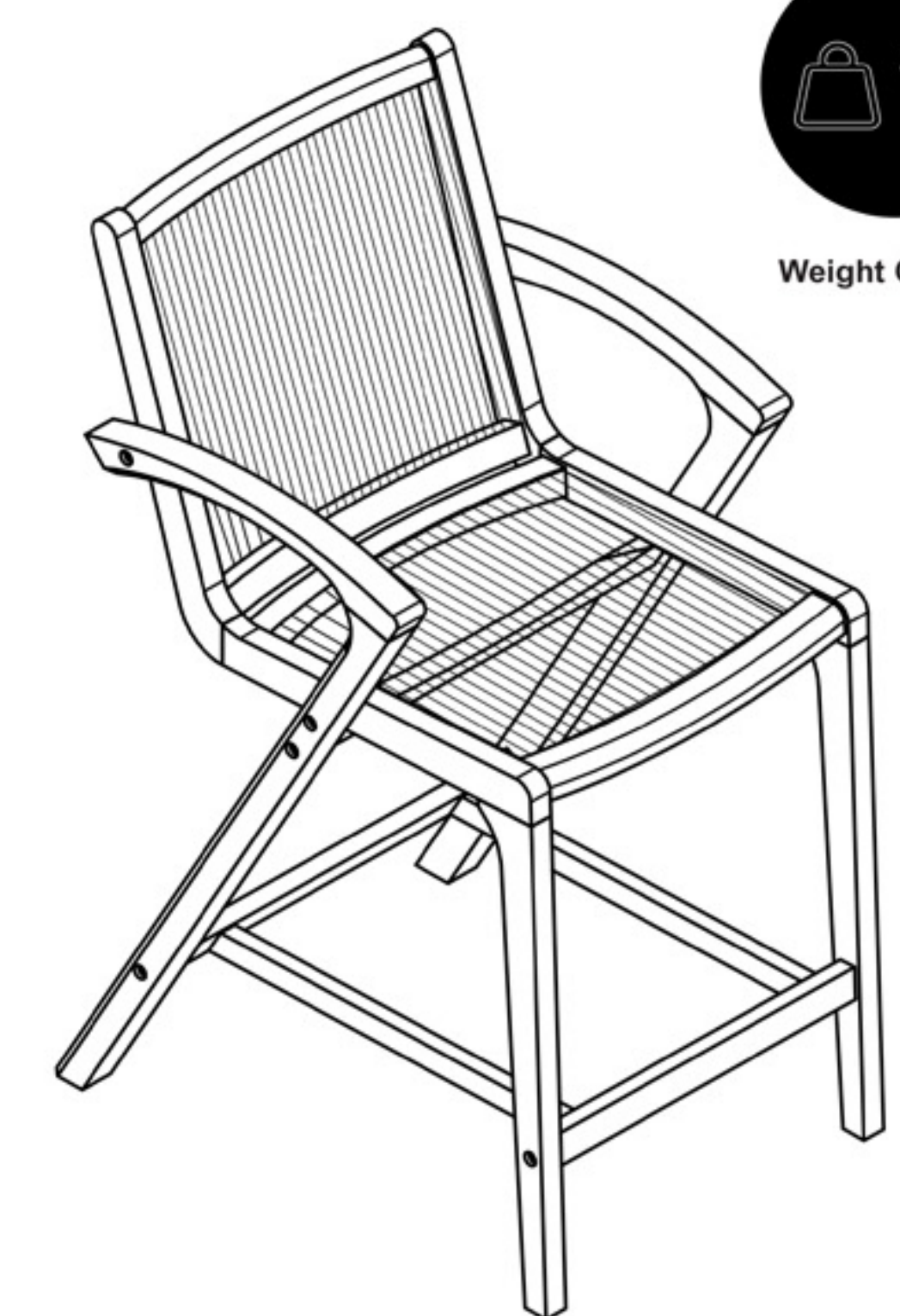
x10



| Hardware | Count |
|----------|-------|
| D | 10 |



Weight Capacity



BE SURE TO CHECK ALL BOLTS ARE SECURELY TIGHTENED PRIOR TO USE.