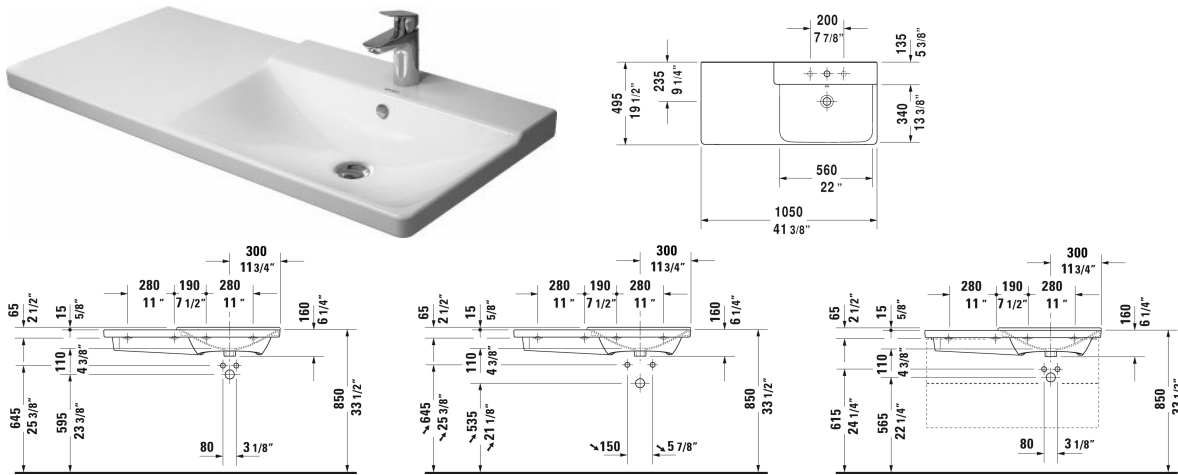


P3 Comforts Furniture washbasin asymmetric & # 2334100000
 / 2334100030 / 2334100060

< 41 3/8" Inch >



Furniture washbasin asymmetric	Dimension	Weight	Order number
with overflow, with faucet deck, overflow clip Chrome included, bowl on right side, hardware included, wall-mounted, 41 3/8" Inch			
Colors			
00 White			
Variant			
●	41 3/8" x 19 1/2" Inch	59.5 lb	2334100000
●●●	41 3/8" x 19 1/2" Inch	59.5 lb	2334100030
☒	41 3/8" x 19 1/2" Inch	59.5 lb	2334100060
Infobox			
Washbasin is not ADA compliant in combination with pedestal, siphon cover or metal console			
Sanitary ceramics with the special WonderGliss surface finish will remain clean and attractive-looking for a long time to come. When ordering WonderGliss please add a "1" as eleventh digit to the model number.			
Space-saving siphon	1 1/4" Inch	0.9 lb	005076
Suitable products			
Vanity unit wall-mounted 1 pull-out compartment, for P3 Comforts # 233210, 233310, 233410, 40 1/8" x 19" Inch	40 1/8" x 19" Inch		LC6150

P3 Comforts Furniture washbasin asymmetric & # 2334100000
 / 2334100030 / 2334100060

|< 41 3/8" Inch >|

Vanity unit wall-mounted 2 drawers, upper drawer including cut-out for siphon and siphon cover, for P3 Comforts # 233410 basin right, 40 1/8" x 19" Inch	40 1/8" x 19" Inch	LC6252
Vanity unit floorstanding 2 pull-out compartments, for P3 Comforts # 233210, 233310, 233410, 40 1/8" x 19" Inch	40 1/8" x 19" Inch	LC6602

All drawings contain the necessary measurements which are subject to standard tolerances. They are stated in inch & mm and are non-binding. Exact measurements, in particular for customized installation scenarios, can only be taken from the finished ceramic piece.