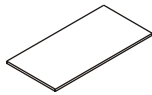
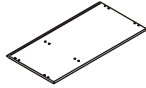




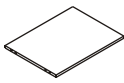

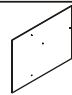
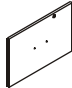
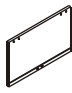
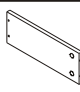
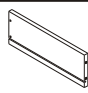
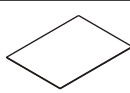




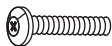


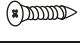
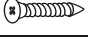
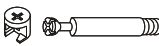


READ AND SAVE THIS INSTRUCTION FOR FUTURE USE









ASSEMBLY INSTRUCTION

Part List

PART NO.	PARTS	QTY
①		X1
②		X1
③		X1
④		X1
⑤		X1
⑥		X1
⑦		X1
⑧		X1

PART NO.	PARTS	QTY
⑨		X1
⑩		X1
⑪		X1
⑫		X1
⑬		X1
⑭		X1
⑮		X2
⑯	14''  X2set	X1

PART NO.	QTY.	PARTS	
A	8	M6X40mm	
B	4	M5X38mm	
C	4	4x18mm	
D	50	3.5x14mm	
E	4	3.5x20mm	
F	16	M6X40mm	
G	2	109X16X8	
H	2	1.5 "	

PART NO.	QTY.	PARTS	
I	2	1.5 "	
J	2		
K	1		
L	16	Ø8X30mm	
M	4		
N	6	Ø21	
O	1		
P	1		

Assembly Instructions

