

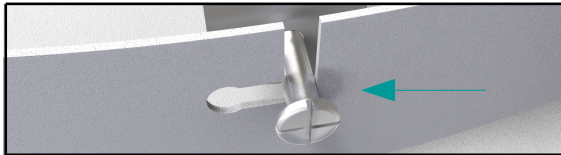
Installation

ENGLISH

To be installed by a certified electrician!

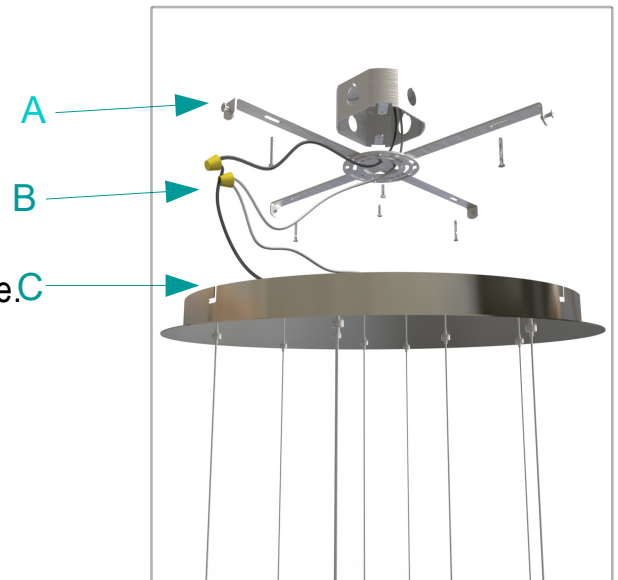
Ensure that the power is off.

- A Connect the mounting bracket to the junction box (required!). Add screws as needed.
- B Connect the wires.
- C Align the canopy with the screws, push up and rotate.



- D Tighten all the screws.

NOTE: do not release the canopy until the screws have been tightened.



Installation

Do not attach pendants until canopy installation is completed.

- A Slide part A up the wire.
- B Hold part A while you fully thread on part B. (may require assistance)
- C Insert the LED bulb(C) into part B.
- D thread part D into part B.

Please note that the bulbs run in series, so they will only function with all LED bulbs correctly installed.

Turn on the light 💡

Final step
The stabilizer disk clips onto the wire and slides down into position.

