

Washer Dryer Countertop

INSTALLATION MANUAL

BEFORE YOU START

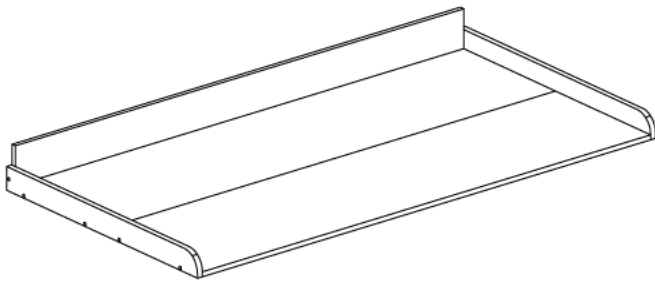
- Read each step carefully and follow it in the correct order.
- Separate and count all your parts and hardware.
- Give yourself plenty of room for the assembly process.
- CAUTION: If using an electric drill or power screwdriver to tighten. Be careful to slow down and stop when the screw is being tightened. Failure to do so may cause the screw to fall out. (Use of an electric screwdriver may increase assembly speed.)

HELPFUL HINTS

PEOPLE NEEDED FOR ASSEMBLY: 1-2

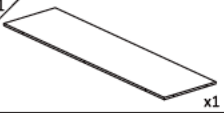



- Open your items in the area where you plan to store them to avoid overly heavy lifting.
- Identify, sort, and count parts before attempting assembly.
- Please fix all screws well, which will enhance the stability of the product.
- DO NOT use harsh chemicals or abrasive cleaners on this item.


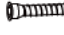


Do feel free to email us if you have any questions. We will reply you within 24 hours.
customer-support@transtekauto.com
 Our professional customer service team will serve you online all day.



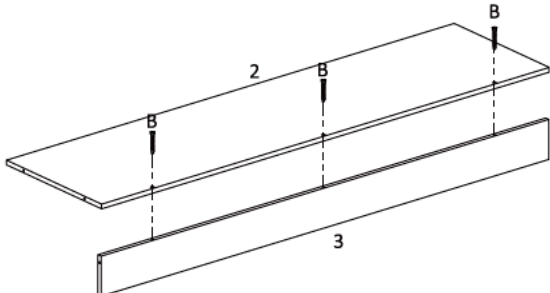
Assembling Instruction

Attention: Do not tighten the screws until all of them are in right positions

1  x1	2  x1	3  x1
4  x2		

A  M6 x3	B  M6x40 x13	C  x8	
--	---	--	---

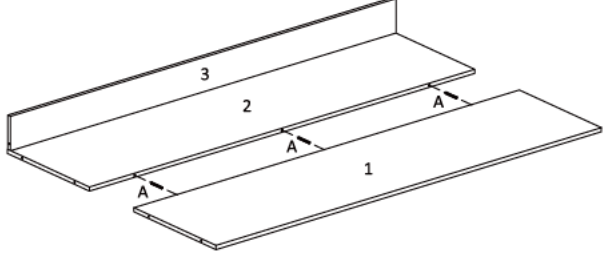
1



Use screw B to connect plate ② and plate ③.

B x3

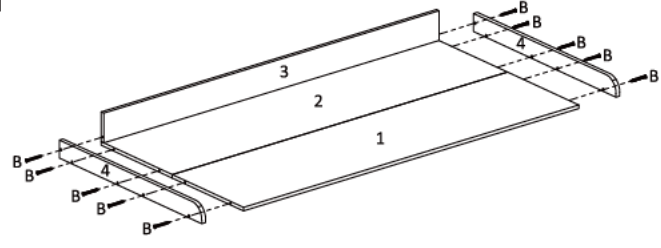
2



Use wooden dowel A to connect plate ① and plate ②.

A x3

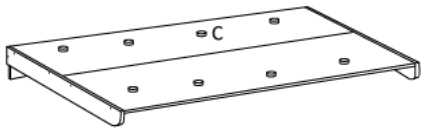
3



Use screw B to install two pieces of plate ④ on both sides as shown in the diagram.

B x10

4



Attach the anti-slip pads C to the bottom.

C x8