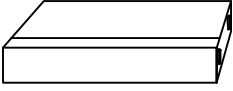
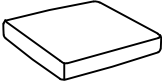

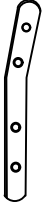

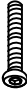


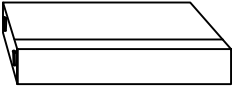


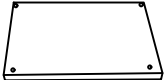
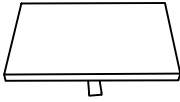

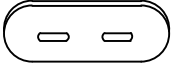
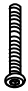

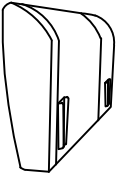



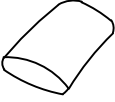
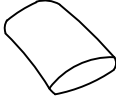
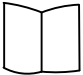


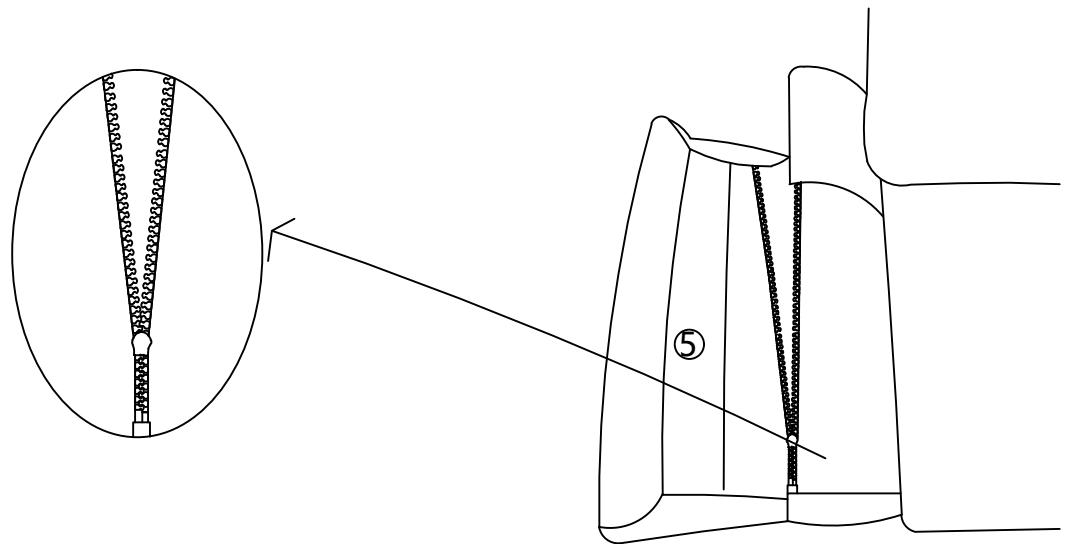
# Accessories list

Note: All the parts marked with \* are tucked under or with other parts

<p><b>A</b></p>  <p>Left seat frame(1)</p>	<p><b>B*</b></p>  <p>Seat cushion(4)</p>	<p><b>C*</b></p>  <p>Back cushion(3)</p>	<p><b>D*</b></p>  <p>supporting member for left backrest (facing sofa) (2)</p>
<p><b>E*</b></p>  <p>supporting member for right backrest (facing sofa) (2)</p>	<p><b>F*</b></p>  <p>6*16 Colour screw(32)</p>	<p><b>G*</b></p>  <p>M4*65*23 Wrench(2)</p>	<p><b>H*</b></p>  <p>Ottoman side pane(4)</p>
<p><b>I</b></p>  <p>Right seat frame(1)</p>	<p><b>J*</b></p>  <p>Corner brace connector(4)</p>	<p><b>K*</b></p>  <p>17mm Colour gasket(16)</p>	<p><b>L*</b></p>  <p>Ottoman base plate(1)</p>
<p><b>M*</b></p>  <p>Ottoman panel(1)</p>	<p><b>N*</b></p>  <p>Sofa foot(10)</p>	<p><b>O*</b></p>  <p>40x100x2 Black metal plate(1)</p>	<p><b>P*</b></p>  <p>6x25 Black screw(2)</p>
<p><b>Q*</b></p>  <p>16mm Black gasket(2)</p>	<p><b>R</b></p>  <p>Right armrest(1)</p>	<p><b>S</b></p>  <p>Left armrest(1)</p>	<p><b>T*</b></p>  <p>Right backrest(1)</p>
<p><b>U*</b></p>  <p>Left backrest(1)</p>	<p><b>Right armrest soft bag(1)</b></p>  <p>Right armrest soft bag(1)</p>	<p><b>Left armrest soft bag(1)</b></p>  <p>Left armrest soft bag(1)</p>	<p><b>Instruction Manual(1)</b></p>  <p>Instruction Manual(1)</p>

STEP 1:

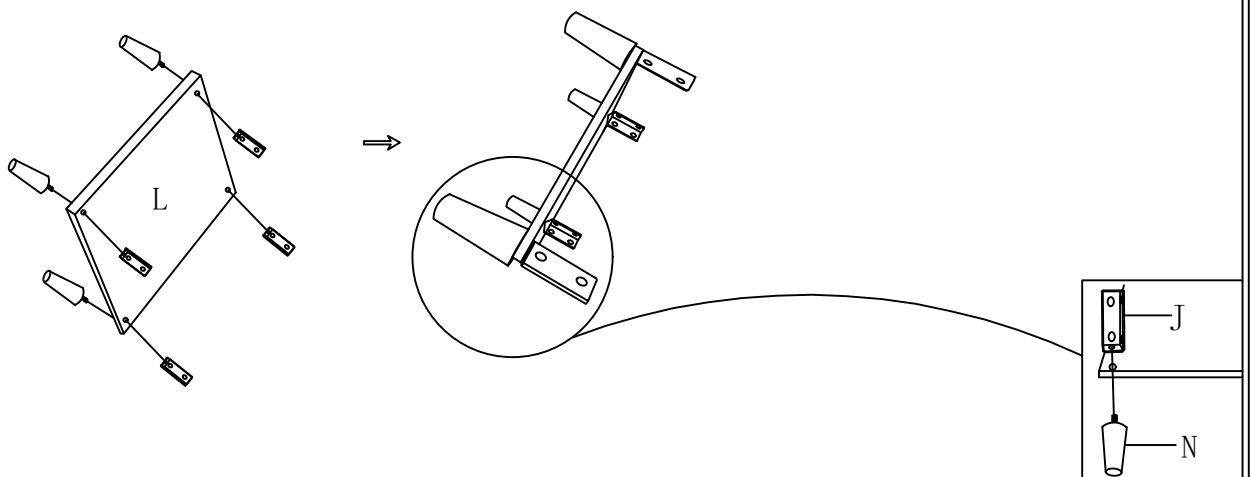
Zip the armrest soft bag of the armrest



STEP 2:

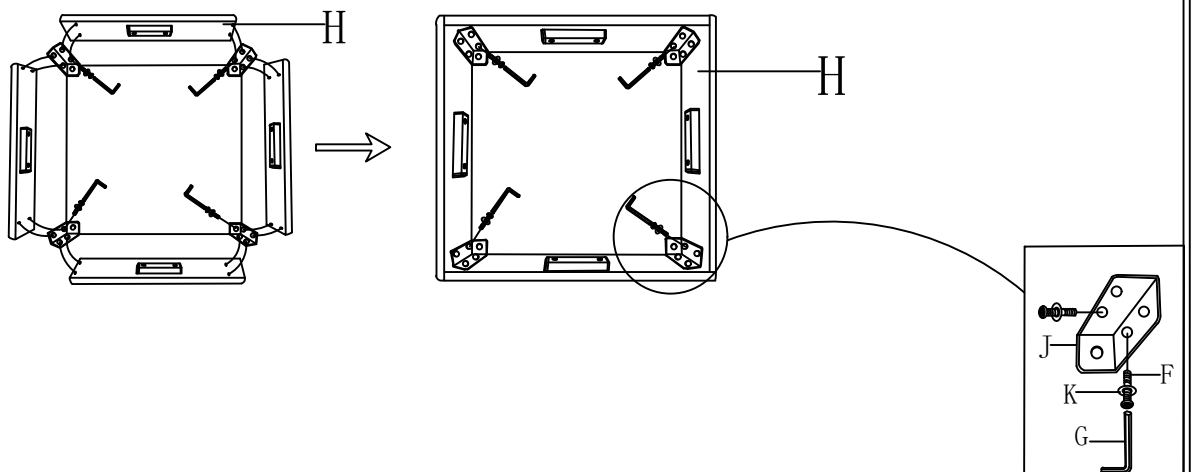
Fix sofa foot to the sofa pedal base plate and the foot pedal hardware.

Note: Foot pedal hardware faces the smooth surface of the sofa pedal base



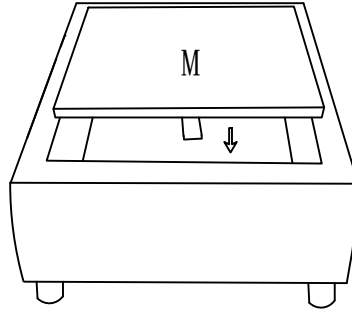
STEP 3:

Stagger the side panels of the corner brace connector of ottoman base plates, and distinguish between the top and bottom of the ottoman side panels



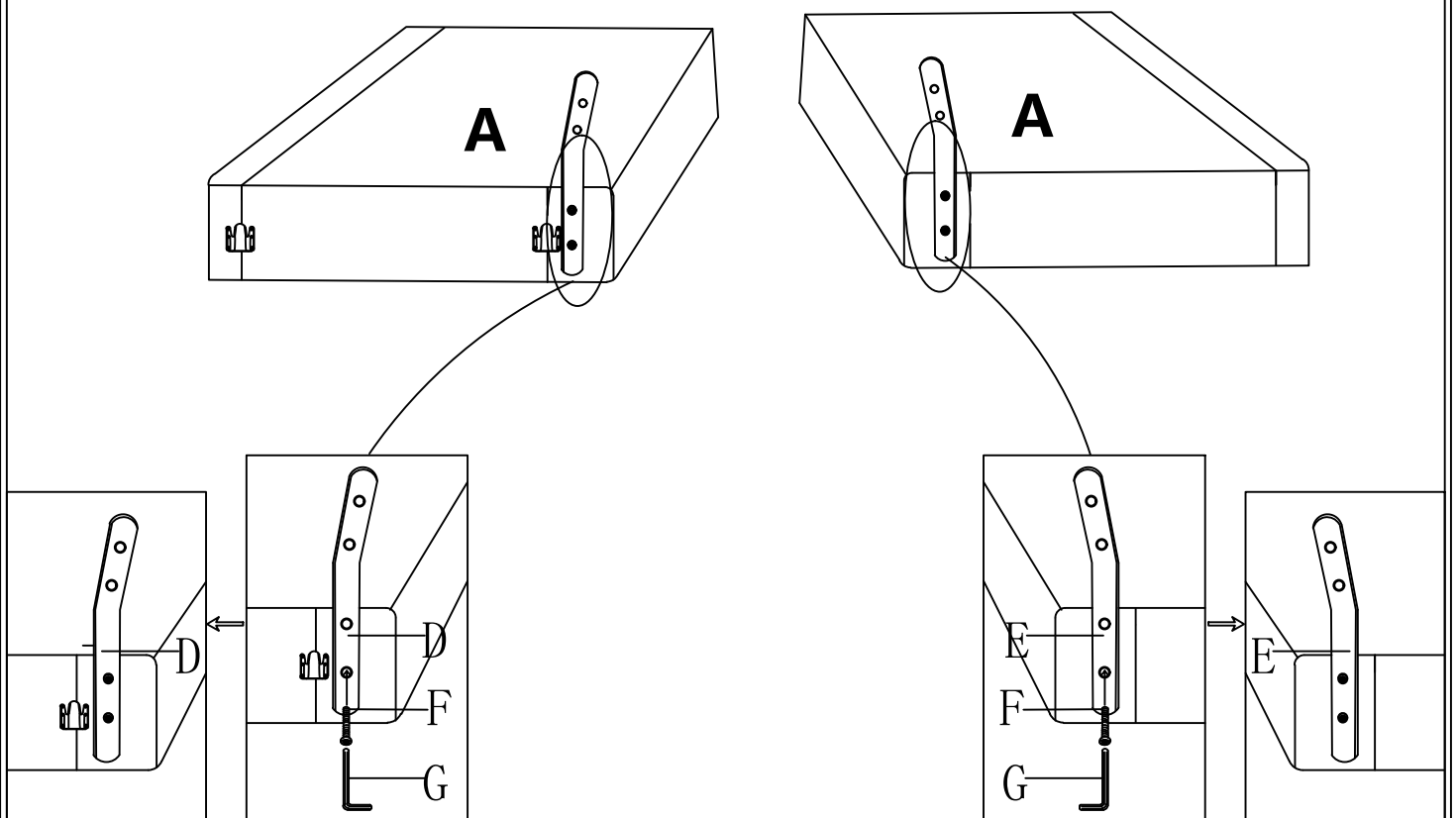
STEP 4:

Place the ottoman panel on the ottoman frame



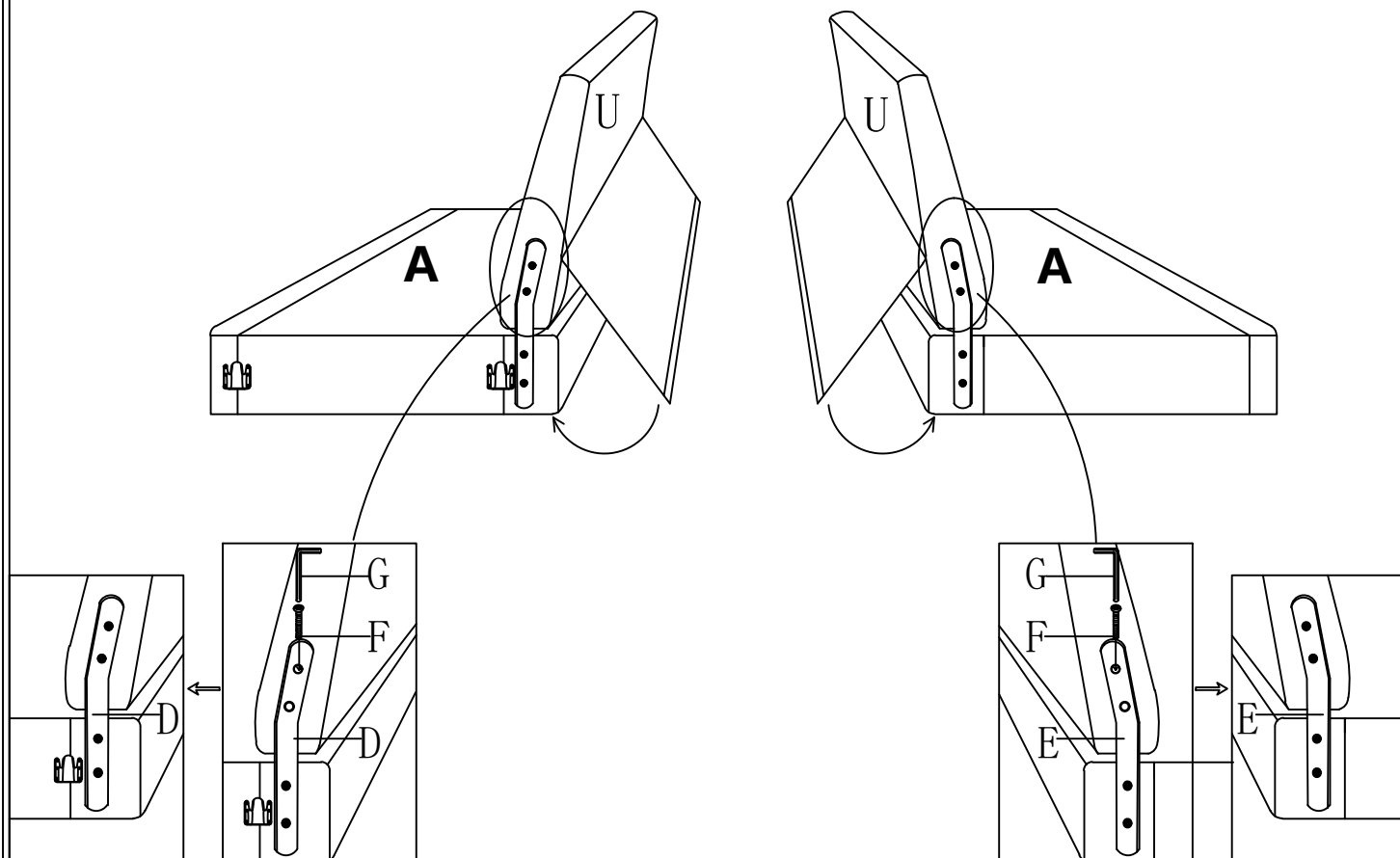
STEP 5:

Install backrest hardware accessories on both sides of the left seat frame of the sofa and distinguish the left and right



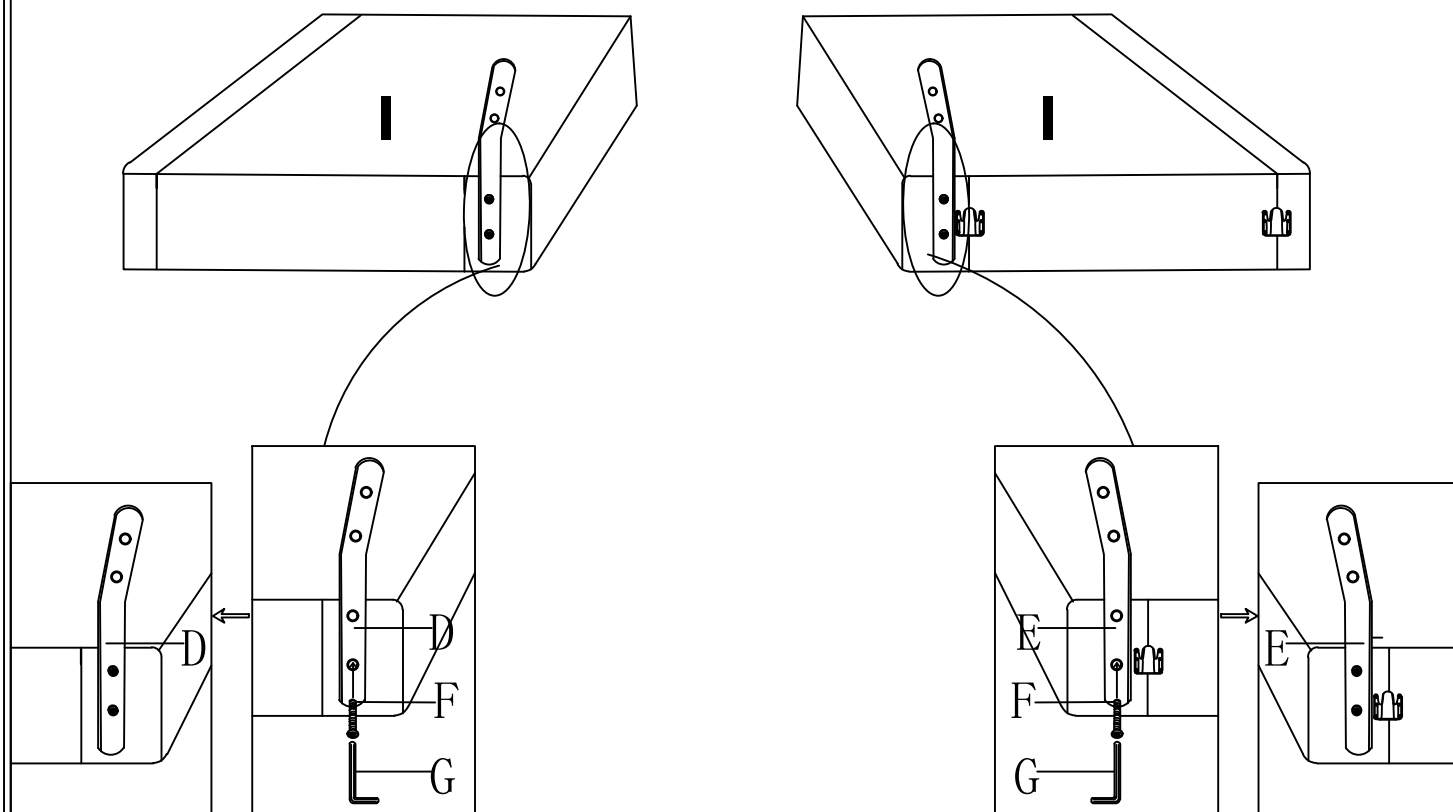
STEP 6:

Fasten the backrest to the backrest support pieces on both sides of the left seat frame with screws, put down the back cloth and stick the Velcro under the sofa seat frame



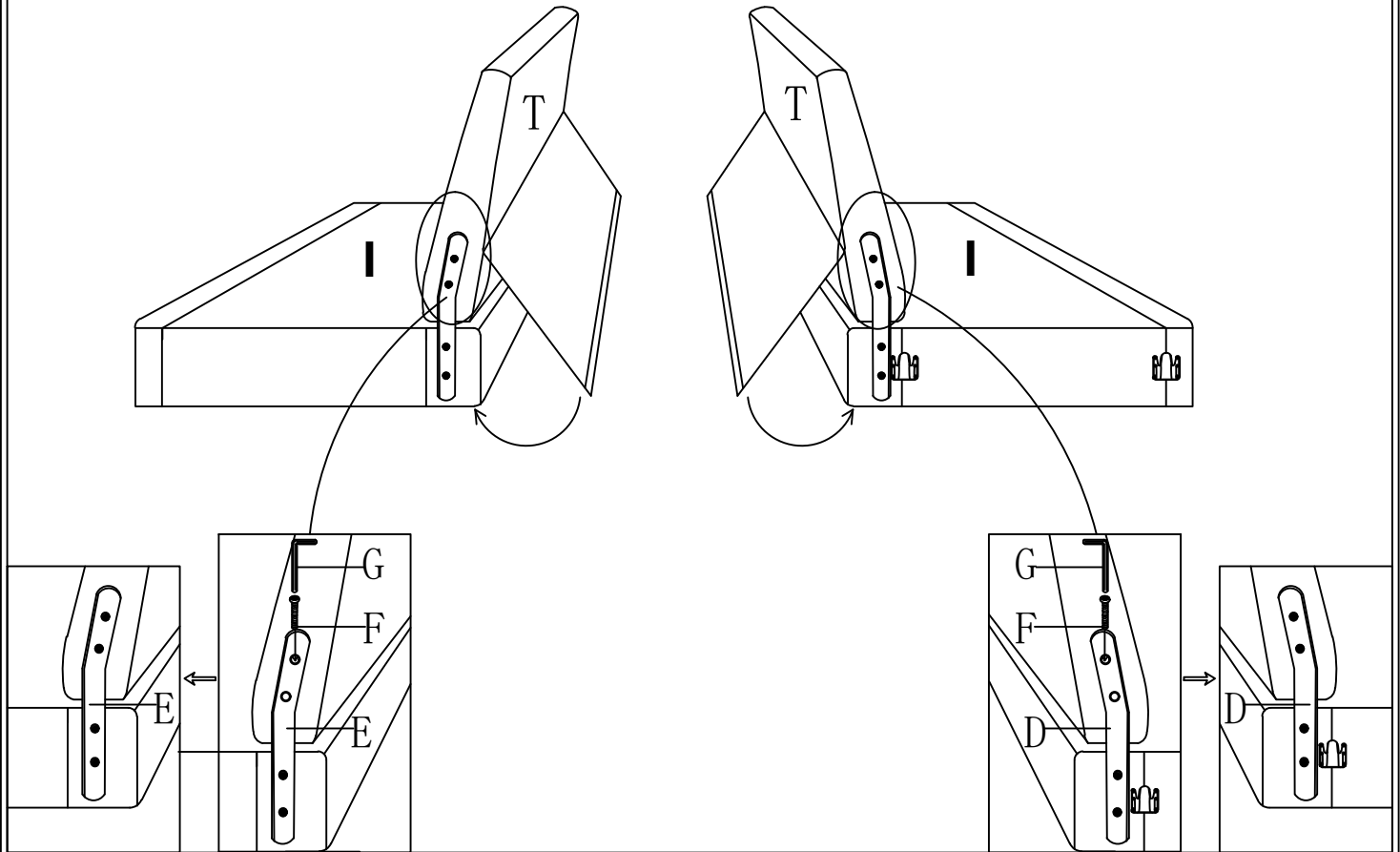
STEP 7:

Install backrest hardware accessories on both sides of the right seat frame of the sofa and distinguish the left and right



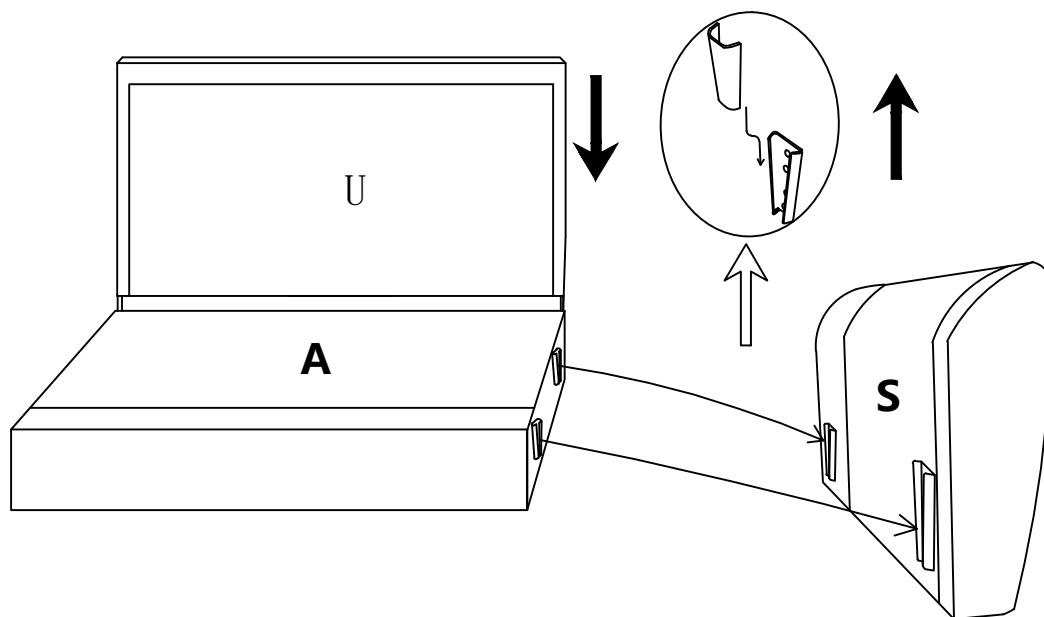
STEP 8:

Fasten the backrest to the backrest support pieces on both sides of the right seat frame with screws, put down the back cloth and stick the Velcro under the sofa seat frame



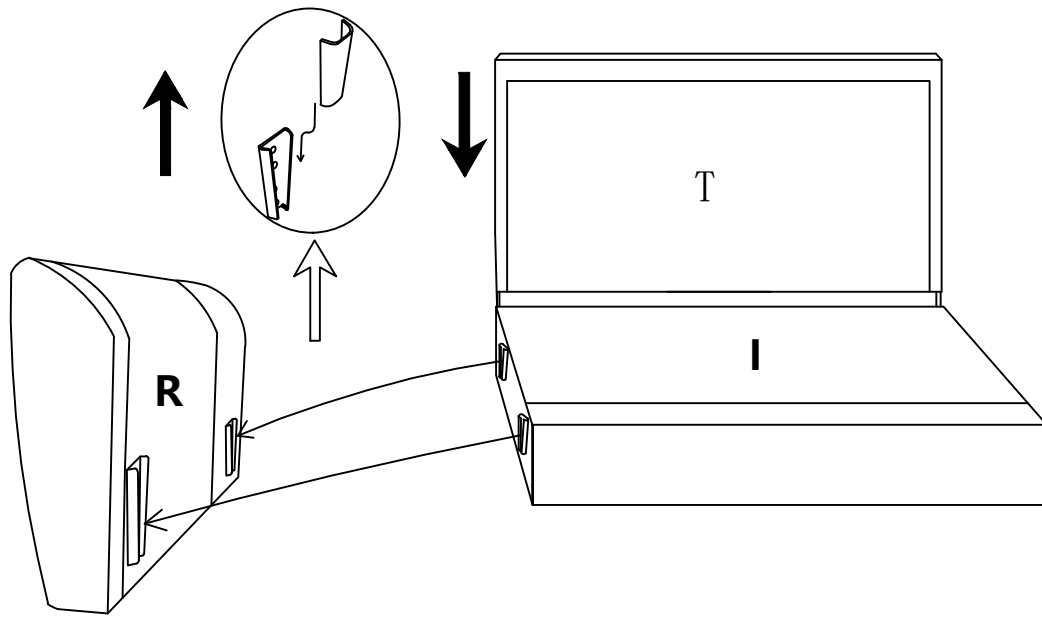
STEP 9:

Insert the left seat frame into the left armrest



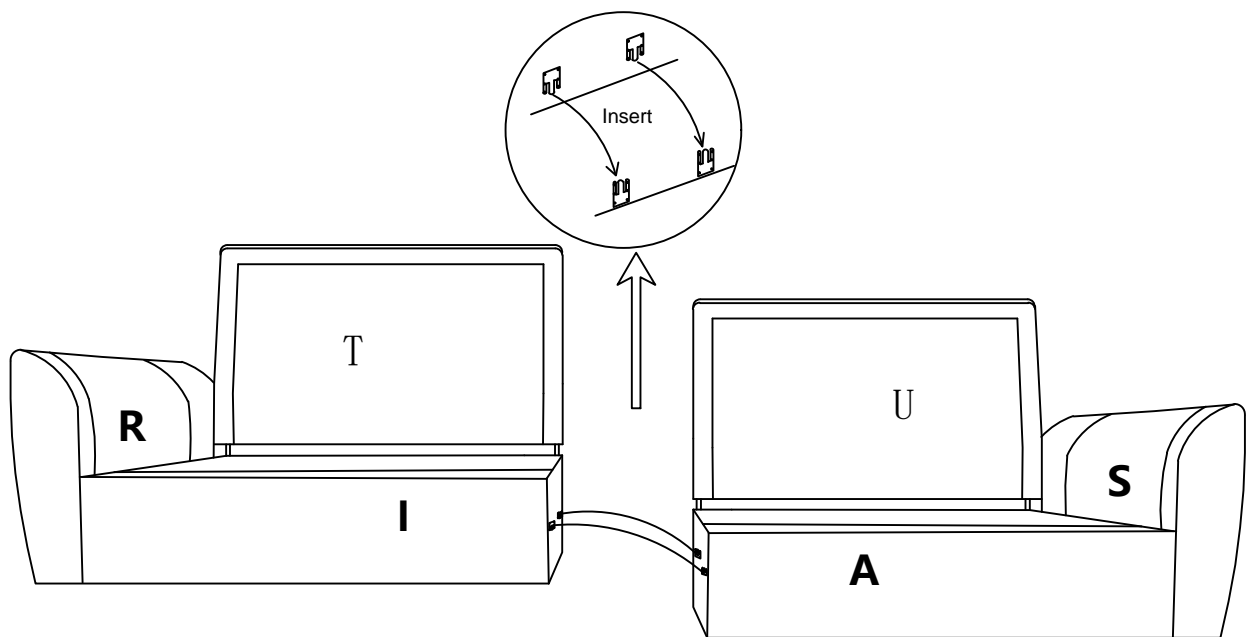
STEP 10:

Insert the right seat frame into the right armrest



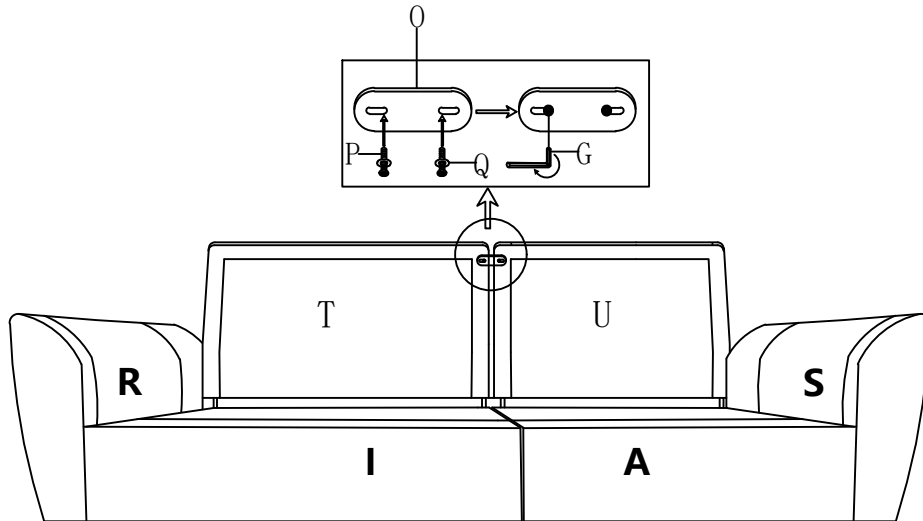
STEP 11:

Insert double seat frame into double seat frame



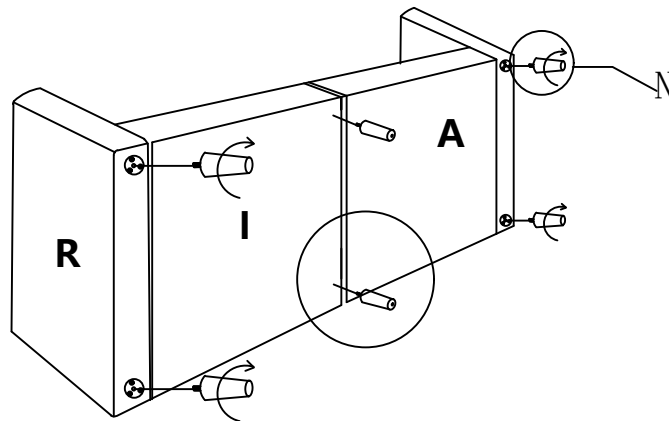
STEP 12:

Take out the sofa connecting piece and 2 black screws to connect both sides of the sofa backrest



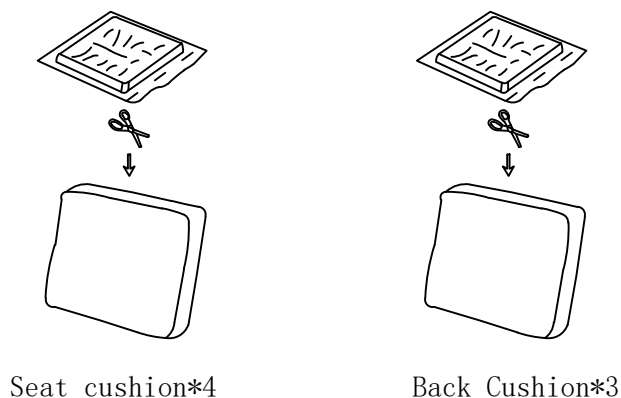
STEP 13:

Connect the sofa seat frame and install the sofa feet

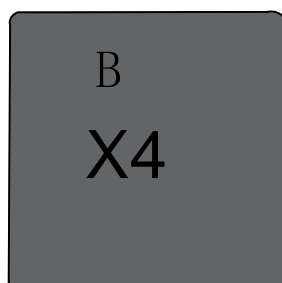
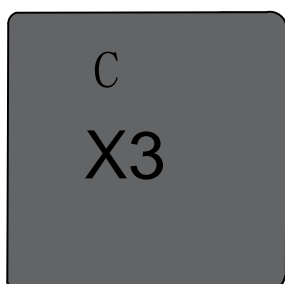
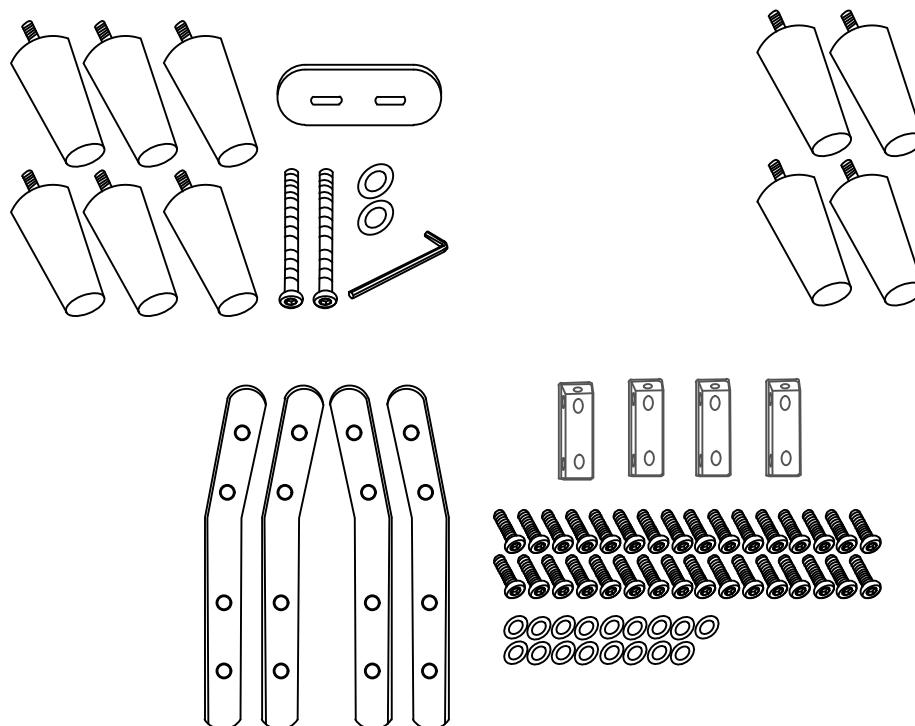


STEP 14:

Open compression bag with scissors  
(seat cushion \*4, backrest cushion \*3),  
Put the seat cushions and back cushions on the sofa



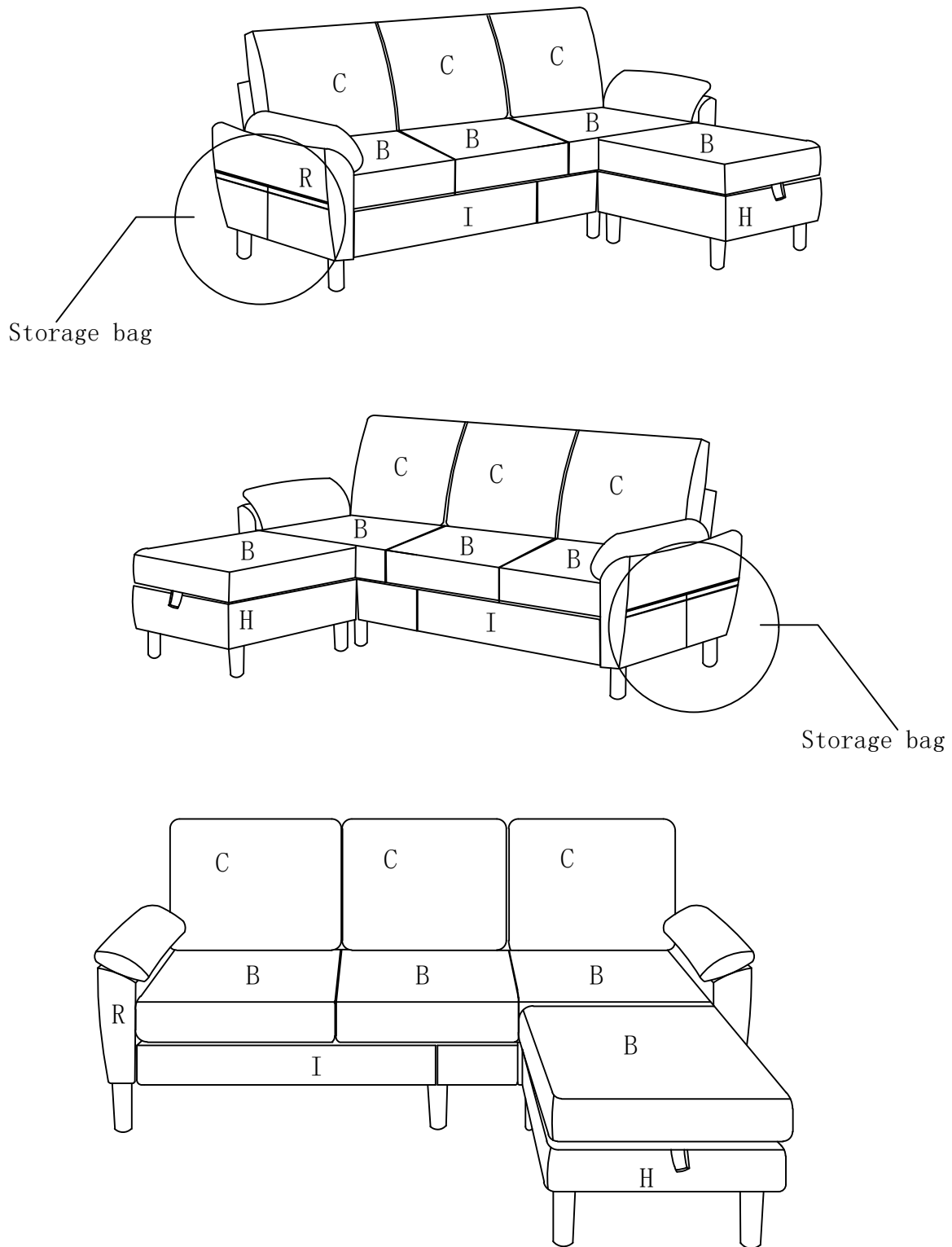
Sofa feet and backrest hardware are placed in the sofa seat frame



Three small back cushions and four small seat cushions are placed in the sofaseat frame

**STEP 15:**

Put the seat cushion and then the back cushions on the sofa



**Tip:**

1. Back cushions are compressed to prevent humidity and mold, sometimes it's inevitable to find some wrinkles when you get them out, you can iron them or use them to help them to get back into the original shape.
2. Hand wash is preferred for daily care.