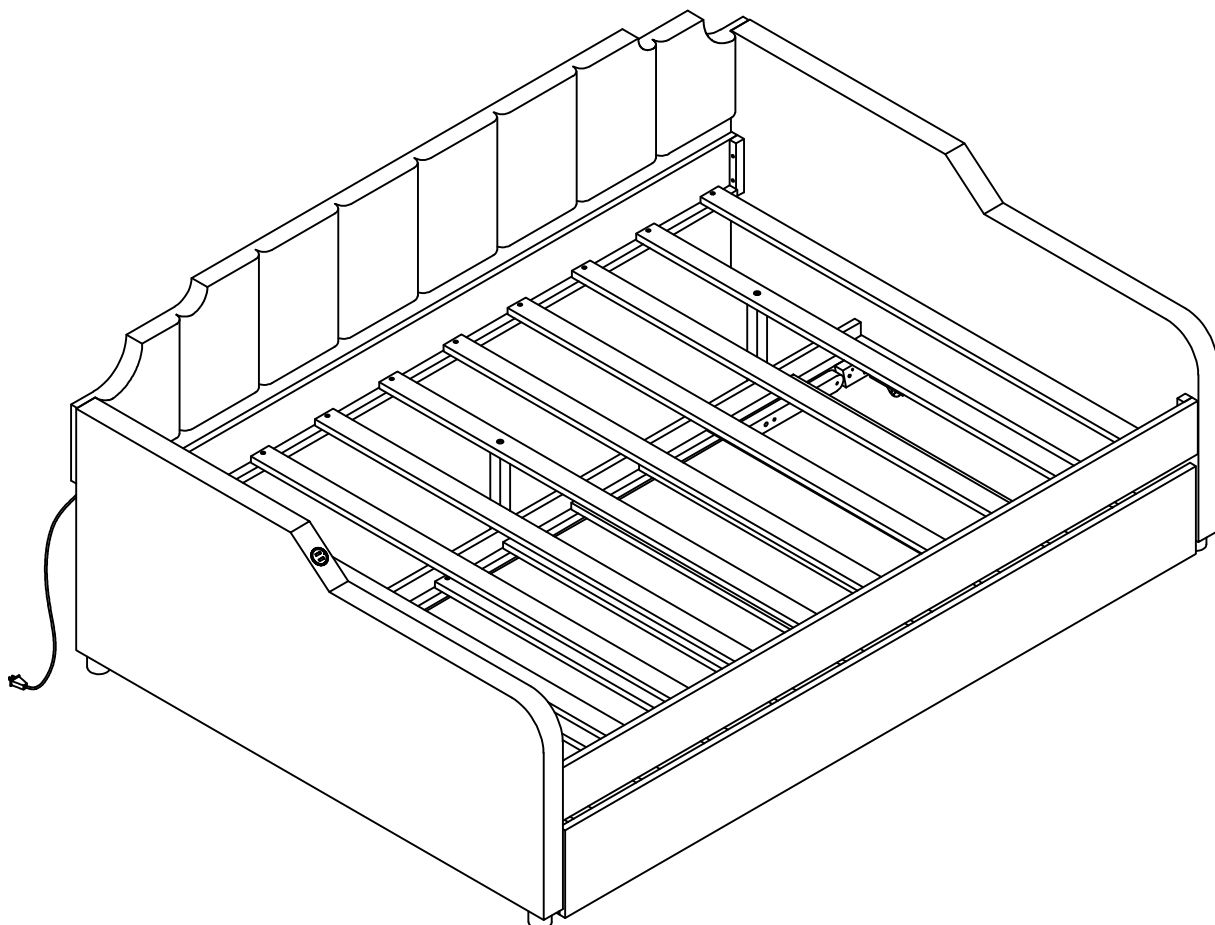


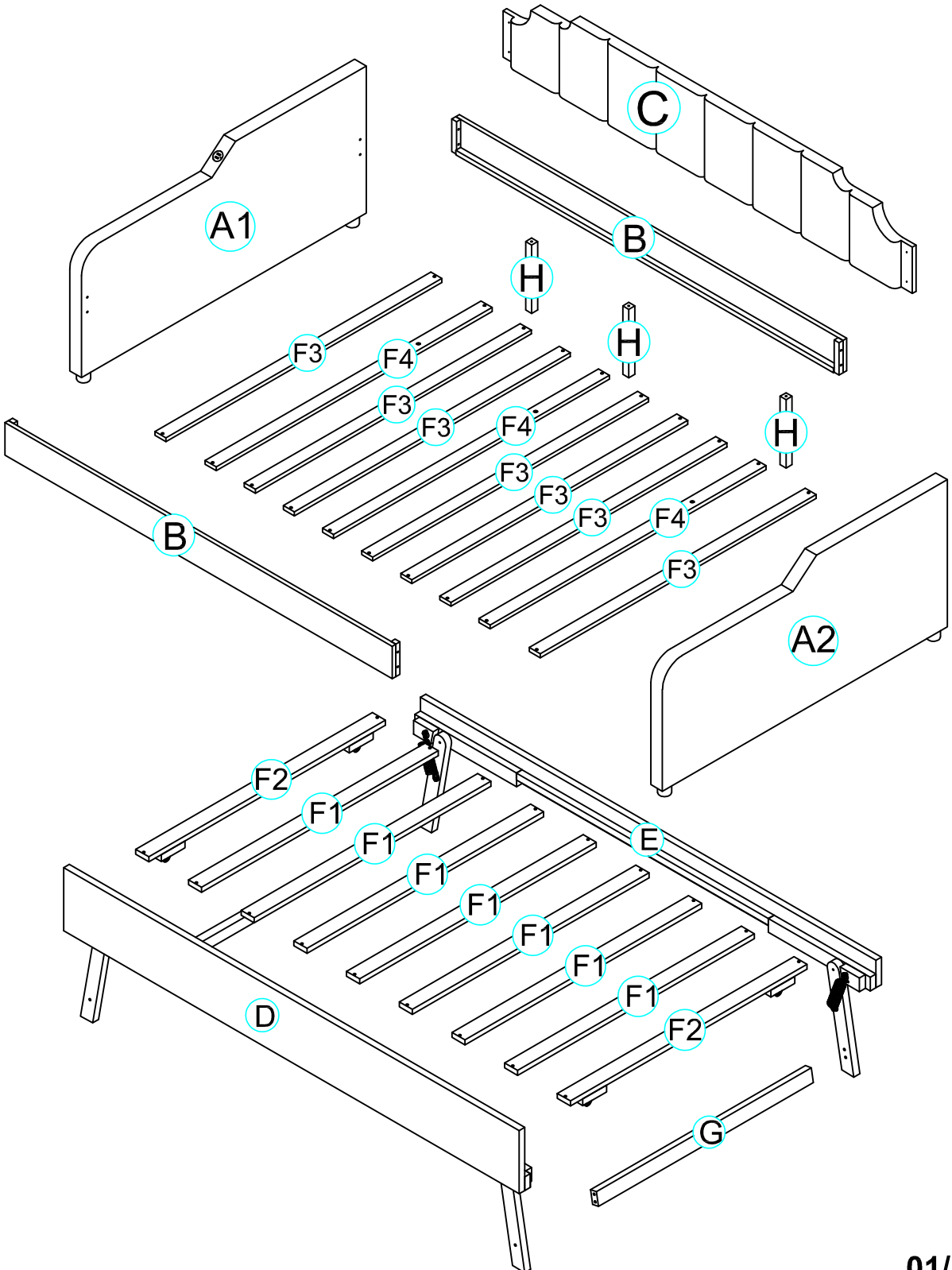
# ASSEMBLY INSTRUCTION



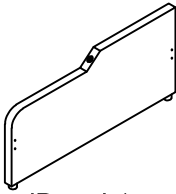
## **! SAFETY WARNINGS !**

1. This bed is designed for use FULL Mattress 74 inch Long 54 inch Wide and 74 inch Long 39 inch Wide.
2. Always use the recommended size mattresses or mattress supports, or both, to help prevent the likelihood of entrapment or falls.
3. Do not allow horseplay on or under the bed and prohibit jumping on the bed
4. Do not use substitute parts. Contact the manufacturer or dealer for replacement parts.
5. Keep these instructions for future reference

# ASSEMBLY INSTRUCTION

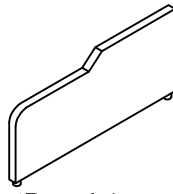


A1



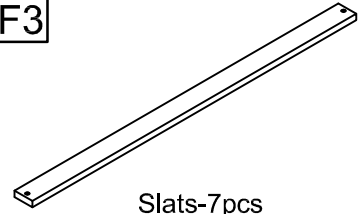
HeadBoard-1pcs

A2



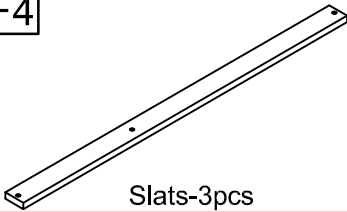
FootBoard-1pcs

F3



Slats-7pcs

F4



Slats-3pcs

## Hardware List

1



Plastic Feet(Ø50x40)  
4pcs

2



Ø11.5 x 15 mm  
Horizontal-Hole bolts 4pcs

3



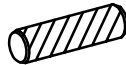
Ø1/4" x 60 mm  
Wood Screws 12pcs

4



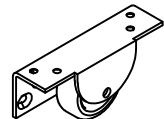
M4 x 30 mm  
Wood Screws 44pcs

5



Ø10 x 30 mm  
Wood dowel 4pcs

6



Wheels 4pcs

7



Allen Key 1pcs

8



Steel Bracket  
3pcs

9



M4 x 15 mm  
Wood Screws 16pcs

10



Ø1/4" x 60mm  
Hex-Head bolts 4pcs

11

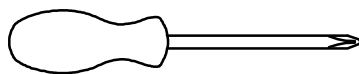
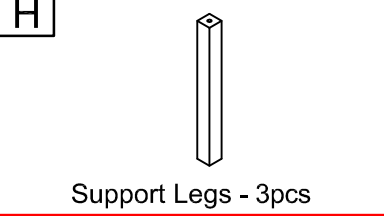
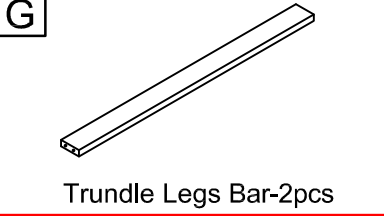
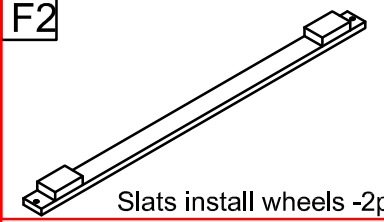
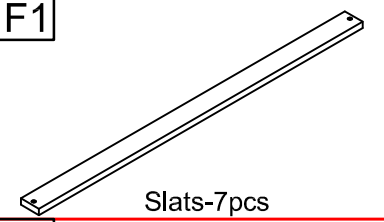
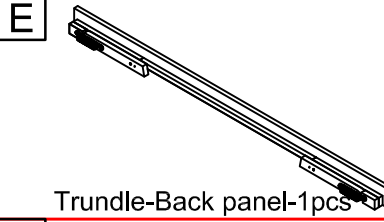
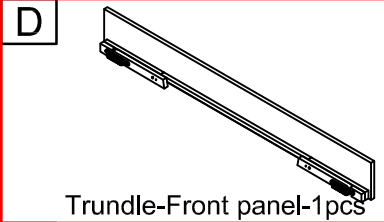
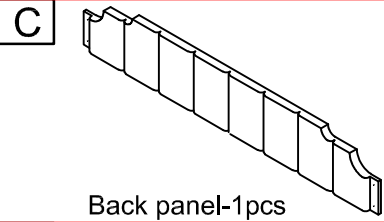
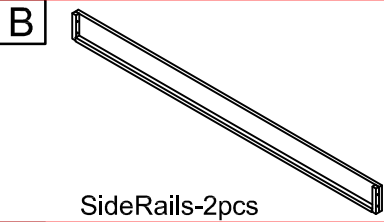


Ø1/4" x 25mm  
Hex-Head bolts 3pcs

12



Plastic Drawer Stopper  
4 pcs



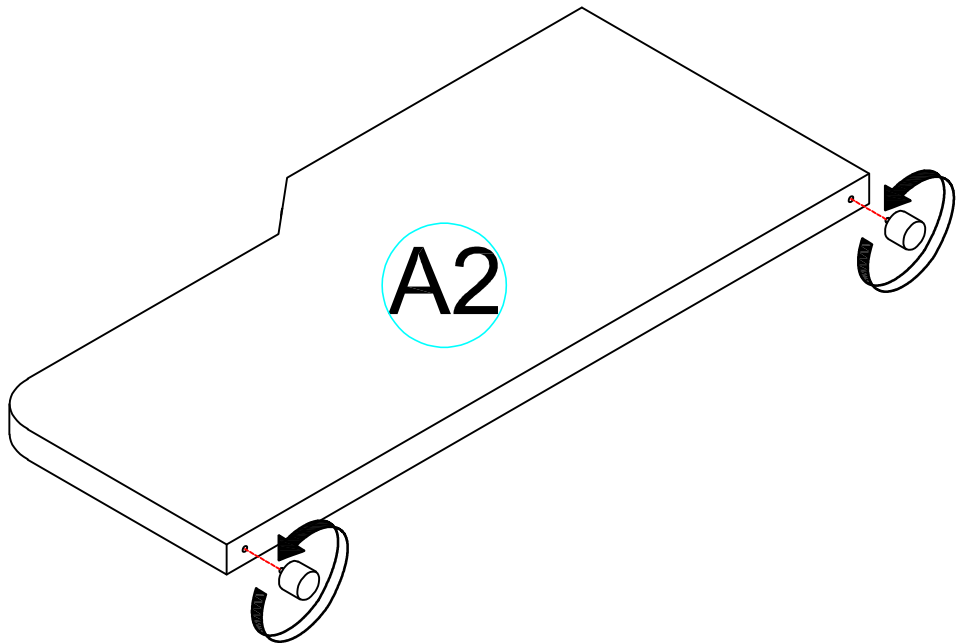
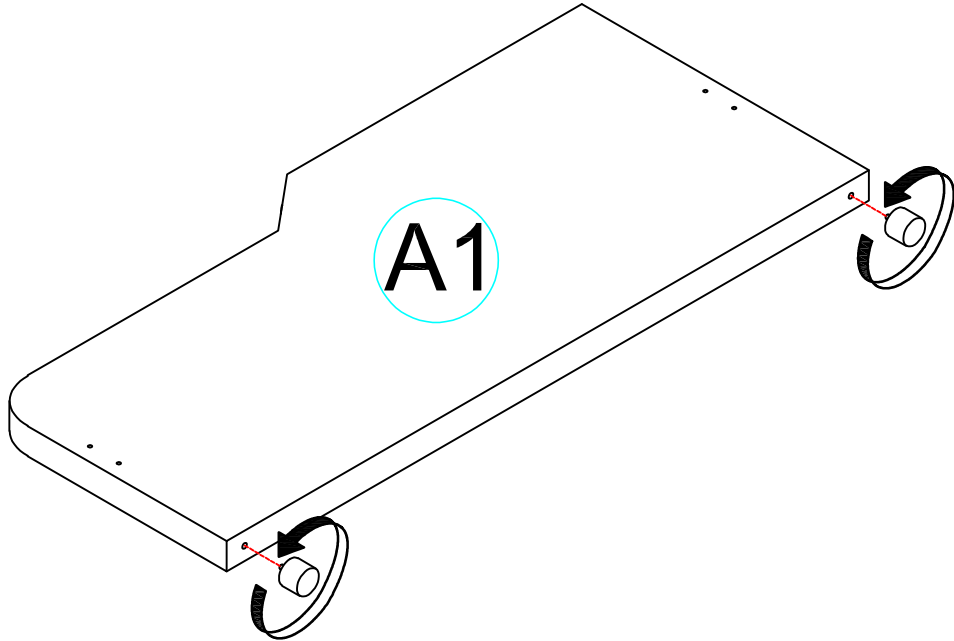
**Assembly Tools Required (Not Included)**

**STEP 1:** Following below illustration Assembly Plastic Feet(#1) With Headboard and Footboard use HW #2

1

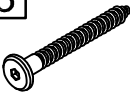




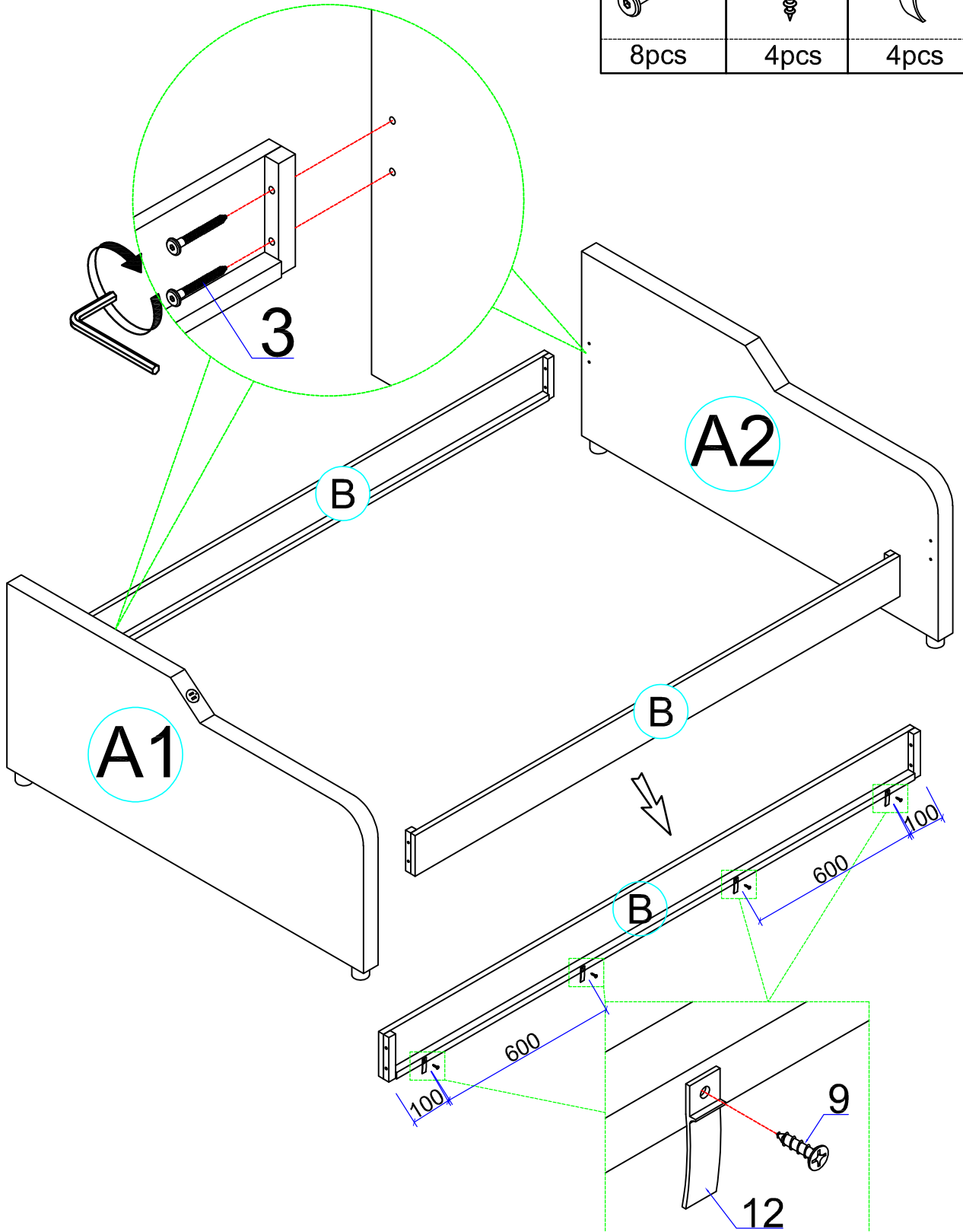
4pcs



# STEP 2:

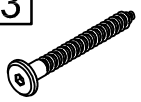
Following below illustration Using hardware #2 to Assembly Headboard and Footboard with siderail B(x2). Look at detail view for more detail

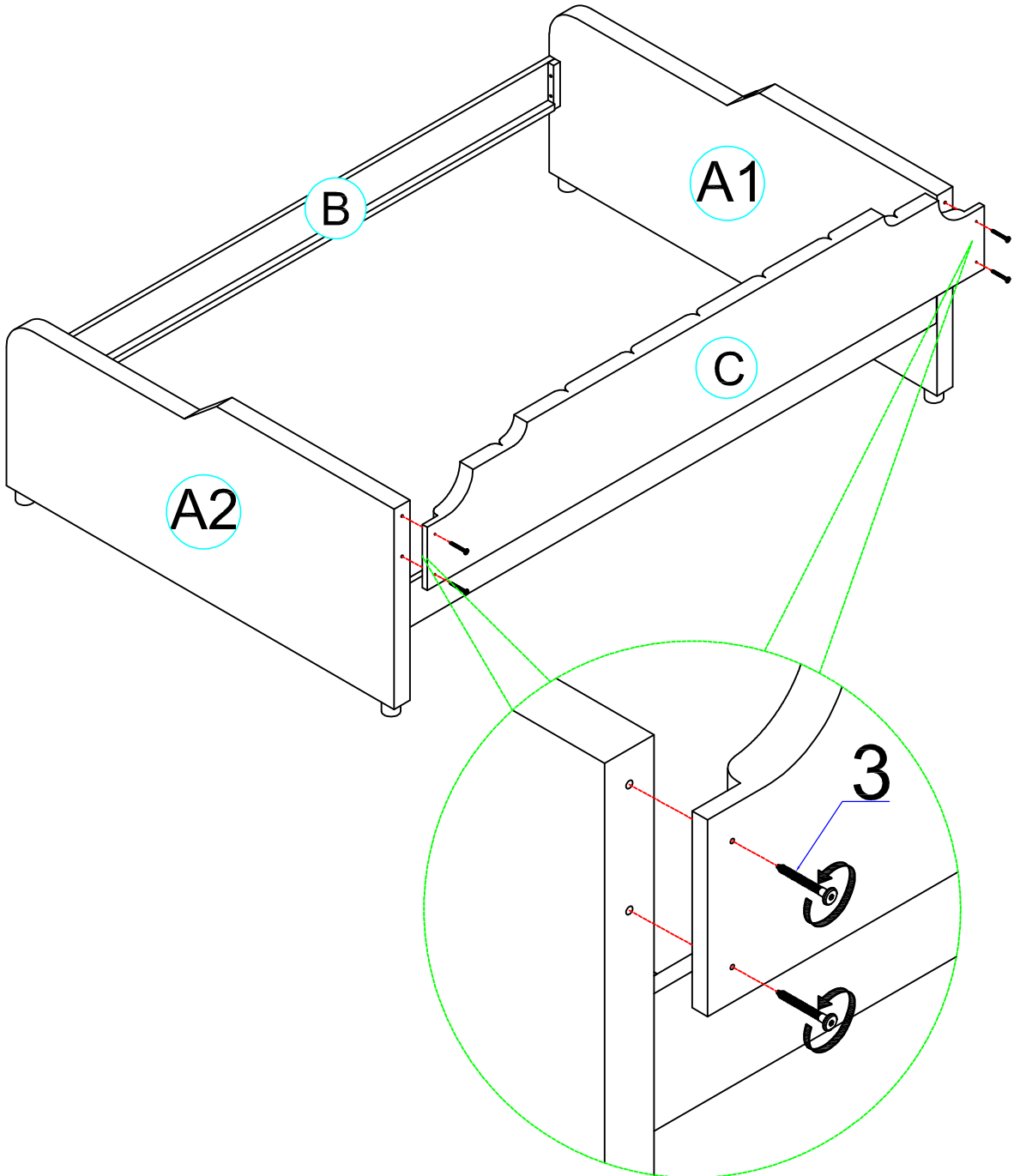
3		9		12	
8pcs		4pcs		4pcs	



# STEP 3: Following below illustration

-Using hardward #3 to Assembly Frame(completed on step 2) with Bach Frame C

3	
4pcs	





# STEP 4:

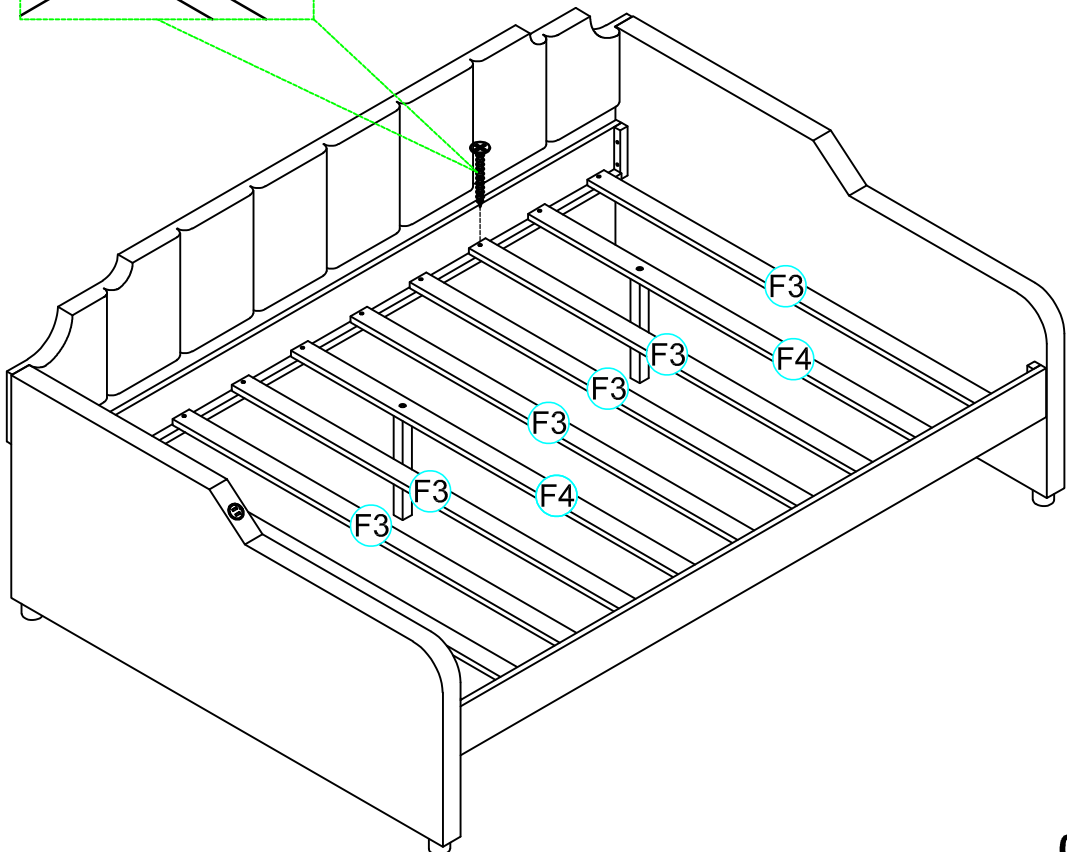
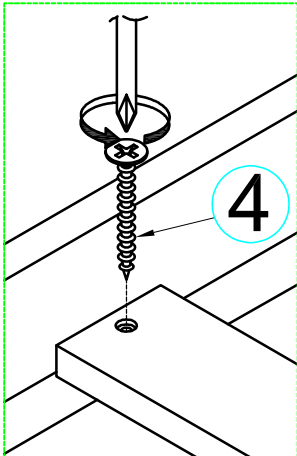
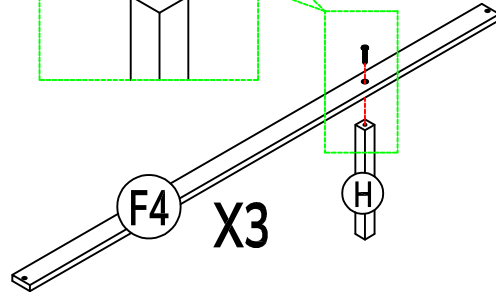
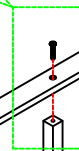
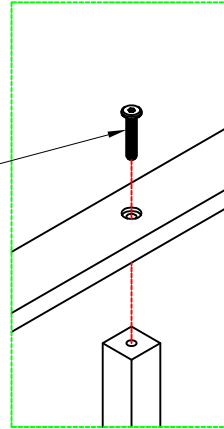
Following below illustration:

-Screw 10 slats F with Side Rail B by using hardware #4.

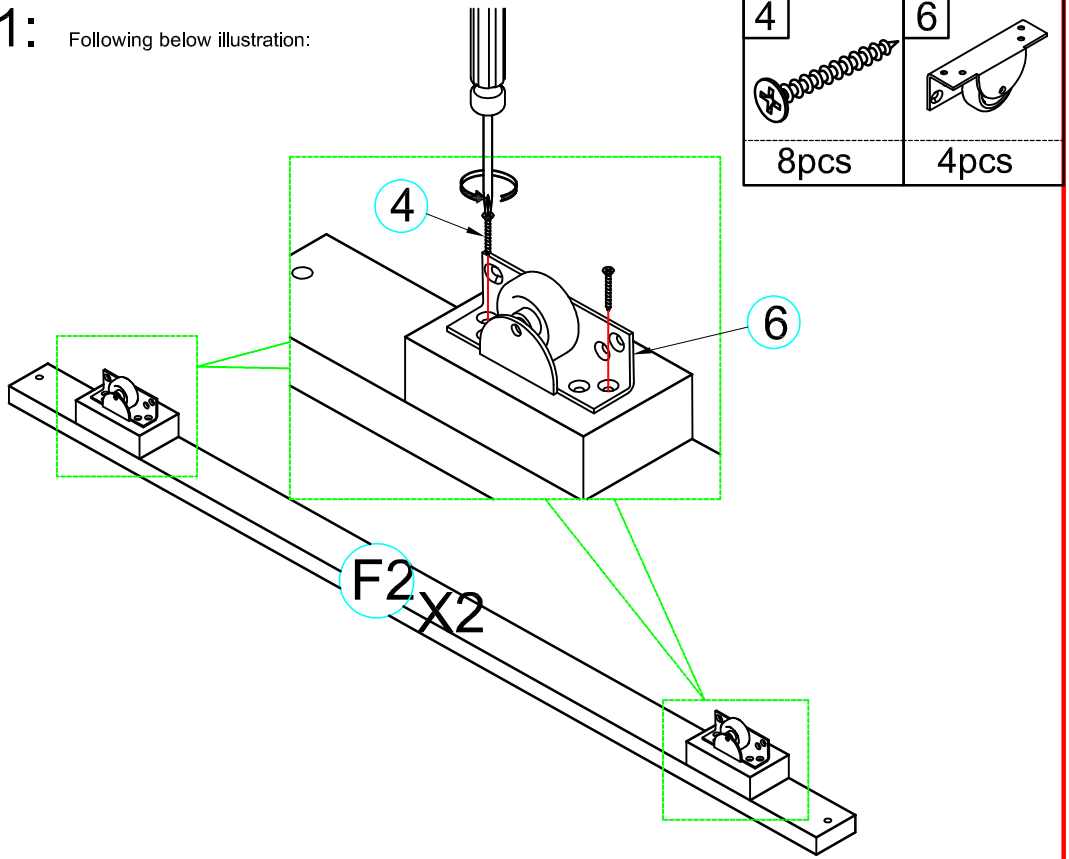
-Look at detail view for more detail

11		4	
	3pcs		20pcs

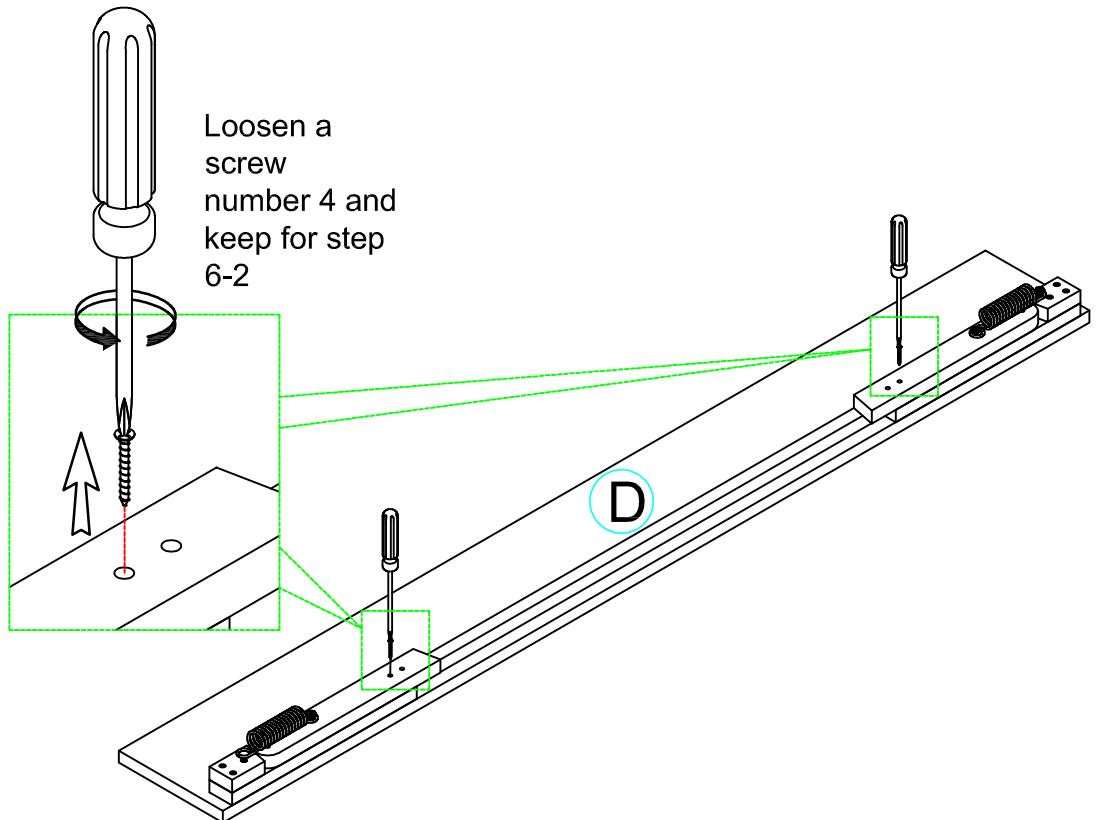
11



# STEP 5-1: Following below illustration:






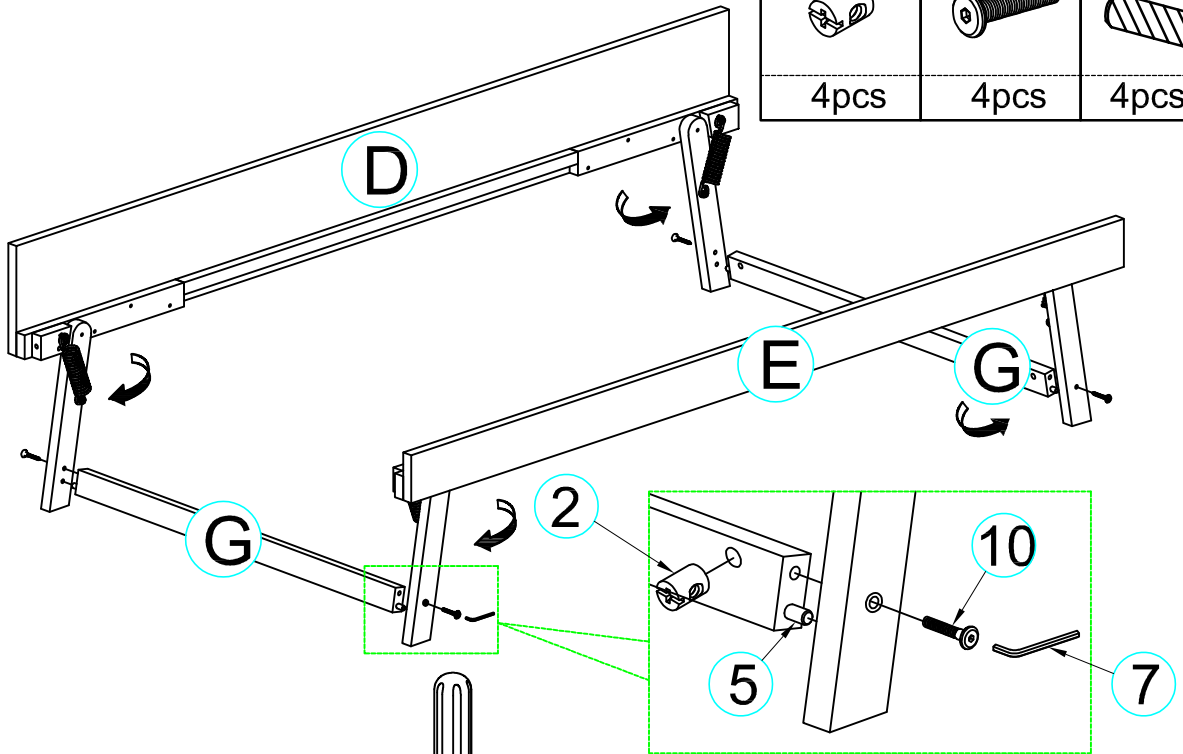
# STEP 5-2: Loosen a screw number 4 and keep for step 6



# STEP 6-1:


Following below illustration:

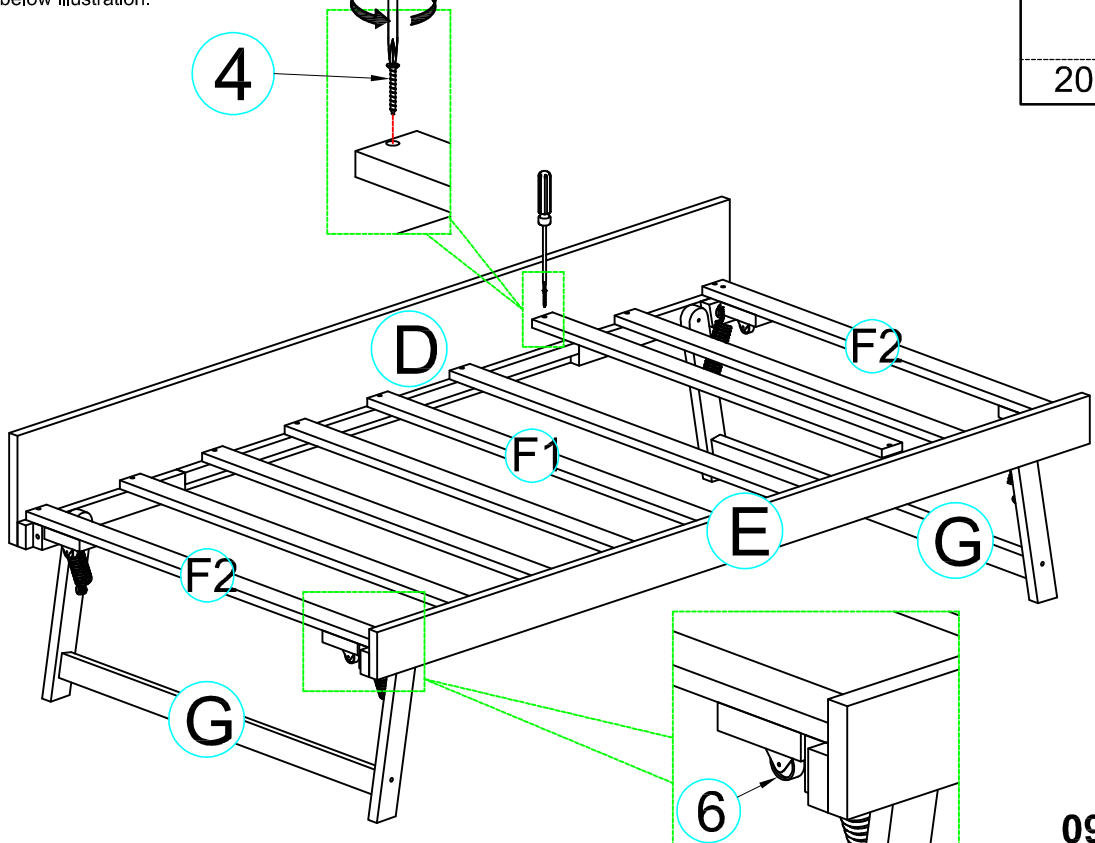
2	10	5
		
4pcs	4pcs	4pcs





# STEP 6-2:

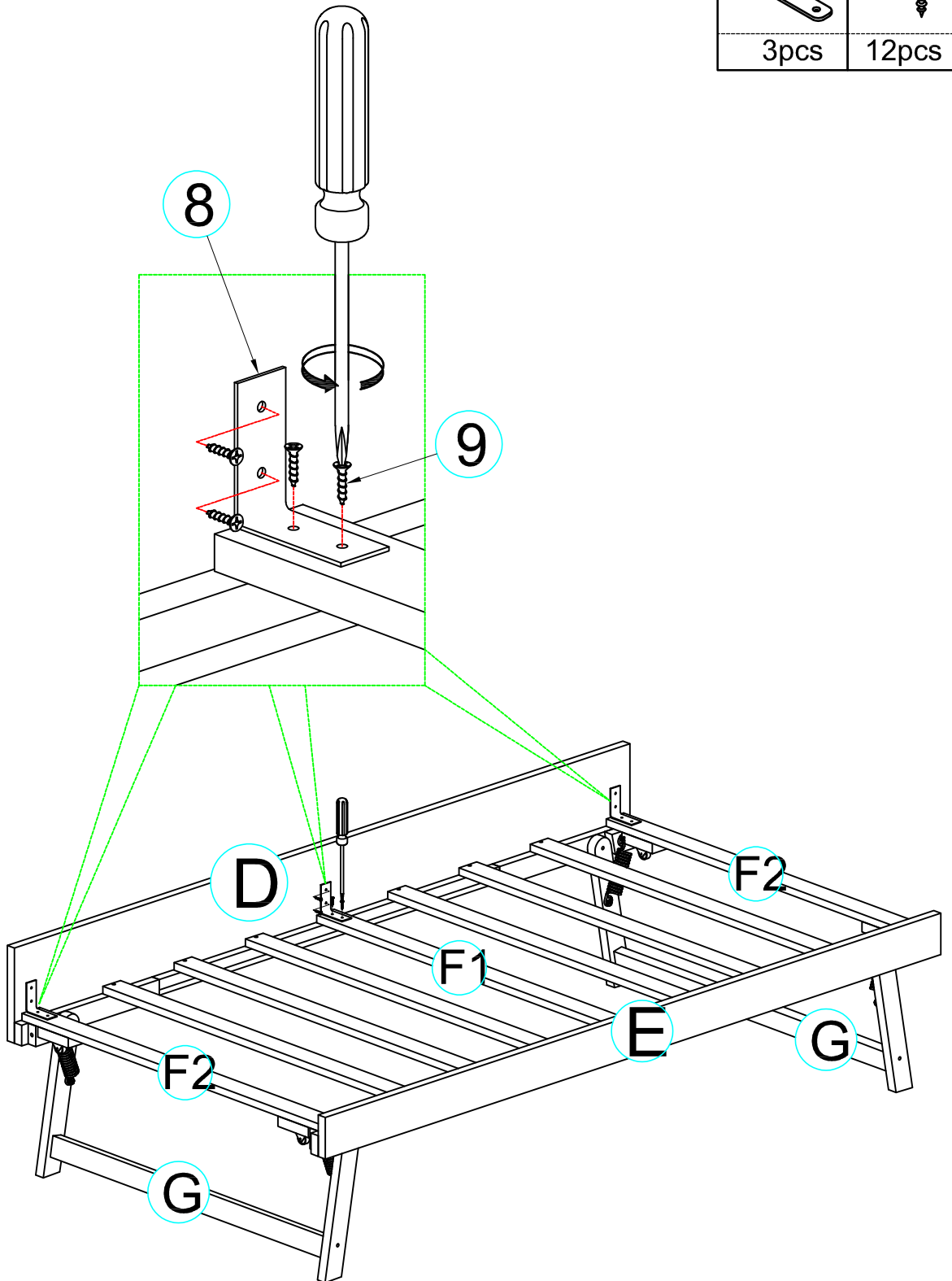
Following below illustration:

4	
20pcs	



# STEP 7: Following below illustration:

8		9	
3pcs		12pcs	



# FINISH

