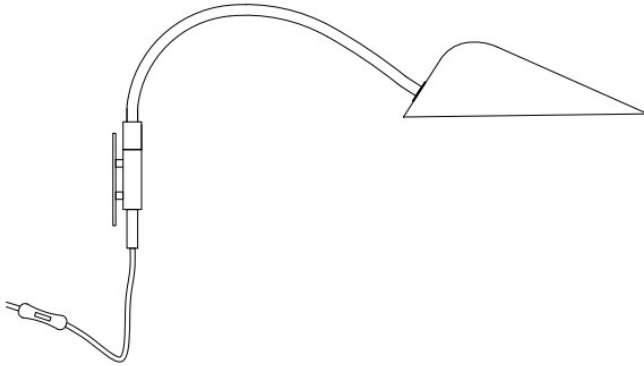


WALL LAMP

ASSEMBLY GUIDE



Important - Please read these instructions fully before starting assembly



**SAFETY AND
CARE ADVICE**



NO POWER TOOLS

SAFETY AND CARE ADVICE

- Check you have all the components and tools listed.
- We recommend seeking assistance from a qualified electrician for this installation.
- This light can only be used with a 220V~240V 50Hz power source
- Intended for indoor use and must not be used in bathrooms or near any liquids
- **Do NOT turn on or use with product until it has been completely assembled and the light bulb has been installed. During assembly or maintenance, make sure the lamp is disconnected from the mains.**
- Under no circumstances must this light fixture be covered with any type of material or have anything hung from any part of the lamp. Covering the lamp could pose a safety hazard.
- If the external flexible cord or switch of the lamp is damaged, do NOT use the lamp under any circumstances.
- Waste electrical products cannot be disposed of with normal household waste. Please check with your local authority for your nearest recycling centre that accepts electrical products.
- When replacing the light bulb, make sure the lamp is switched off at the mains plug to allow it to cool down. (CAUTION: light bulbs get hot during use)

IMPORTANT INFORMATION



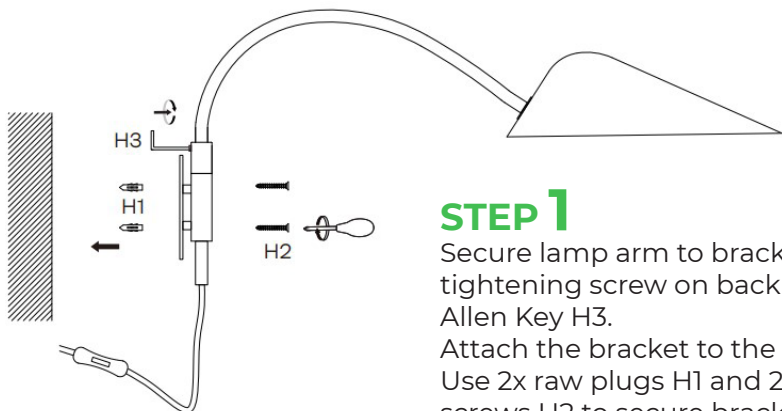
15 MINUTE
BUILD



ONE
PERSON

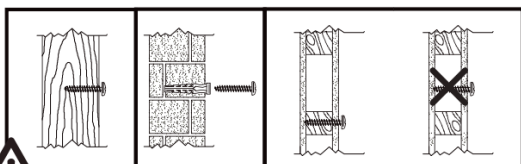
SAFETY AND CARE ADVICE (CONTINUED)

- Make sure to use the correct wattage and type of light bulb for the lamp. Using light bulbs of a higher wattage than the lamp requires can cause a safety hazard and may cause damage to the lamp. Light requires 1x E14 bulb, max. 18W (bulb not included)
- Always shut off power to the circuit before starting installation work.
- Incorrect assembly and/or use of the lamp will void the warranty.



STEP 1

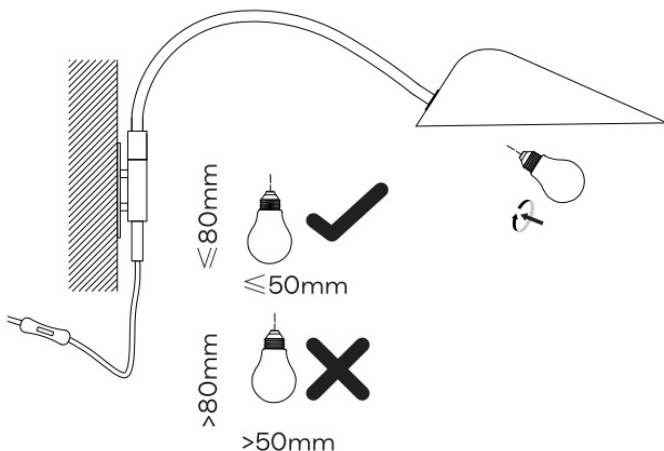
Secure lamp arm to bracket by tightening screw on back using Allen Key H3. Attach the bracket to the wall. Use 2x raw plugs H1 and 2x screws H2 to secure bracket.



Ensure you are using the correct fixings for your wall and seek out studs in cavity walls.

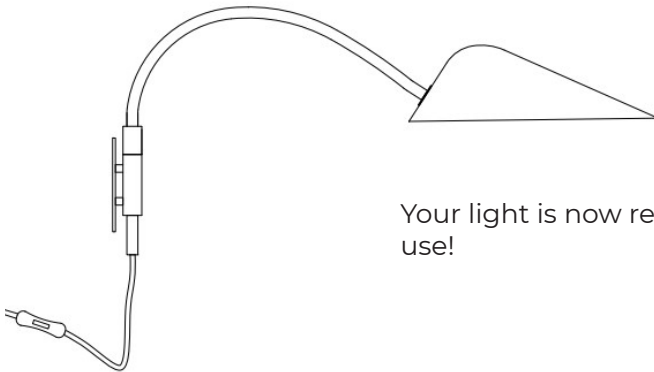
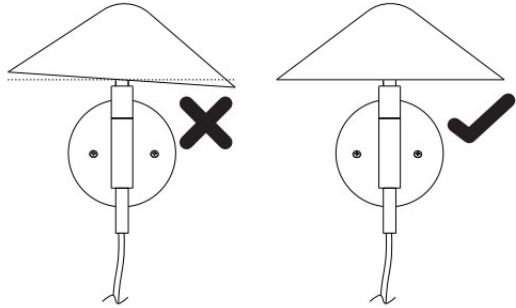
STEP 2

Carefully insert the bulb into the socket. You will need 1x E14 bulb (not included).



STEP 3

Ensure the lampshade is straight.



Your light is now ready to use!

NOTE: The quantities here are the correct amount to complete the assembly. In some cases more fittings may be supplied than are required.



OUR 2 YEAR* GUARANTEE

our products come with a 2 year guarantee
to give you peace of mind shopping

*excludes some garden furniture items
which have a 1 year guarantee



WHAT THE GUARANTEE COVERS



PRE-INSERTED FIXINGS
e.g. loose metal threads



FAULTY JOINTS
e.g. legs bending



EXTERNAL FIXING FAULTS
e.g. bonding/glue



STRUCTURAL INTEGRITY
e.g. the frame of the
product