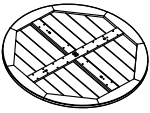
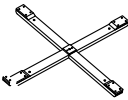

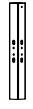


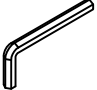

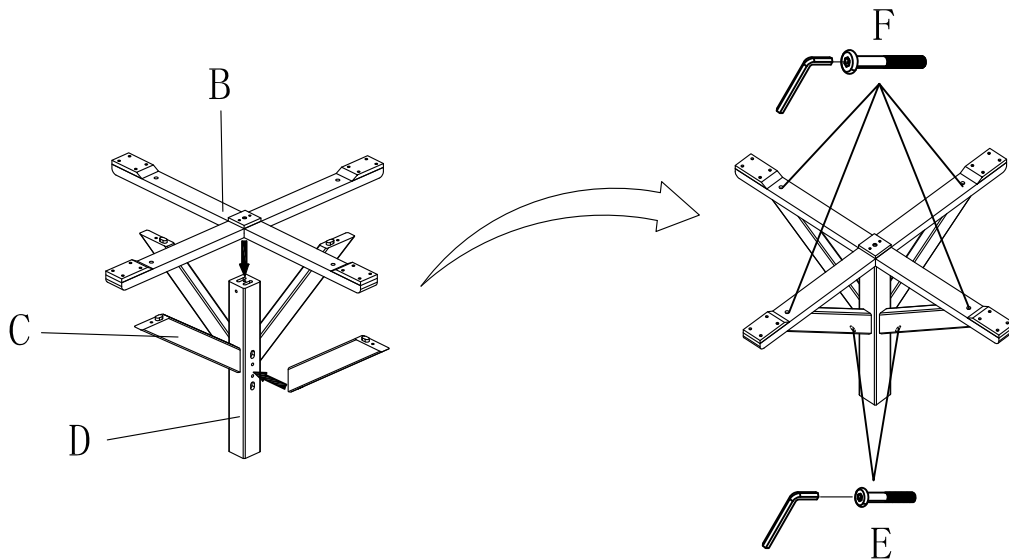


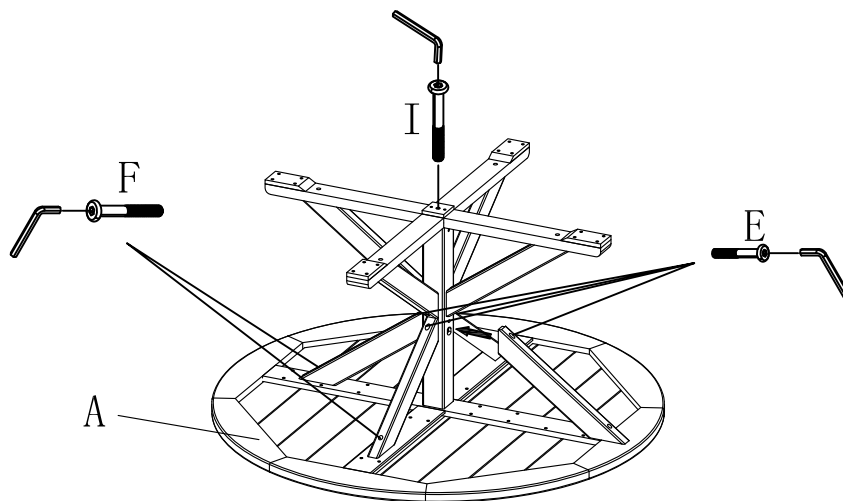
# Assembly Instruction 48" ROUND DINING TABLE

| A   | B   | C   | D   | E   | F   | G   | H   |
|---|---|---|---|---|---|---|---|
|  |  |  |  |  |  |  |  |
| 1X  | 1X  | 8X  | 1X  | (M8*30)<br>8X   | (M8*40)<br>8X   | 1X  | (M8*80)<br>1X   |

1



2



3

