

TABLE OF CONTENTS

01	Important Safety Instructions	01	Tools Needed
02	Parts List	05	Assembly
33	Warranty Information		

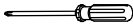
Thank you so much for choosing our product. If you encounter any questions during use, feel free to contact us. We will try our best to solve it.

IMPORTANT SAFETY INSTRUCTIONS

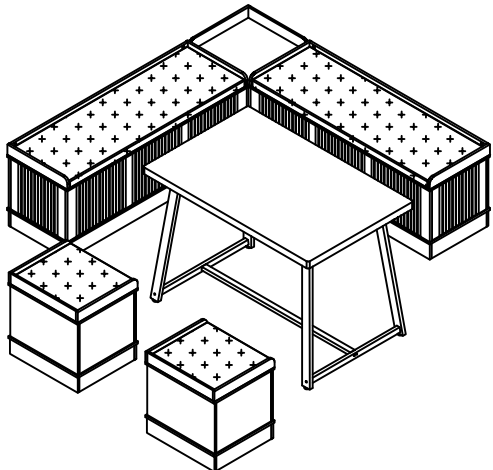
- Check if all the parts are complete before installation.
- Read through the instructions before installing the cabinet.
- Keep the small parts away from children to avoid the risk of swallowing.

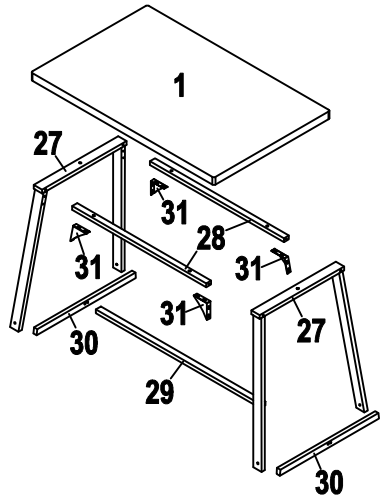
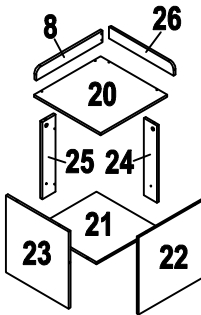
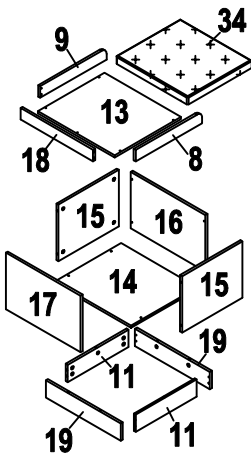
TOOLS NEEDED

Screws Driver -1PC

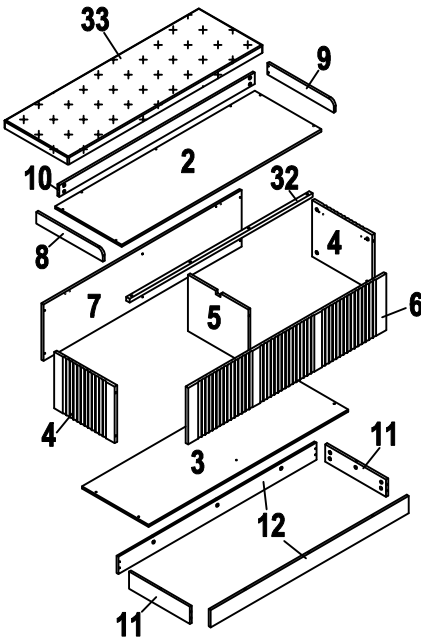
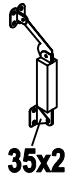


(Not included)

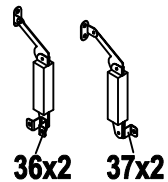




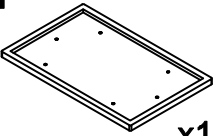
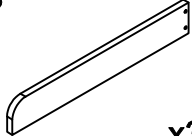
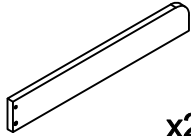
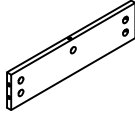
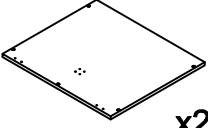
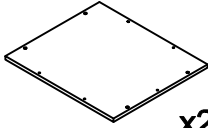
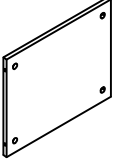
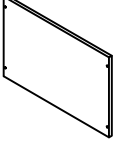
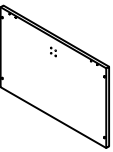
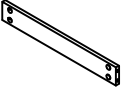
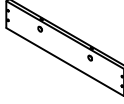
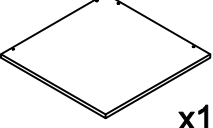
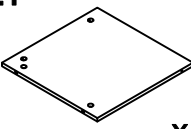
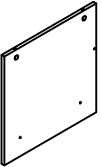
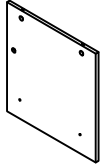


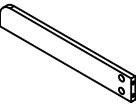

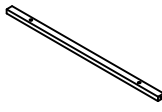

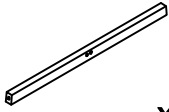
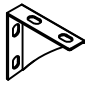
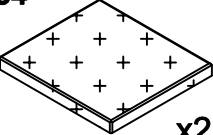

X2

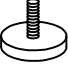
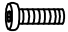
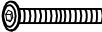

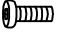

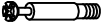


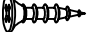





X2



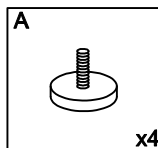
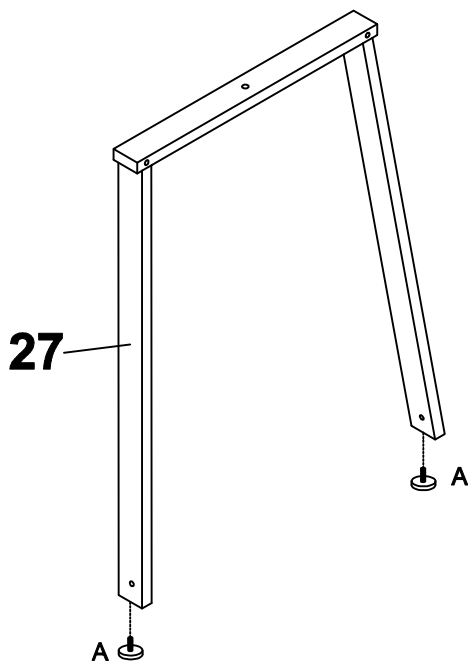
Packing List

1  x1	8  x3	9  x2	11  x4
13  x2	14  x2	15  x4	16  x2
17  x2	18  x2	19  x4	20  x1
21  x1	22  x1	23  x1	24  x1
25  x1	26  x1	27  x2	28  x2
29  x1	30  x2	31  x4	34  x2
35  x2			

A  x4	B M6x45  x8	C M6x70  x4	D M6x10  x16	E M8x30  x6
F  x14	G  x65	H  x65	I M5x40  x26	J M3.5x12  x32
K  x4	M  M4 x1	N  M5 x1		

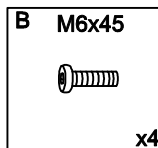
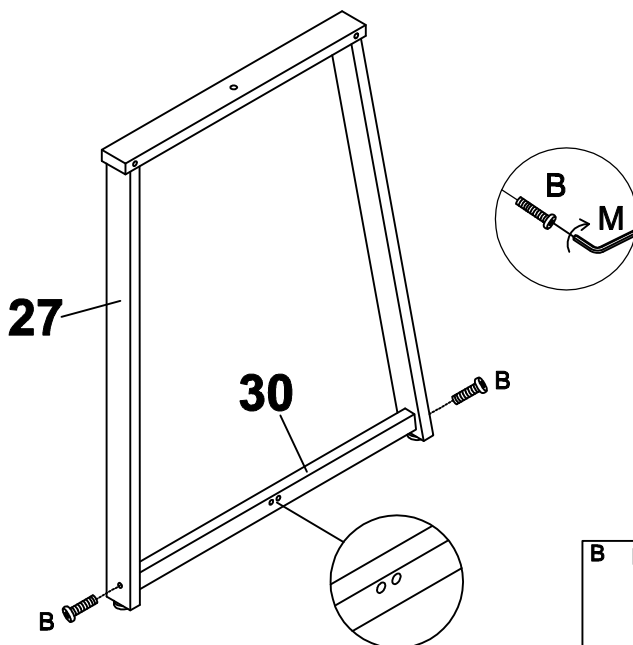
Step 1

X2

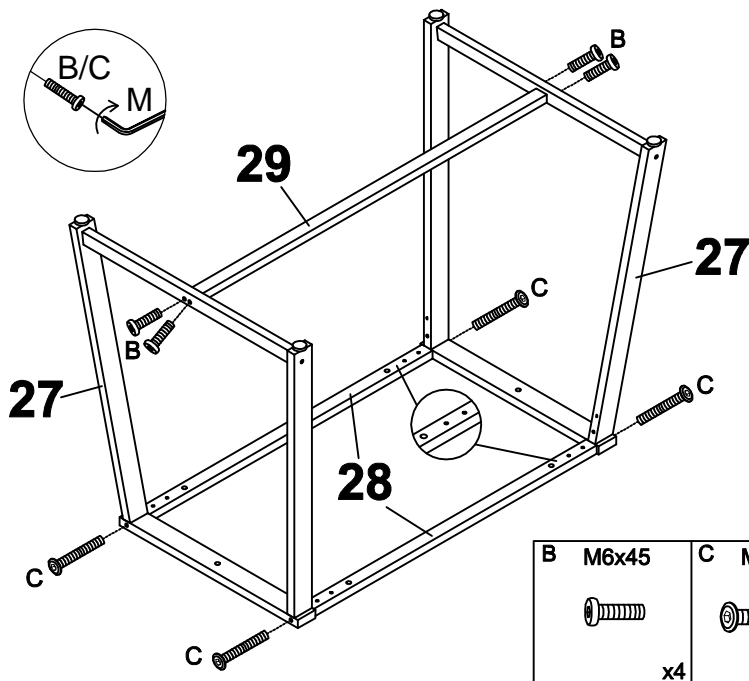


Step 2

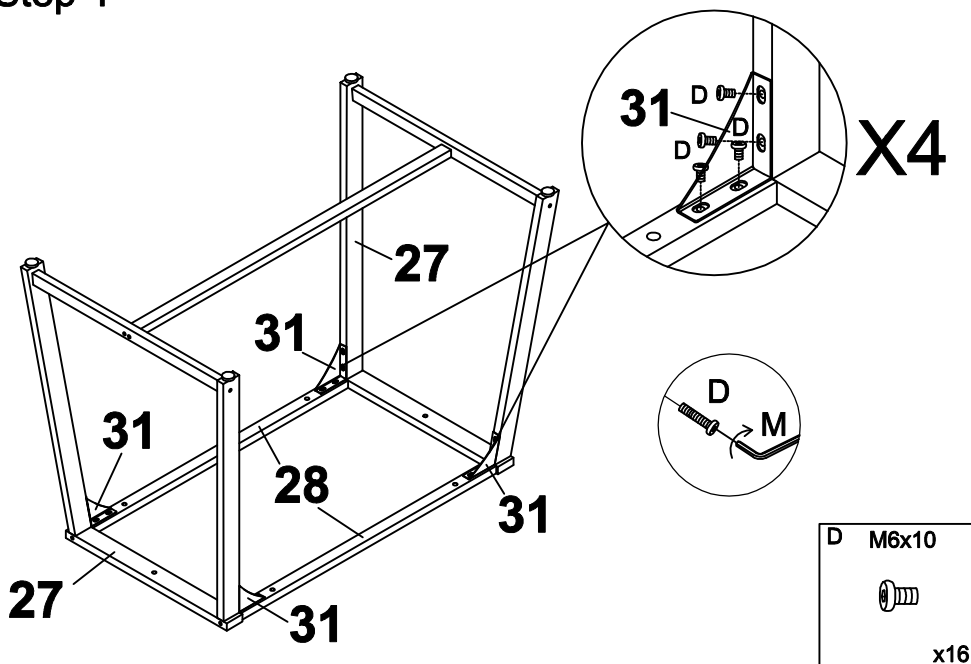
X2



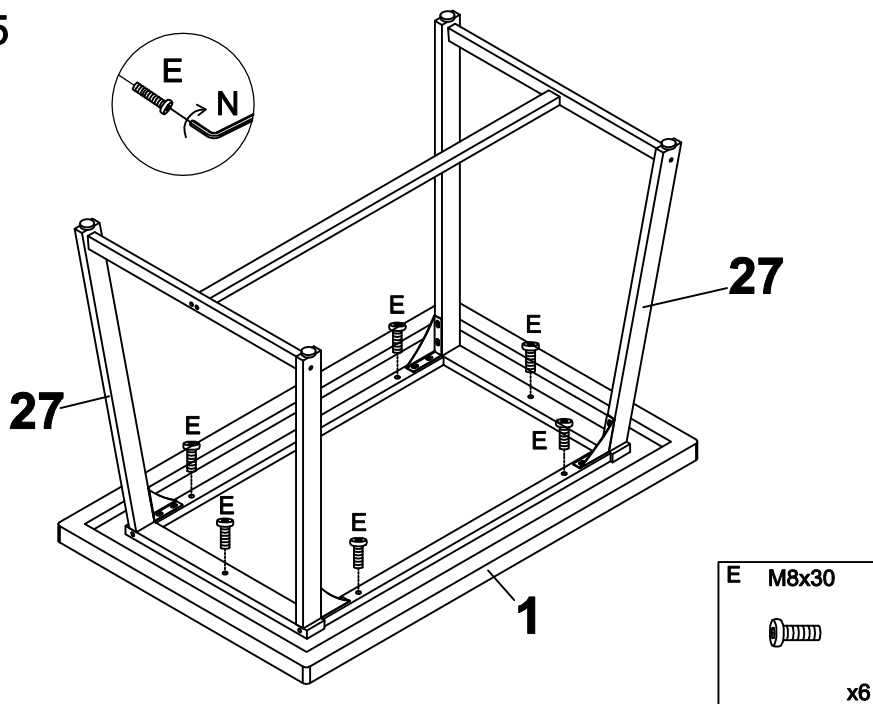
Step 3



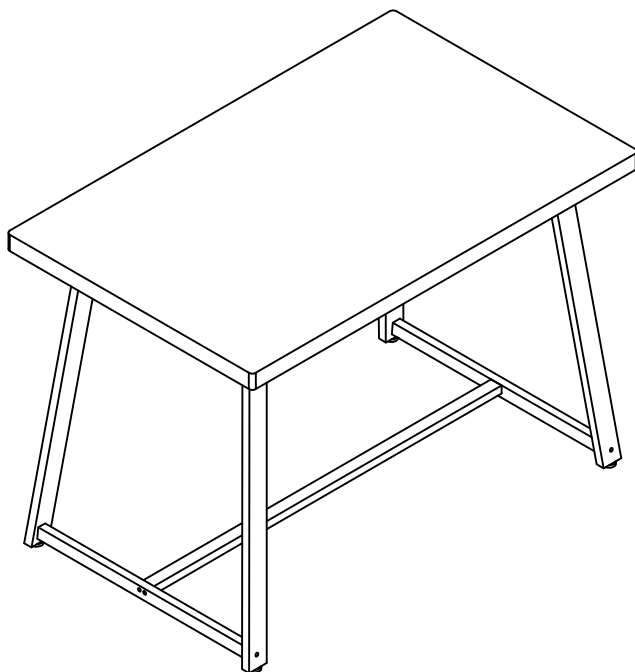
Step 4



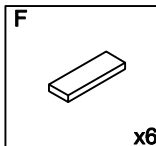
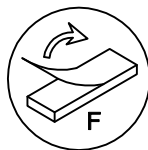
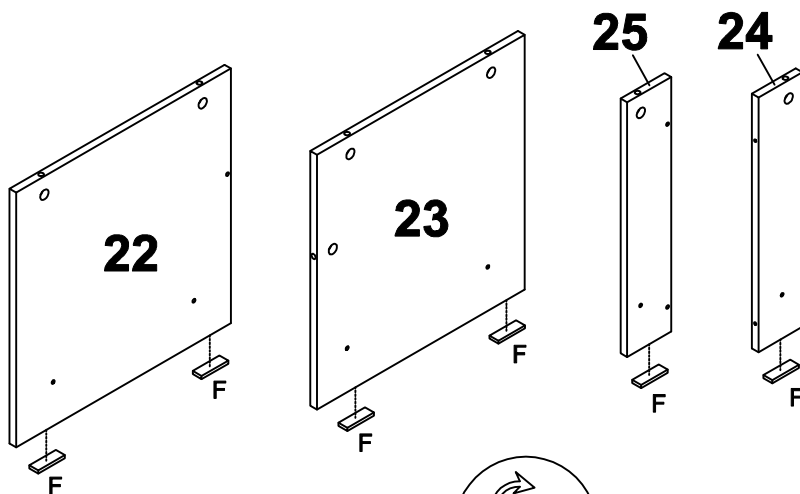
Step 5



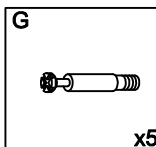
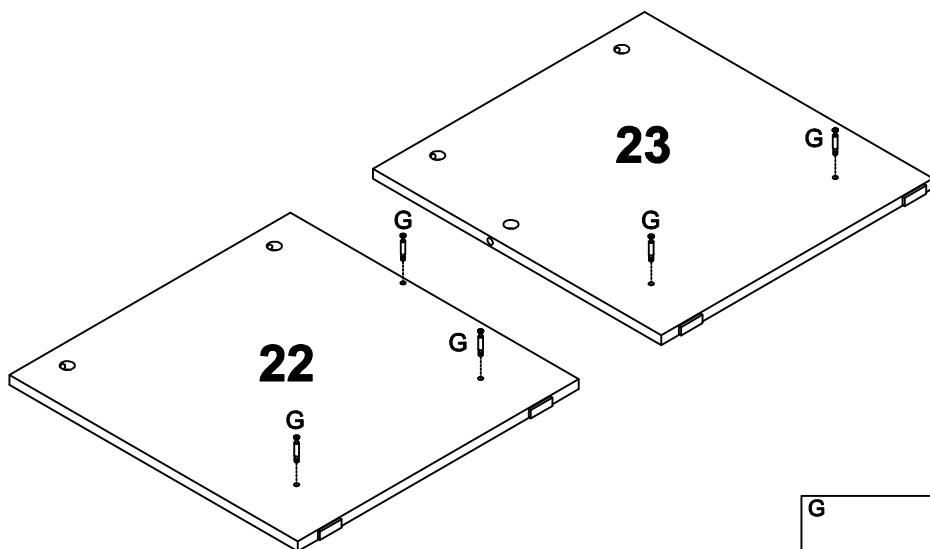
Step 6



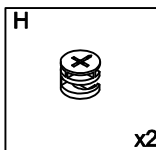
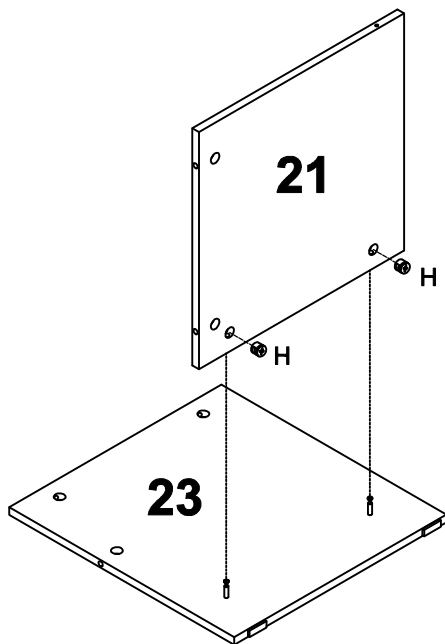
Step 7



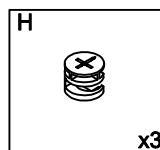
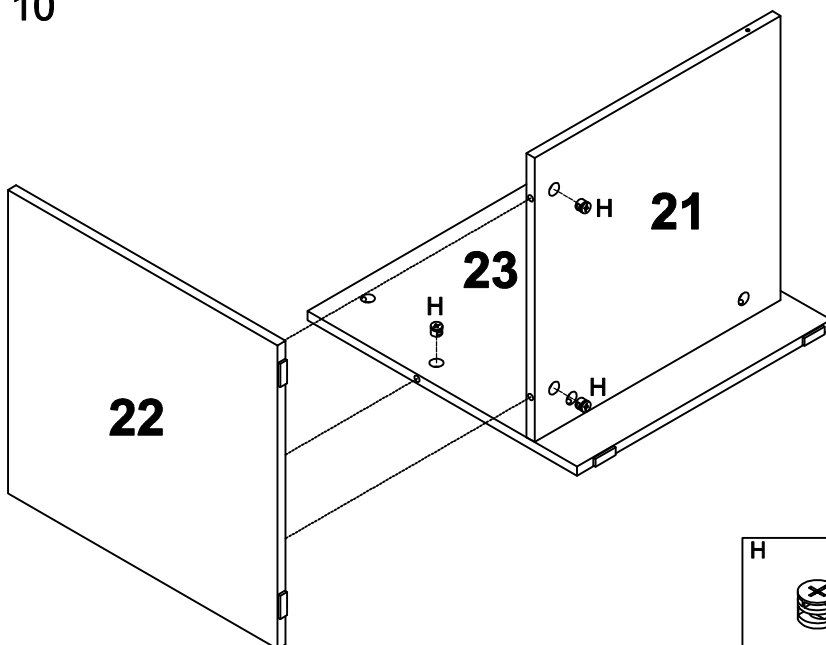
Step 8



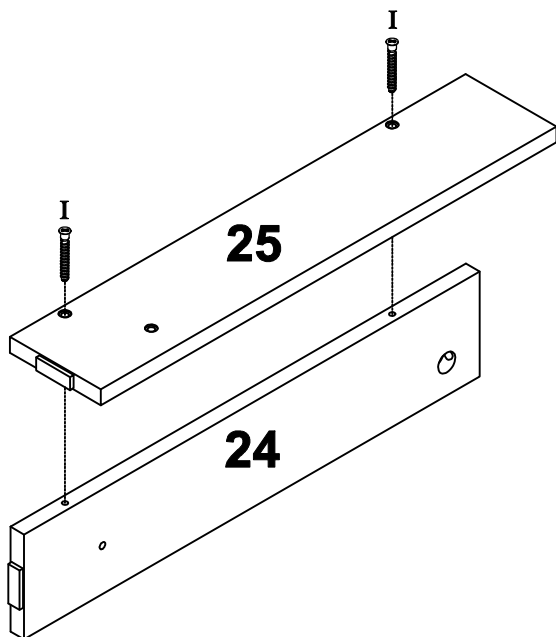
Step 9



Step 10



Step 11

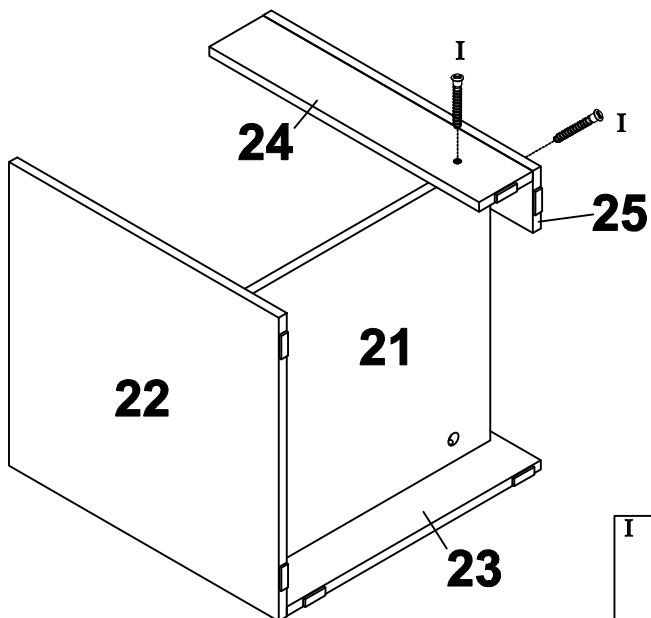


I M5x40



x2

Step 12

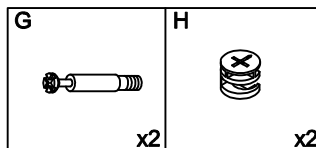
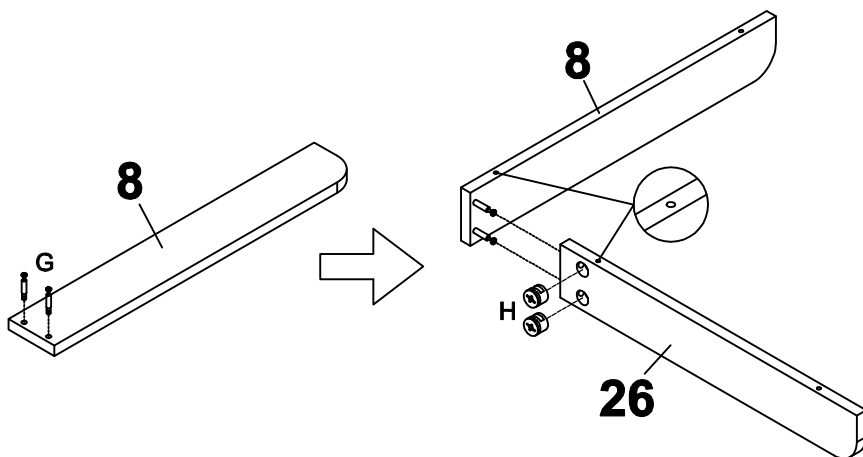


I M5x40

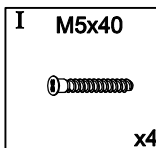
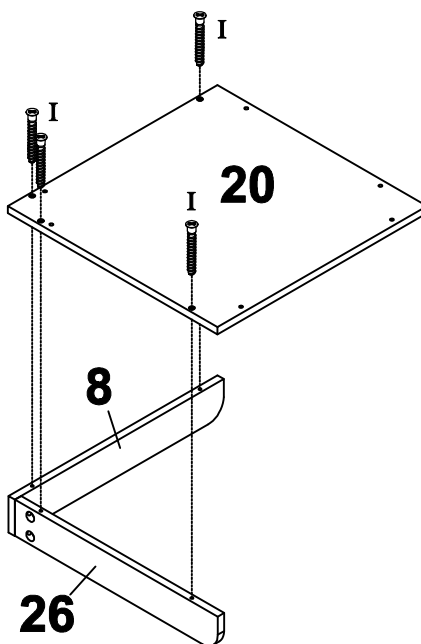


x2

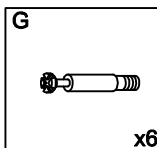
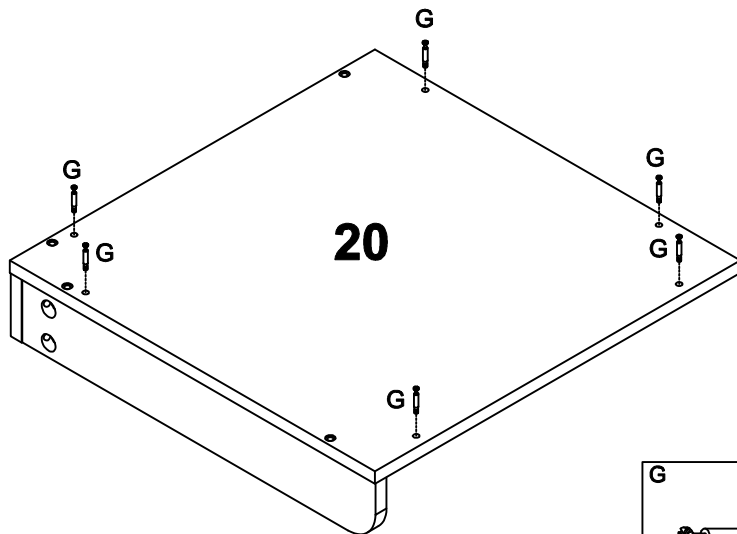
Step 13



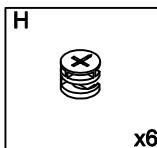
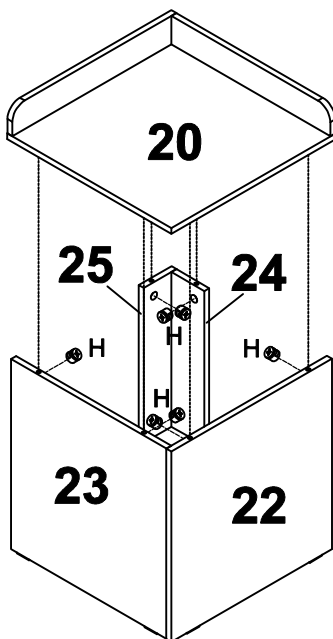
Step 14



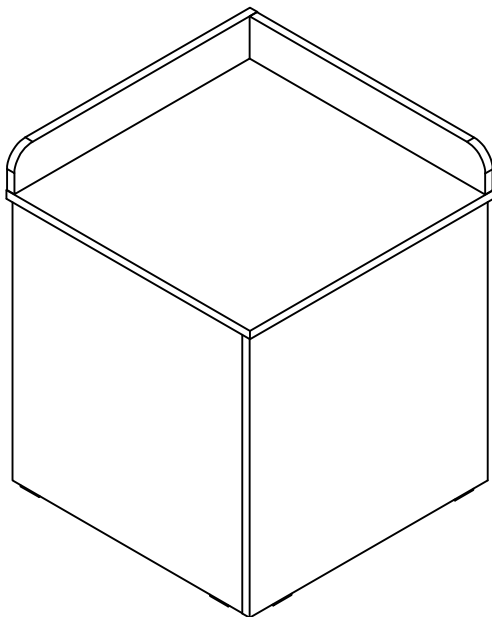
Step 15



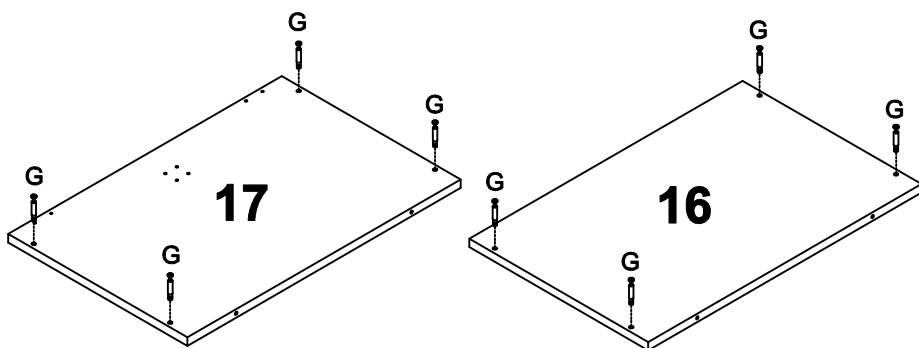
Step 16



Step 17

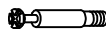


Step 18



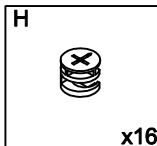
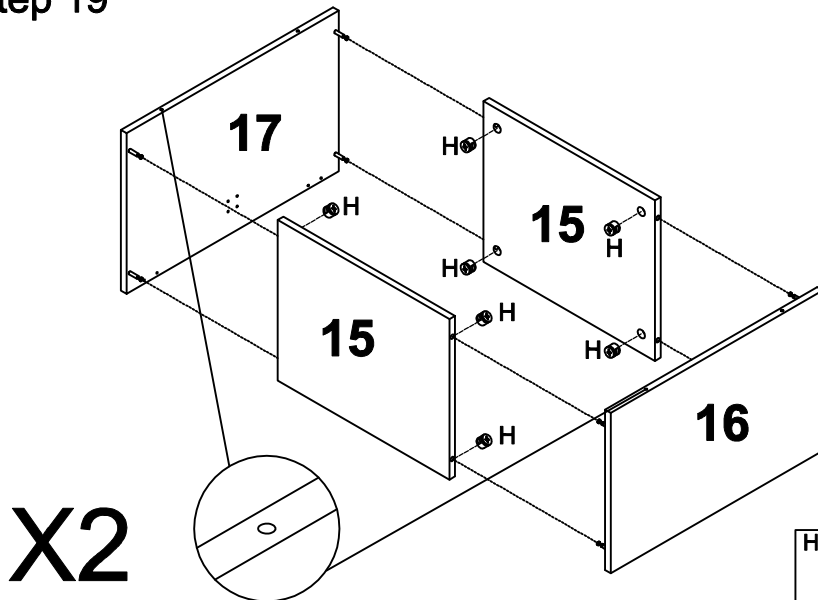
X2

G

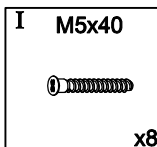
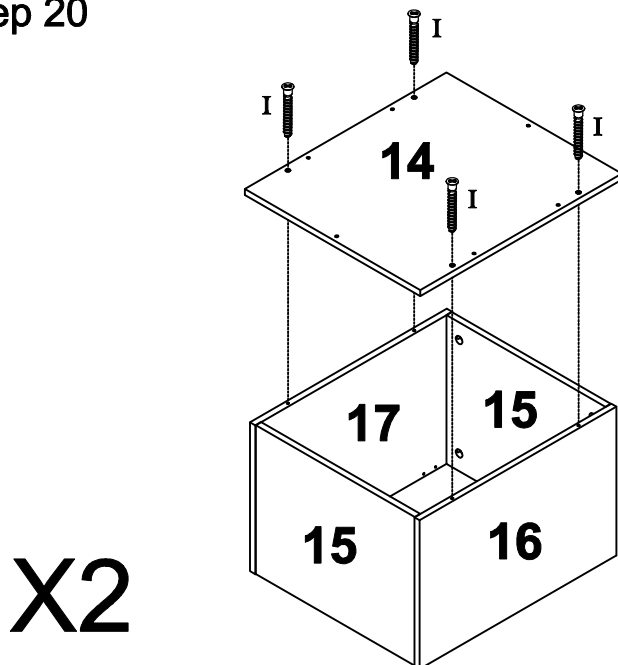


x16

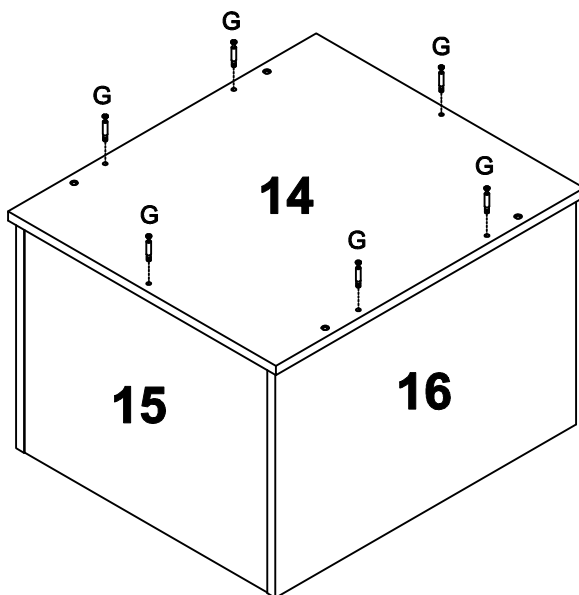
Step 19



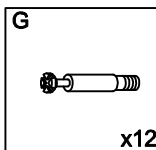
Step 20



Step 21

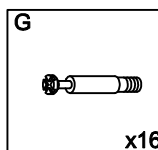
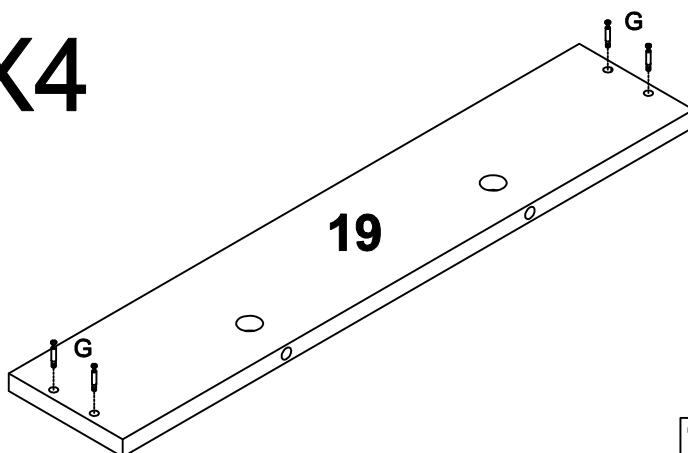


X2

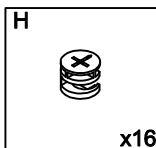
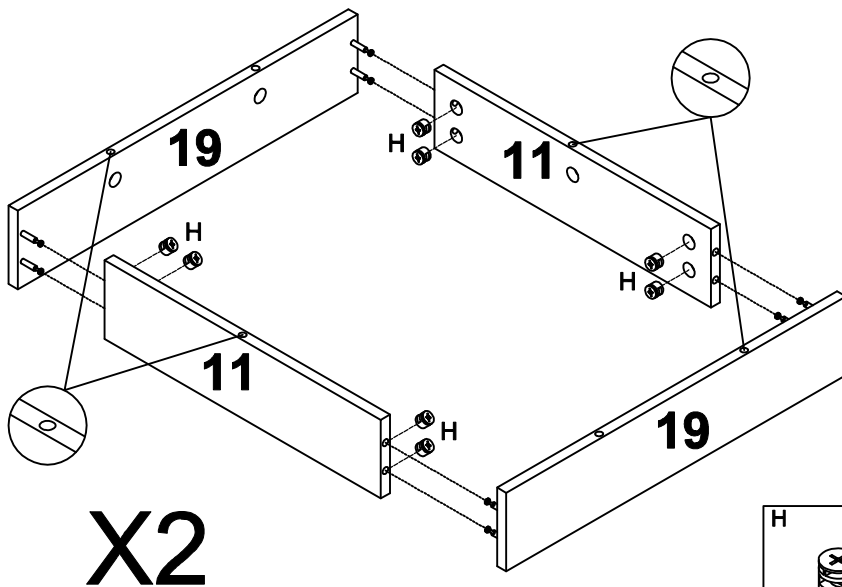


Step 22

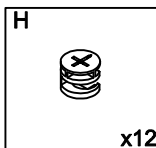
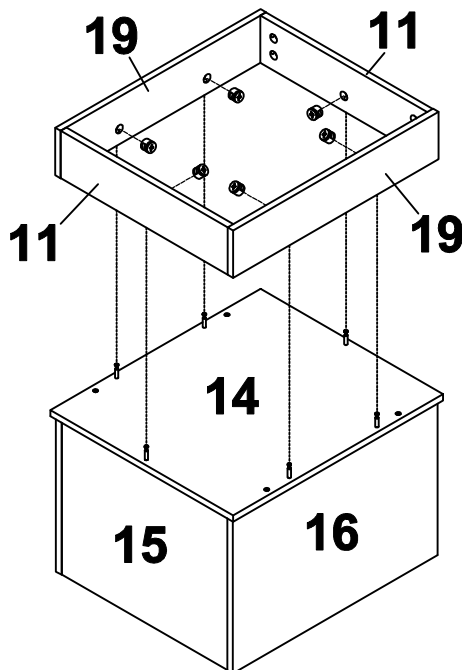
X4



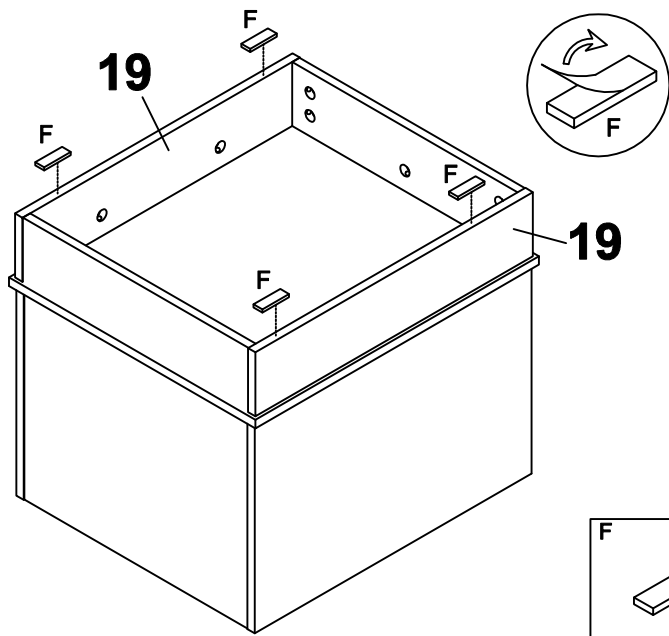
Step 23



Step 24



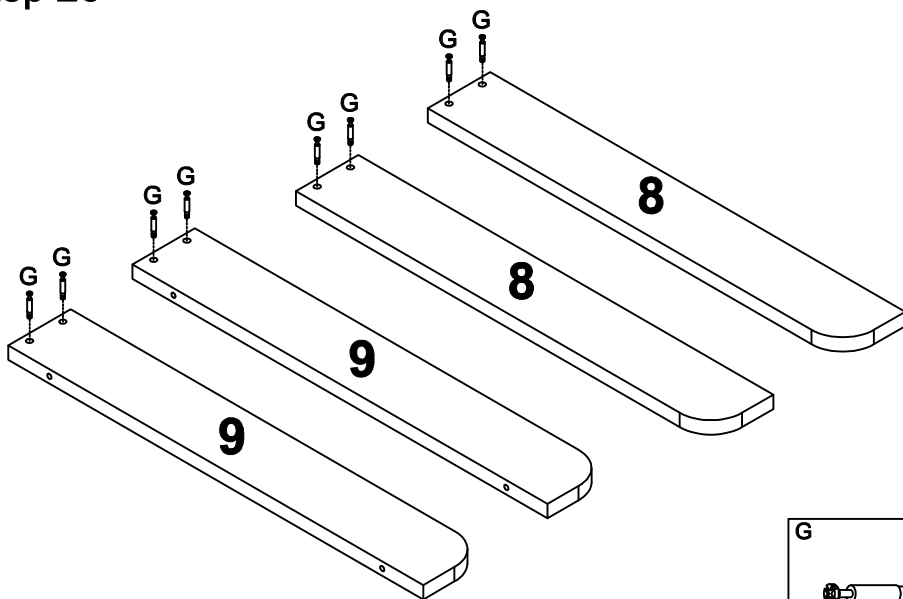
Step 25



X2

x8

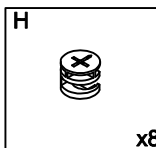
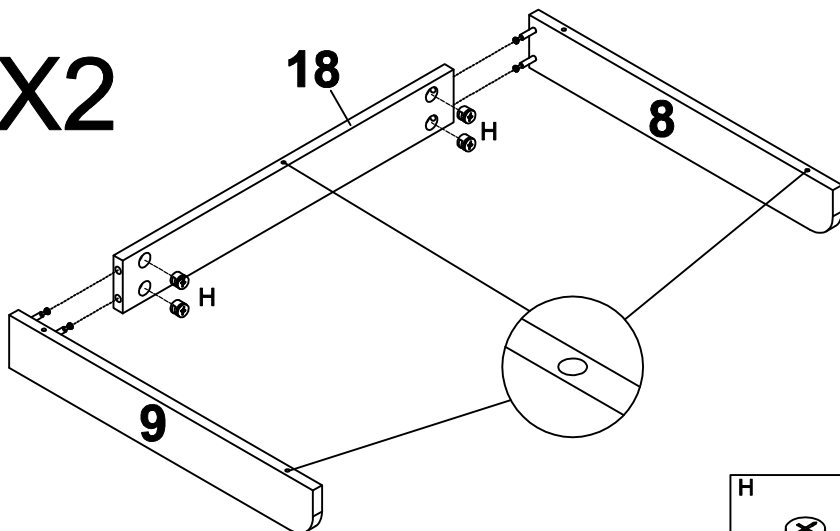
Step 26



x8

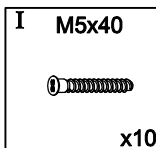
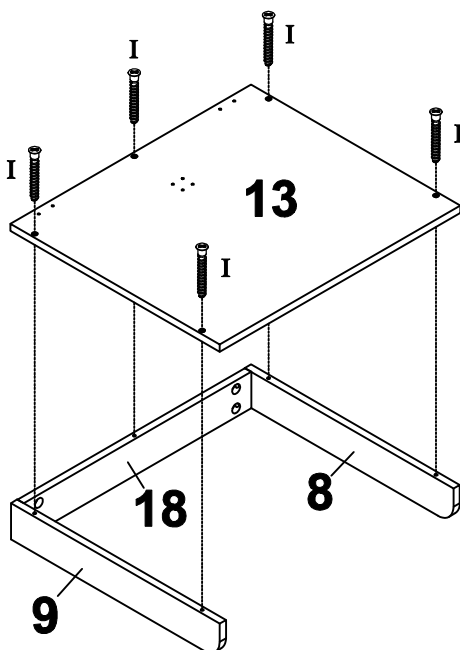
Step 27

X2

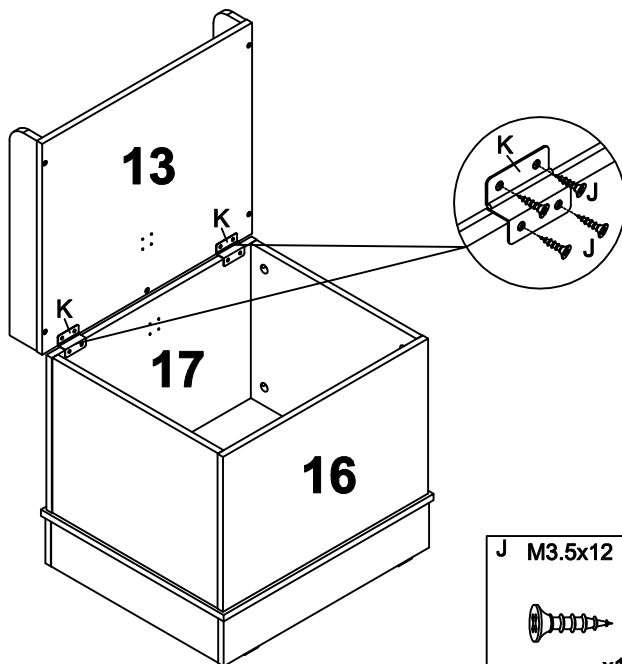


Step 28

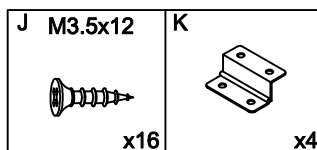
X2



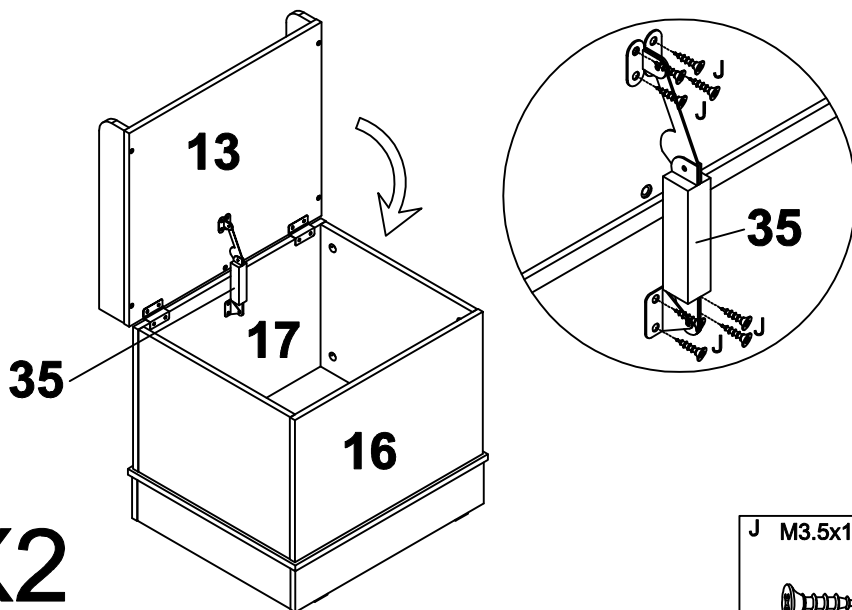
Step 29



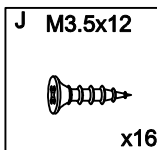
X2



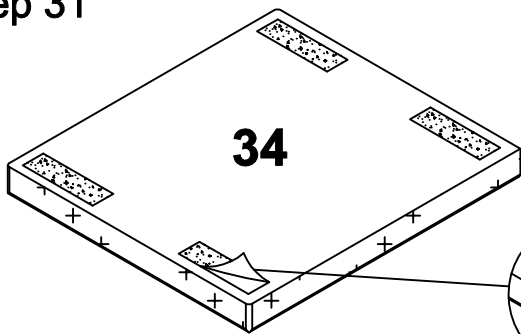
Step 30



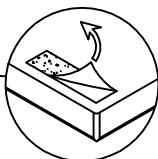
X2



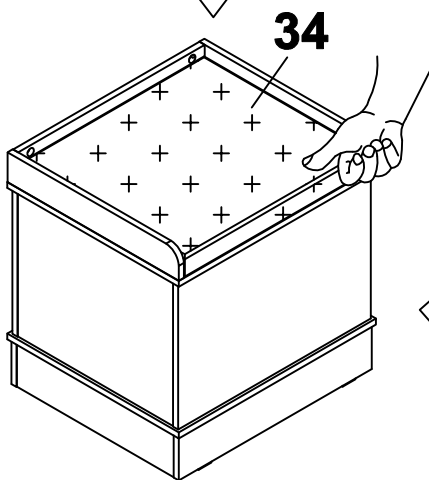
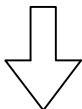
Step 31



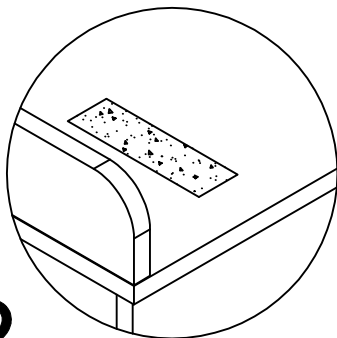
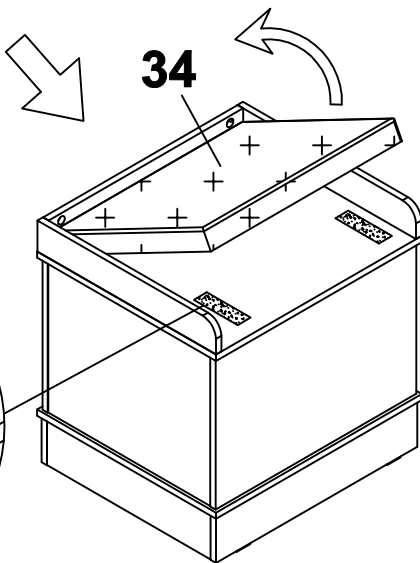
Tear off the backing paper.



X4

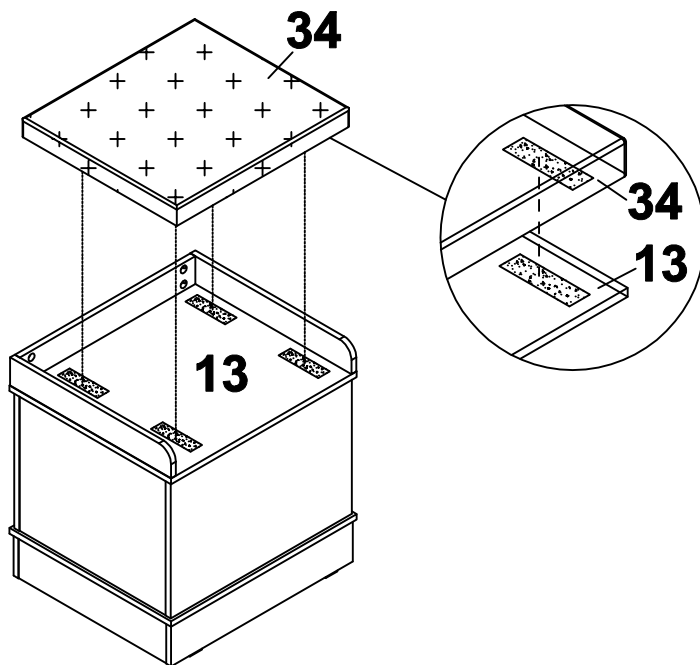


Please press four corners by hand to make sure the back glue of velcro stick to the board 13.



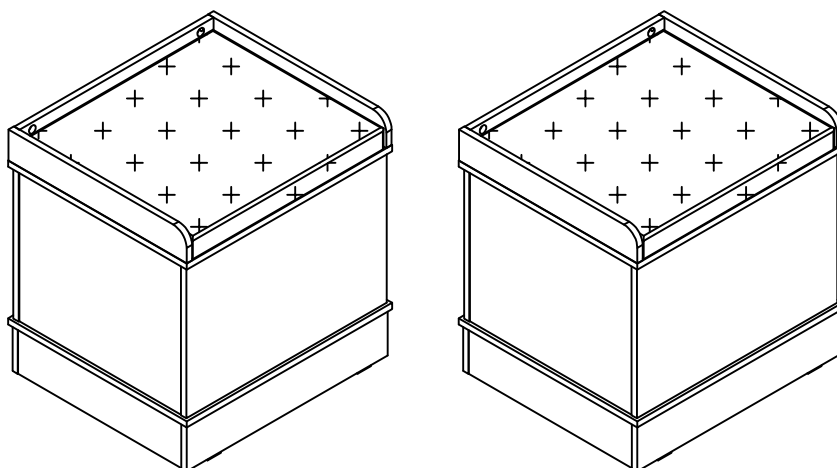
X2

Step 32

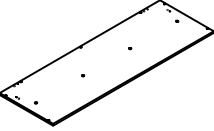
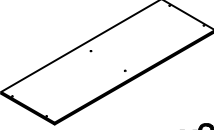
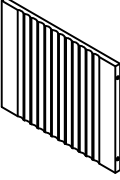
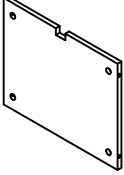
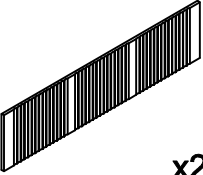
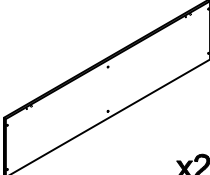
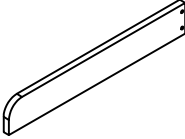
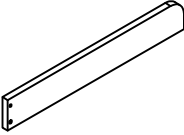
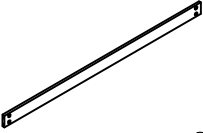
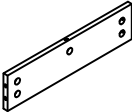
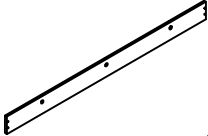
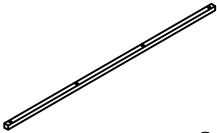
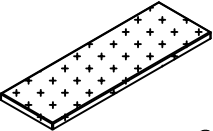

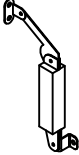

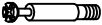


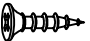
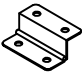




X2

Step 33

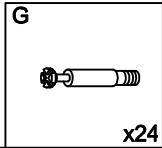
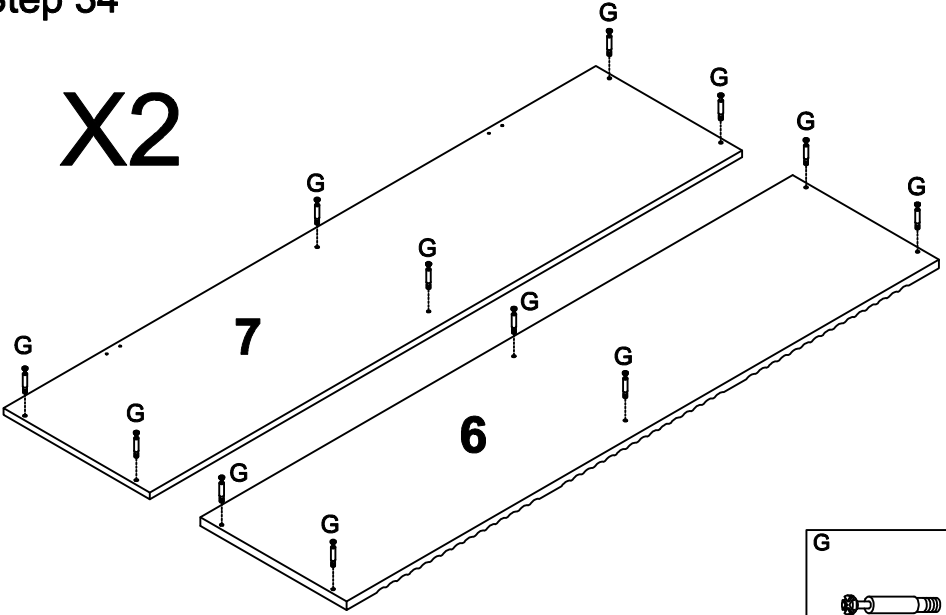


Packing List

<p>2</p>  <p>x2</p>	<p>3</p>  <p>x2</p>	<p>4</p>  <p>x4</p>	<p>5</p>  <p>x2</p>	
<p>6</p>  <p>x2</p>	<p>7</p>  <p>x2</p>	<p>8</p>  <p>x2</p>	<p>9</p>  <p>x2</p>	
<p>10</p>  <p>x2</p>	<p>11</p>  <p>x4</p>	<p>12</p>  <p>x4</p>	<p>32</p>  <p>x2</p>	
<p>33</p>  <p>x2</p>	<p>36</p>  <p>x2</p>	<p>37</p>  <p>x2</p>		
<p>F</p>  <p>x12</p>	<p>G</p>  <p>x64</p>	<p>H</p>  <p>x64</p>	<p>I M5x40</p>  <p>x26</p>	<p>J M3.5x12</p>  <p>x32</p>
<p>K</p>  <p>x4</p>	<p>L M6x28</p>  <p>x8</p>	<p>M M4</p>  <p>x1</p>		

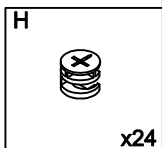
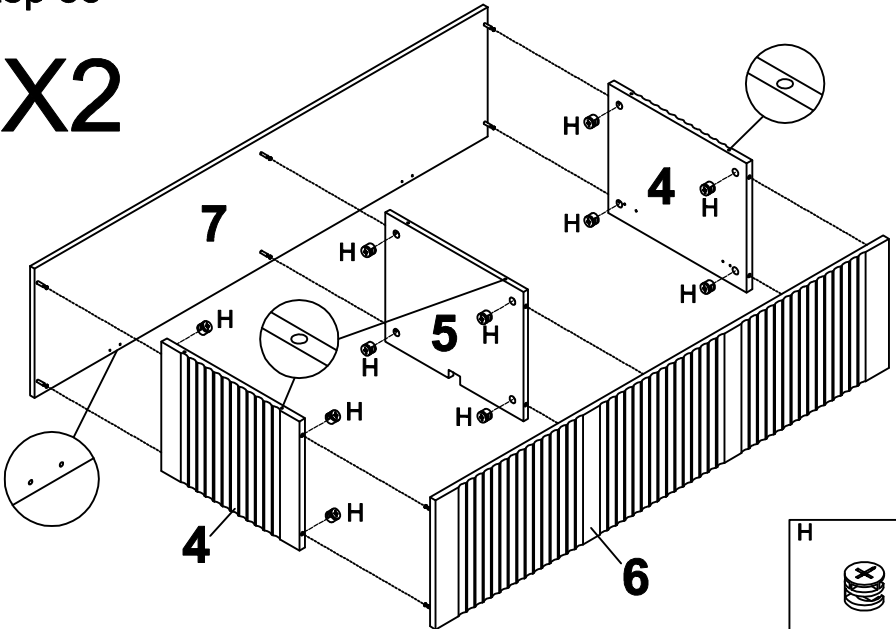
Step 34

X2



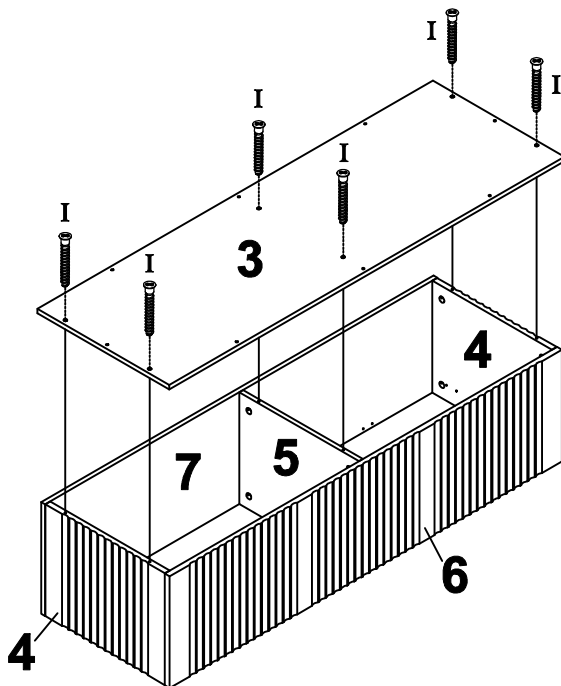
Step 35

X2



Step 36

X2



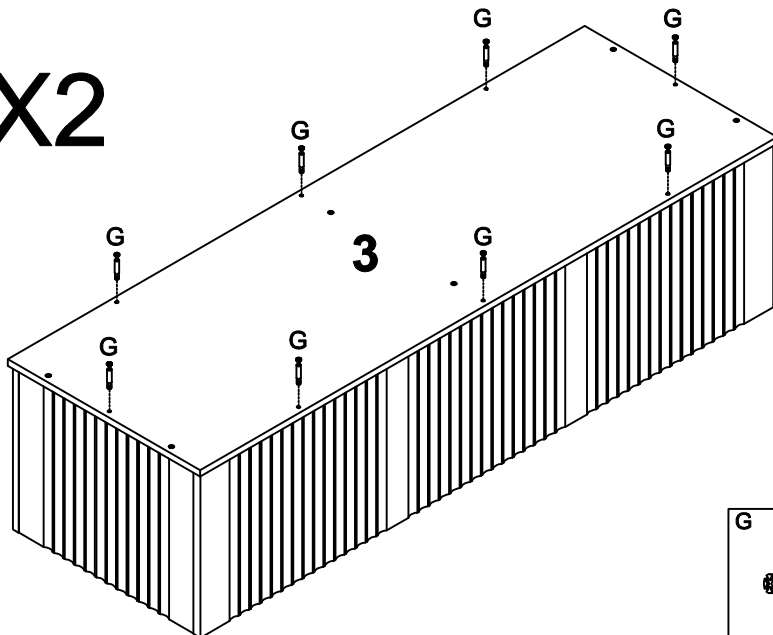
I M5x40



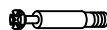
x12

Step 37

X2

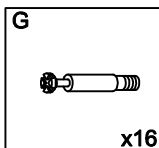
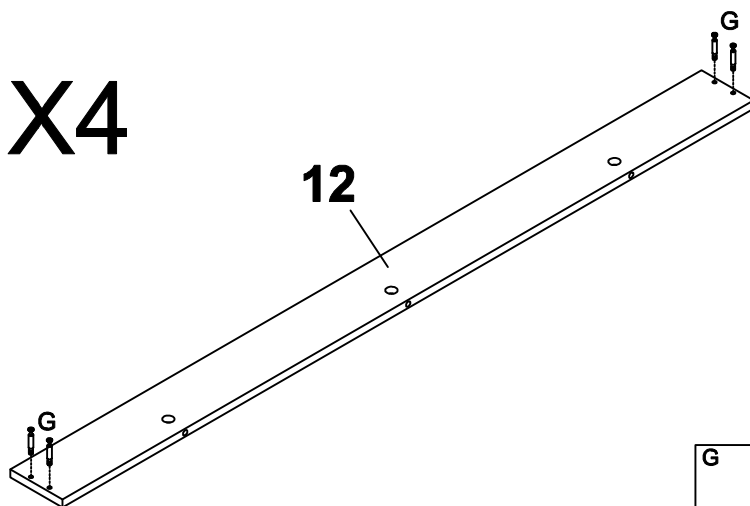


G

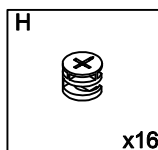
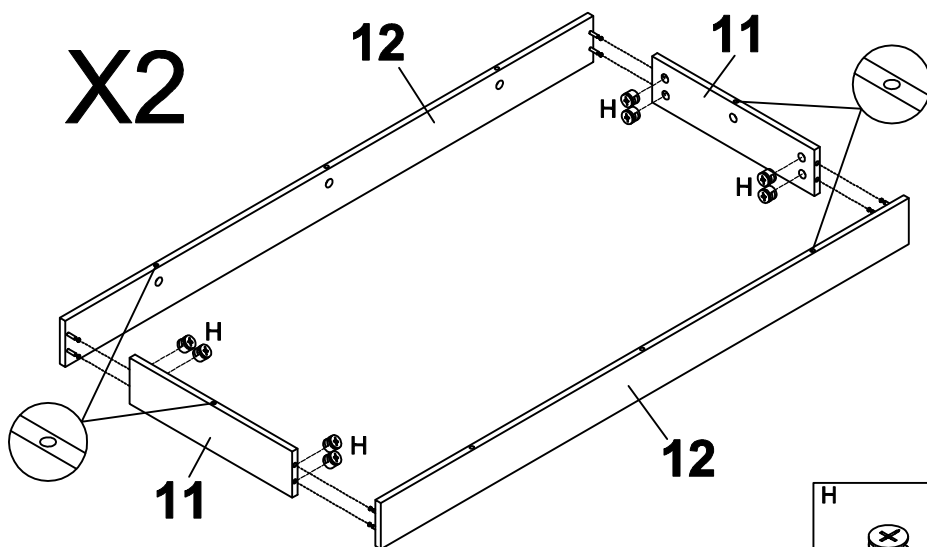


x16

Step 38

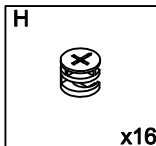
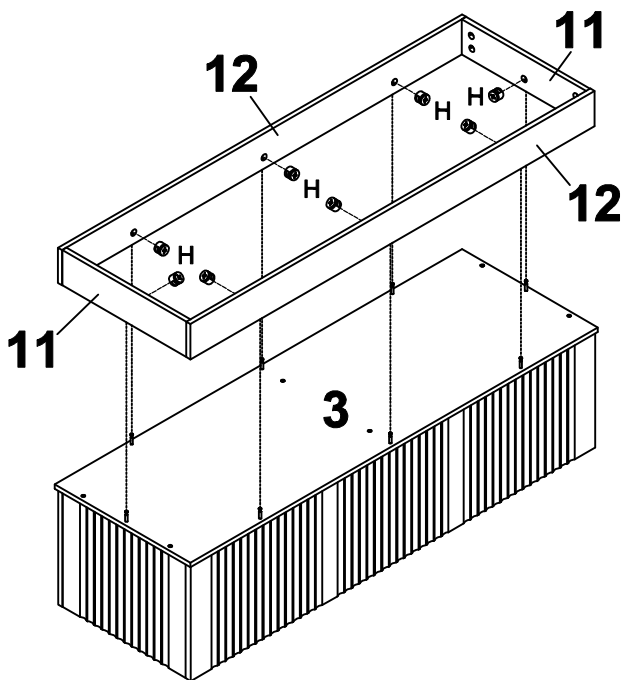


Step 39



Step 40

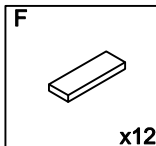
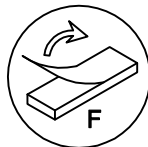
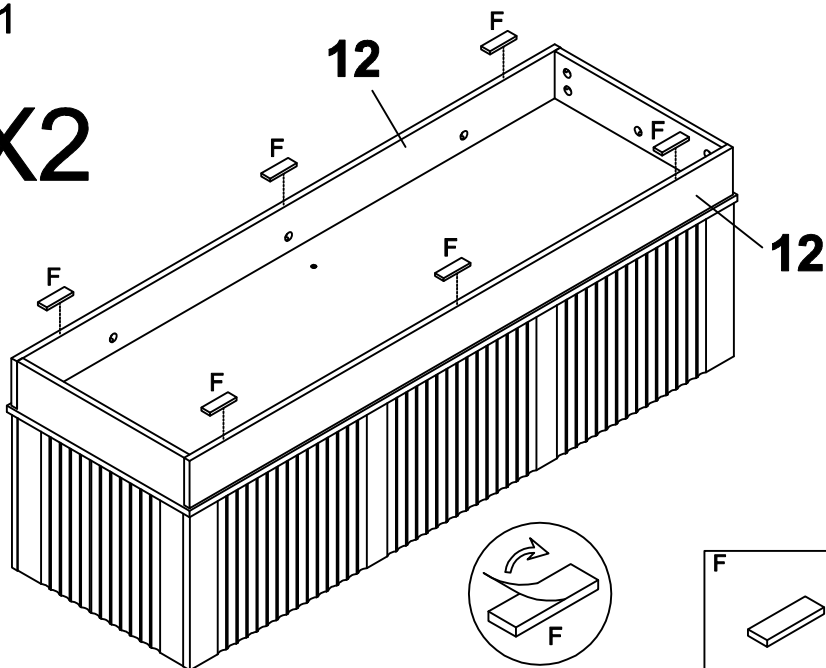
X2



x16

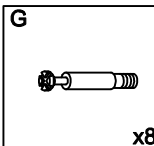
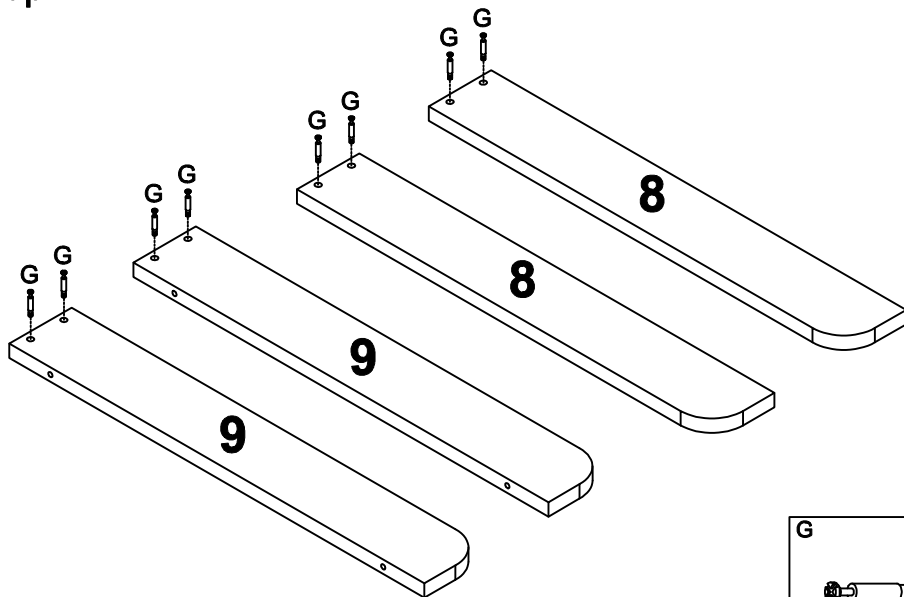
Step 41

X2

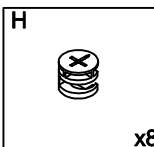
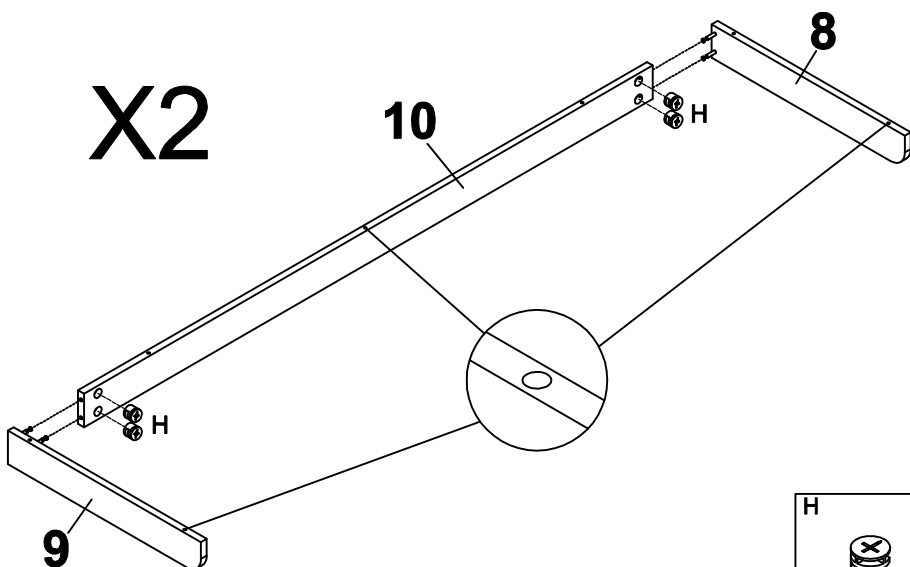


x12

Step 42

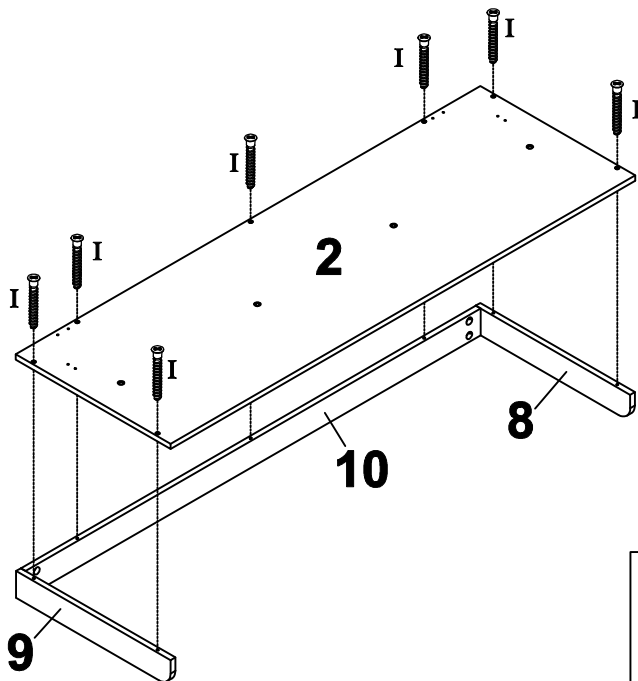


Step 43



Step 44

X2



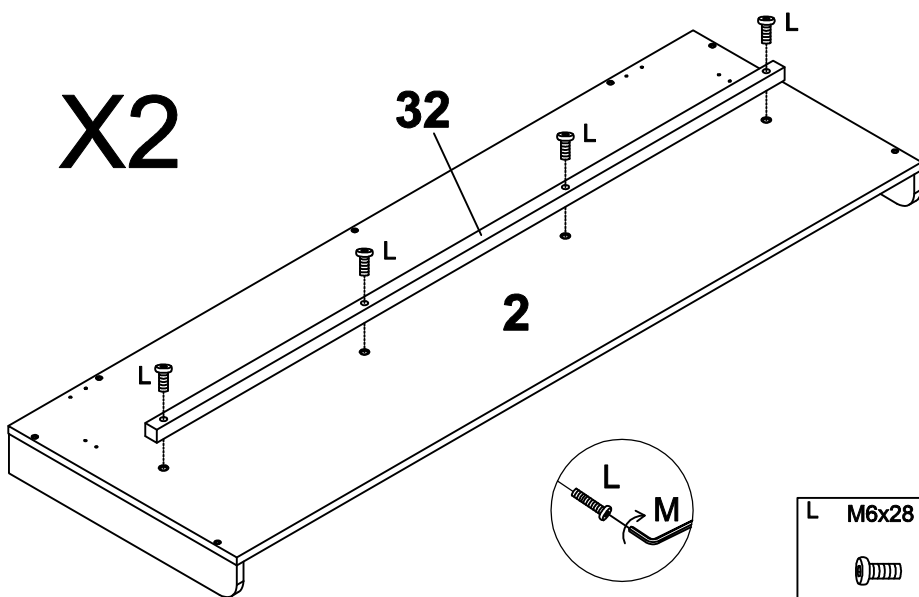
I M5x40



x14

Step 45

X2



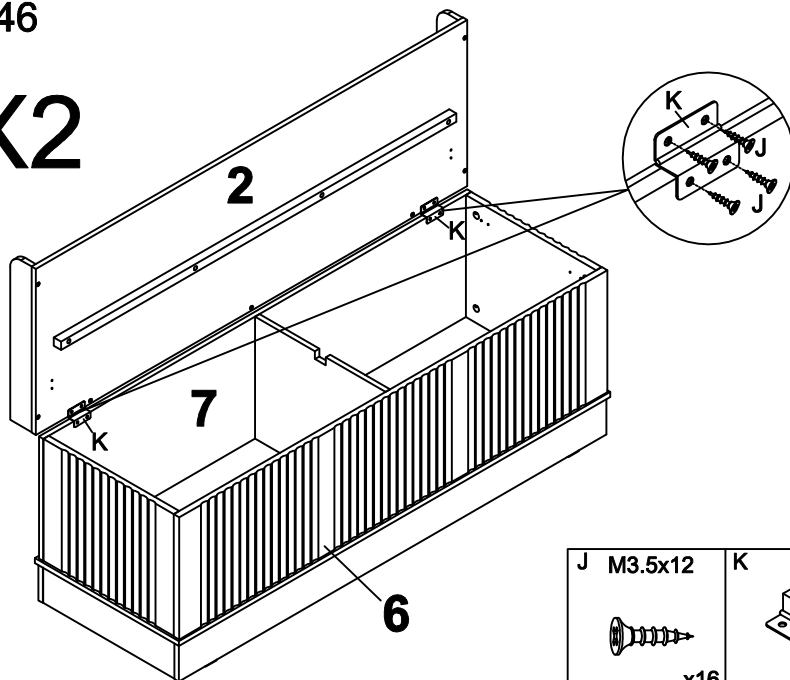
L M6x28

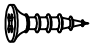
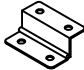


x8

Step 46

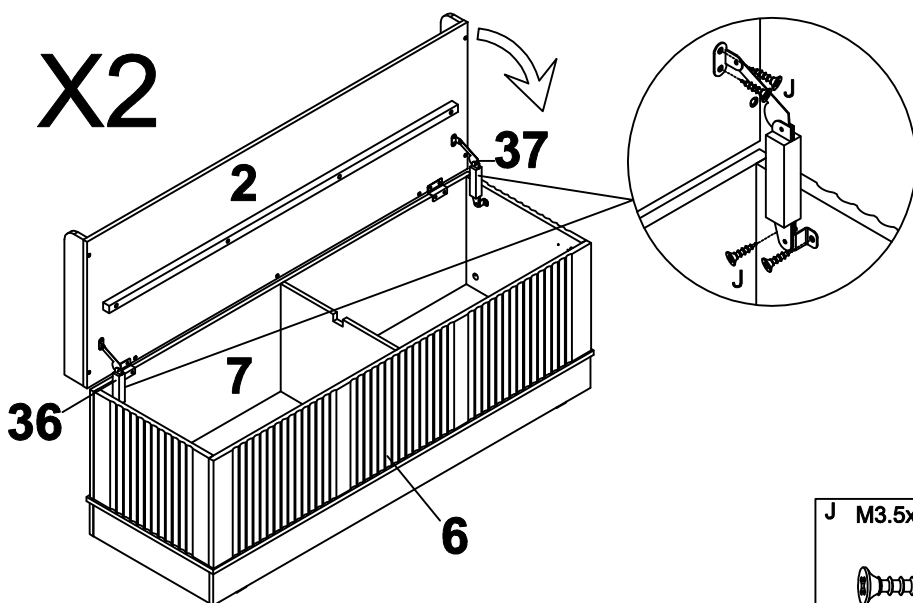
X2




J M3.5x12	K
	
x16	x4

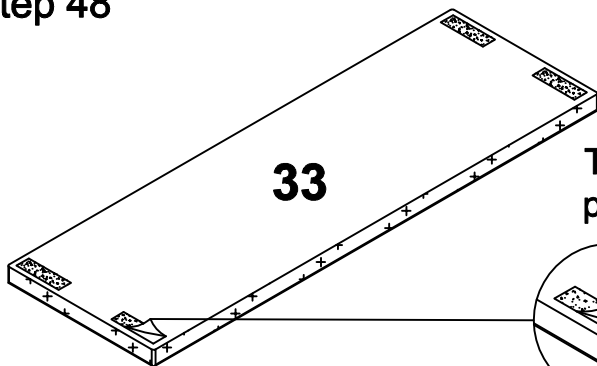
Step 47

X2

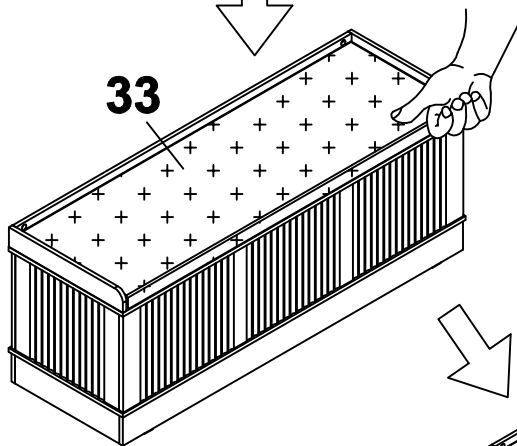
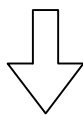
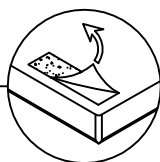


J M3.5x12

x16

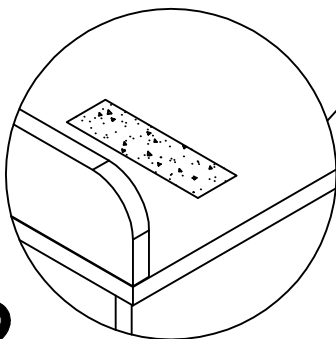
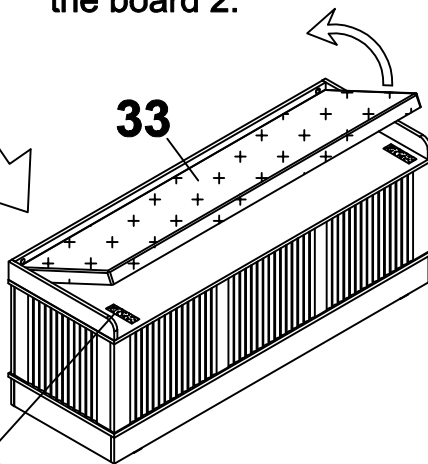
Step 48



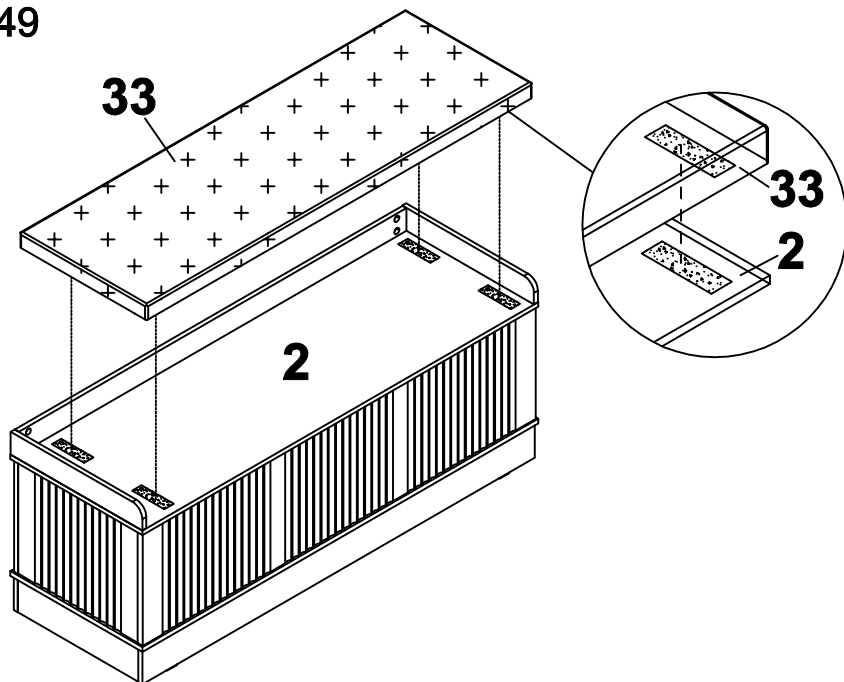
Tear off the backing paper.



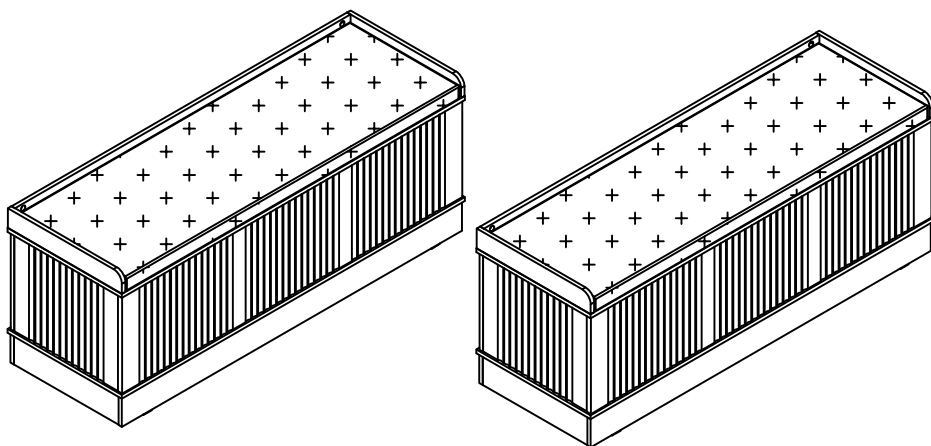
Please press four corners by hand to make sure the back glue of velcro stick to the board 2.



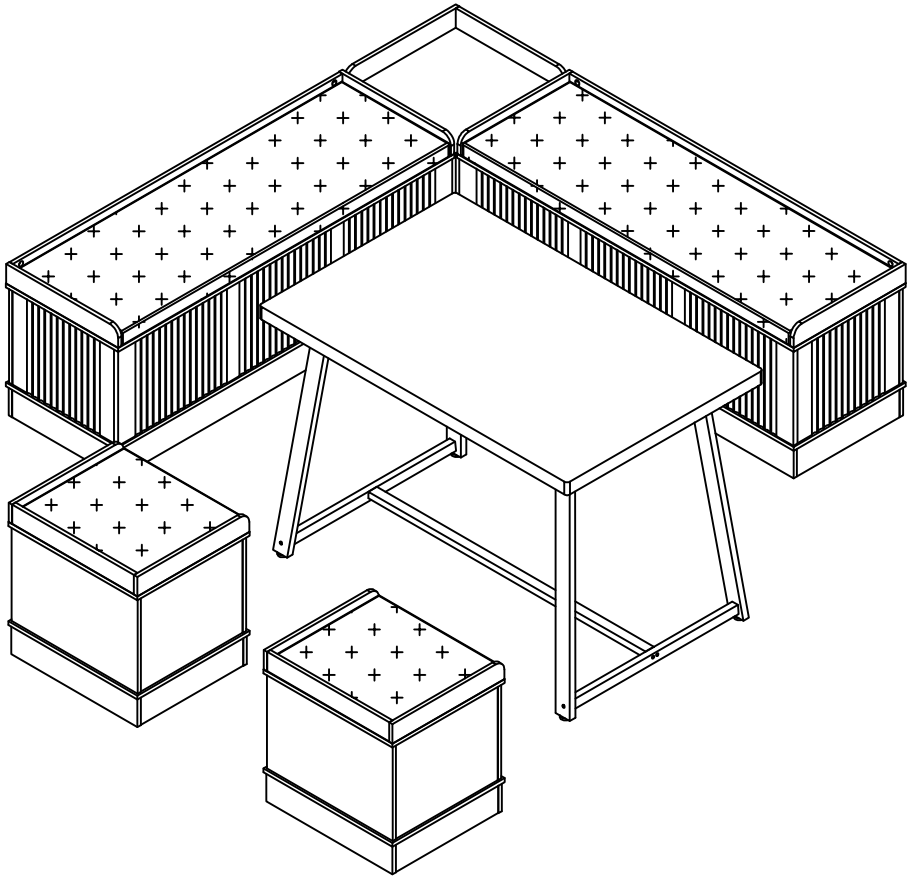
Step 49



Step 50



Finish !!!



WARRANTY INFORMATION

- Do not expose the surfaces to direct sunlight or to extreme environmental conditions.
- Clean the surfaces preferable with a clean damp cloth, then dry with a clean towel.
- Do not use solvents or abrasive materials to clean the unit. If you decide to use a cleaning agent, test first on an area hidden from view.
- Replacement parts might be available to you at no charge, with an original proof of purchase and where a defect has arisen, wholly or substantially, as a result of faulty manufacturing, parts or workmanship during the Warranty Period.
- The warranty does not extend to regular wear and tear, nor the manufacturer assumes liability for damages or consequences due to accidents, incorrect assembly, negligence, improper use, modifications, or not heeding the above warnings.
- Thank you so much for your support! We hope you enjoy your purchase. If there is any damage or missing accessories, please feel free to contact us for free replacement or refund.

Thank you !