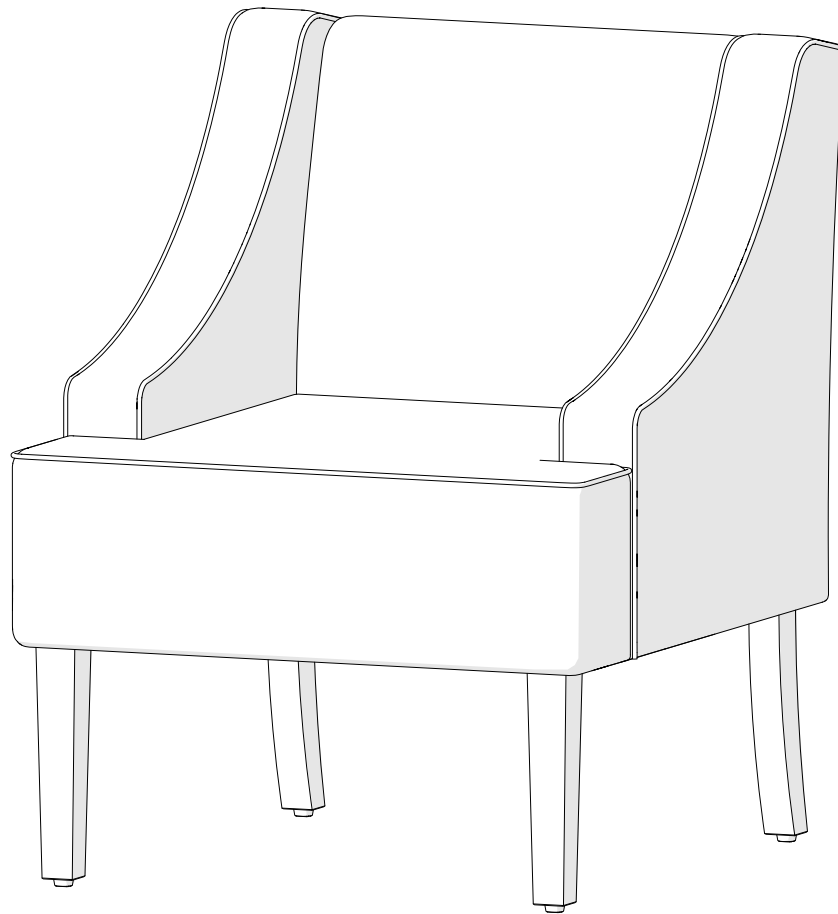


>>assembly instructions



Congratulations on your latest purchase.

Now what? Don't start sweating over this box of parts. This will be easy. We did the hard work for you. All you need to do is follow our simple instructions and you'll be on your way to transforming your room in no time. Good luck --though we're confident you won't need it.

## **before you begin**

1. Check for damaged or missing parts. Customers can email or call us to order missing supplies.
2. Use the carton as a working surface to prevent product damage during assembly.
3. Gather all tools prior to assembly.

# table of contents



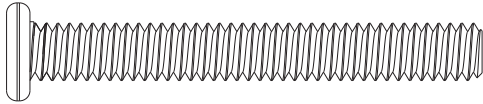
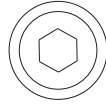
introduction	2
hardware	4
parts list	5
assembly	6 - 8

# hardware

---

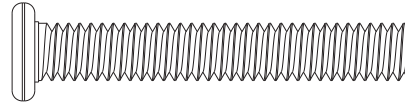
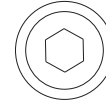
(A) x 4

5/16" x 60mm  
round hex screw



(B) x 4

5/16" x 50mm  
round hex screw



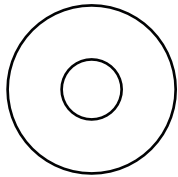
(C) x 8

Φ 8mm lock washer



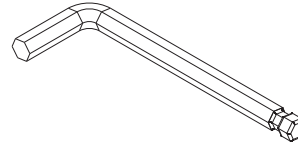
(D) x 8

Φ 22mm flat washer



(E) x 1

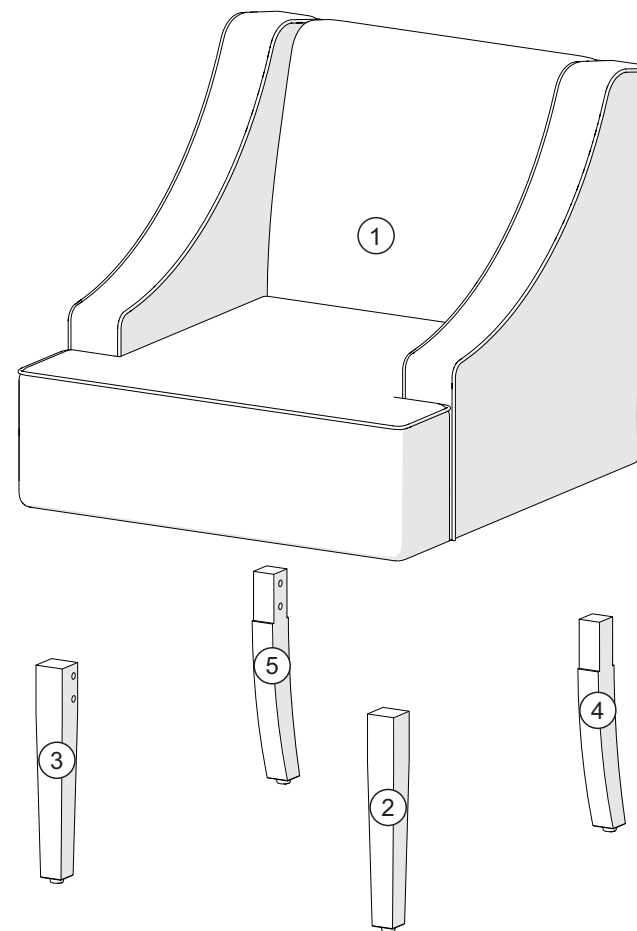
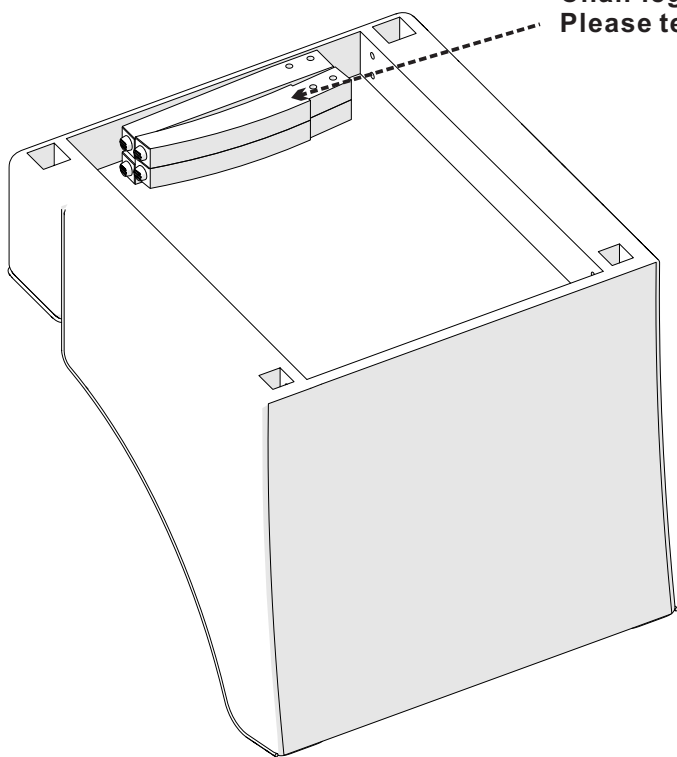
5mm Ball end  
Hex wrench



ITEM	DESCRIPTION	QUANTITY
------	-------------	----------

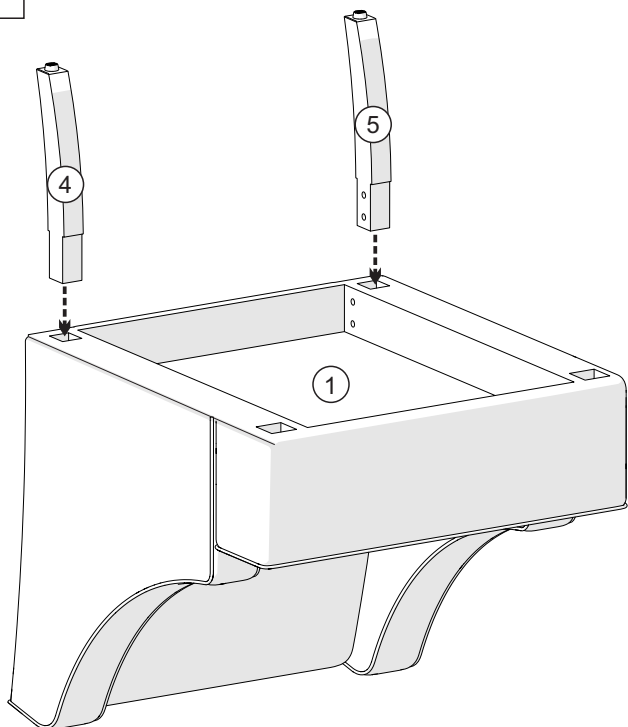
①	chair cushion	1
②	right front leg	1
③	left front leg	1
④	right back leg	1
⑤	left back leg	1

Chair legs and hardware are under the seat.  
Please tear open the Velcro to retrieve the parts.

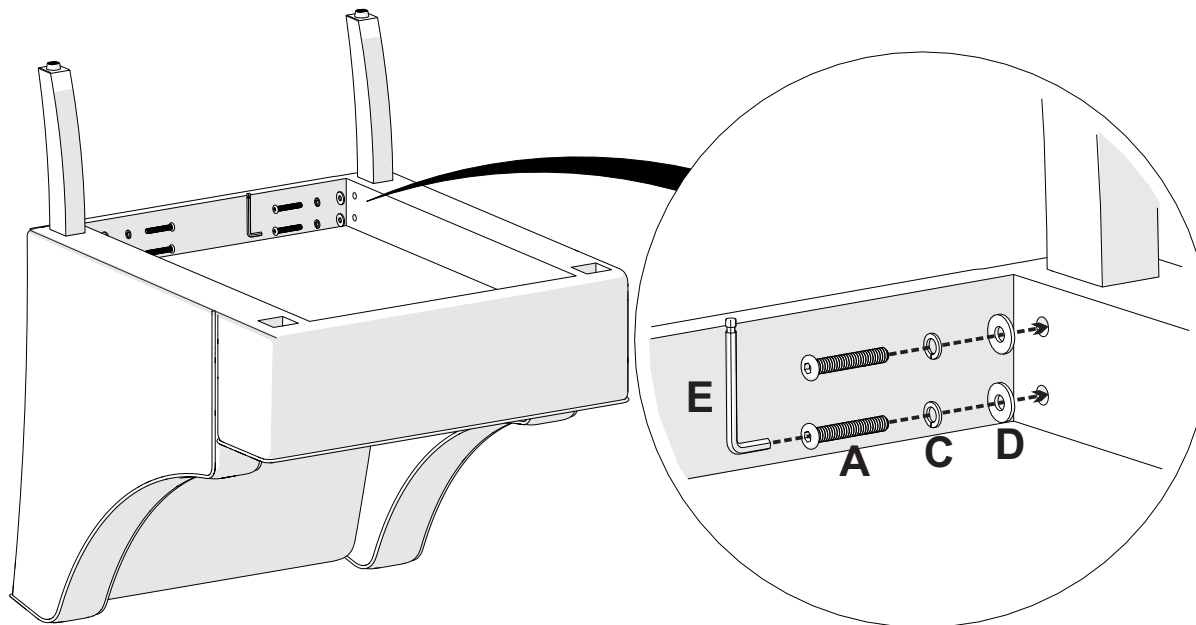


# step 1.

1

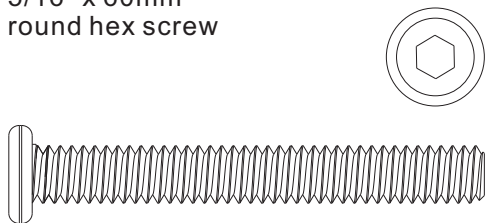


2



(A) x 4

5/16" x 60mm  
round hex screw



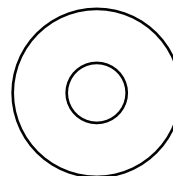
(C) x 4

Φ 8mm lock washer



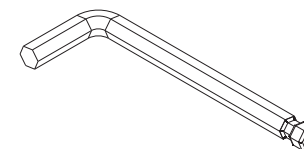
(D) x 4

Φ 22mm flat washer



(E) x 1

5mm Ball end  
Hex wrench

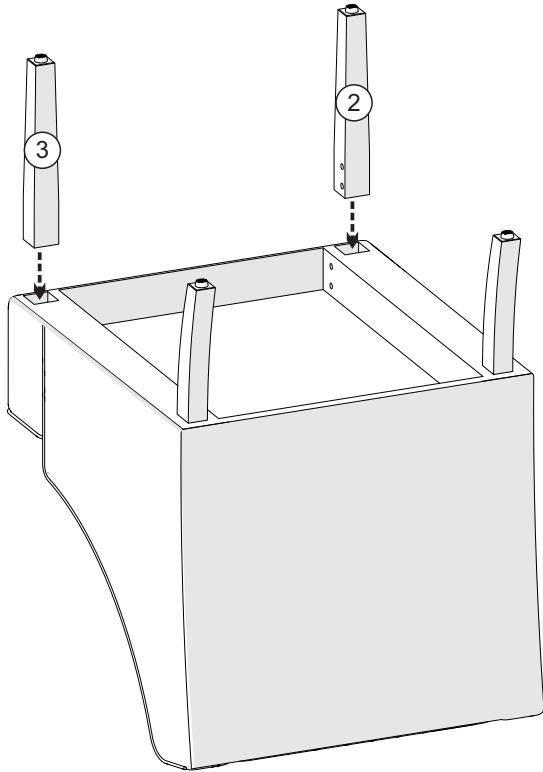


Please do not assemble with power tools

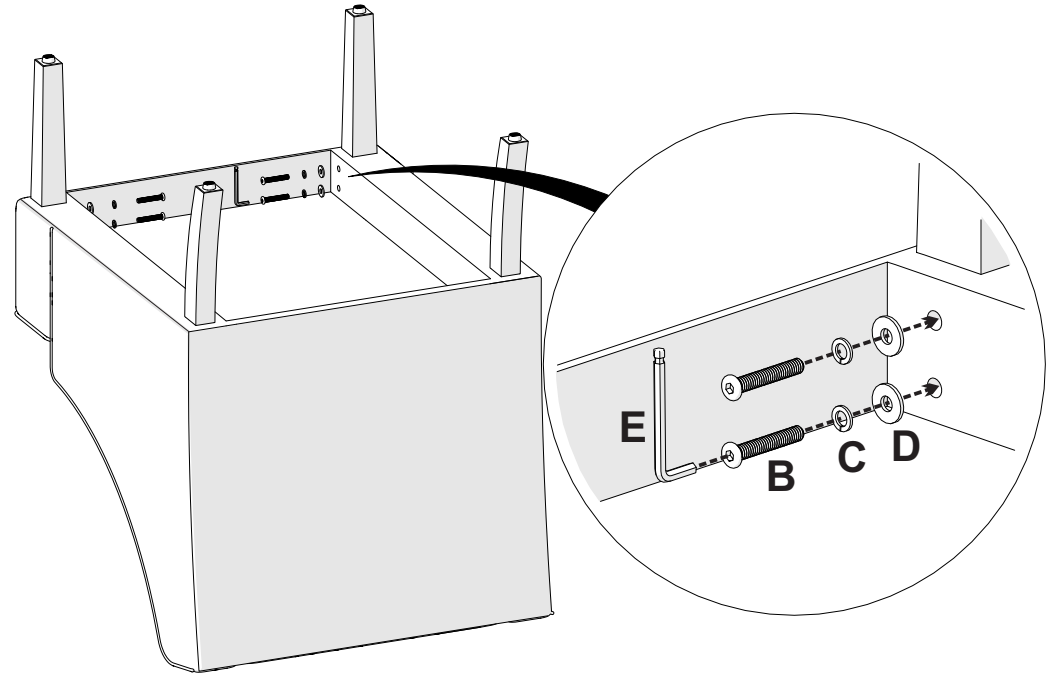
# step 2.

---

1



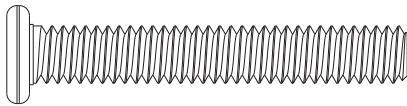
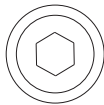
2



---

(B) x 4

5/16" x 50mm  
round hex screw



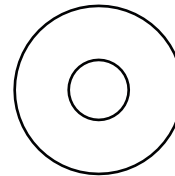
(C) x 4

Φ 8mm lock washer



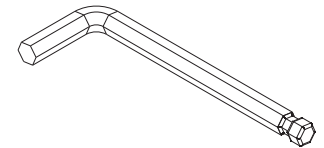
(D) x 4

Φ 22mm flat washer



(E) x 1

5mm Ball end  
Hex wrench



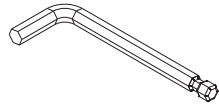
Please do not assemble with power tools

## step 3.

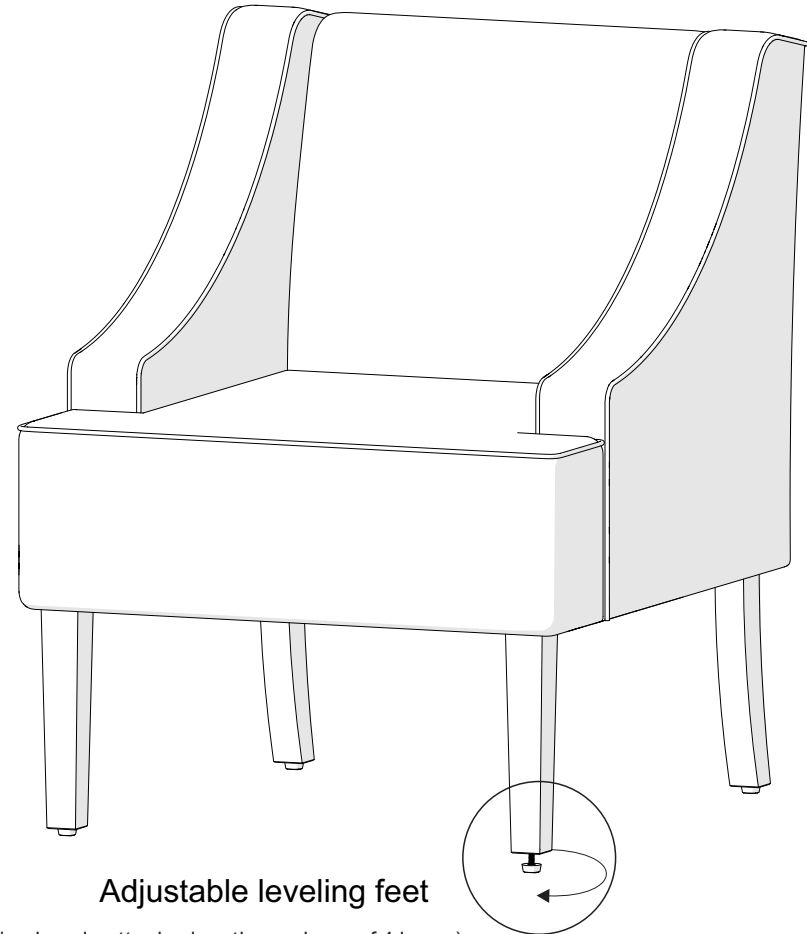
---

A friendly reminder from us:

Please keep the Allen wrench.



After a period of time, there may be a chance the KD furniture may become loose, please use an Allen wrench to tighten the loose bolts.



Adjustable leveling feet

( This part is already attached on the end cap of 4 legs. )

---

Level the furniture, use leveling feet if needed.