

Features

- 36" minimum base cabinet width.
- Double-equal bowls.
- 9" (229 mm) depth provides generous workspace.
- Self-Trimming® apron overlaps cabinet face for easy installation and beautiful results.
- Apron height allows sink to be used in most standard cabinetry or retrofitted to existing standard cabinetry.
- Single faucet hole.
- Rear drain increases workspace in the sink and storage space underneath.
- Includes installation hardware and compatibility template.

Material

- Handcrafted from 18-gauge stainless steel.
- Premium 18-gauge stainless steel.

Installation

- Top-mount.

Recommended Products/Accessories

- K-6475 Sink Rack
- K-8801 Sink drain and strainer with tailpiece
- K-8799 Sink drain and strainer basket
- K-23726 Drain treatment
- K-23729 Stainless steel cleaner

Optional Products/Accessories

- K-6429 Utility Rack
- K-6432 Saddle Towel Bar
- K-6434 Saddle Utility Rack
- K-11352 Disposal Flange with Stopper

Included Components

Additional Components:

- 1130570
- 1173293

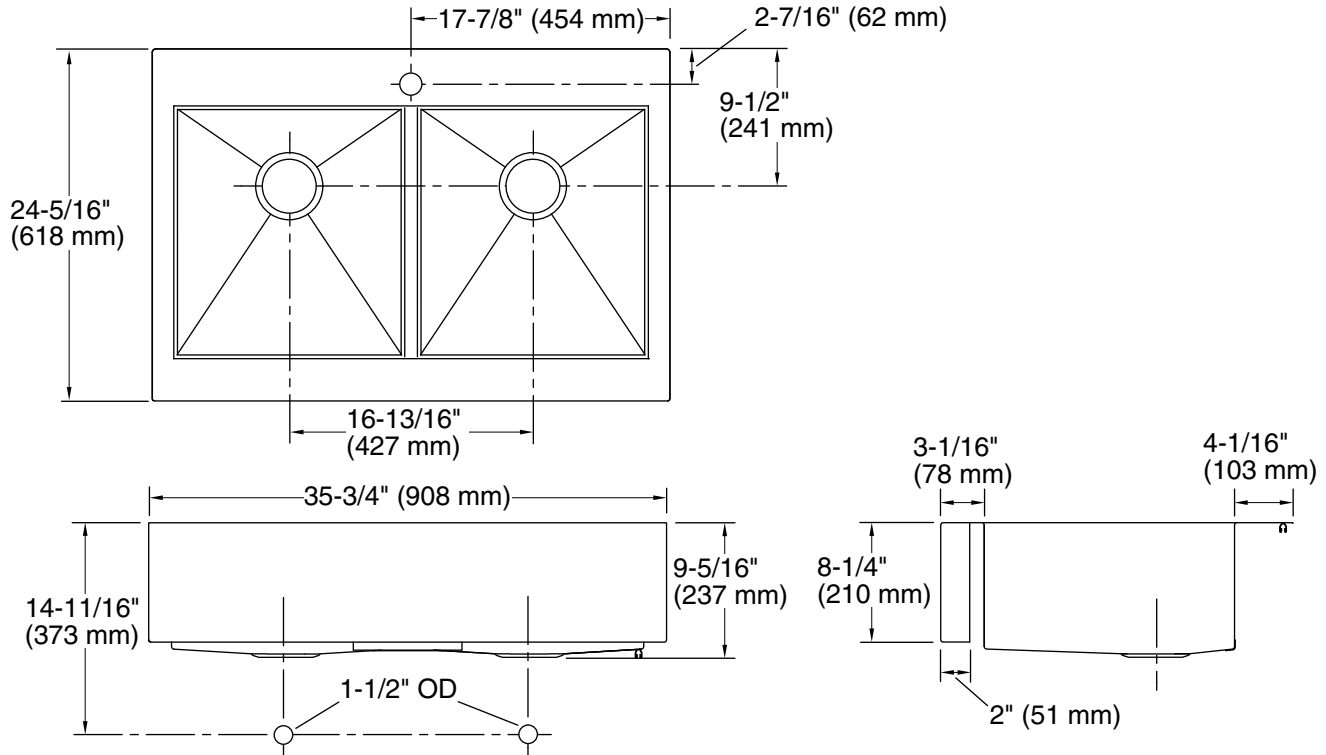


Codes/Standards

ASME A112.19.3/CSA B45.4

Lifetime Limited Warranty for KOHLER® Stainless Steel Sinks

See website for detailed warranty information.



Technical Information

All product dimensions are nominal.

Bowl configuration: Double equal

Installation: Top-mount

Min. base cabinet width: 36" (914 mm)

Bowl area (Left):
Length: 17-3/16" (437 mm)
Width: 15-11/16" (398 mm)
Bowl depth: 9" (229 mm)

Bowl area (Right):
Length: 17-3/16" (437 mm)
Width: 15-11/16" (398 mm)
Bowl depth: 9" (229 mm)

Number of deck holes: 1

Faucet hole(s): 1-7/16" (37 mm)

Drain hole: 3-5/8" (92 mm)

Template: 1166717-7, required, included
1178341, required, included

Notes

Install this product according to the installation instructions.