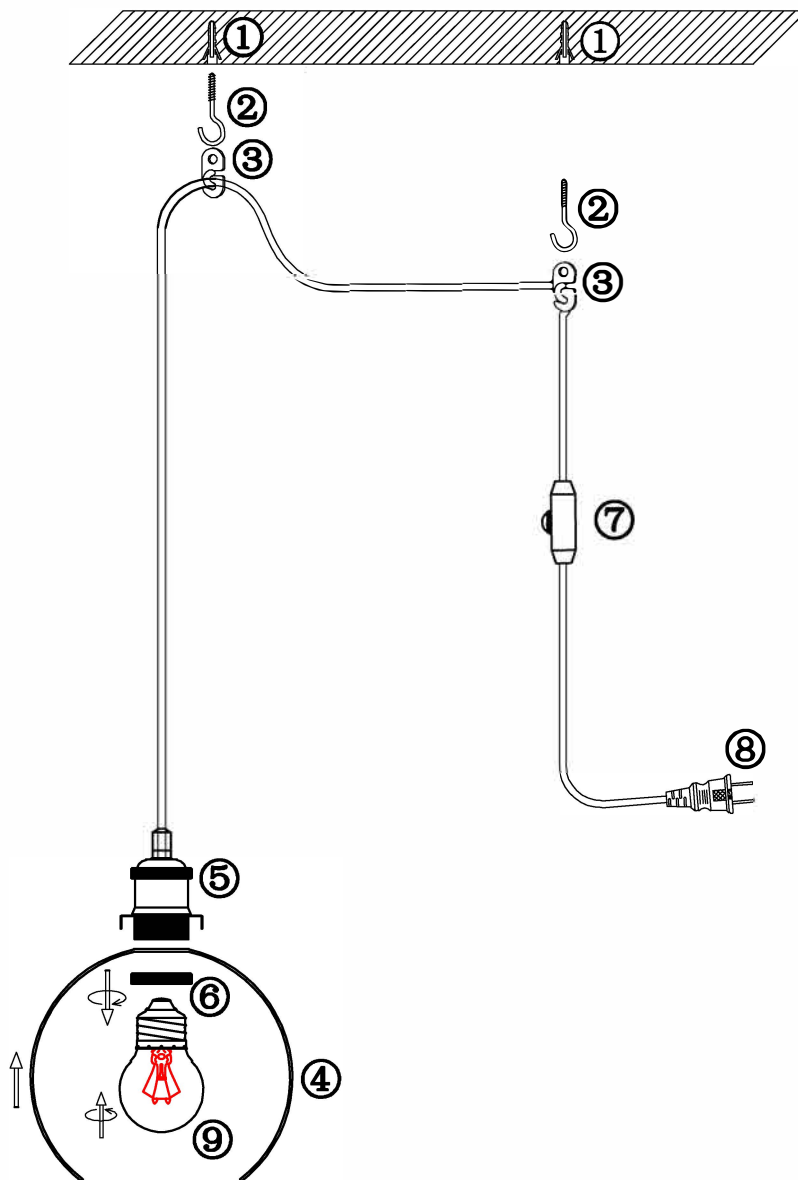
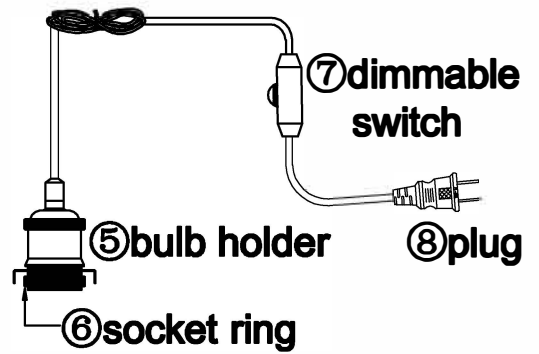


① expansion anchor PVC 3pcs

② hook screw 3pcs

③ shock cord hook 3pcs

④ glass lampshade 1 pcs



1. Install the hook screw to the ceiling with expansion anchor PVC.
2. Hang the wire to the open side of shock cord hook ③, adjust suitable distance of the wire.
3. Hang the shock cord hook ③ on the hook ②.
4. Install the lampsahde to the light fixture with socket ring ⑥, and install the bulb ⑨.
5. Plug in the switch and adjust the brightness through dimmable switch ⑦.

Please read carefully before installation!!!

Note : Please make sure that the electricity is powered off during installation! Only a professional electrician should install this kind of product!