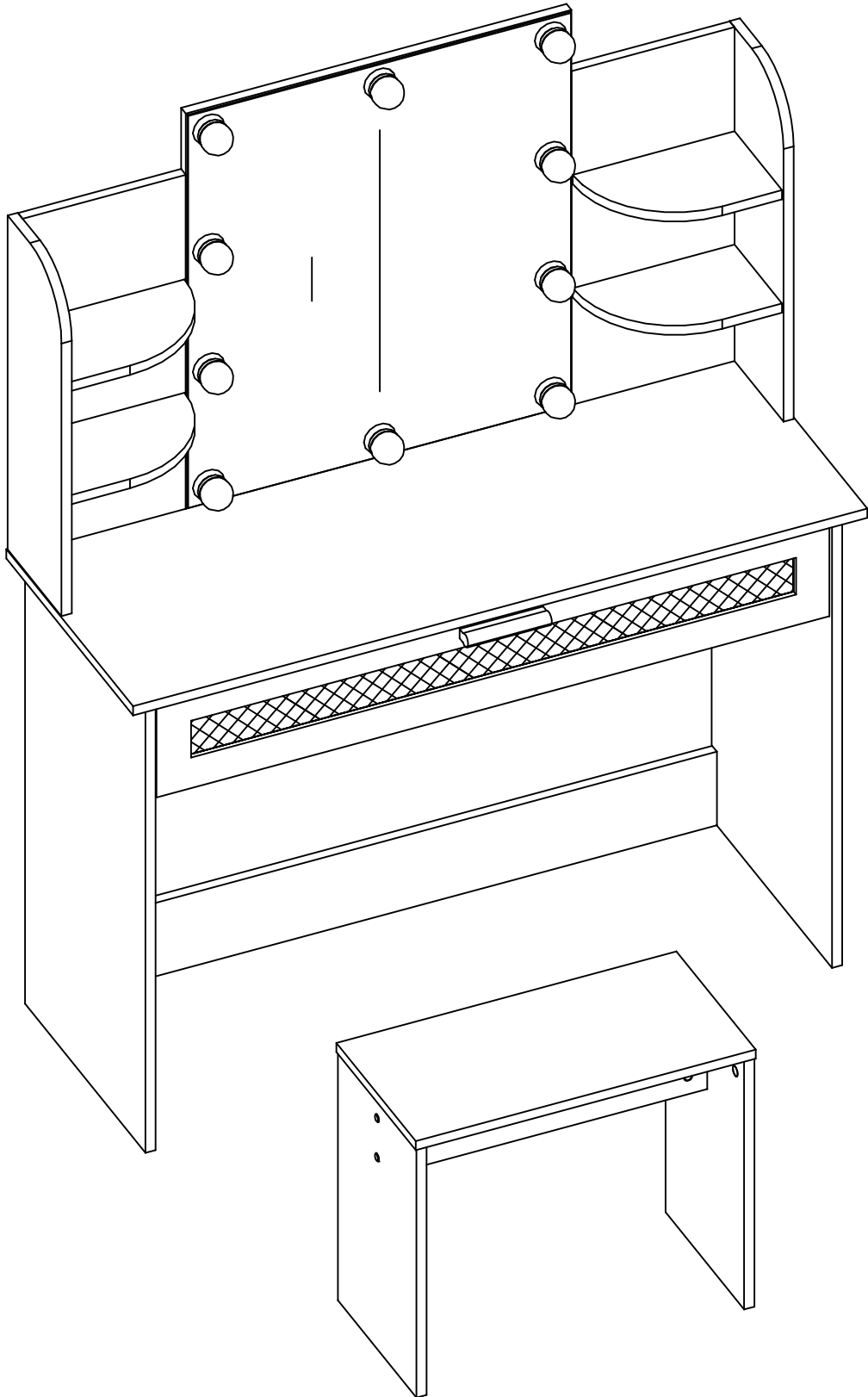
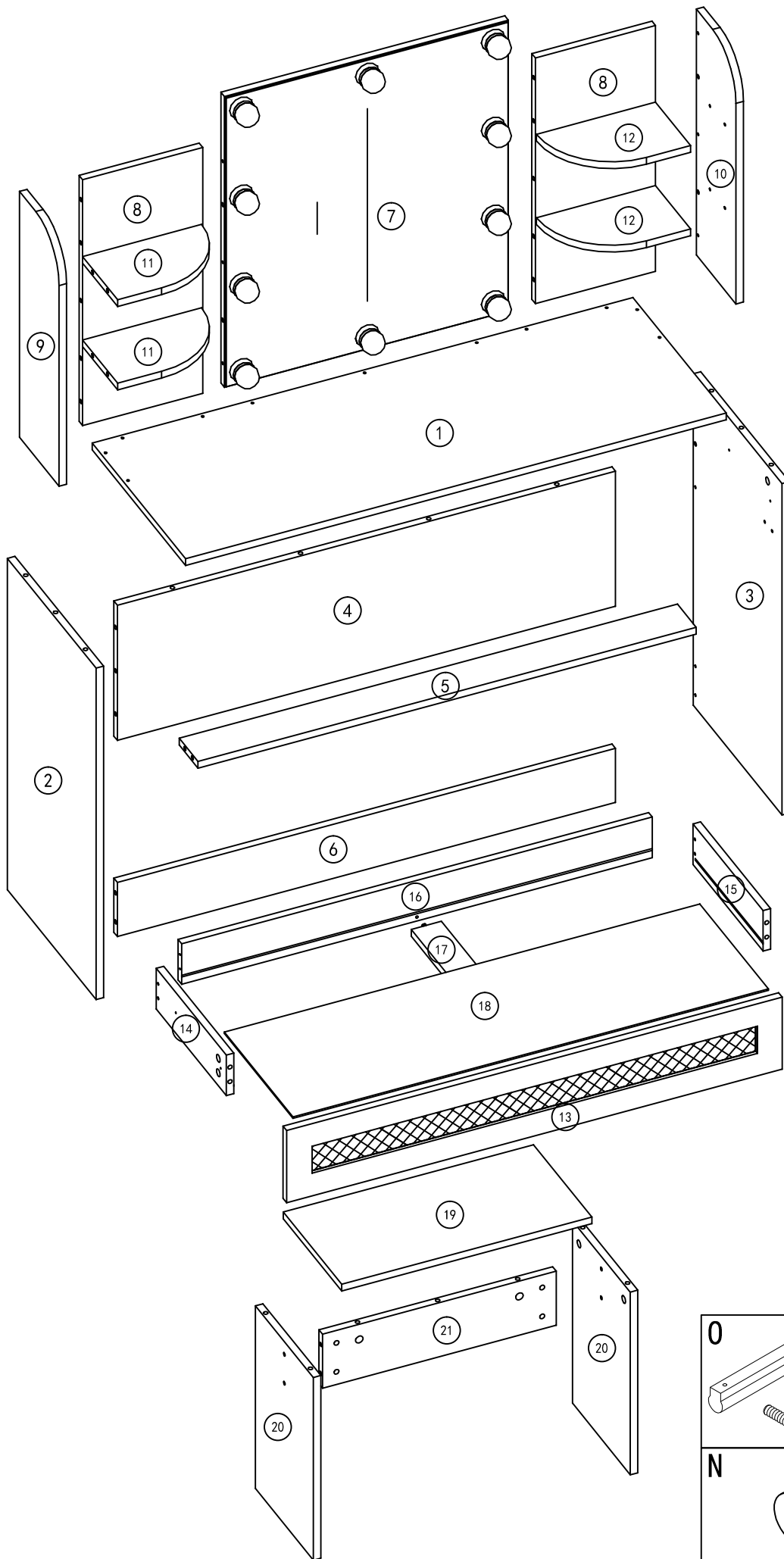
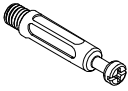

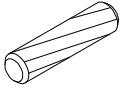

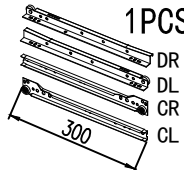



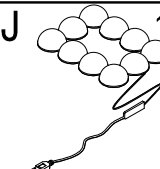
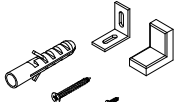
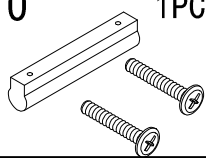
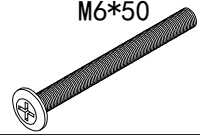




Assembly Instructions

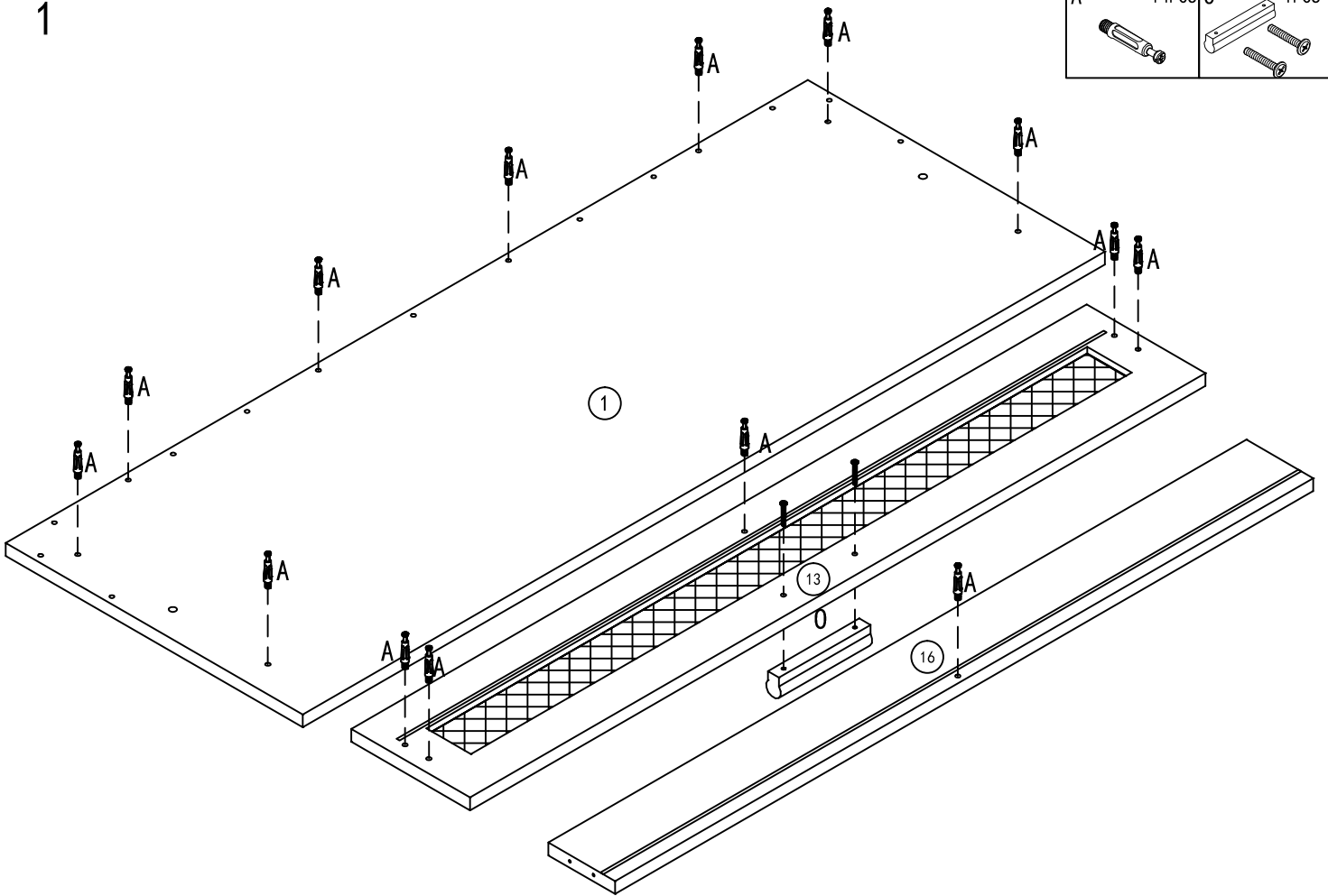
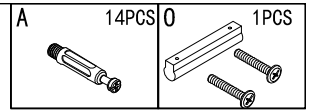




A	52PCS	
B	52PCS	$\Phi 15 \times 11$ 
C	13PCS	$\Phi 8 \times 40$ 
D	19PCS	M5*40 
E	1PCS	DR DL CR CL 300 
F	4PCS	M3.5*35 
G	8PCS	M3.5*14 
H	8PCS	
J	1PCS	
K	2PCS	
O	1PCS	
L	4PCS	M6*50 
N	4PCS	
M	4PCS	

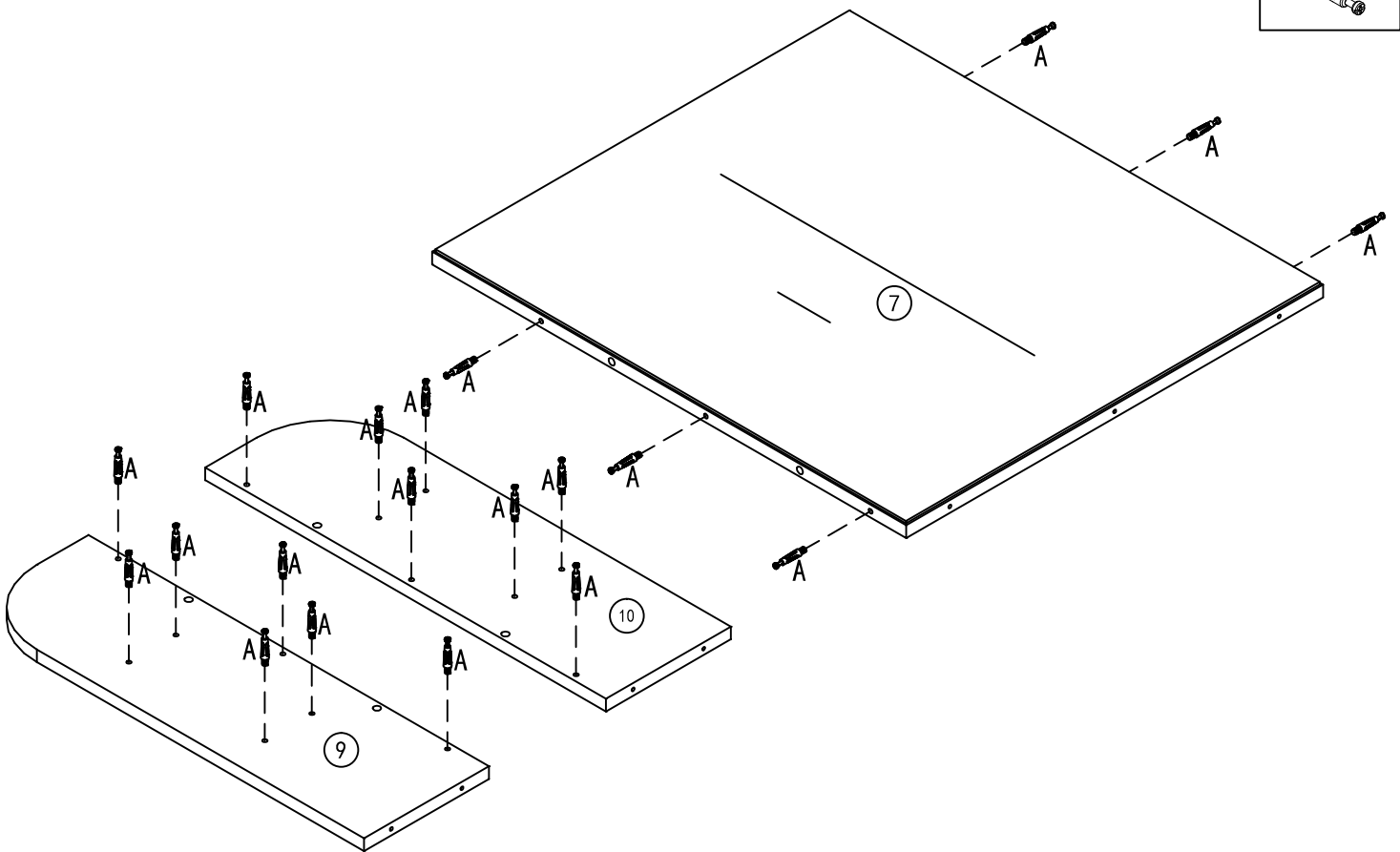
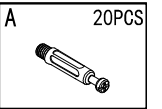
1

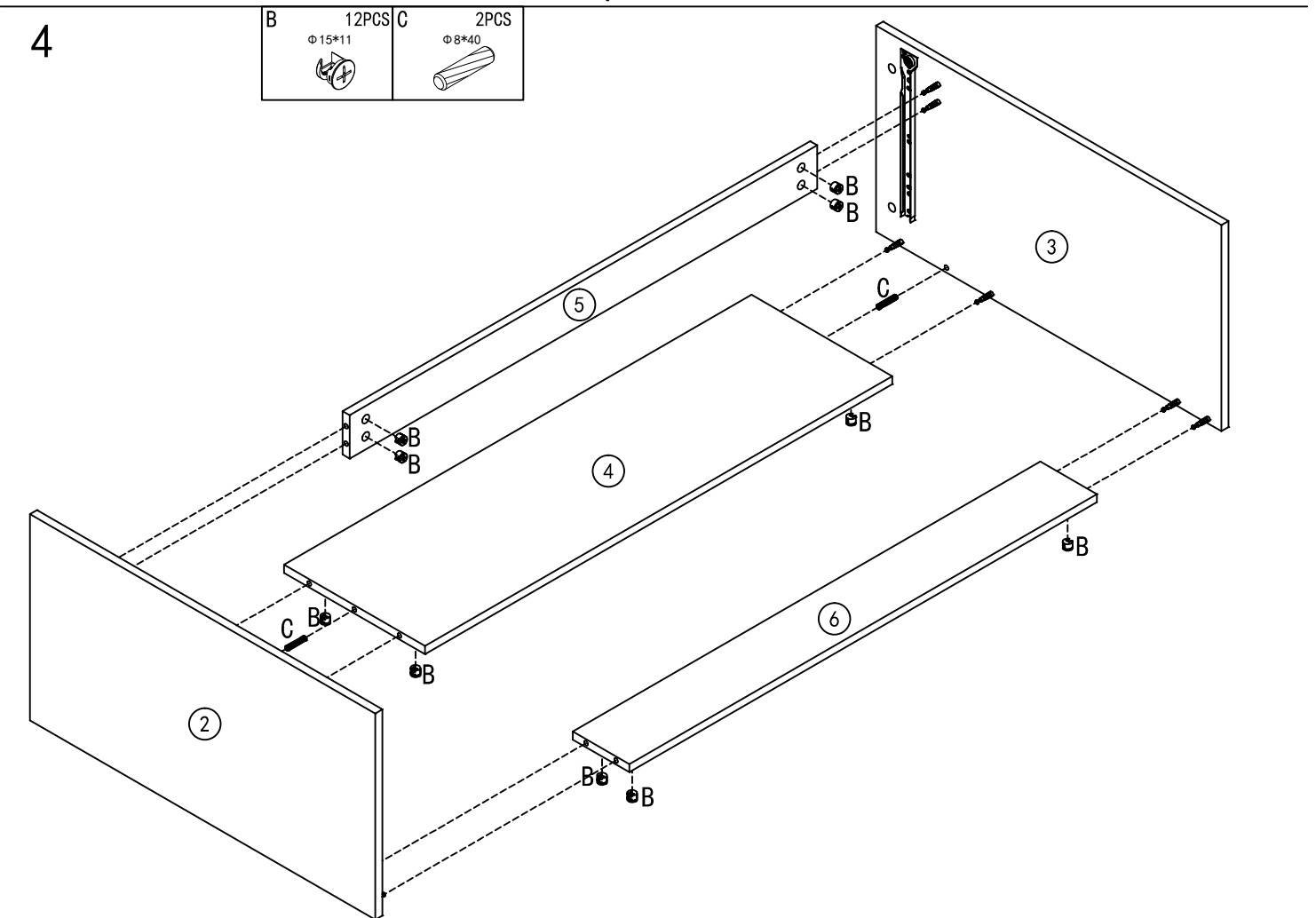
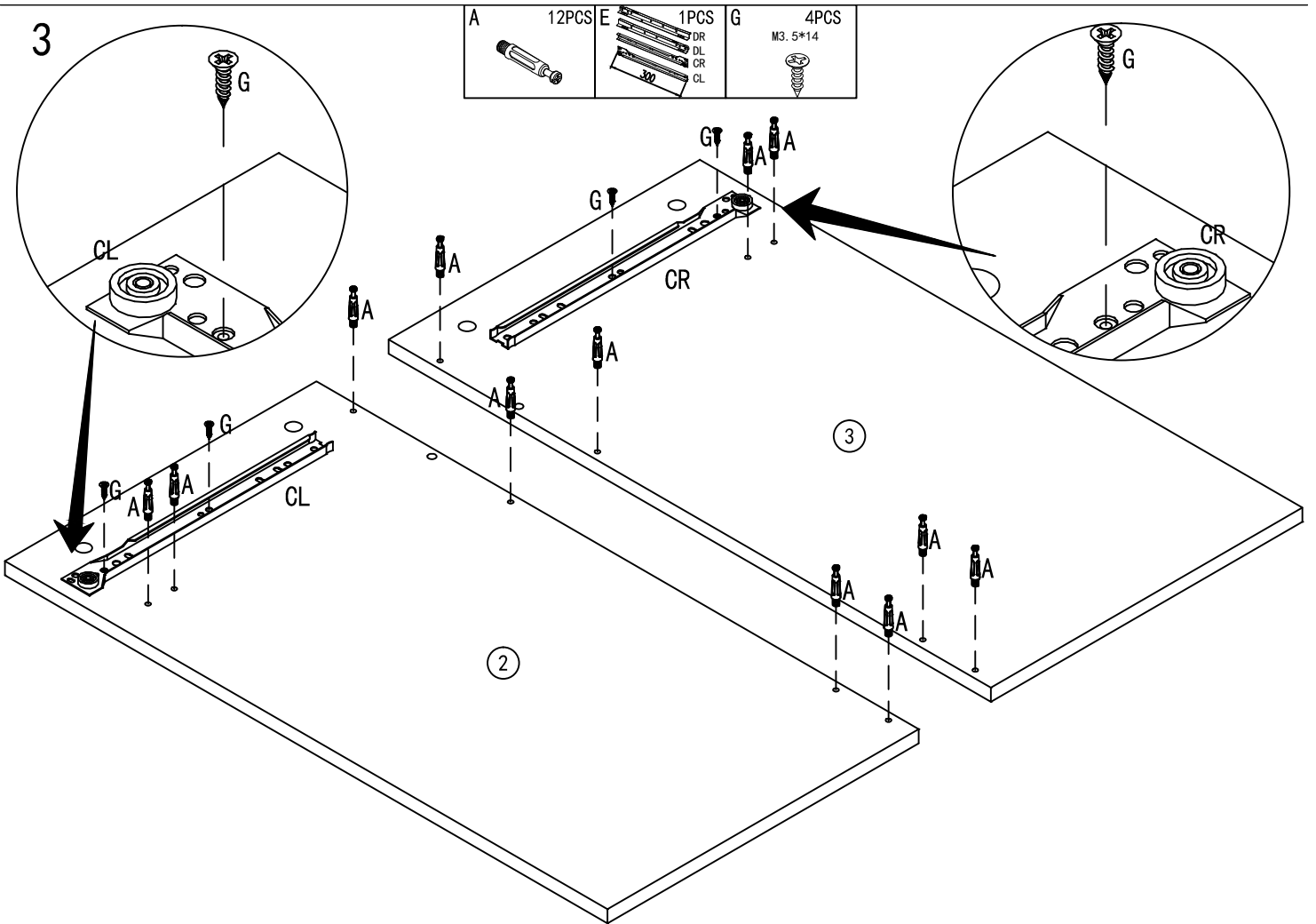
A	14PCS	O	1PCS
---	-------	---	------



2

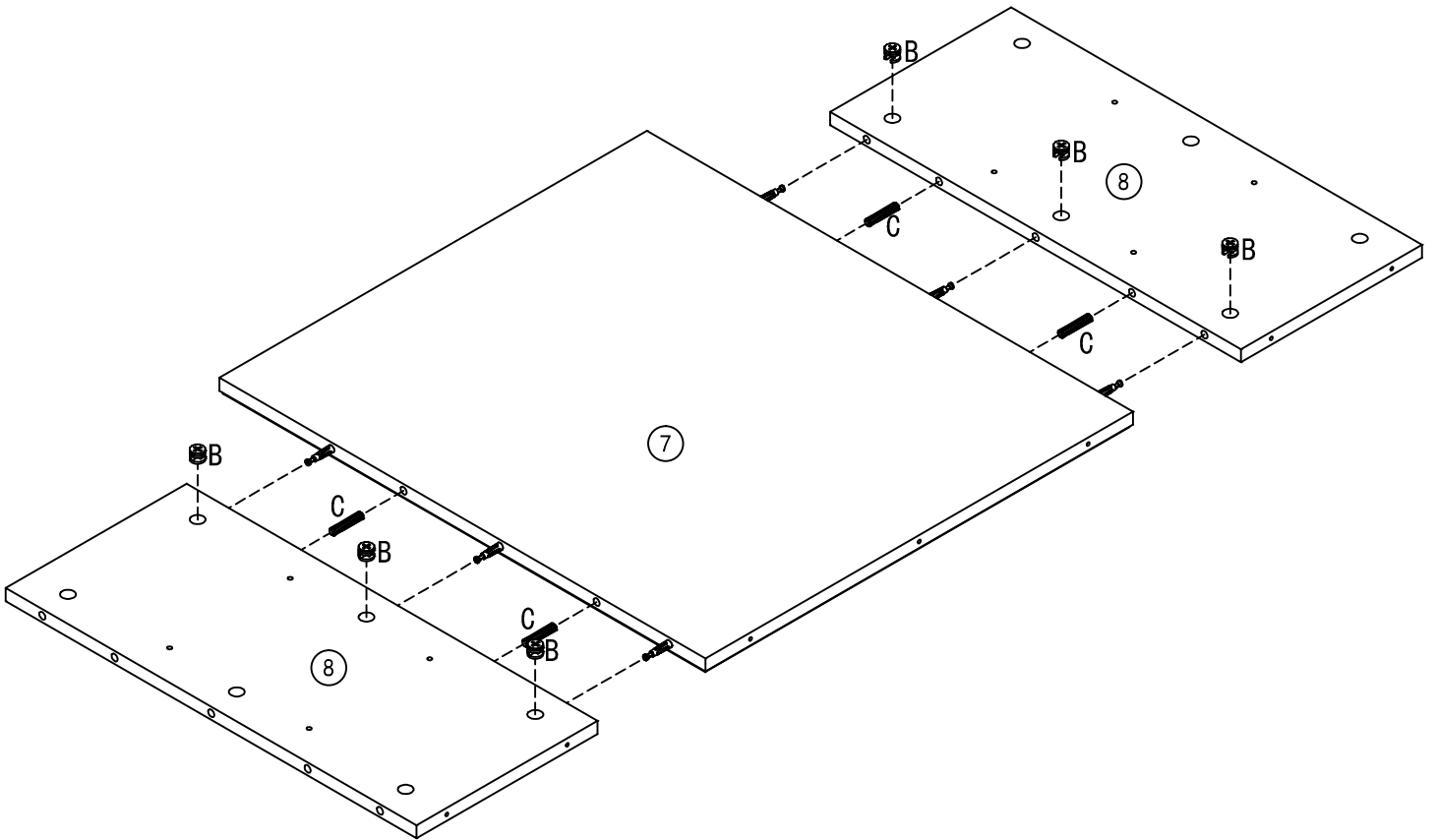
A	20PCS
---	-------





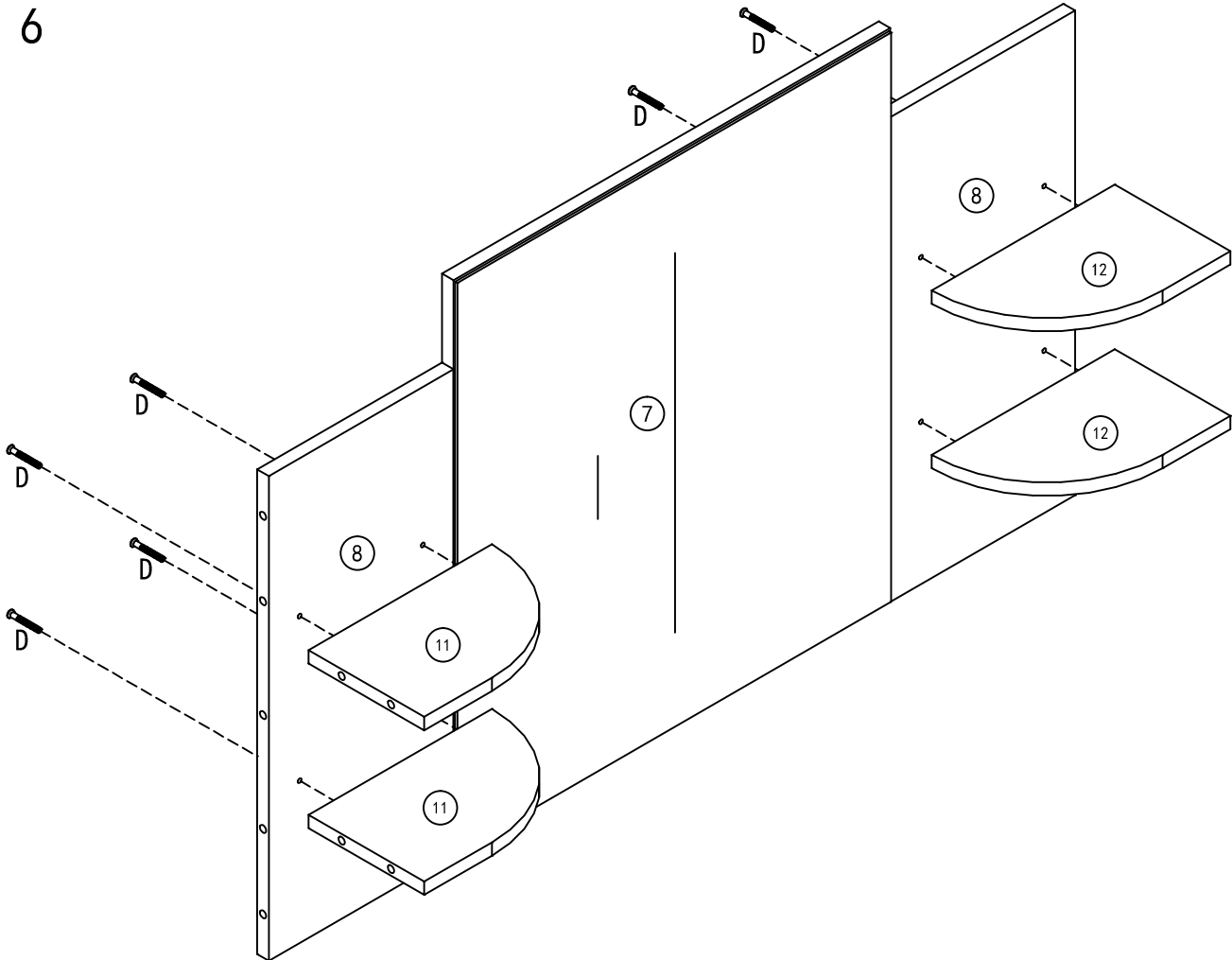
5

B	6PCS Φ 15*11	C	4PCS Φ 8*40
----------	-----------------	----------	----------------





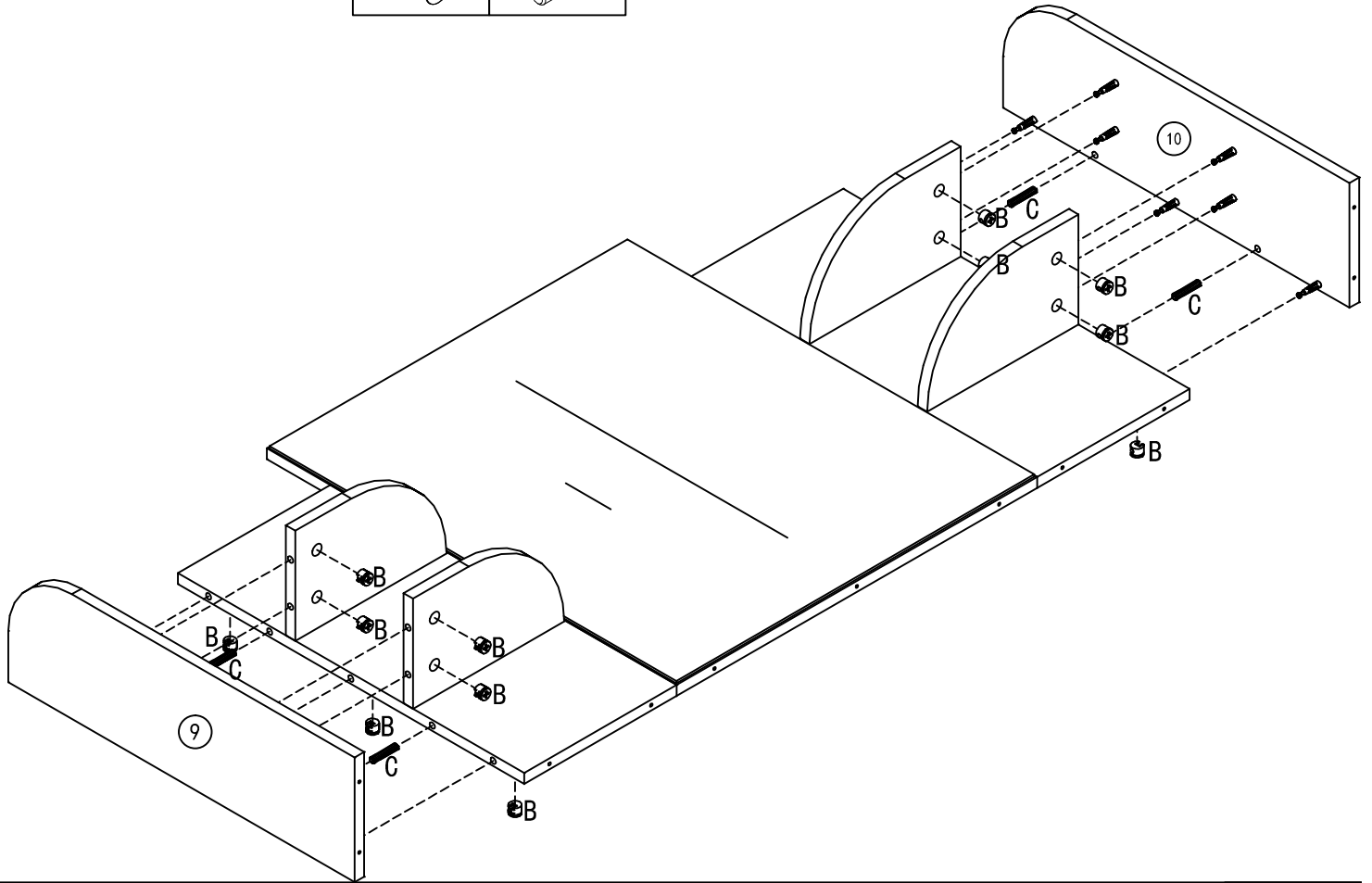
6

D	8PCS M5*40
----------	---------------




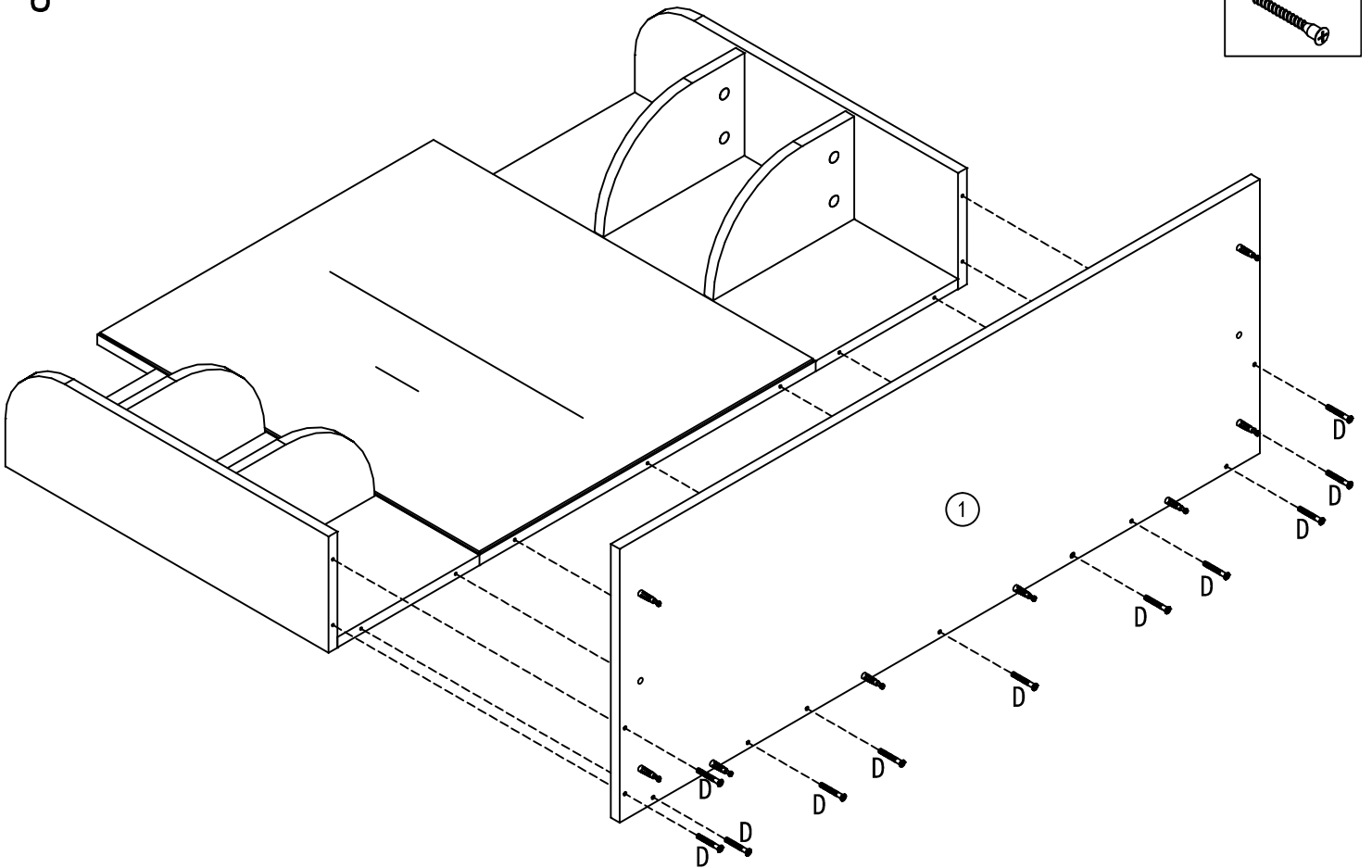
7

B	14PCS	C	4PCS
$\phi 15 \times 11$		$\phi 8 \times 40$	

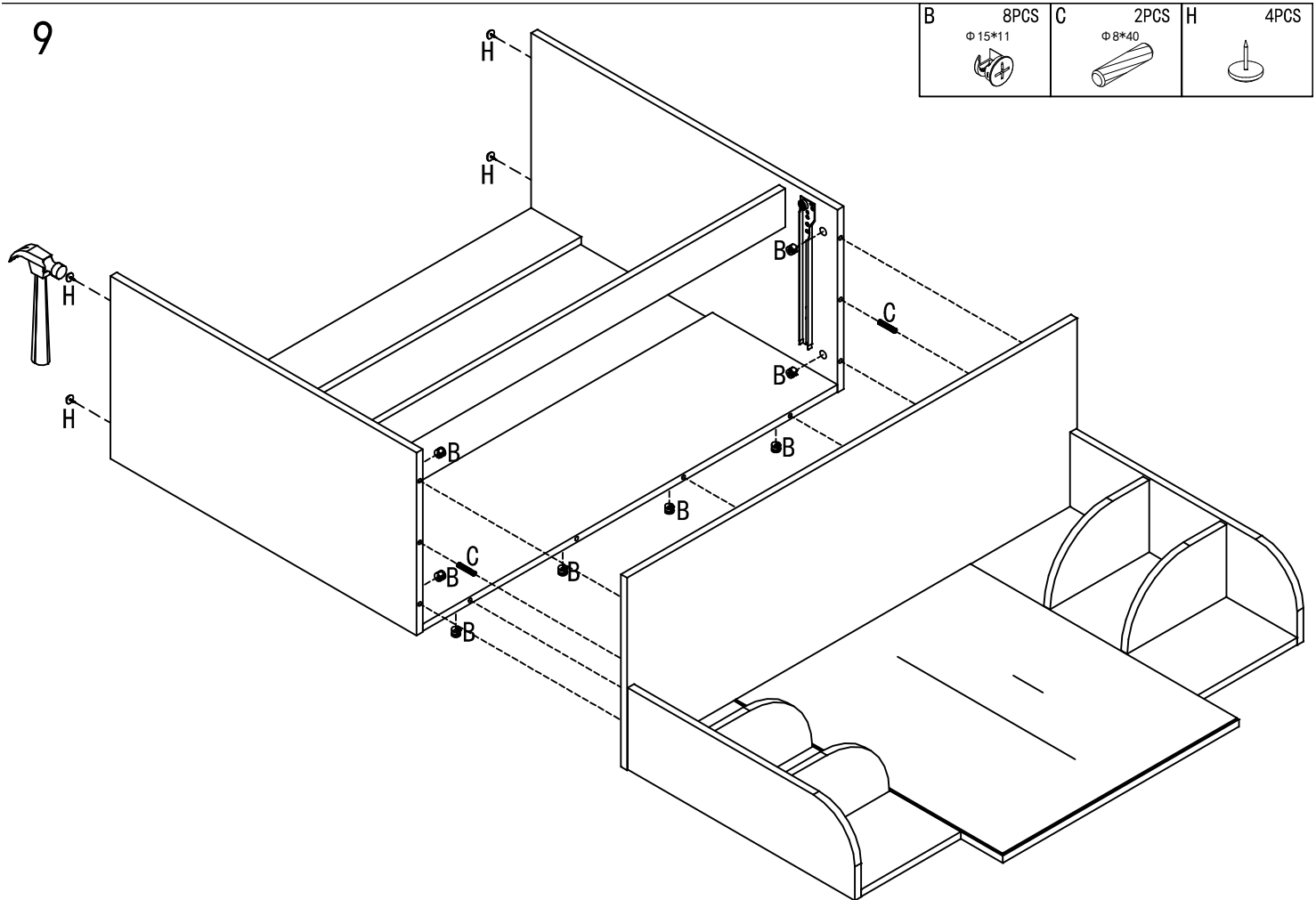


8

D	11PCS
M5*40	

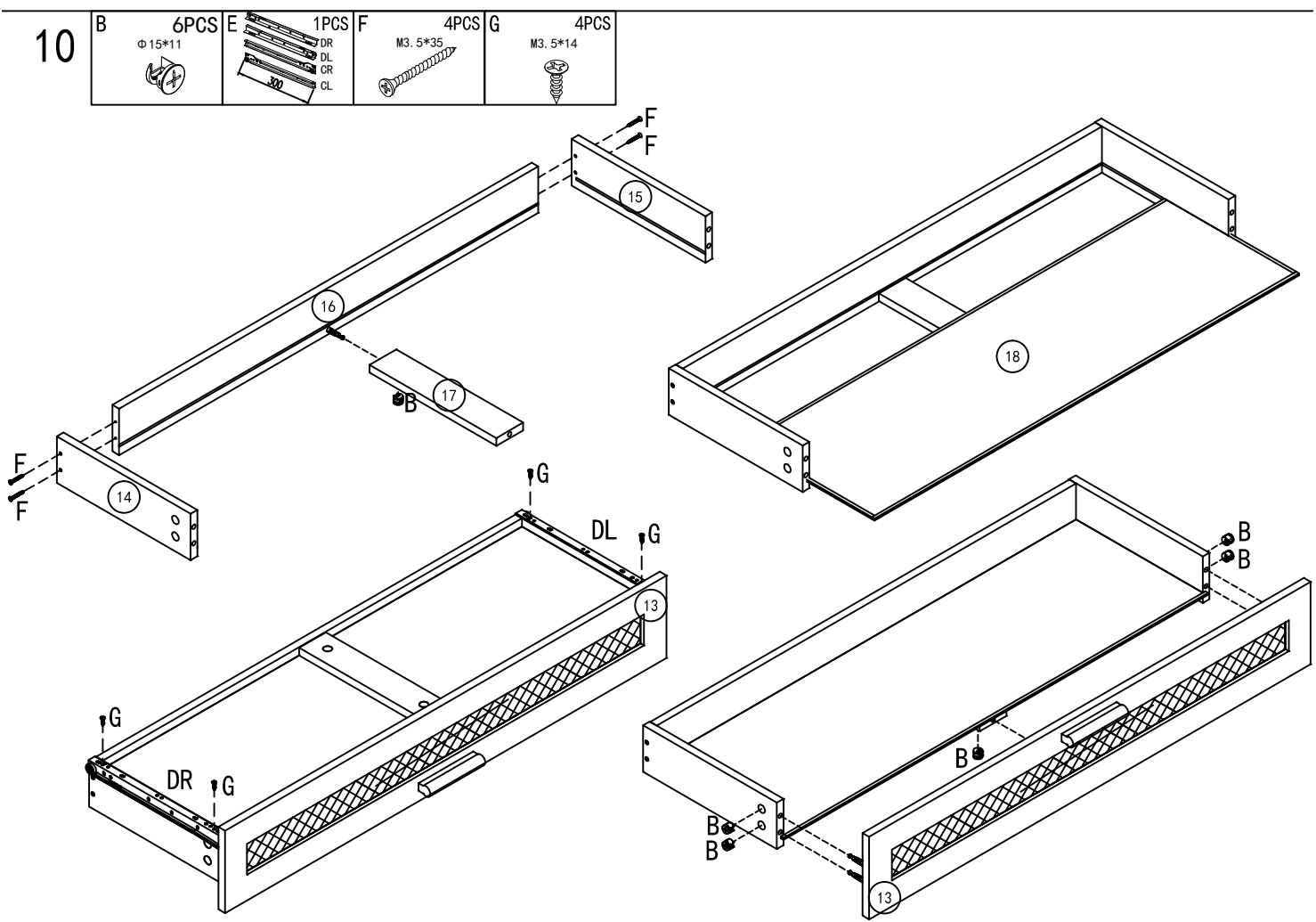


9



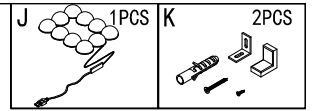
B	8PCS Φ 15*11	C	2PCS Φ 8*40	H	4PCS
---	-----------------	---	----------------	---	------

10



B	6PCS Φ 15*11	E	1PCS DR DL CR CL	F	4PCS M3.5*35	G	4PCS M3.5*14
---	-----------------	---	------------------------------	---	-----------------	---	-----------------

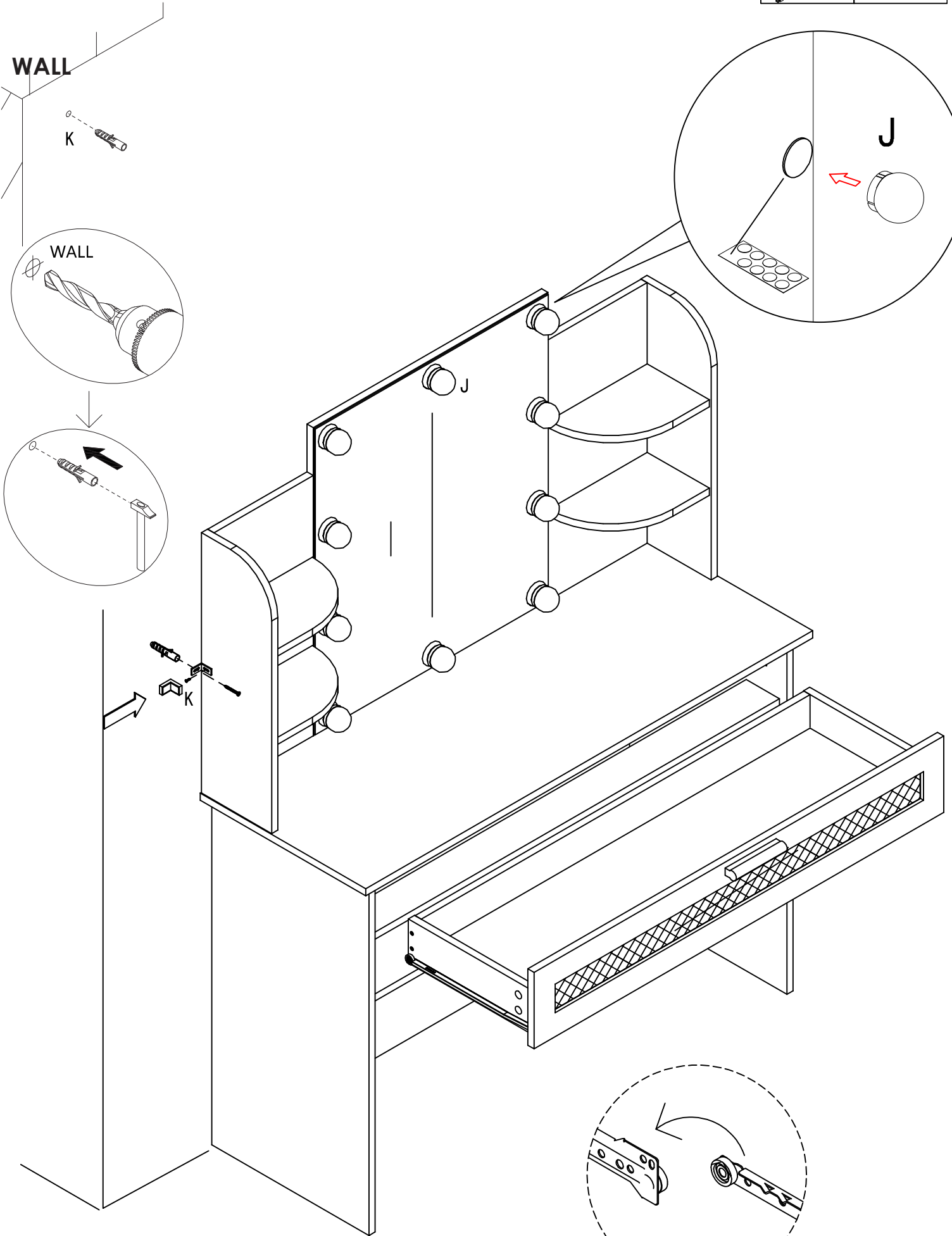
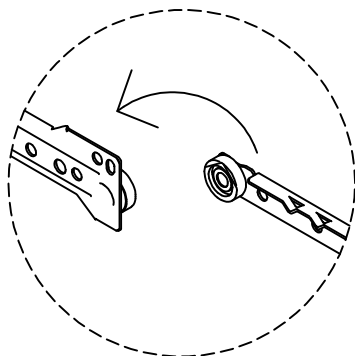
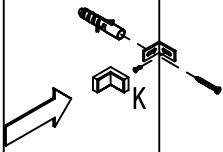
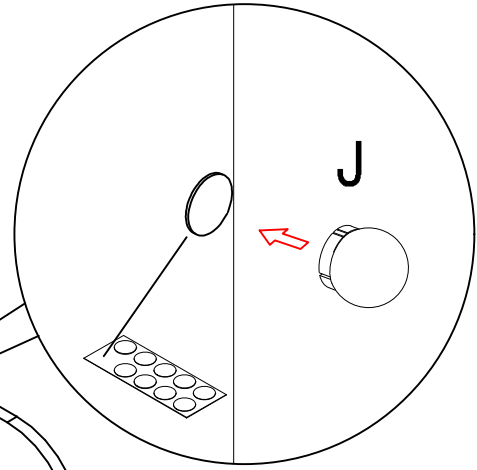
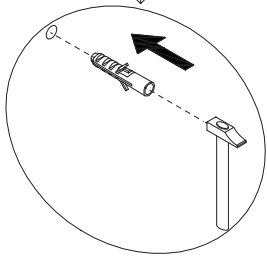
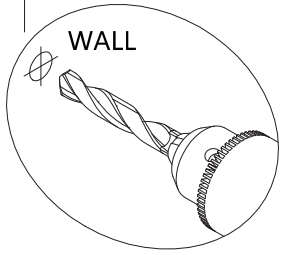
11



WALL

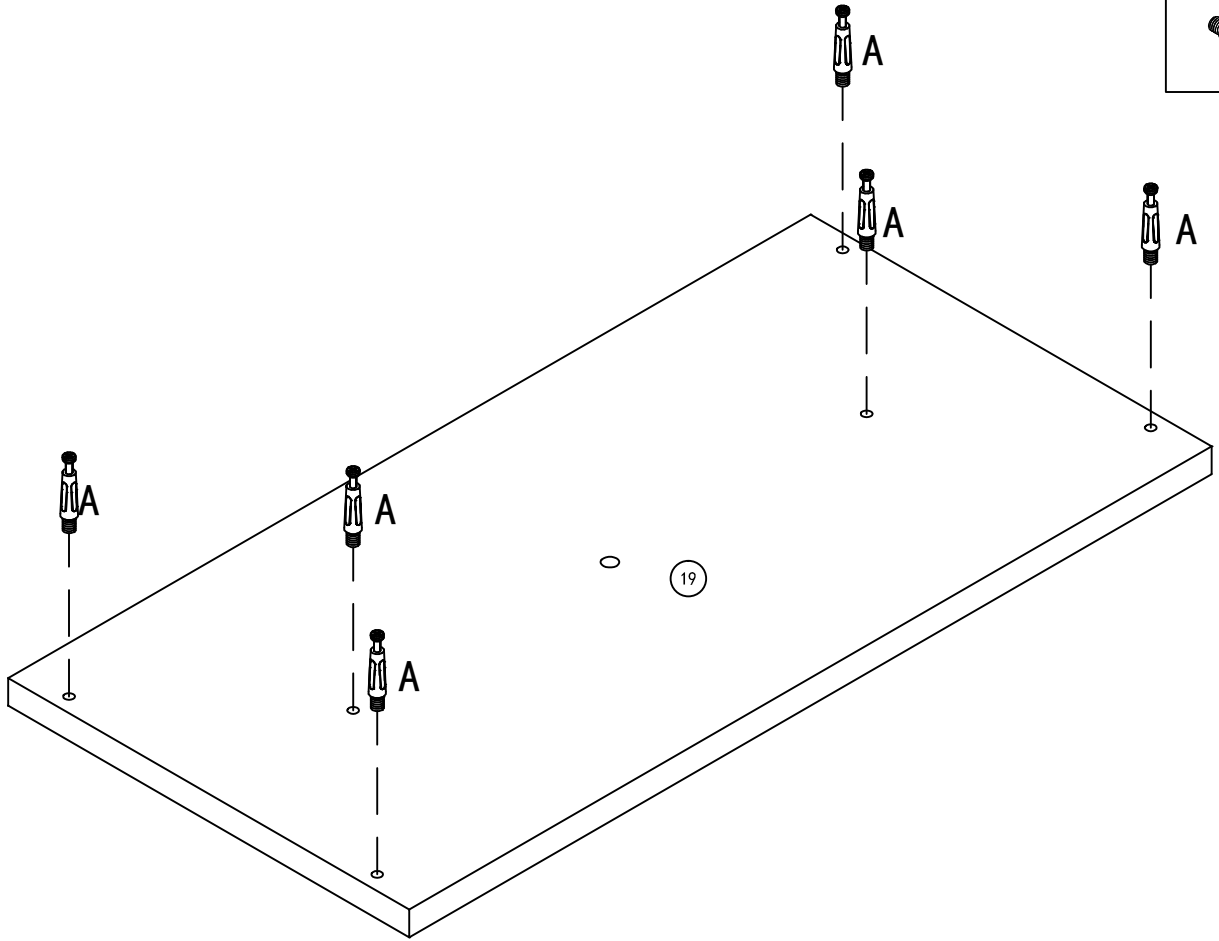



WALL



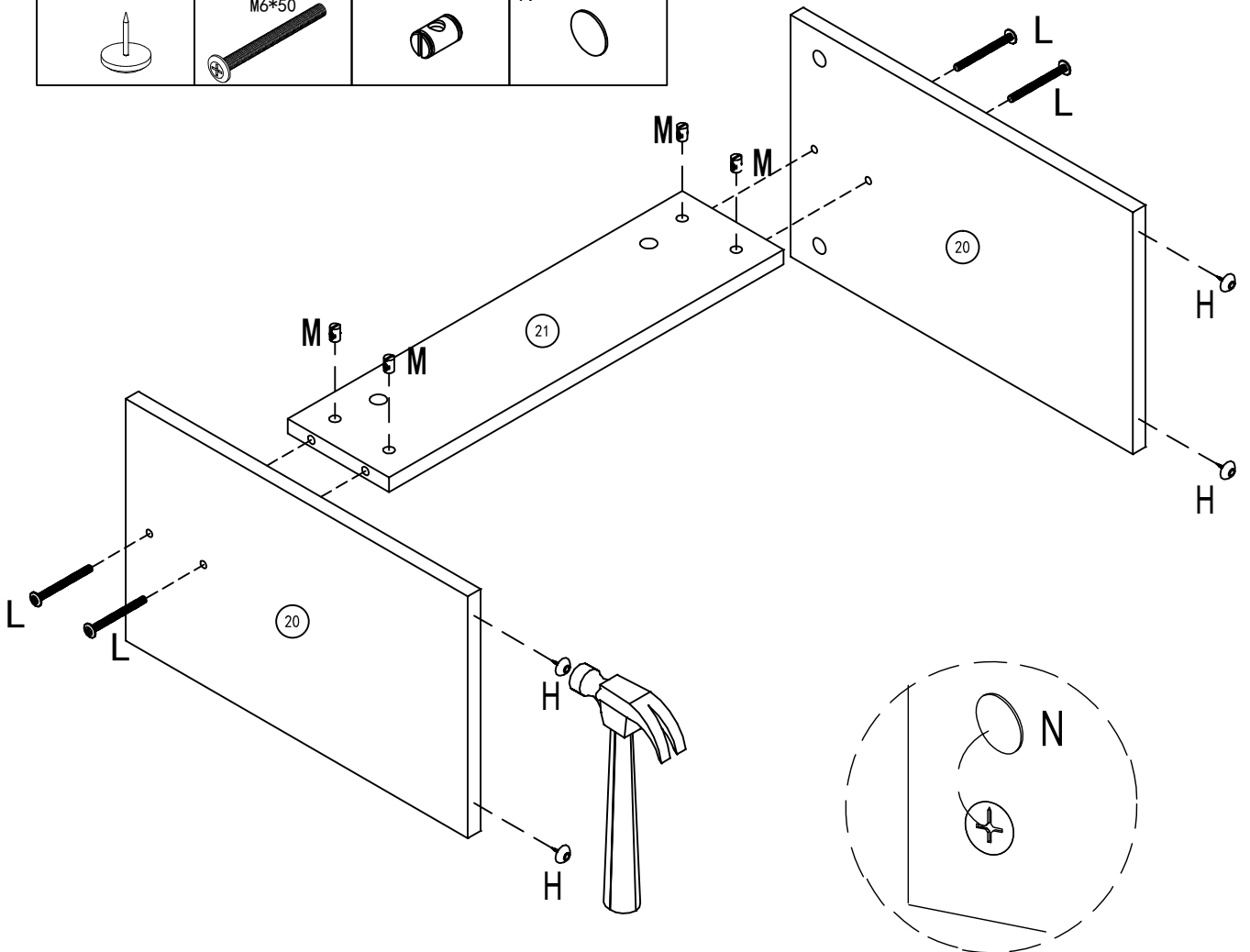




12

A 6PCS
Ø 6*40

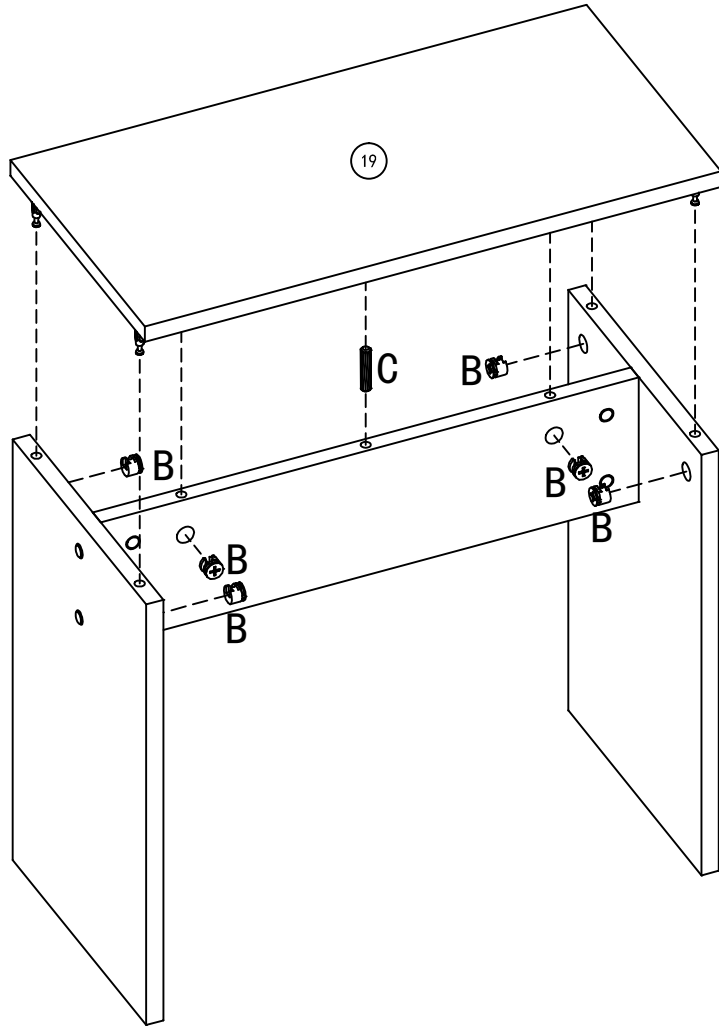



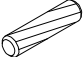
13

H 4PCS	L M6*50 4PCS	M 4PCS	N 4PCS
--------	--------------	--------	--------



14



B	6PCS	C	1PCS
	$\Phi 15 \times 11$		$\Phi 8 \times 40$
			

15

