

AXOR Universal Accessories Toilet Paper Holder with Cover

Finishes : **brushed nickel** Part no. : **42836820**



Description

Features

- Metal
- Wall-mounted
- Mirror-inverted installation is also possible
- Mounting in combination with a soap dish or shelf and/or rail-mounting possible (requires # 42870XXX Modular Adaptor Set)

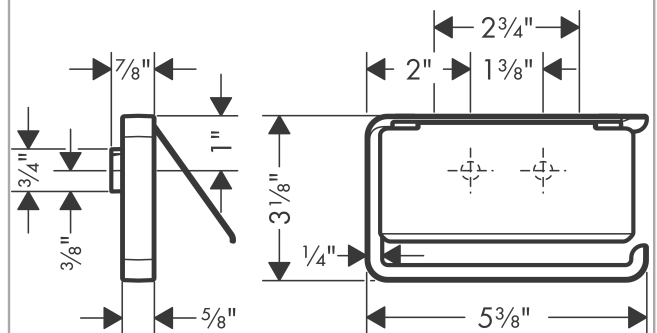
Design awards



Product image



Scale drawing

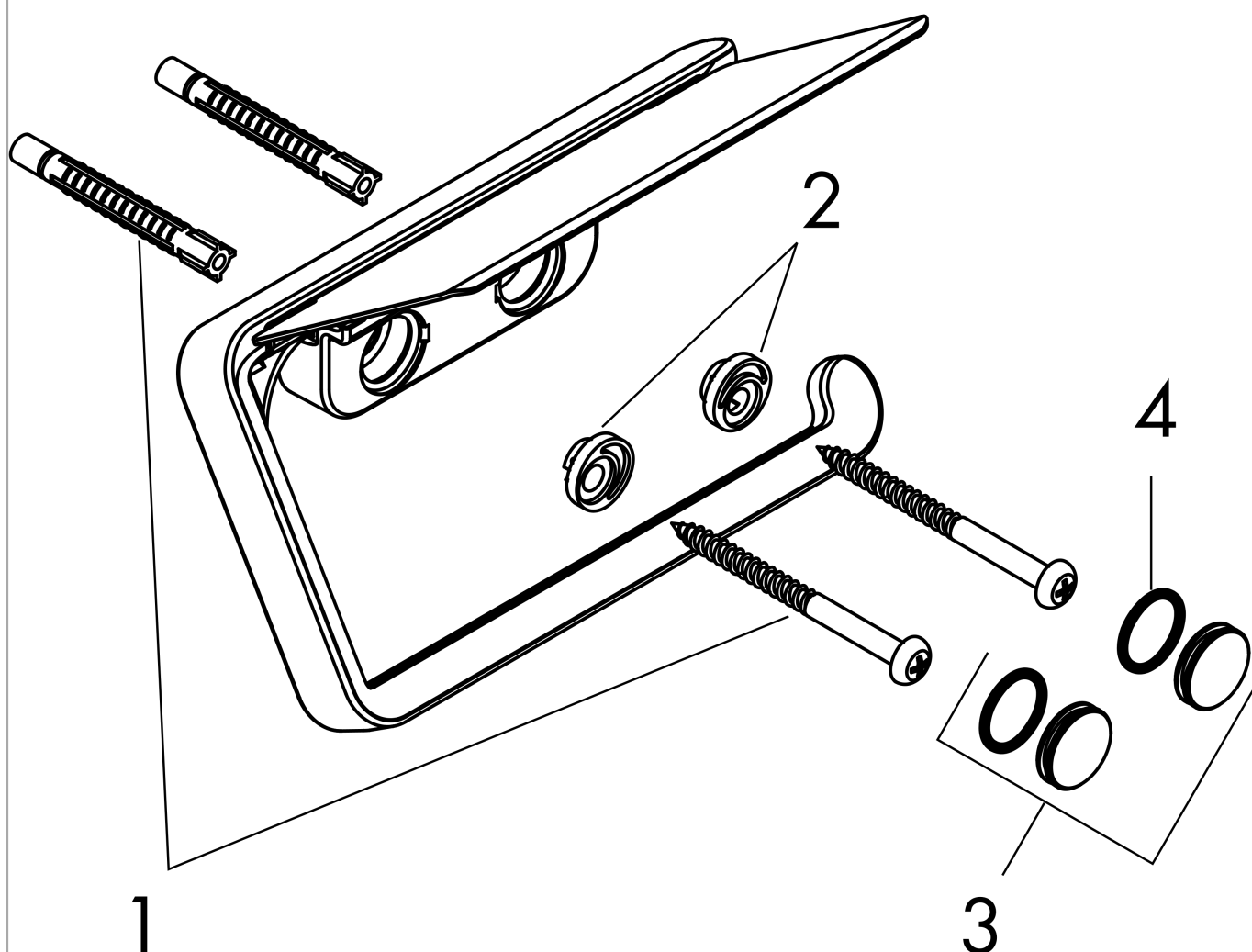


AXOR Universal Accessories
Toilet Paper Holder with Cover
Finishes : **brushed nickel** Part no. : **42836820**



Exploded drawing

Year of production: >02/16



AXOR Universal Accessories
Toilet Paper Holder with Cover

Finishes : **brushed nickel** Part no. : **42836820**



Spare parts list

Year of production: >02/16

Pos.	Description	Part no.	PC	PU
1	mounting set	40915000	0	1
2	excentric socket	97604000	0	1
3	set of covers	92437820	0	1
4	O-ring 13x1,5	98475000	0	1
a	set of adapters	42870000	0	1
b	set of covers	42871820	0	1
c	mounting kit for two-sided glass montage	42841000	0	1