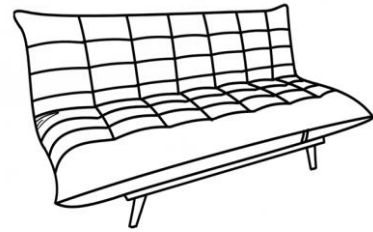
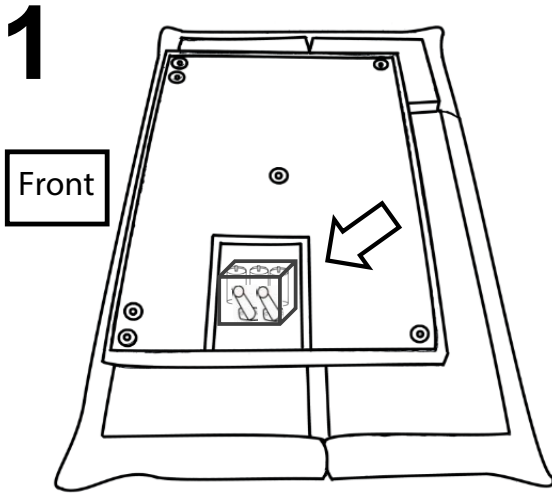


ASSEMBLY INSTRUCTIONS

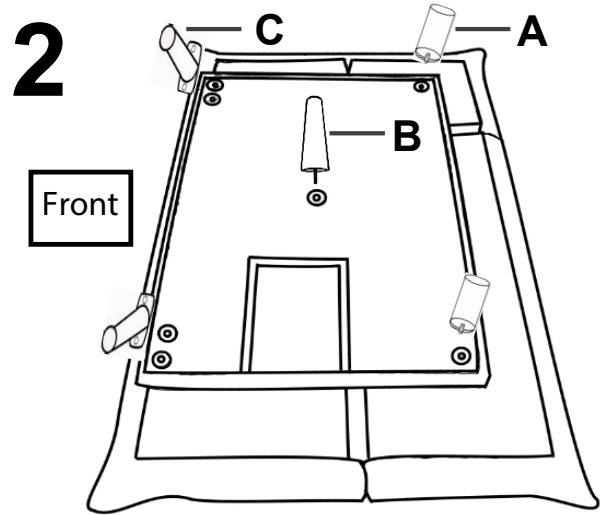
ITEM # 8355 / 8356 / 8357 / 8358 / 8359



A. Back legs	B. Middle leg	C. Front legs	D. Allen key	E. Flat washer	F. Bolts
2 pcs		2 pcs	1 pc	4 pcs	4 pcs



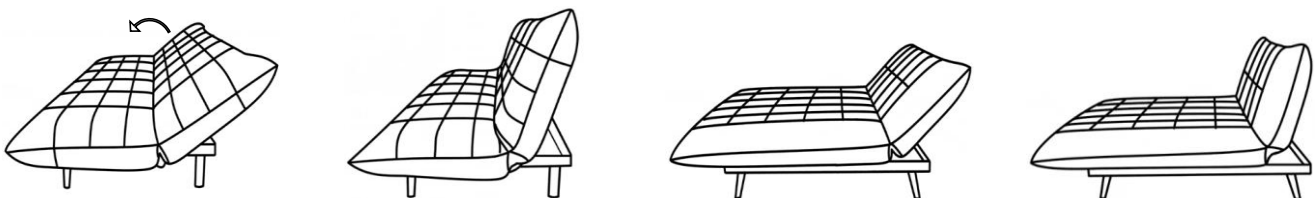
1. Please Have the sofa bed on its top side on a flat surface, make sure there are not any sharp objects underneath the sofa. There will be a velcro Underneath Shown in the photo , inside you will find the legs to complete the sofa bed.



2. Please note which side is the front and back , you can tell by the main bottom frame where it is closer to the end is the front as shown in the photo.

The Back Legs Can be twisted into the holes . The front legs will require bolts to be put on with the Hex key on the front. Make sure one washer is put onto each bolt before assembly . Once All four legs are tightened , two or more people are required to flip over the sofa bed

This sofa bed can be converted into a sofa or lounger in multiple angles, please see the images below.



Attention : To Change Sofa Positions , Place your hands in the middle of the Sofa To ensure both mechanisms are in sync

