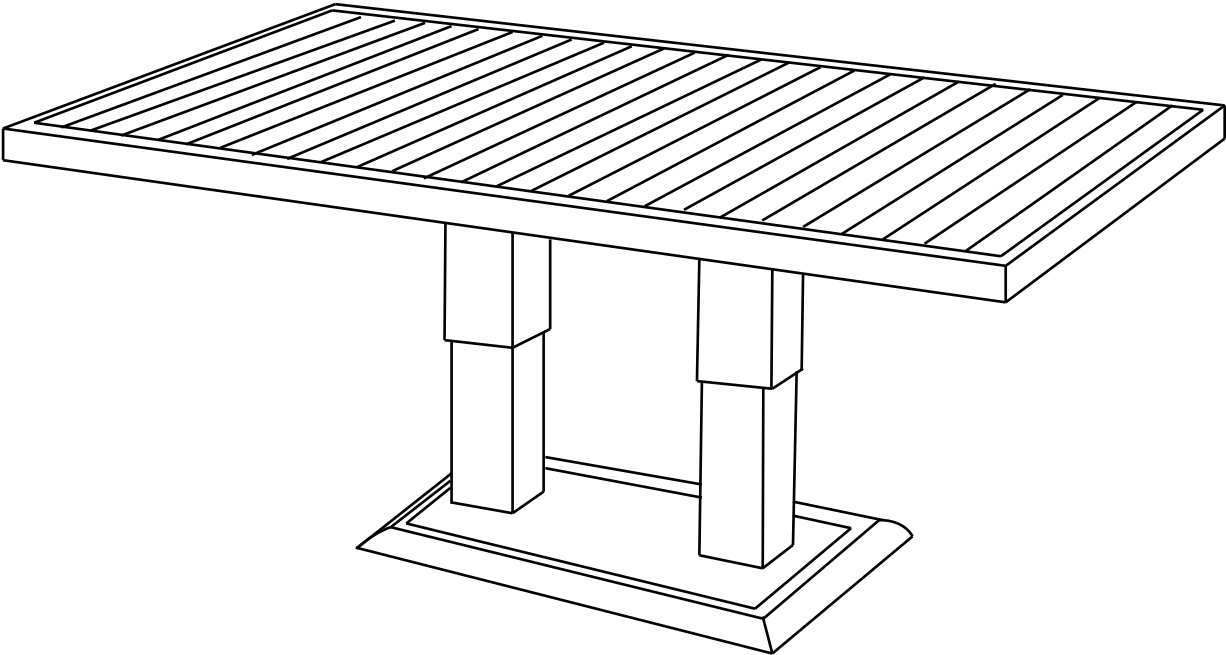


Aluminium 150x90 Rectangular Rising Table

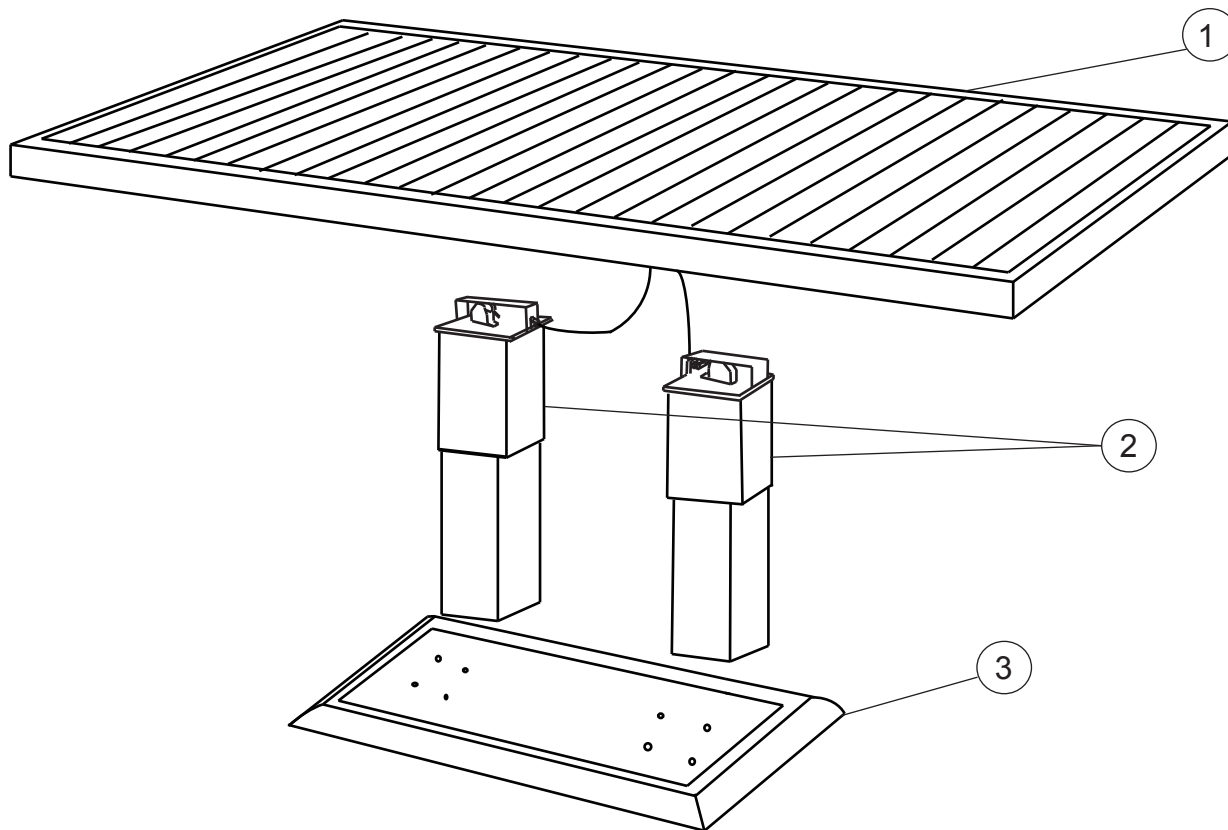
Assembly instructions



Aluminium 150x90 Rectangular Rising Table

Assembly instructions

GETTING TO KNOW YOUR PRODUCT

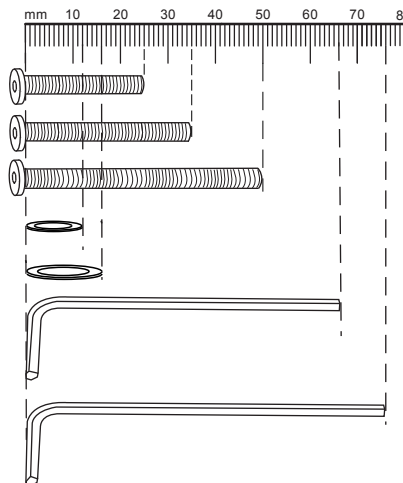


Components supplied. Please use this guide if you require replacement parts.

Fixtures and fittings supplied(actual size)

Ref	Dimensions	Visual	Qty
1	151x90x5 cm		1
2	15x12x45 cm		1
3	72x50x3.5cm		1

Ref	Dimensions	Qty
A	M6x25mm	8
B	M6x35mm	2
C	M8x50mm	8
D	∅12x1.0mm	10
E	∅16X1.0mm	8
F	∅4X66mm	1
G	∅5X76mm	1



Aluminium 150x90 Rectangular Rising Table

Assembly instructions

1

Ax8 M6 x 25mm
Bx2 M6 x 35mm
Dx10 $\varnothing 12 \times 1.0\text{mm}$
Fx1 $\varnothing 4 \times 66\text{mm}$

2

Cx4 M8 x 50mm
Ex6 $\varnothing 16 \times 1.0\text{mm}$
Gx1 $\varnothing 5 \times 76\text{mm}$

3

Press and hold the button as the table rises

4

Press the button as the table descends and press down with your hand on the center of the table as shown