



SQUARE LUXURY BARBECUE GRILL

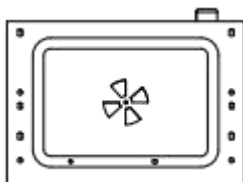
SAFETY & WARNINGS

- The barbecue shall be heated up and the fuel kept red hot for at least 30 min prior to the first cooking.
- Do not cook before the fuel has a coating of ash.
- WARNING! This barbecue will become very hot, do not move it during operation.
- Do not use indoors!
- WARNING! Do not use spirit or petrol for lighting or re-lighting!
- WARNING! Keep children and pets away.

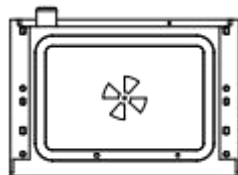
COMPONENTS



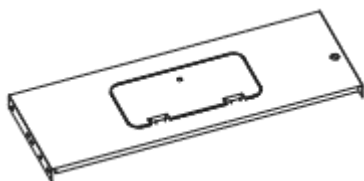
1: (x1)



2: (x1)



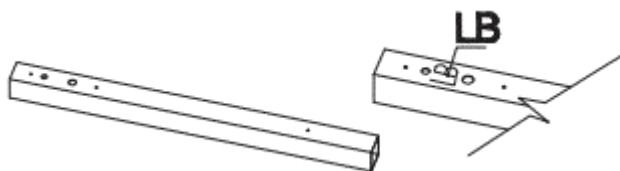
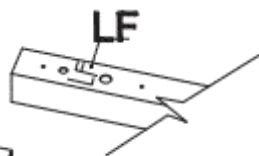
3: (x1)



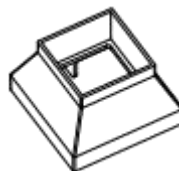
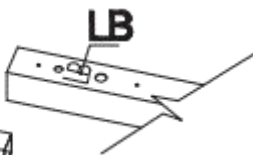
4: (x1)



5: (x1)



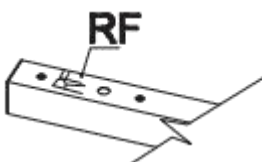
6: (x1)

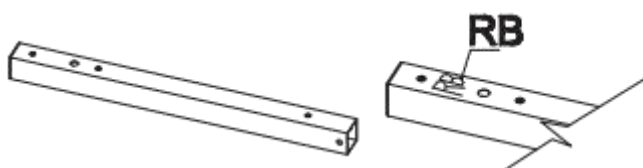


7: (x2)



8: (x1)





9: (x1)



10: (x1)



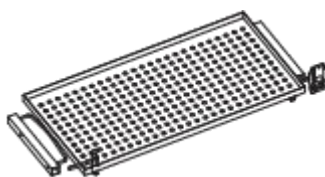
11: (x1)



12: (x2)



13: (x2)



14: (x1)



15: (x1)



16: (x1)



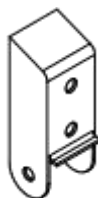
17: (x1)



18: (x1)



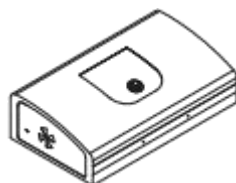
19: (x4)



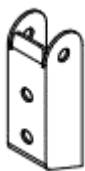
20: (x2)



21: (x1)



22: (x1)



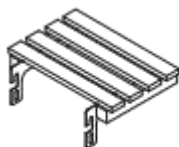
23: (x2)



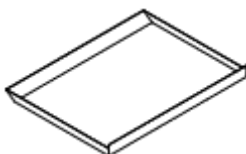
24: (x1)



25: (x4)



26: (x2)



27: (x1)



28: (x1)



29: (x1)



30: (x3)



A: (x21)
M6 x 12



B: (x4)
M6 x 35



C: (x4)
M6 x 45



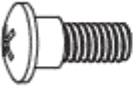
D: (x8)
M6 x 15





E: (x4)
M5 x 16

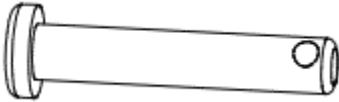
F: (x2)
M5 x 28



G: (x8)
M6

H: (x9)
M6

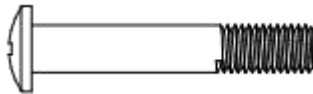
I: (x2)
M10



J: (x2)

K: (x3)

L: (x13)
D6



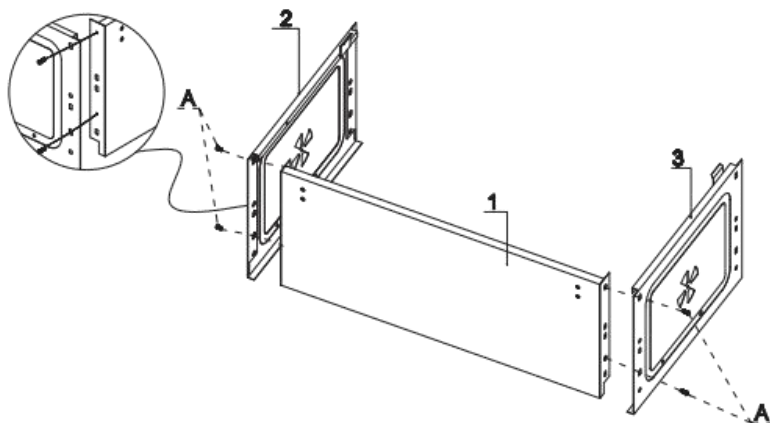
M: (x13)
D6

N: (x1)
M5 x 28

INSTALLATION

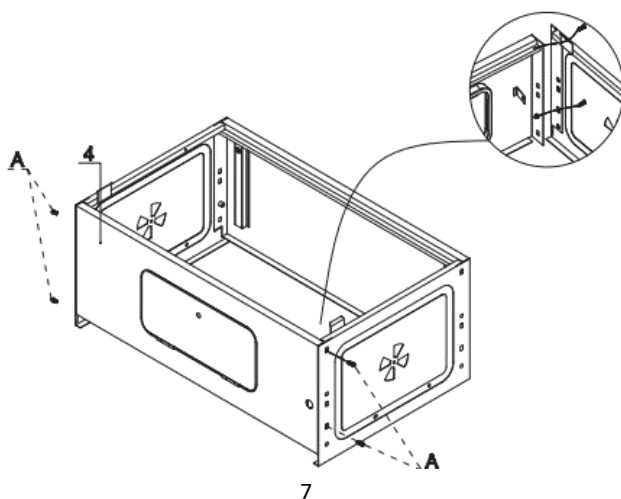
Step 1

Attach 2 and 3 to 1 with A.



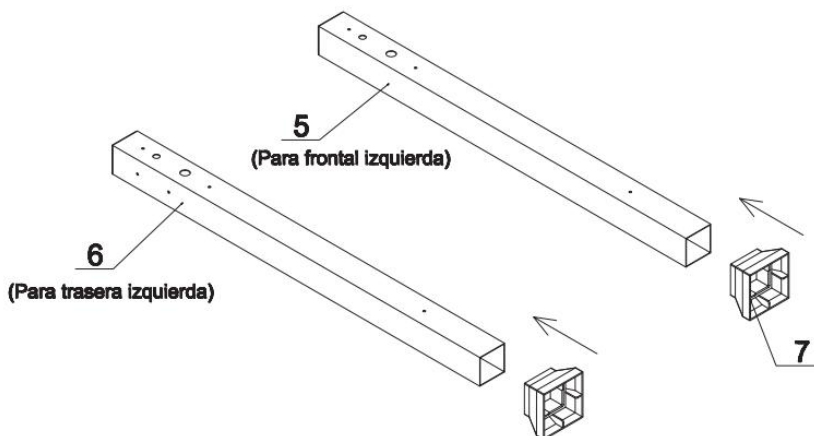
Step 2

Attach 4 to the assembled part of step 1 with A.



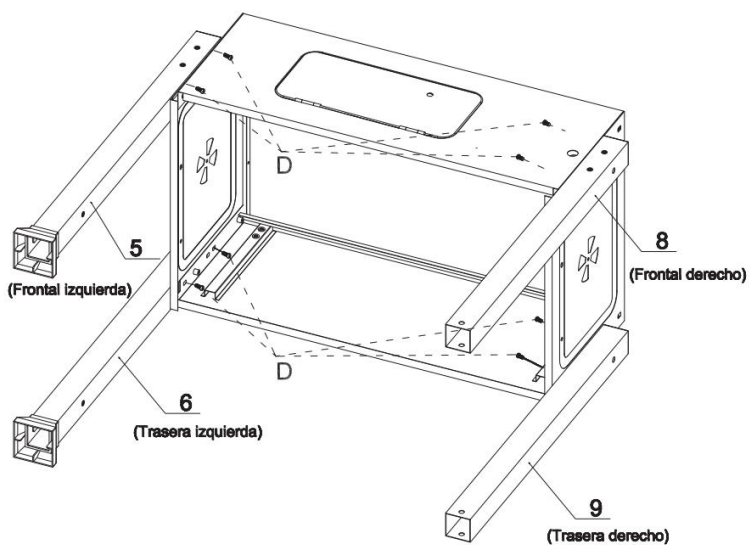
Step 3

Attach 7 to 5 and 6 respectively as shown.



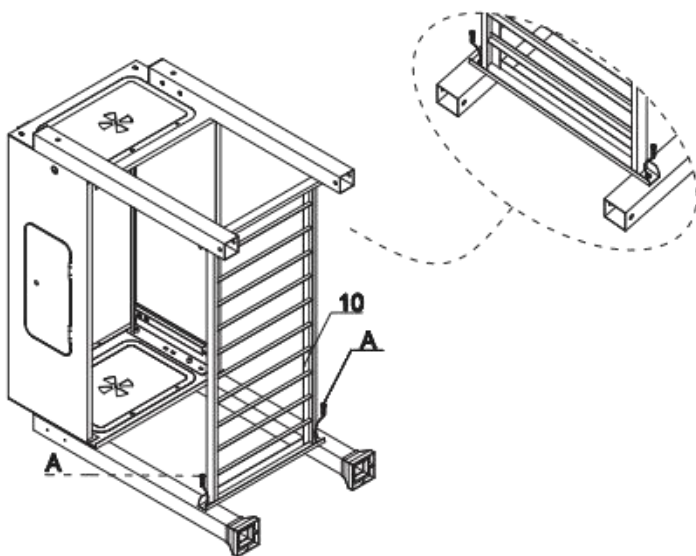
Step 4

Attach 5, 6, 8 and 9 to the assembled part of step 2 with D.



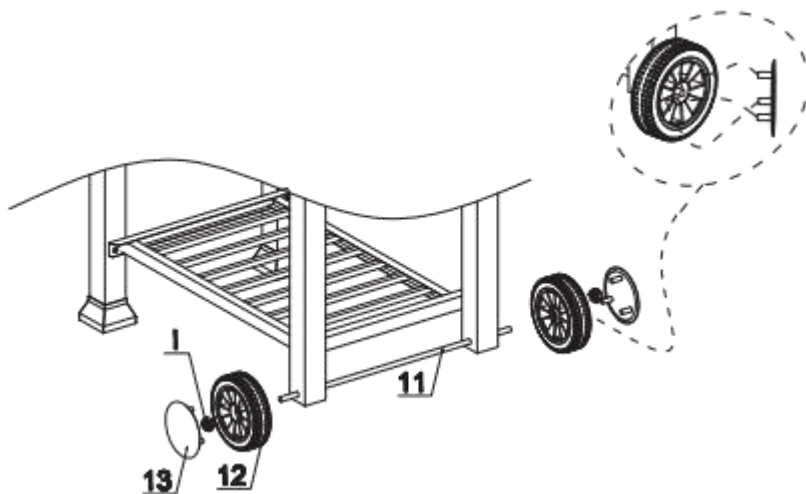
Step 5

Attach 10 to the bottom of BBQ grill with A as shown.



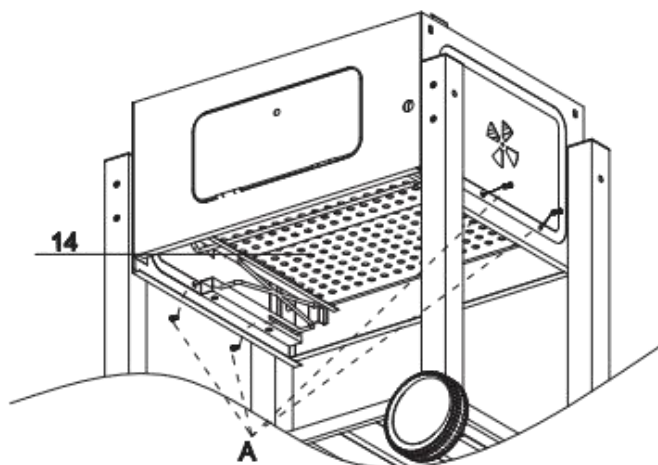
Step 6

Attach 12 to legs (8 and 9) with 11. Then attach 13 to 12 as shown in the picture.



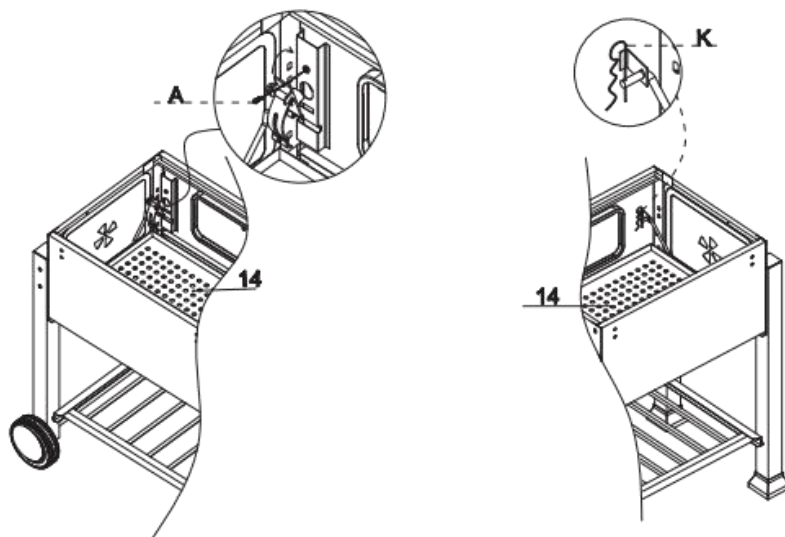
Step 7

Attach 14 to the corresponding position of the grill with A.



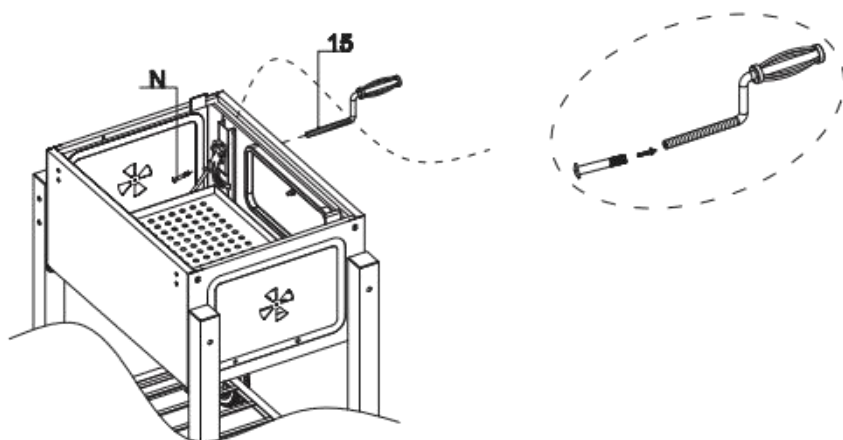
Step 8

Tighten 14 to the BBQ grill with A and K as shown.



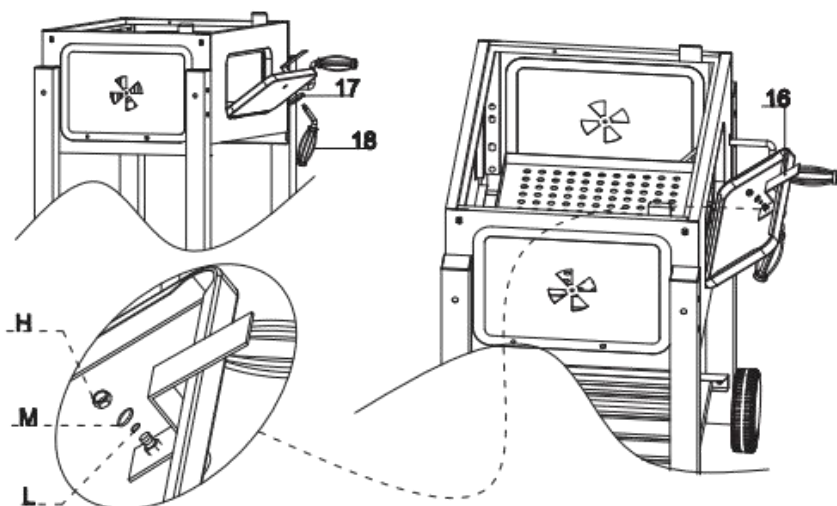
Step 9

Attach 15 to the BBQ grill with N.



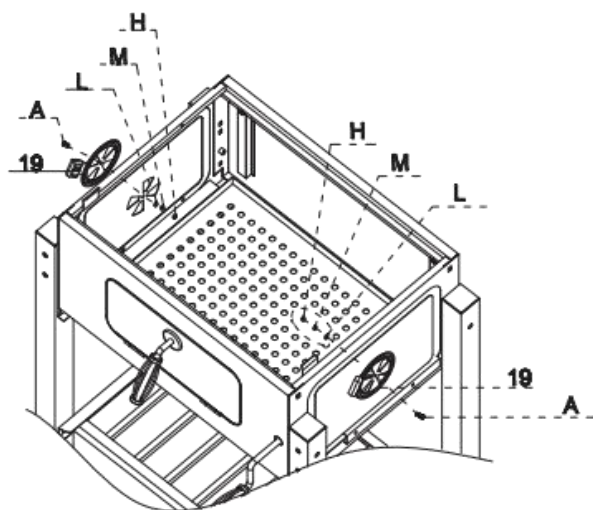
Step 10

Attach 18 to 16 with 17, then tighten them on the other side with H, M and L as shown in the picture.



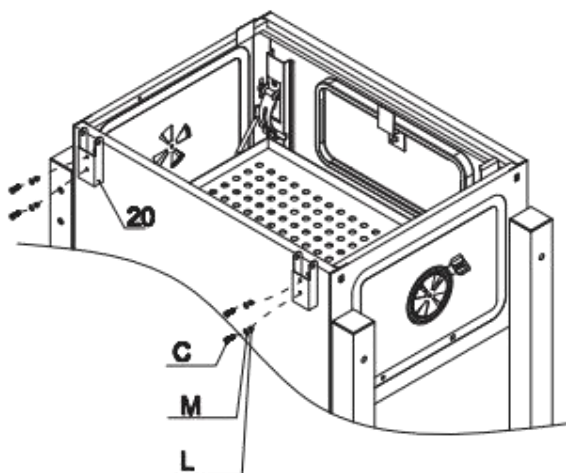
Step 11

Attach 19 to the sides of the BBQ grill with H, M, L and A.



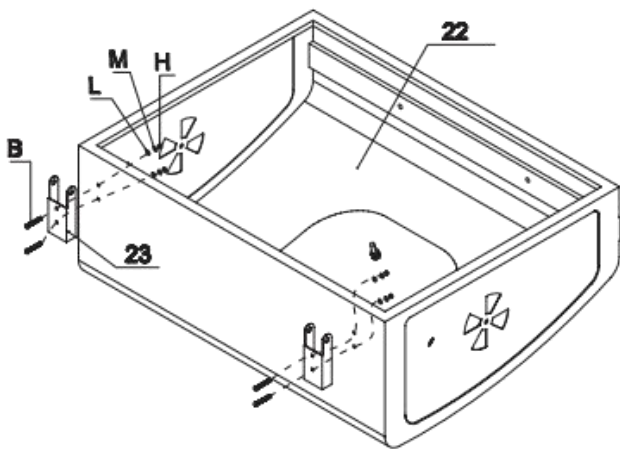
Step 12

Attach 20 to the back of the BBQ grill with C, M and L.



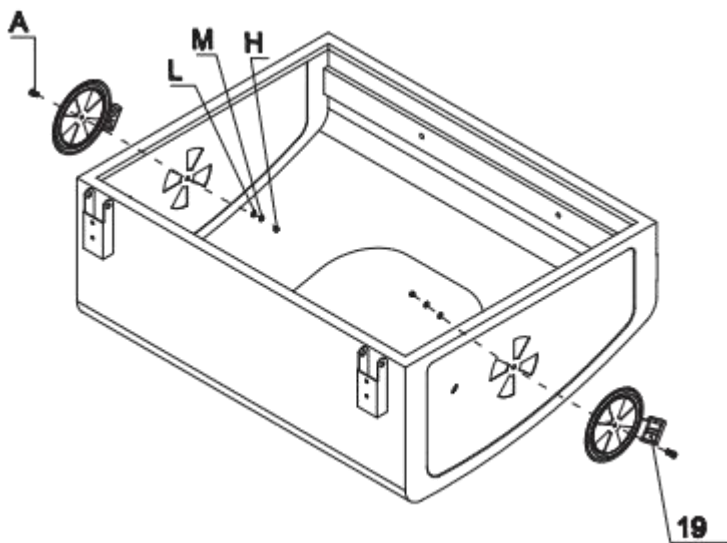
Step 13

Attach 23 to 22 with H, M, L and B as shown.



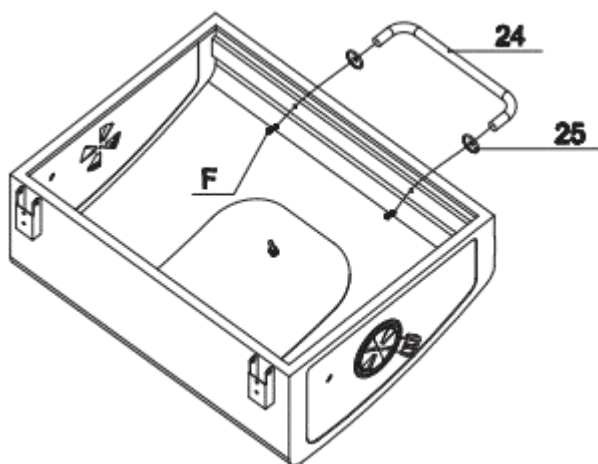
Step 14

Attach 19 to the sides of 22 with H, M, L and A.



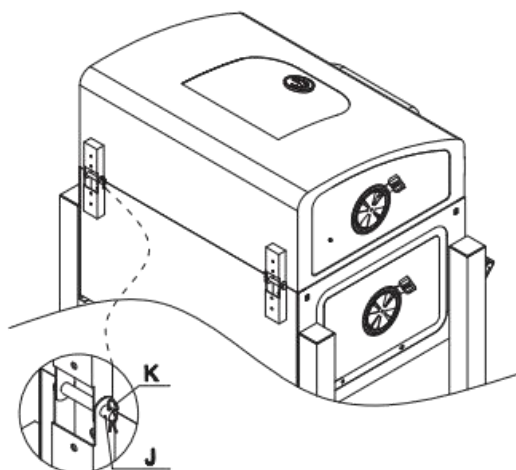
Step 15

Attach 24 to 22 with 25 and F.



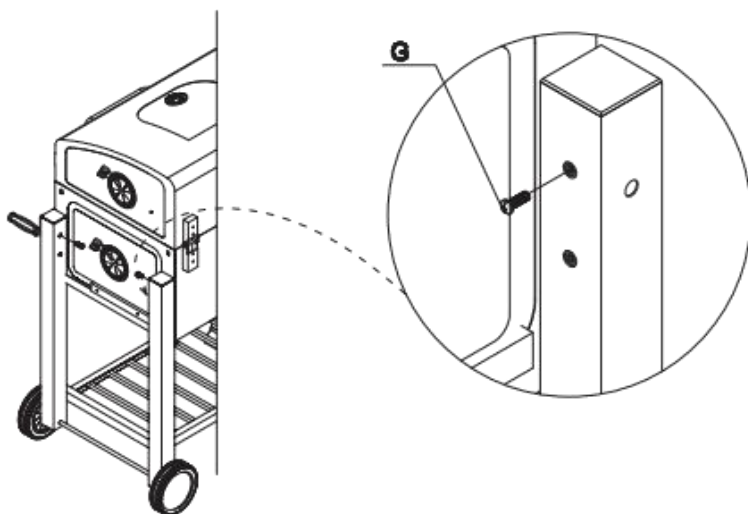
Step 16

Attach the assembled part of 15 to the assembled part of 12 with K and J as shown.



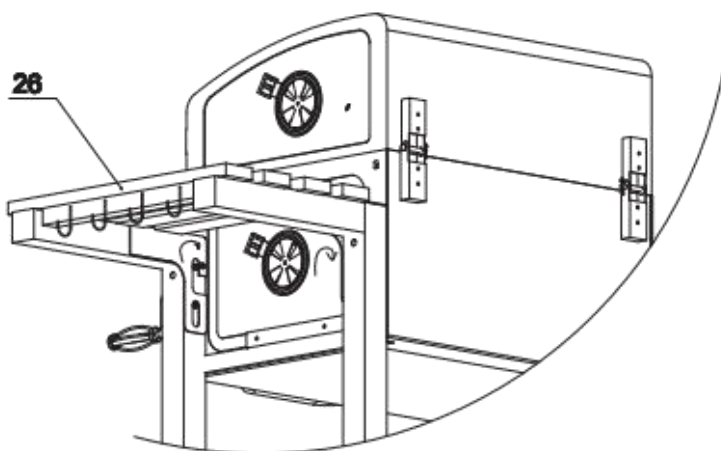
Step 17

Insert G to the corresponding position as shown in the figure.



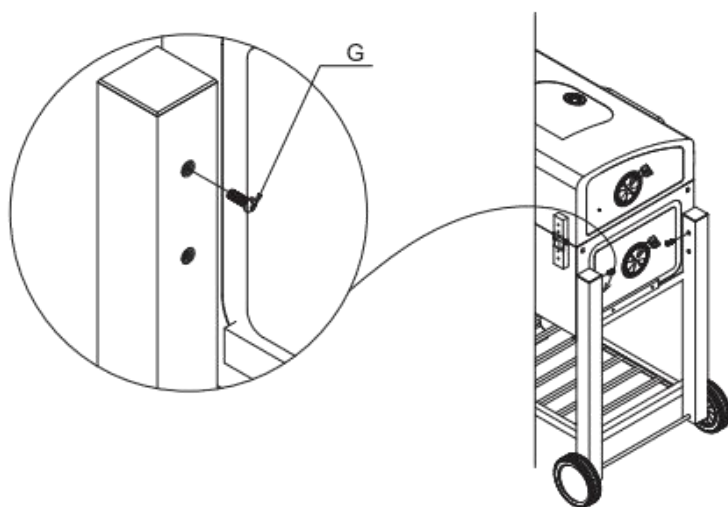
Step 18

Attach 26 to the side of the BBQ grill as shown.



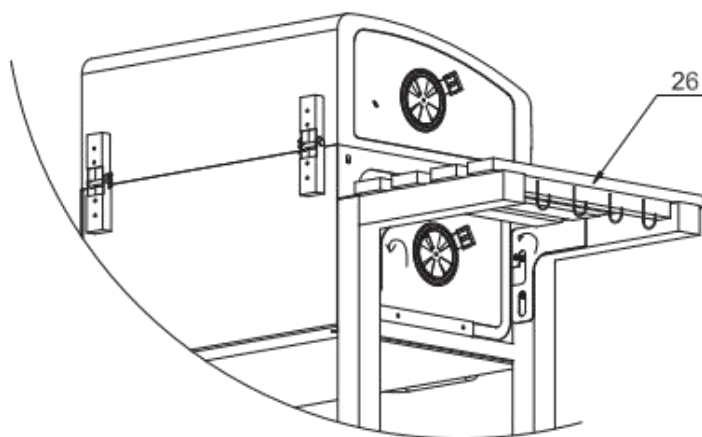
Step 19

Insert G to the corresponding position as shown in the figure.



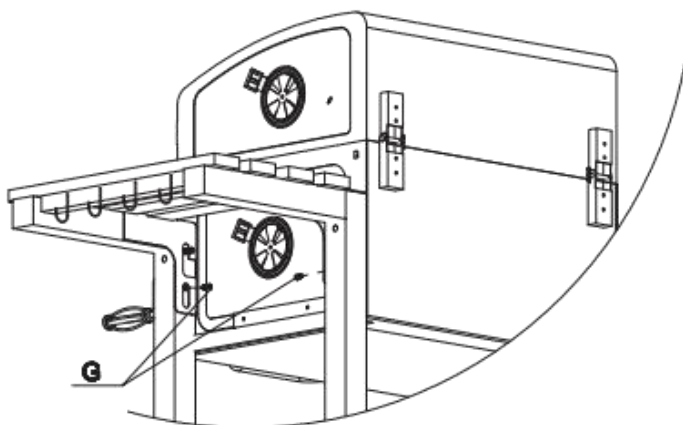
Step 20

Attach 26 to another side of the BBQ grill as shown.



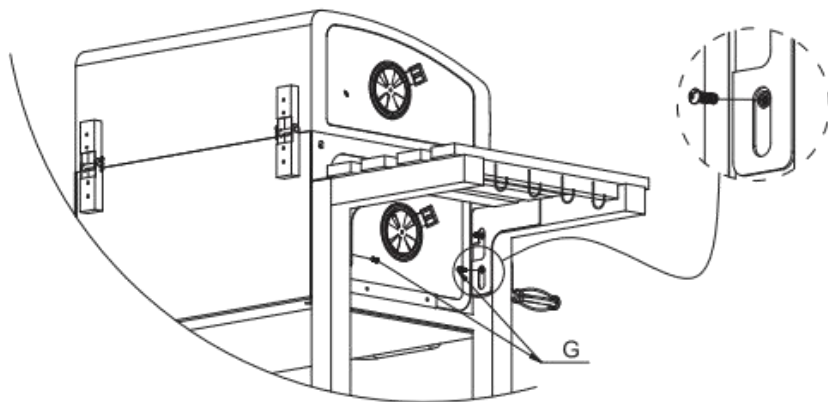
Step 21

Tighten 26 to the BBQ grill with G.



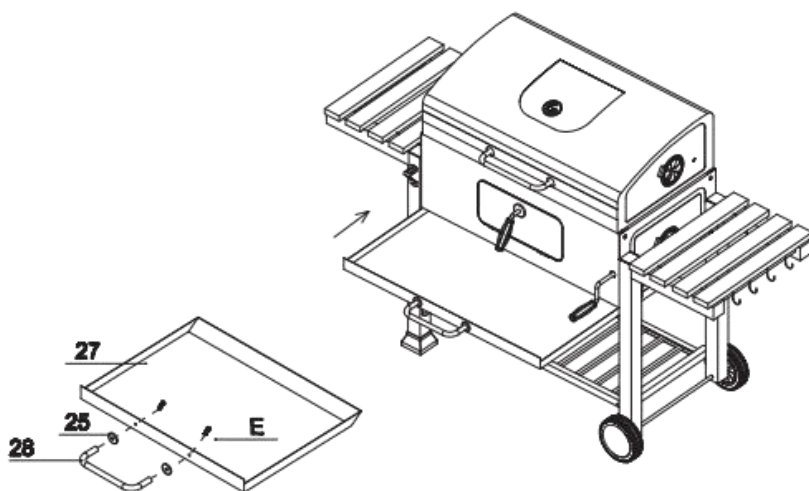
Step 22

Repeat step 21, tighten another 26 to the BBQ grill with G.



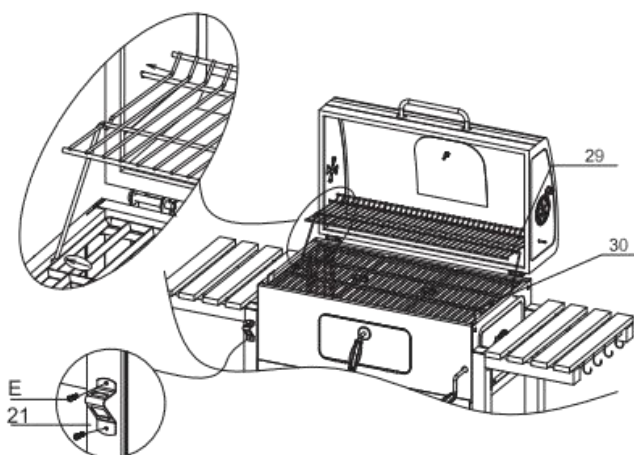
Step 23

Attach 28 to 27 with 25 and E, then place it to the corresponding position as shown in the figure.



Step 24

Attach 29 and 30 to the BBQ grill. Attach 21 to the corresponding position with E as shown.



CLEANING & CARE

- To ensure safe and proper maintenance, we recommend you follow these directions carefully.
- Clean internal parts of the grill regularly as determined by the amount of use and foods cooked. The entire grill should be cleaned at least once a year.
- In addition, keep the area around your grill or cart clear and free from combustible materials, gasoline, and other flammable vapors and liquids.
- Do not obstruct the flow of combustion and ventilation air.