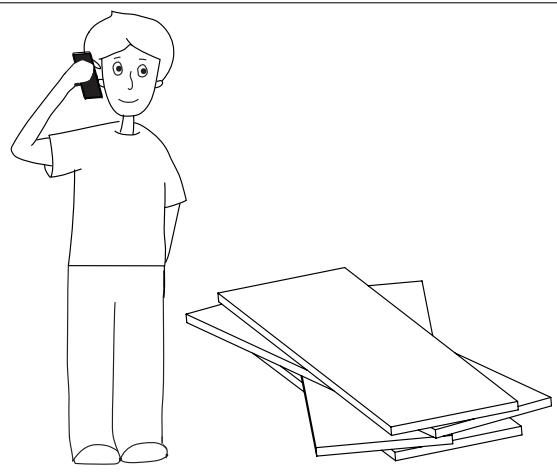
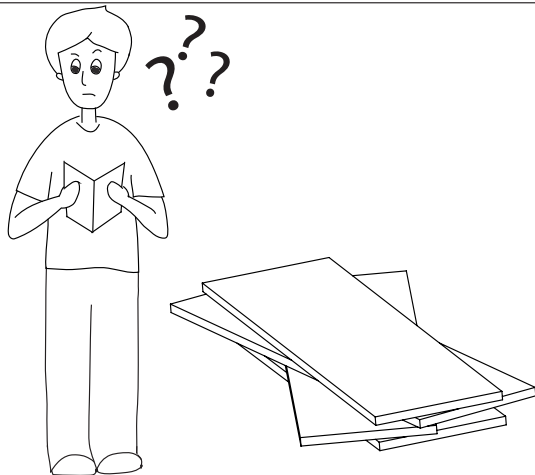
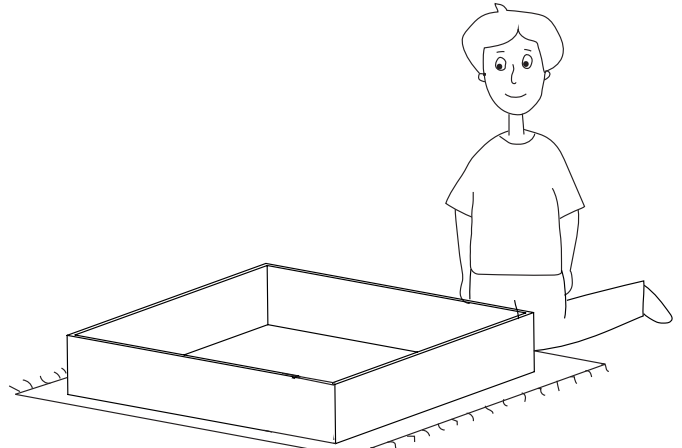
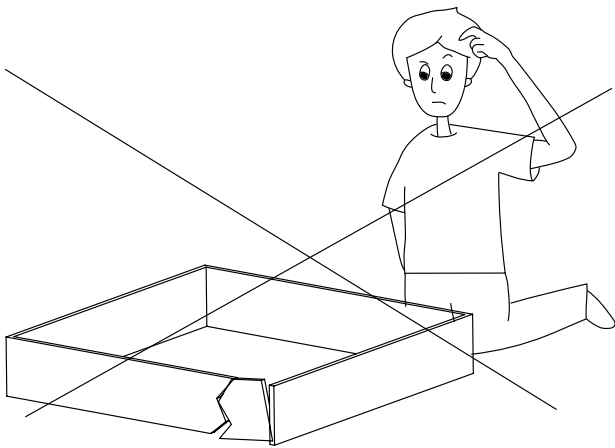
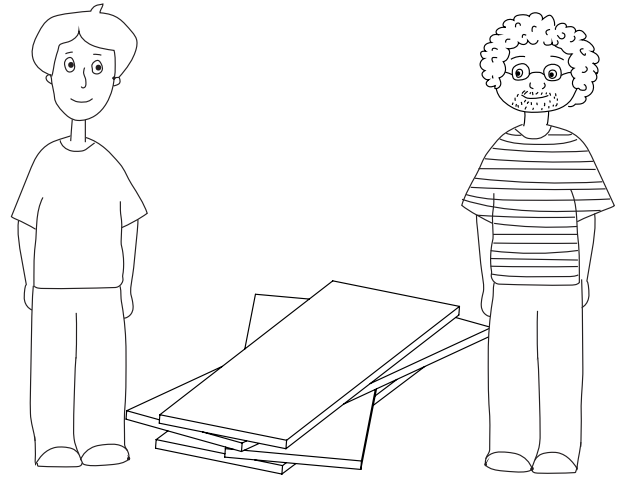
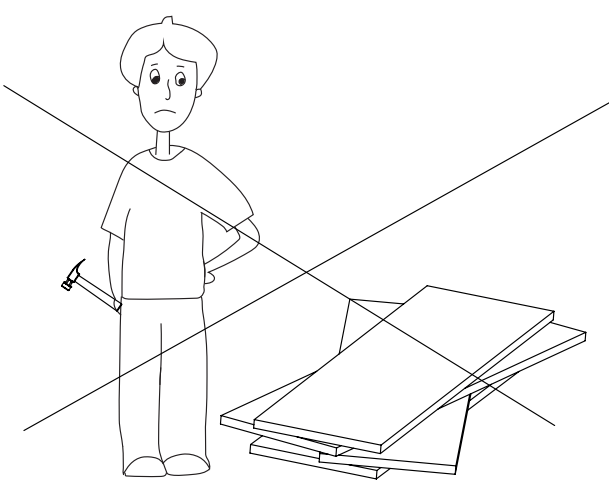
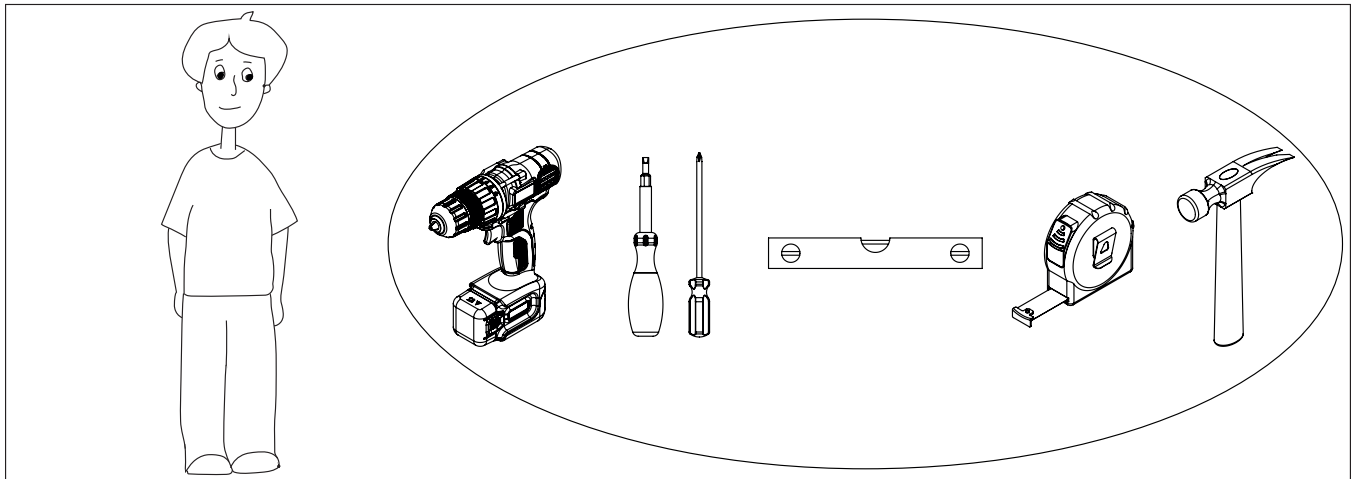


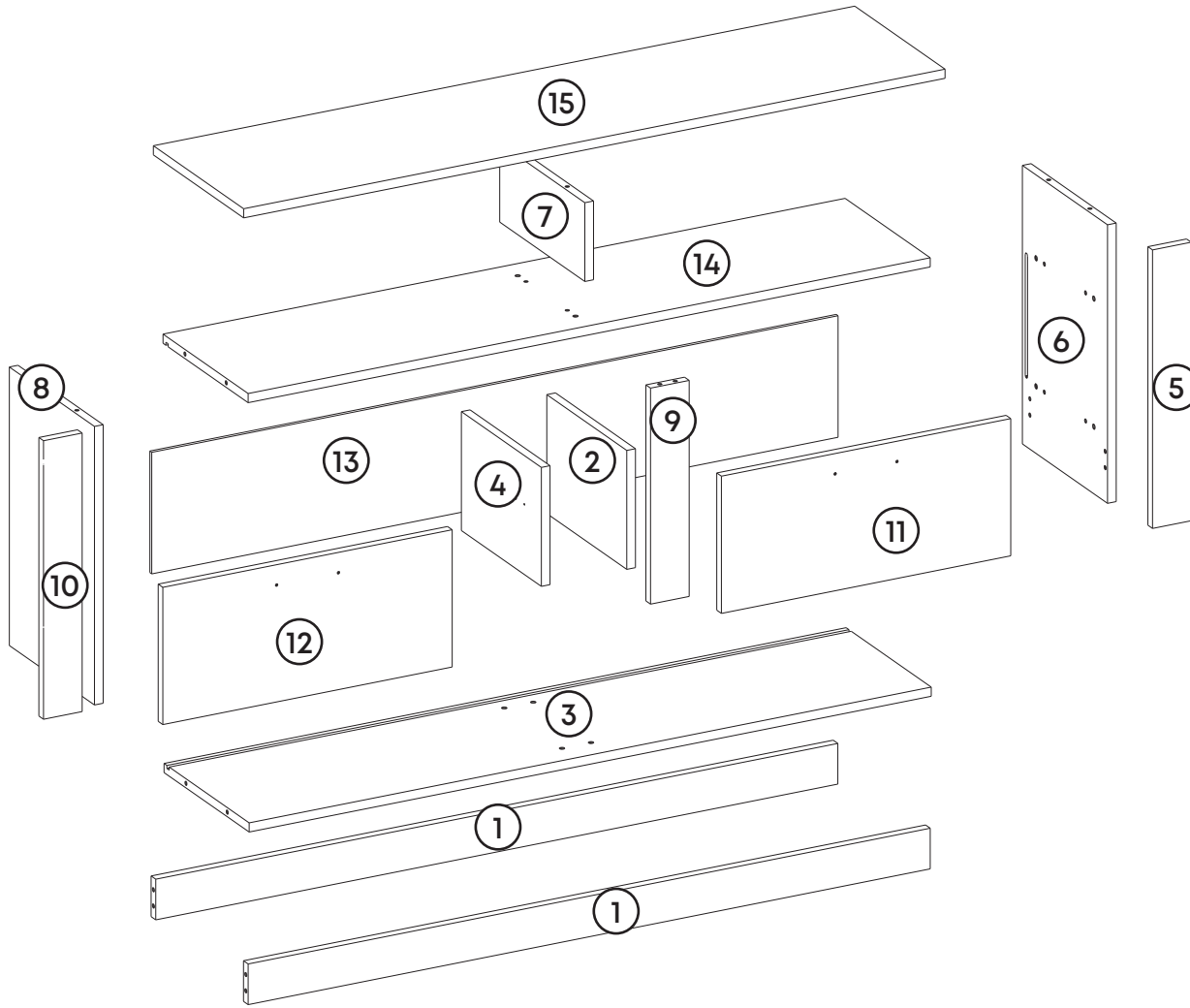
Assembly guide

Prepare To Start

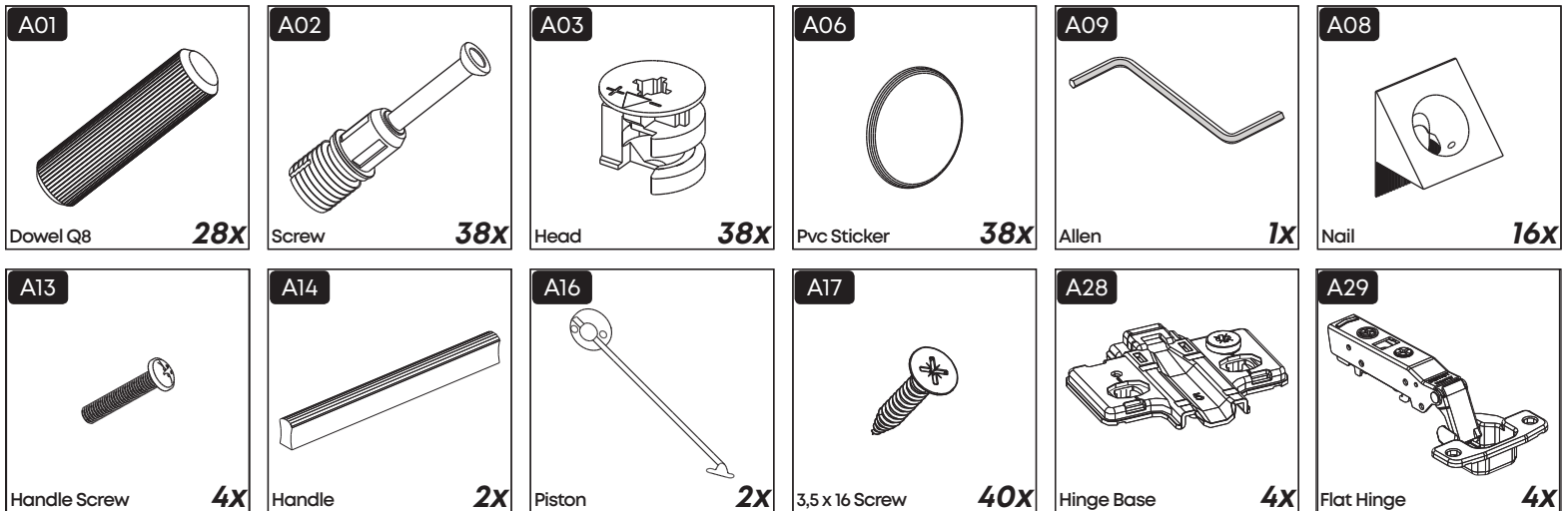


Components

Part1	2x
Part2	1x
Part3	1x
Part4	1x
Part5	1x
Part6	1x
Part7	1x
Part8	1x
Part9	1x
Part10	1x
Part11	1x
Part12	1x
Part13	1x
Part14	1x
Part15	1x
Total	16x

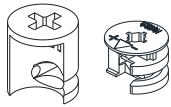


Accessory Parts

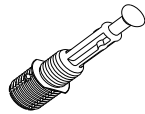


How to instal Components

*Before starting, please check the below figures



HEAD

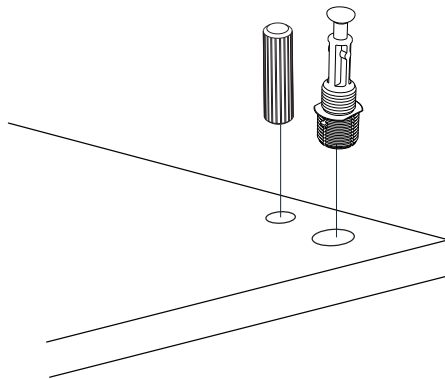


SCREW

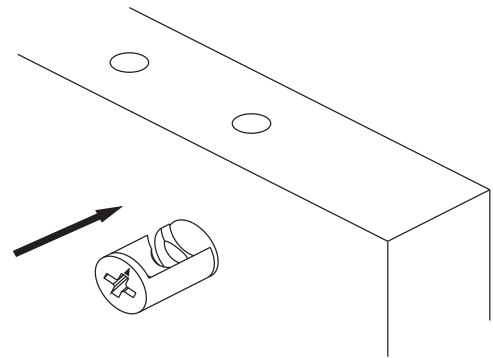


DOWEL

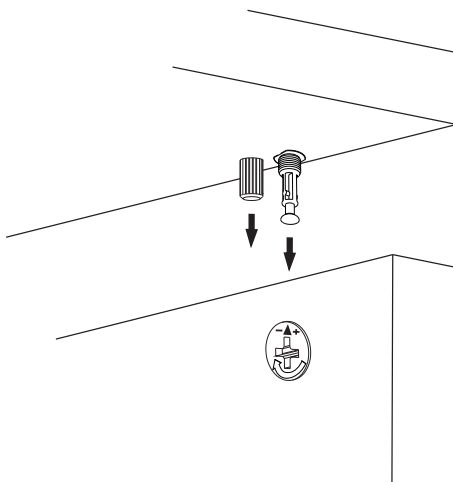
If the dowel is not required during the installation phase, it is not included in the package.



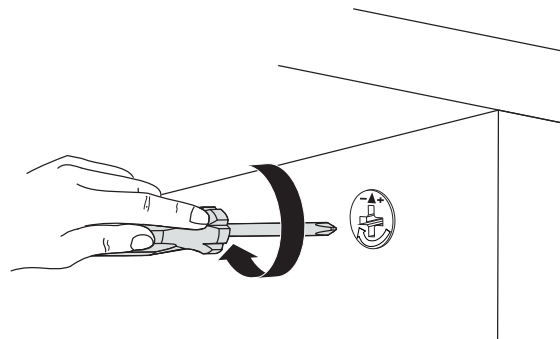
*Please notice that there is an small arrow on A03 (head). This arrow should show the direction of upper hole.

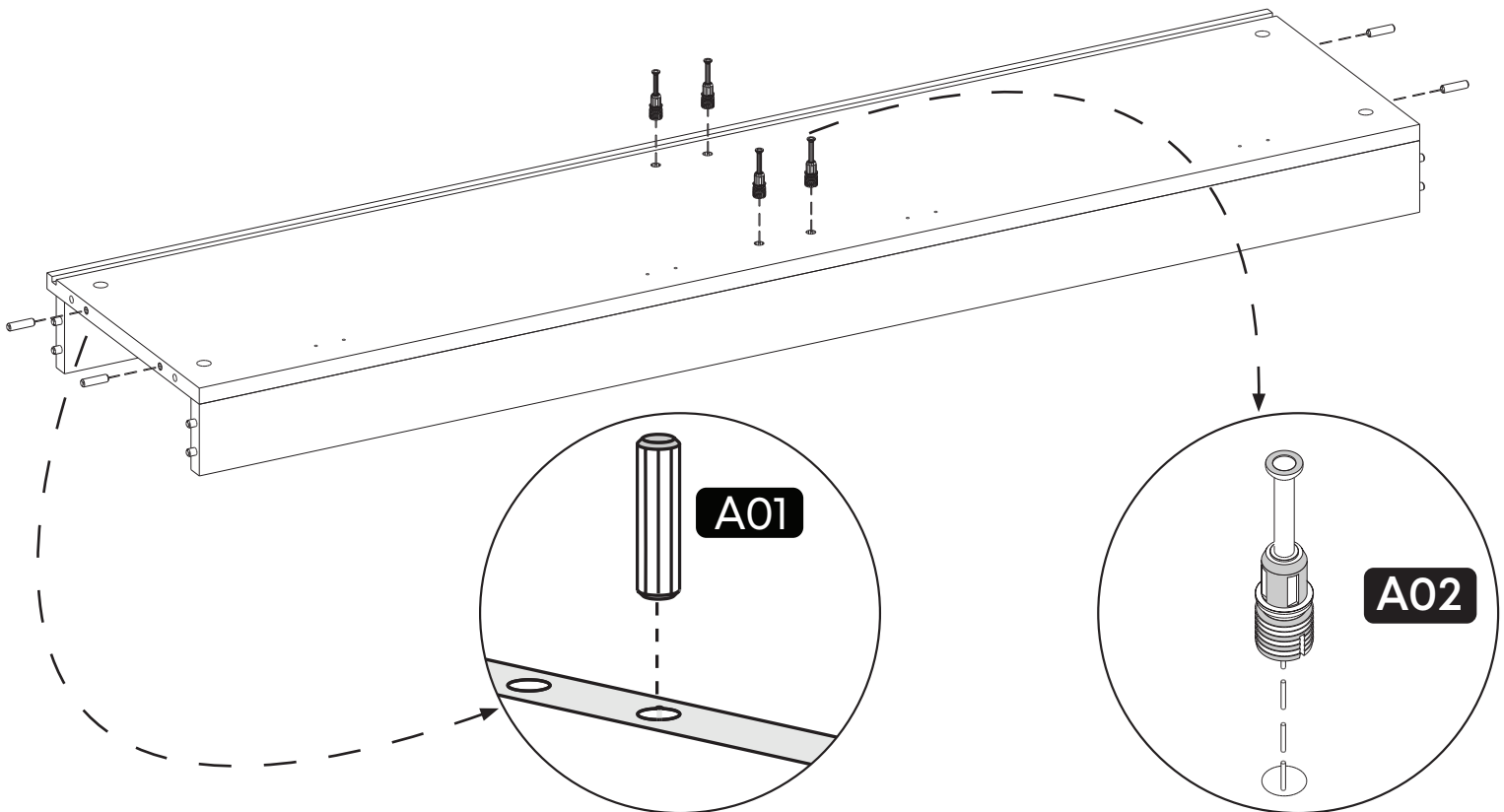
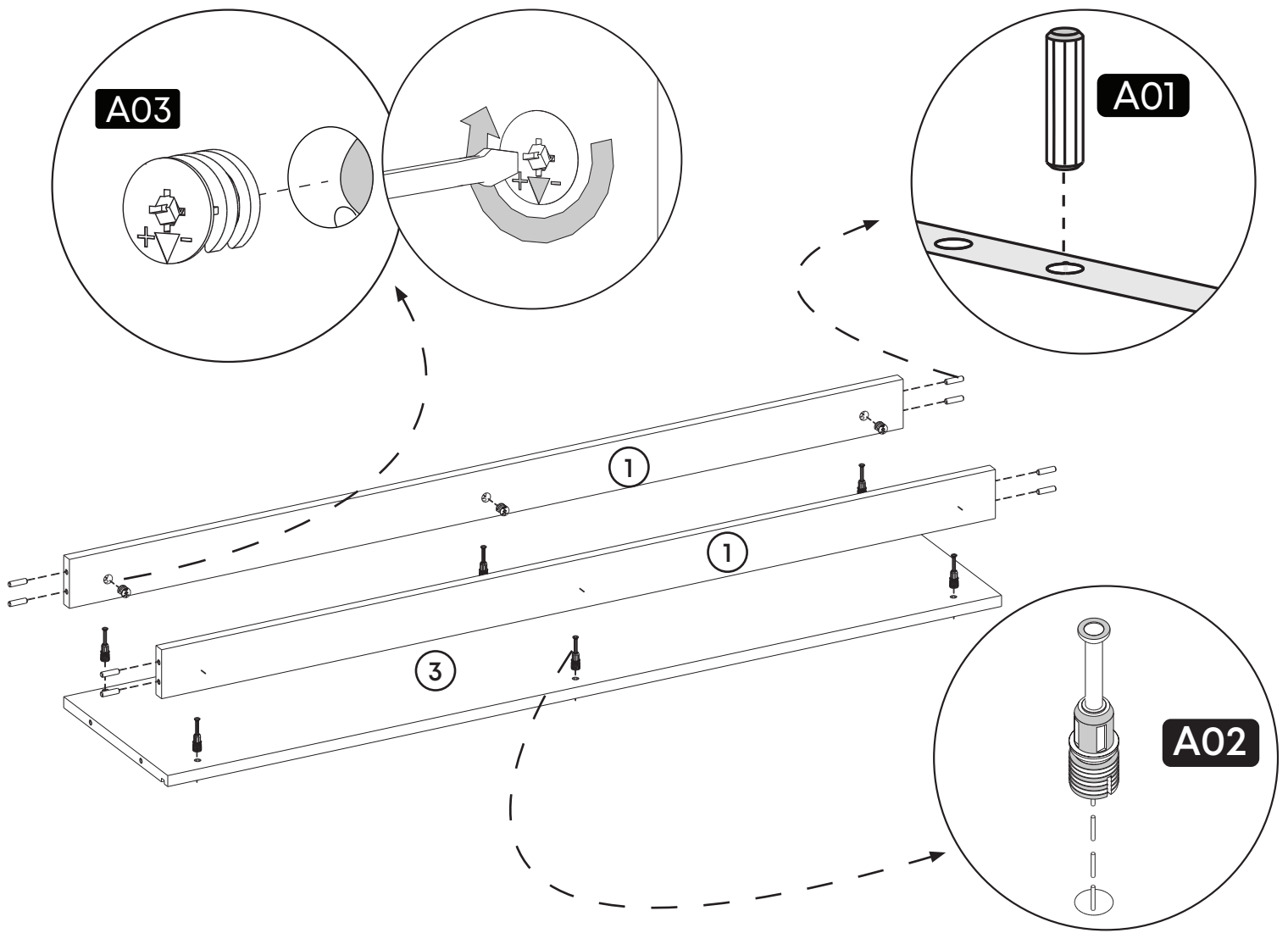


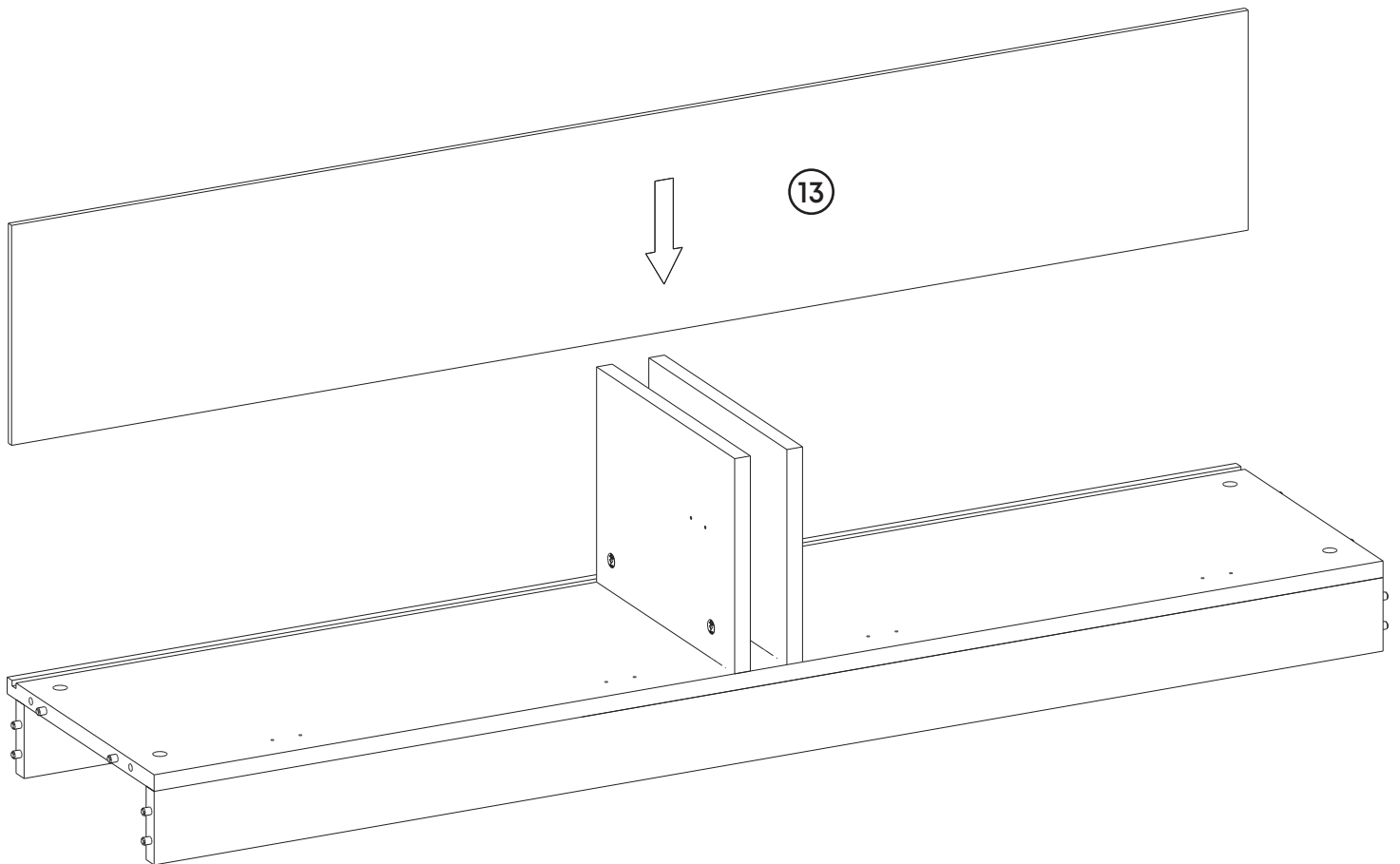
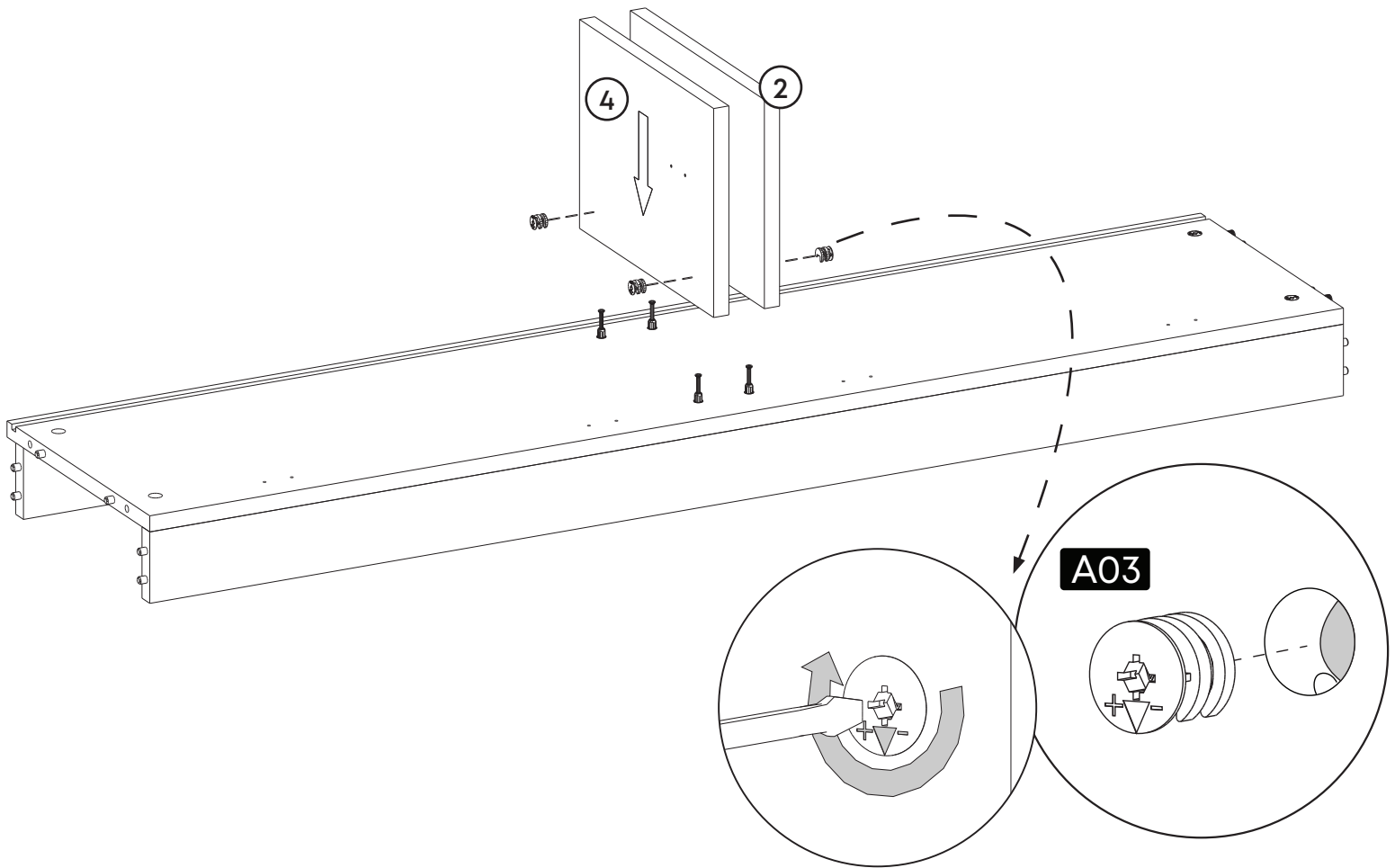
*After attaching two pieces please turn the A03 (head) clockwise direction with the help of a screwdriver.

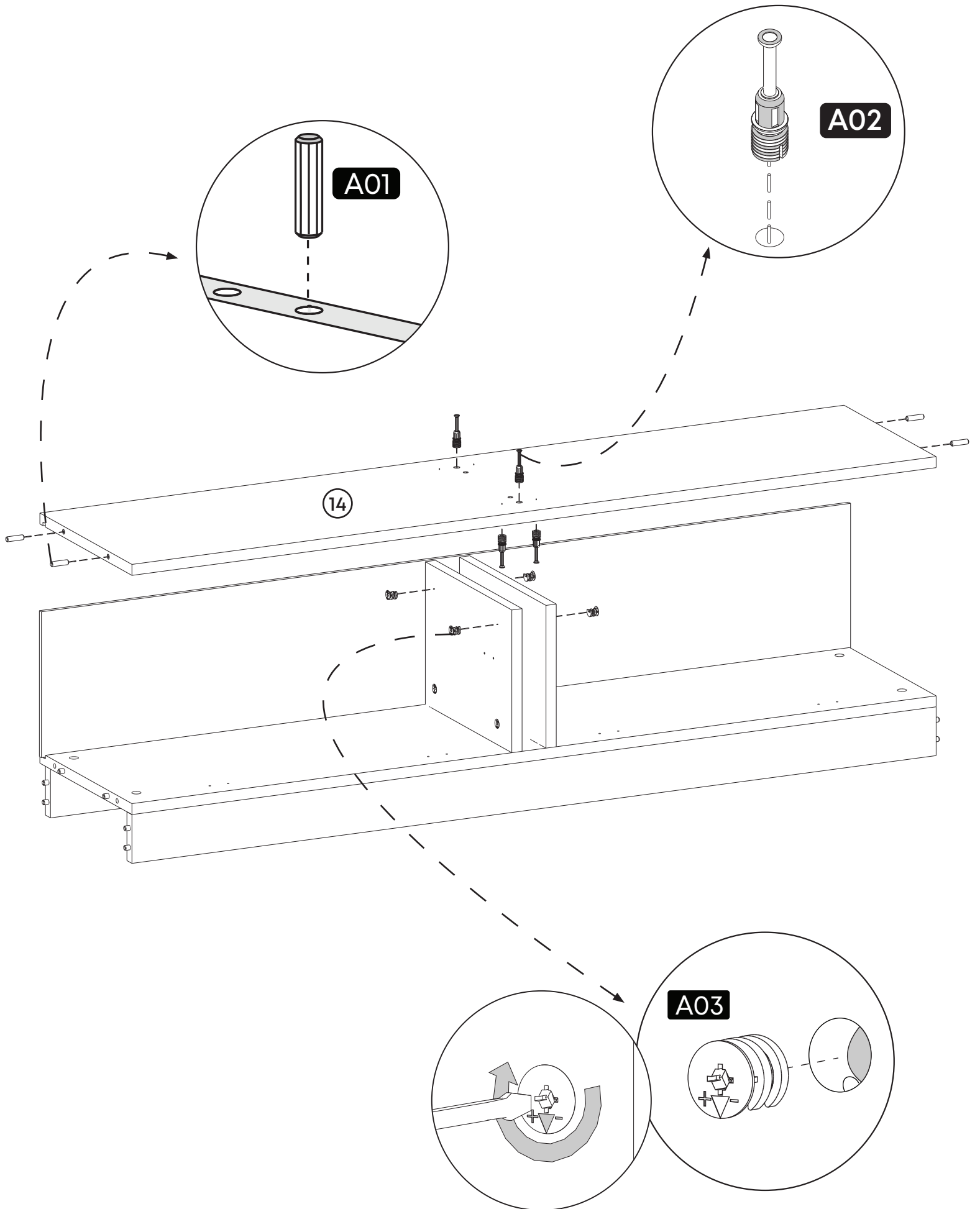


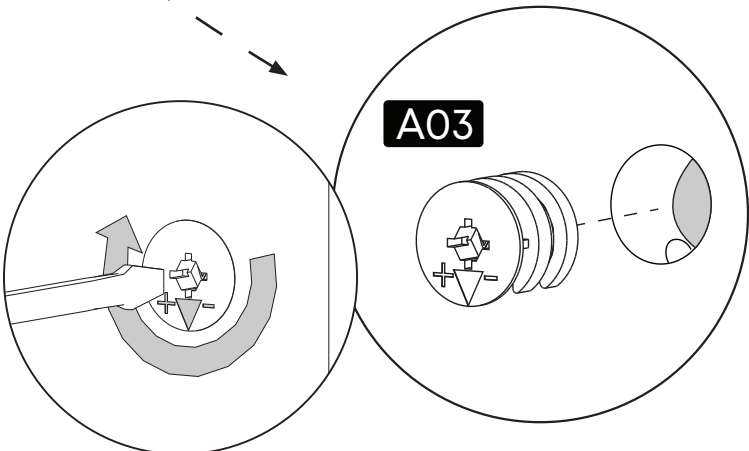
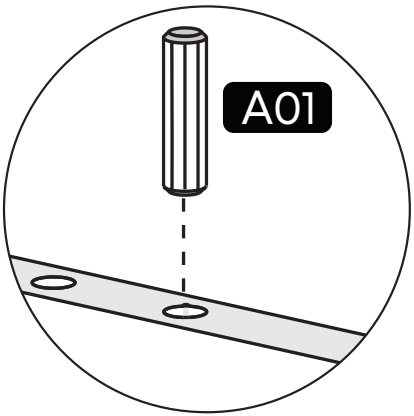
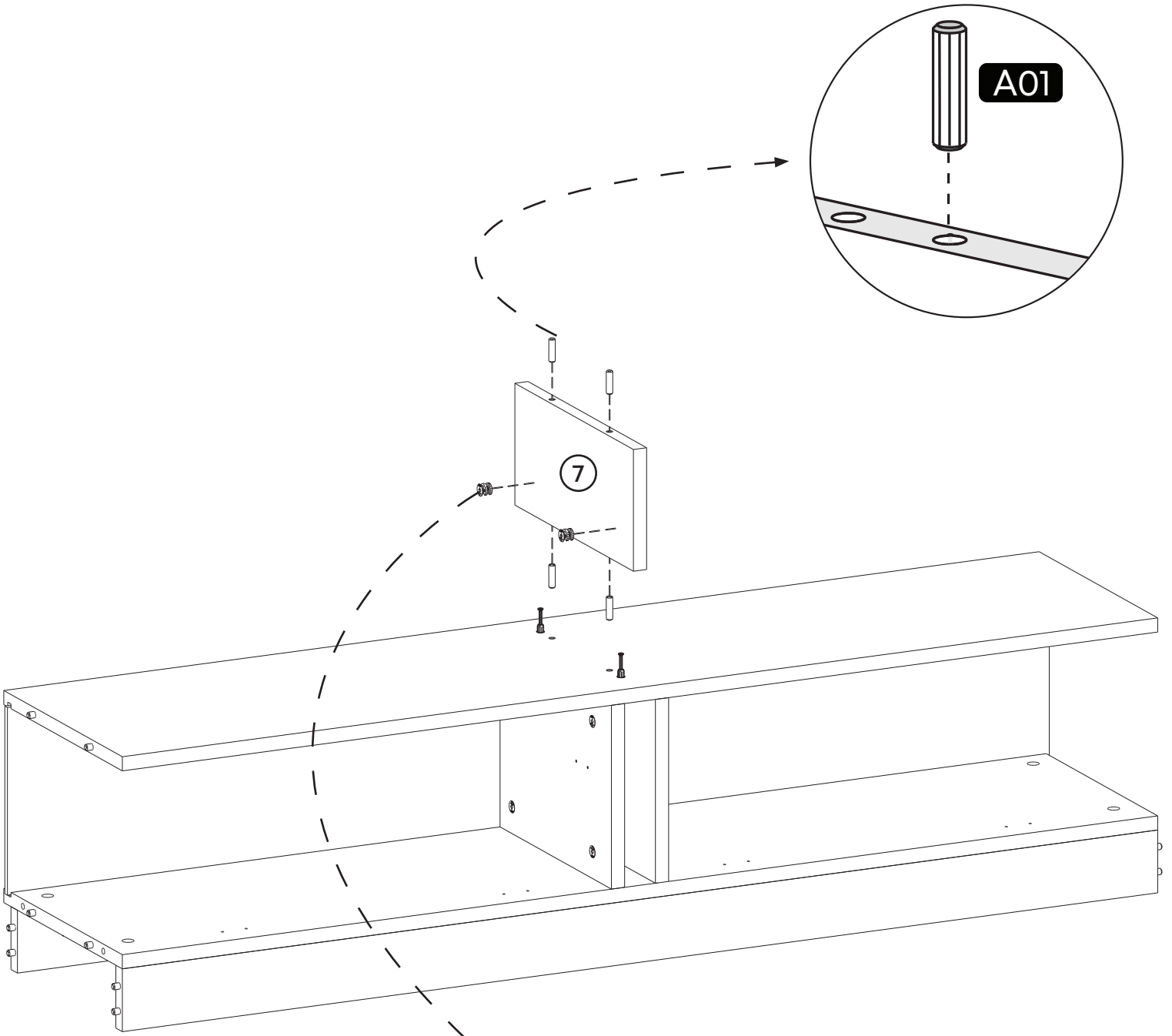
*Please do not over screw the head since it may be broken if too much power is imposed. Just make sure that it is screwed to the direction "+" do not go any further.

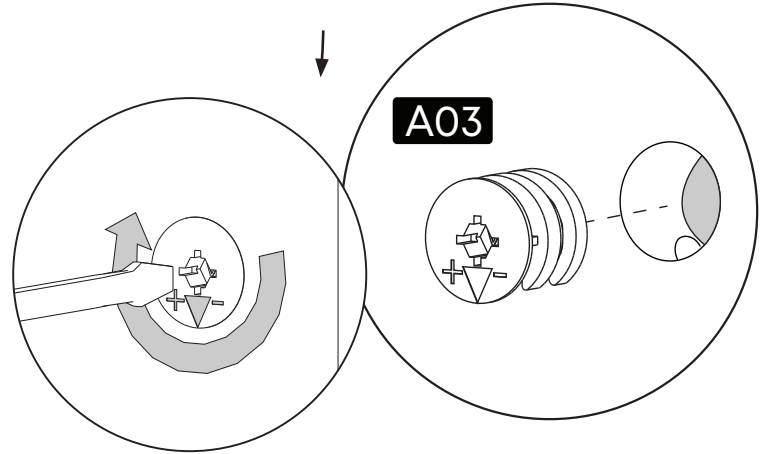
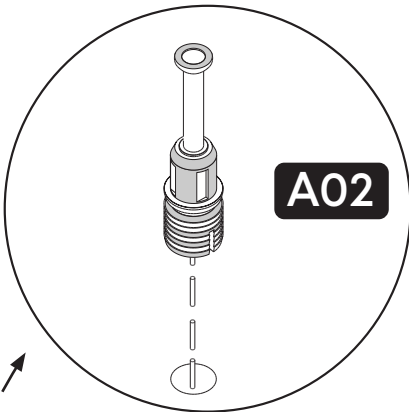
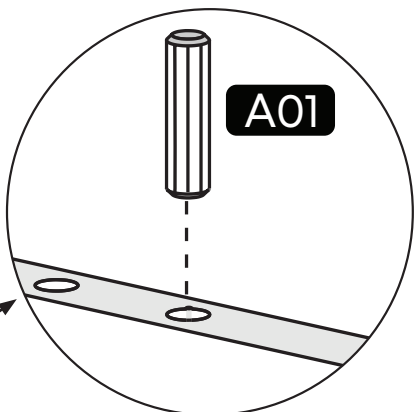
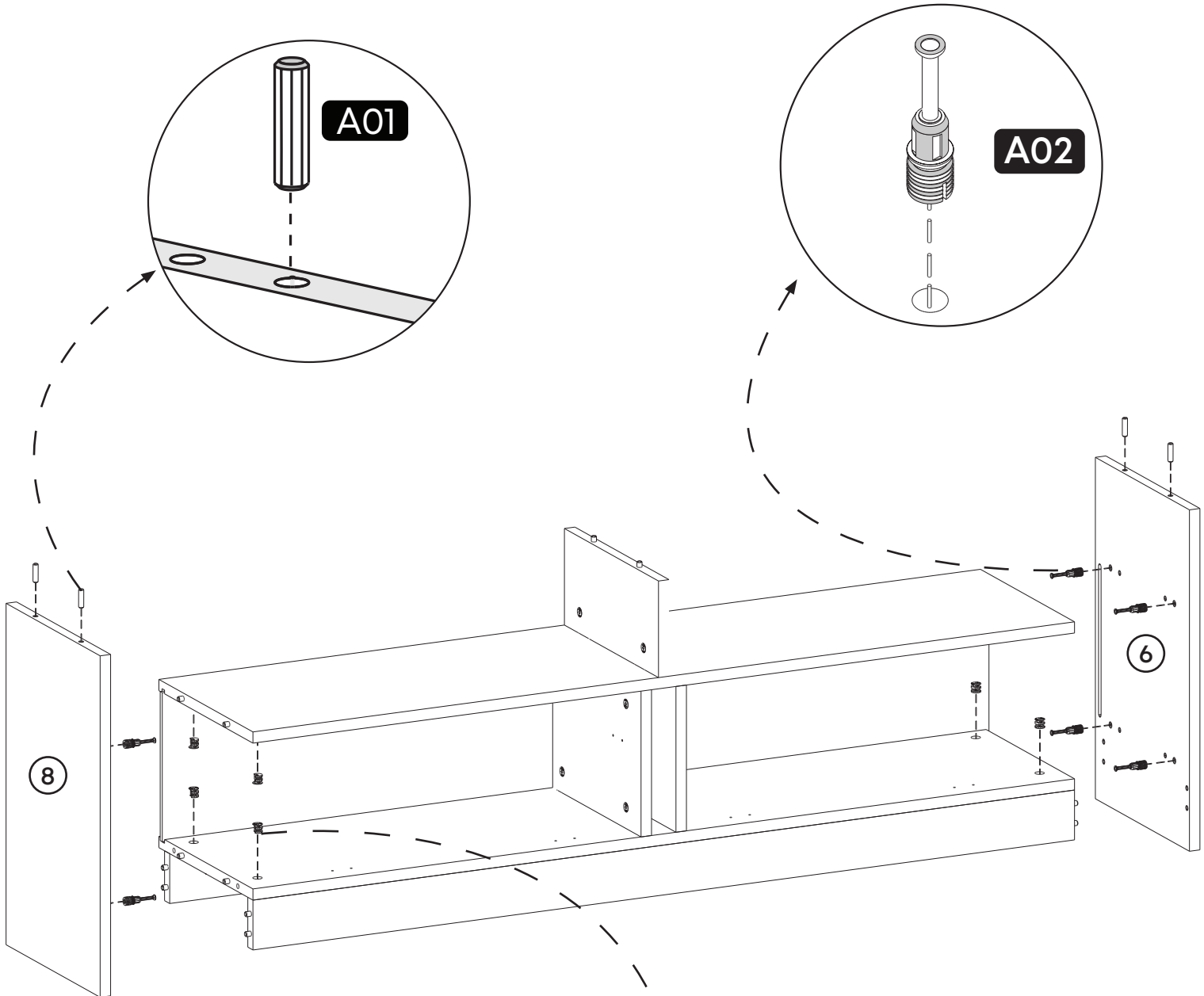


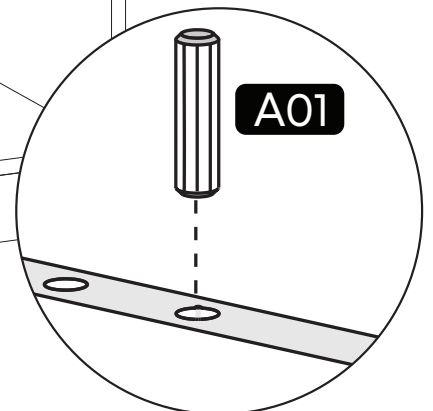
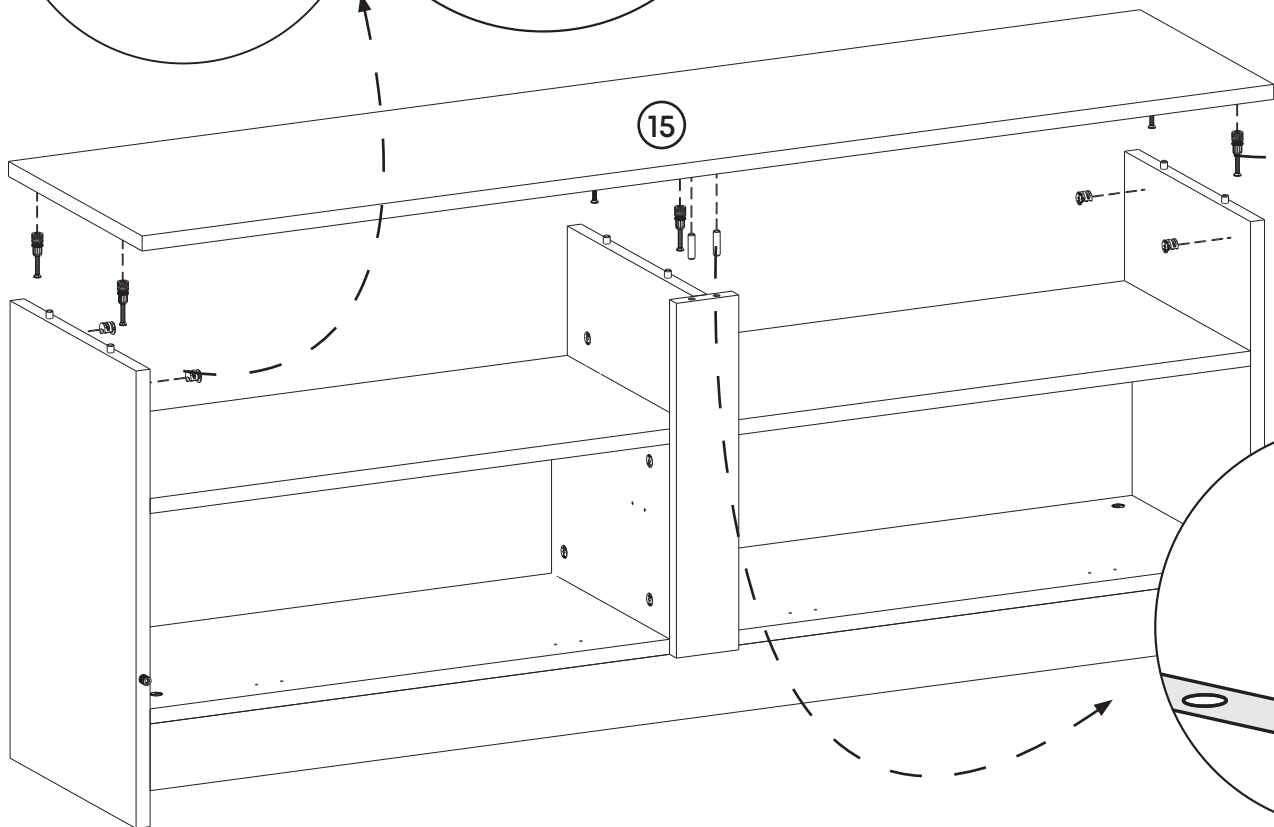
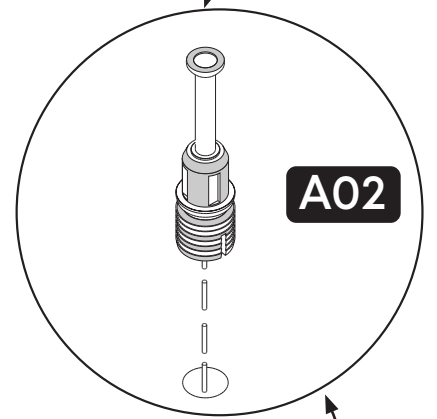
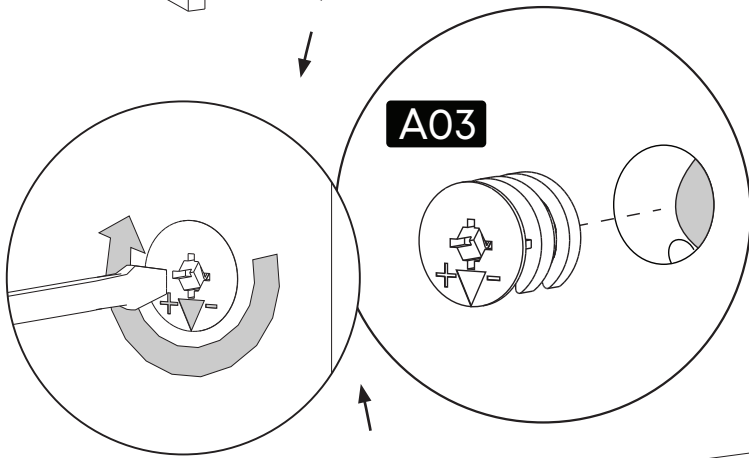
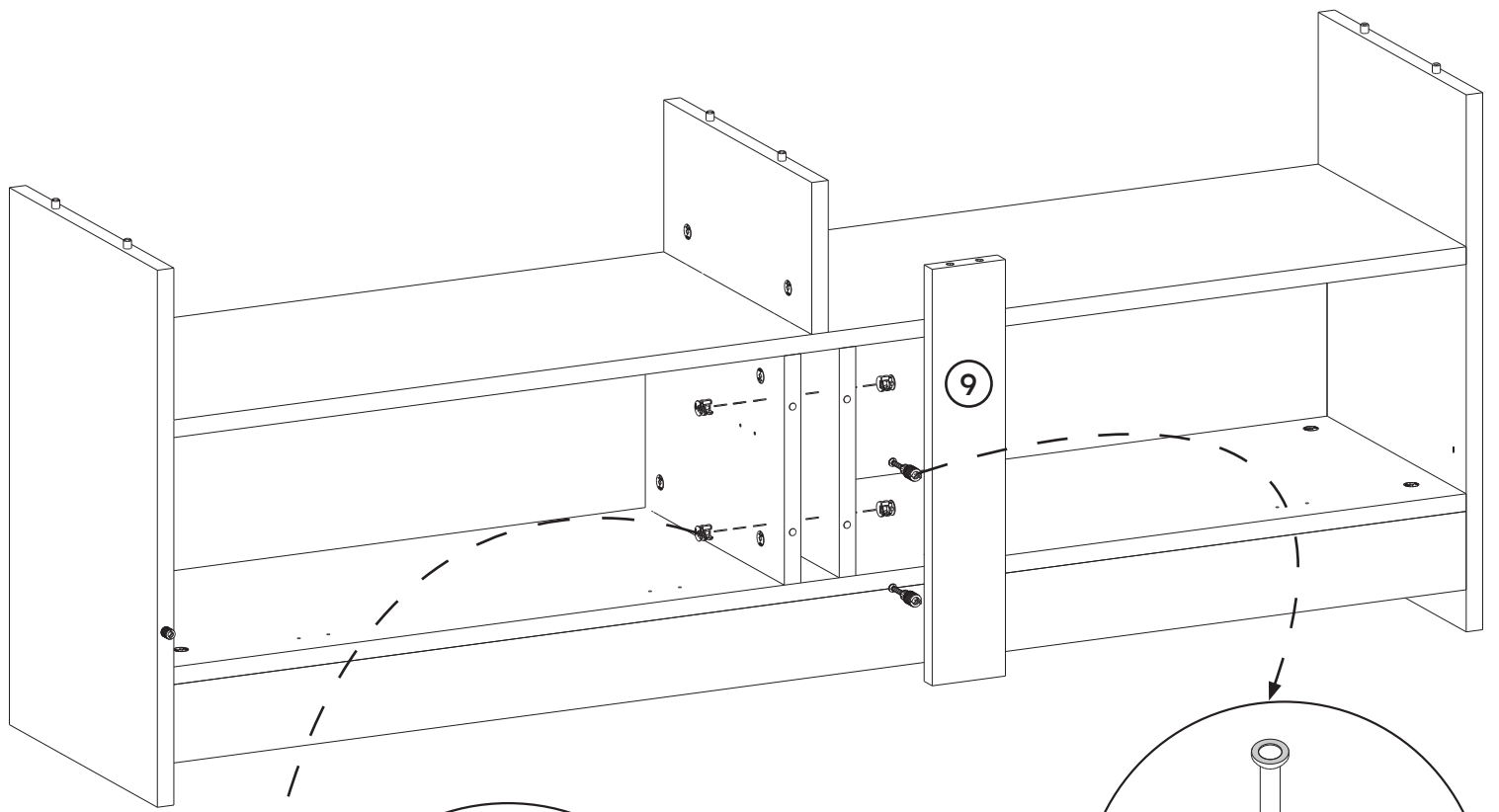


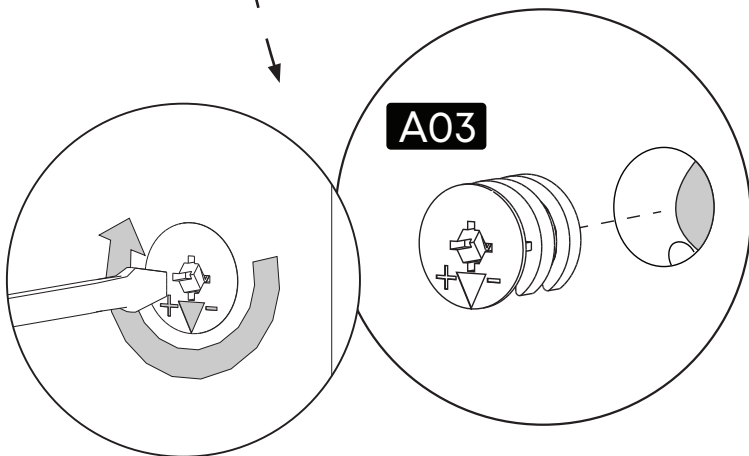
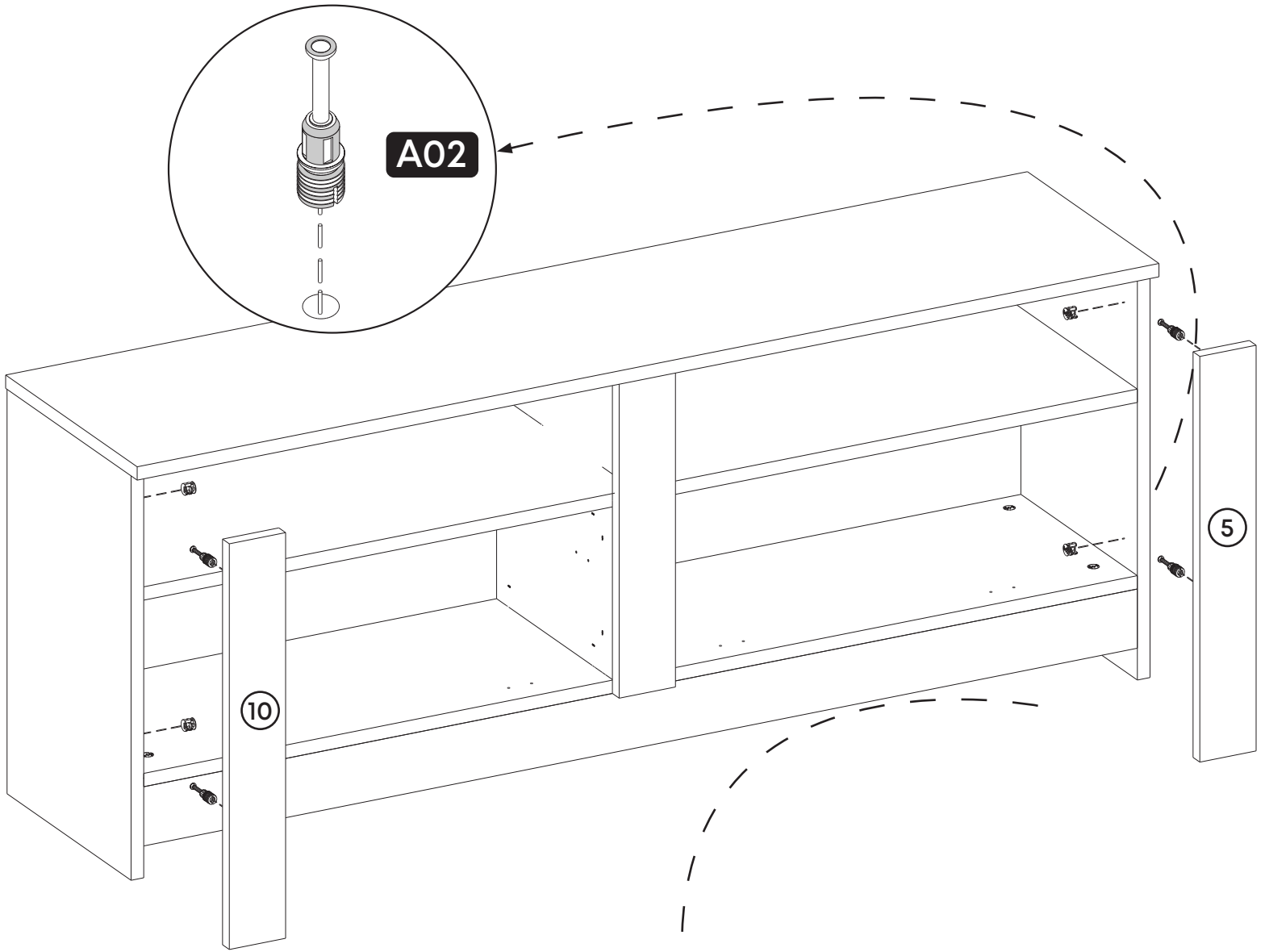


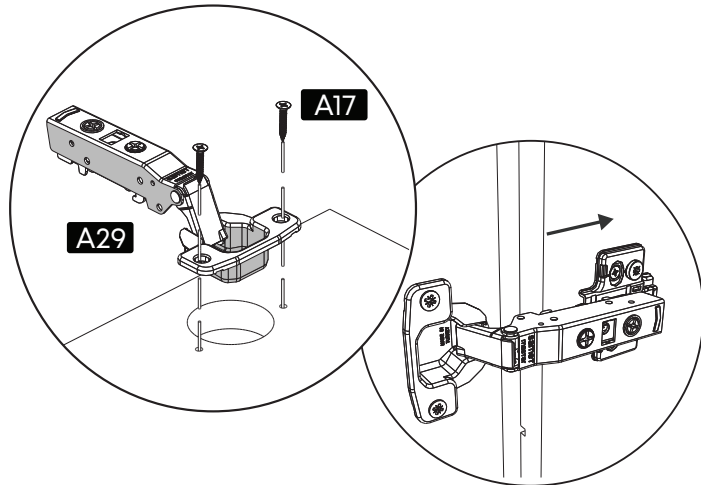
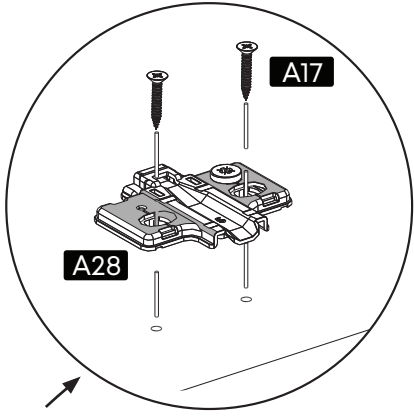
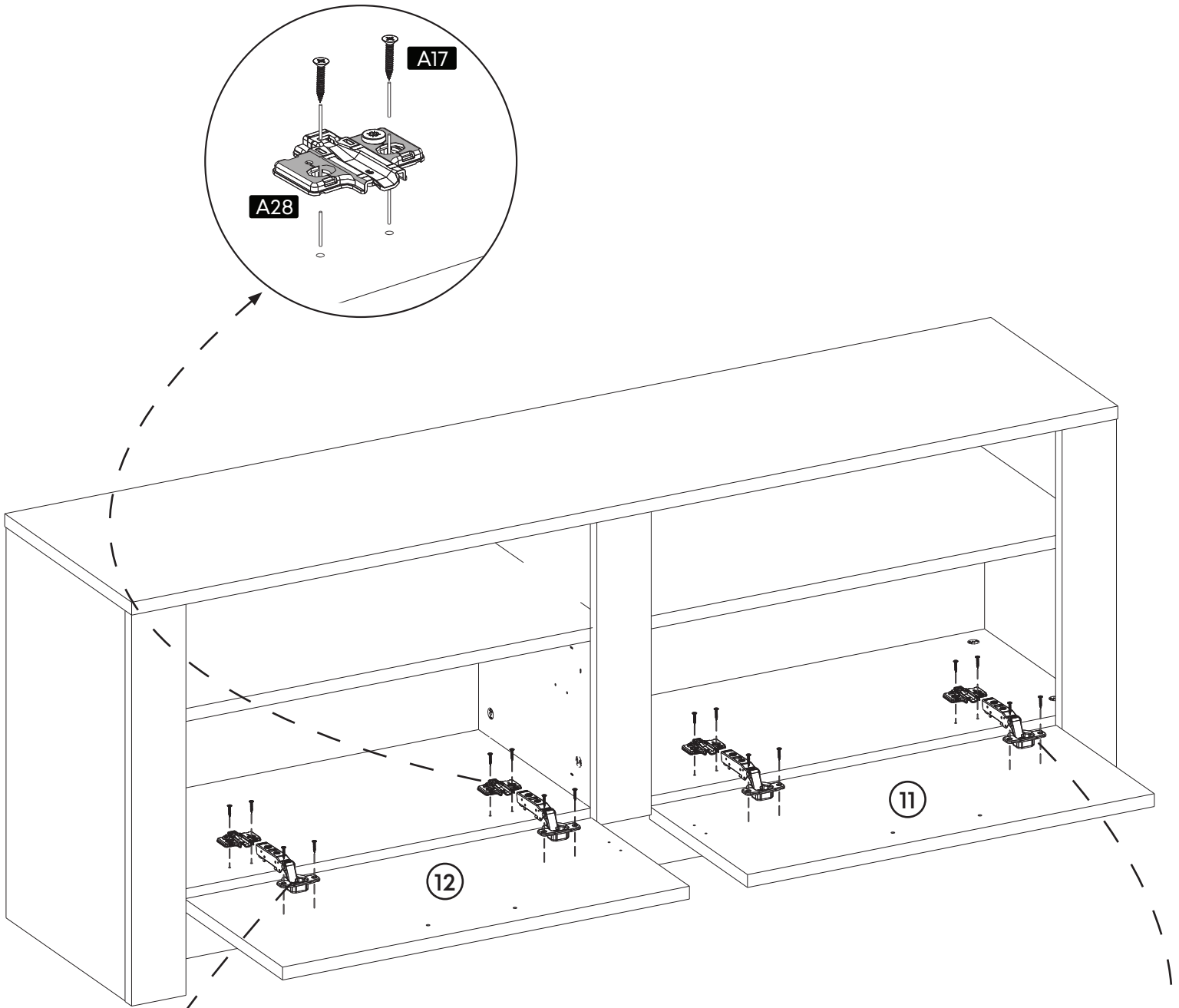




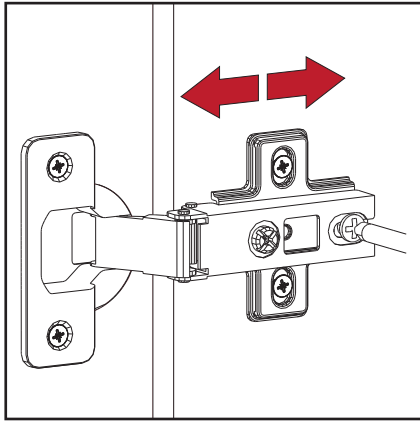




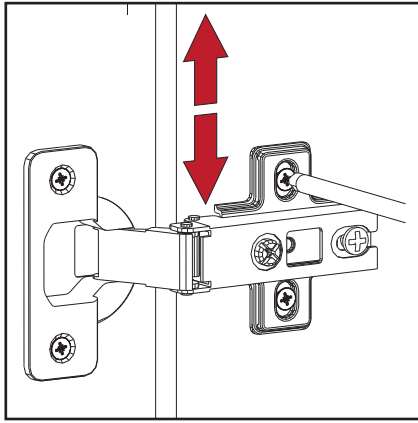




Settings of Hinge



Settings of Hinge



Settings of Hinge

