

Ashley

America's Hearth Since 1905

Model: AG26i



WARNING:

FIRE OR EXPLOSION HAZARD

Failure to follow safety warnings exactly could result in serious injury, death, or property damage.

- Do not store or use gasoline or other flammable vapors and liquids in the vicinity of this or any other appliance.
- **WHAT TO DO IF YOU SMELL GAS**
 - Do not try to light any appliance.
 - Do not touch any electrical switch; do not use any phone in your building.
 - Leave the building immediately.
 - Immediately call your gas supplier from a neighbor's phone. Follow the gas supplier's instructions.
 - If you cannot reach your gas supplier, call the fire department.
- Installation and service must be performed by a qualified installer, service agency or the gas supplier.

Please read this manual BEFORE installing and operating this fireplace.

INSTALLER: Leave this manual with the appliance.
CONSUMER: Retain this manual for future reference.



CALIFORNIA PROPOSITION 65 WARNING:

This product can expose you to chemicals including carbon monoxide, which is known to the State of California to cause cancer, birth defects and/or other reproductive harm. For more information, go to www.P65warnings.ca.gov



Report # F18-426R1

853795C-1804M

Laboratory:

PFS-TECO Laboratories, Clackamas, Oregon

Standards:

- ANSI Z21.88-2017 /CSA 2.33-2017, Vented Gas Fireplace Heaters
- CSA 2.17-2017, Gas-Fired Appliances for Use at High Altitudes
- CSA P.4.1-2015, Testing Method for Measuring Annual Fireplace Efficiency

This installation must conform with local codes, or in the absence of local codes, with the National Fuel Gas Code, ANSI Z223.1/NFPA 54, or the Natural Gas and Propane Installation Code, CSA B149.1.



DANGER



**HOT GLASS WILL
CAUSE BURNS.**

**DO NOT TOUCH GLASS
UNTIL COOLED.**

**NEVER ALLOW CHILDREN
TO TOUCH GLASS.**

A barrier designed to reduce the risk of burns from the hot viewing glass is provided with this appliance and shall be installed for the protection of children and other at-risk individuals.

852502B

**NATIONAL
FIREPLACE
INSTITUTE®**



CERTIFIED
www.nficertified.org

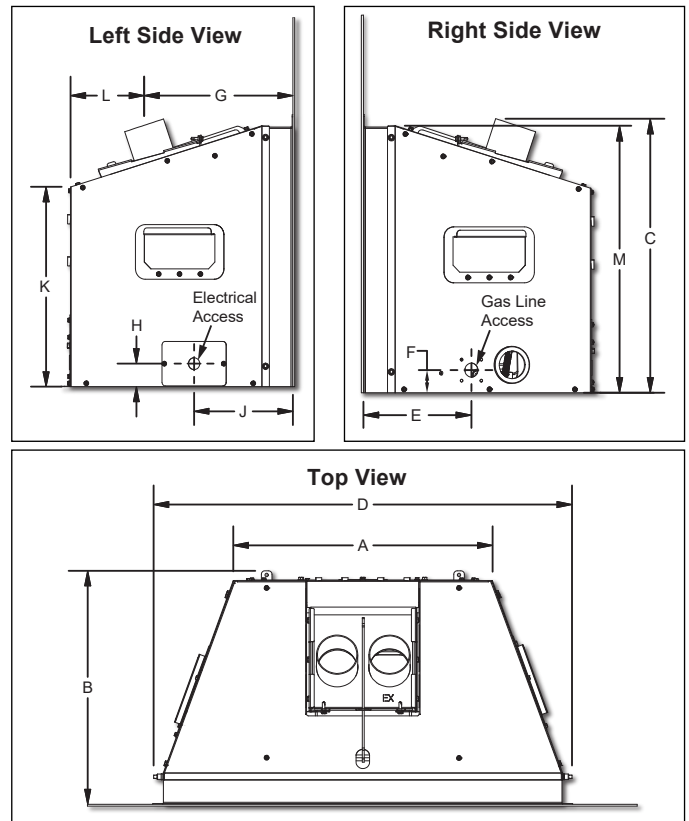
We recommend that our gas hearth products be installed and serviced by professionals who are certified in the U.S. by the National Fireplace Institute® (NFI) as NFI Gas Specialists.

This appliance may be installed in an after-market, permanently located, manufactured home (USA only) or mobile home, where not prohibited by local codes. This appliance is only for use with the type of gas indicated on the rating plate. This appliance is not convertible for use with other gases, unless a certified kit is used.

- After-market: Completion of sale, not for purpose of resale, from the manufacturer.

Appliance Dimensions

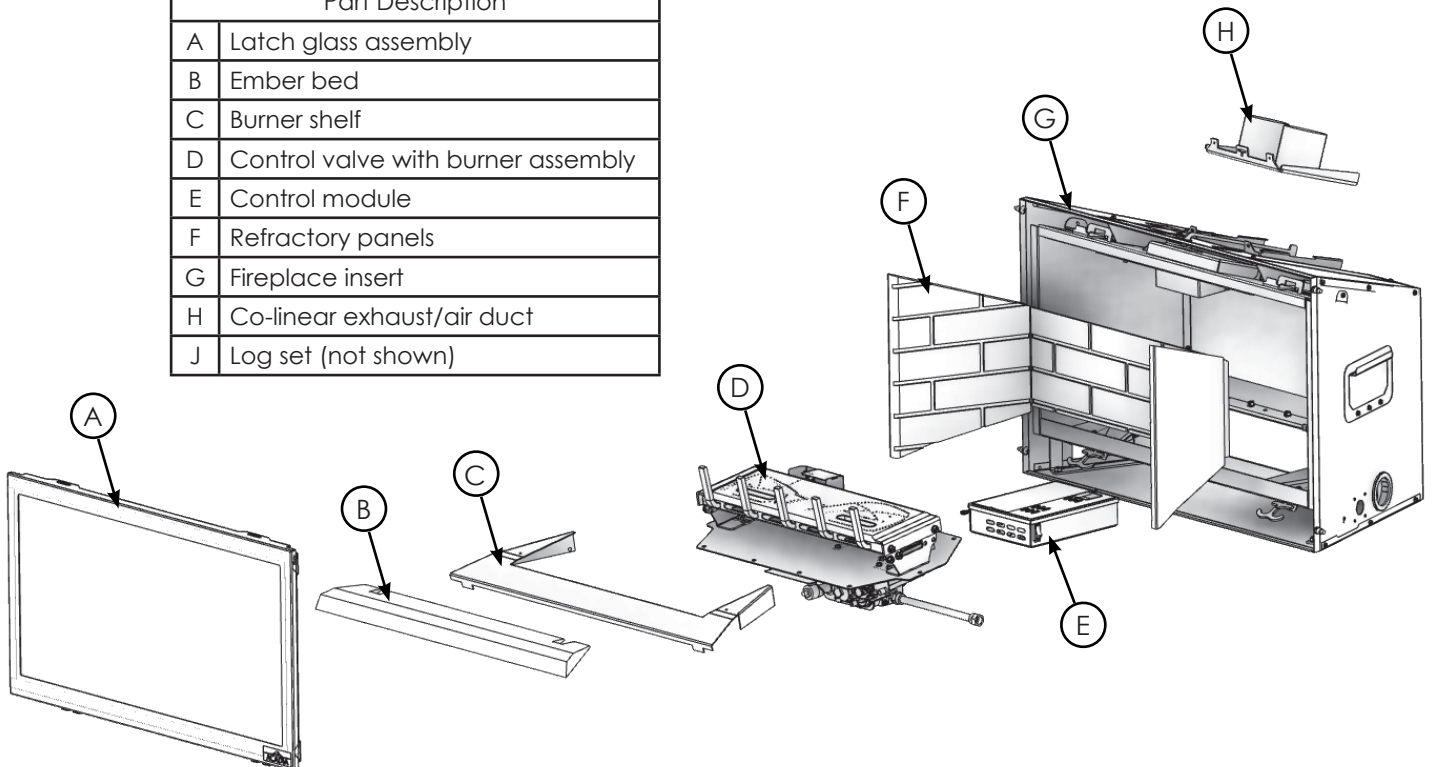
Physical Dimensions			
		inches	mm
A	Back Width	18 - 3/4	477
B	Depth (from back of surround)	*17	432
C	Height (to top of exhaust tube)	19 - 5/8	498
D	Width	30 - 7/16	774
E	Back of Surround to Gas Line Access	7 - 3/4	197
F	Bottom to Gas Line Access	1 - 5/8	42
G	Back of Surround to Exhaust Center	10 - 7/8	277
H	Bottom to Electrical Access	1 - 3/4	43
J	Back of Surround to Electrical Access	7 - 1/4	184
K	Back Height	14 - 5/8	372
L	Back to Exhaust Center	5 - 3/8	137
M	Height (to top of unit)	19 - 1/8	486



Part Assembly Overview

WARNING: Failure to position the parts in accordance with these diagrams or failure to use only parts specifically approved with this appliance may result in property damage or personal injury.

Part Description	
A	Latch glass assembly
B	Ember bed
C	Burner shelf
D	Control valve with burner assembly
E	Control module
F	Refractory panels
G	Fireplace insert
H	Co-linear exhaust/air duct
J	Log set (not shown)



Safety Label

NOTE: This image is only an example. The label on the actual unit will vary slightly.

FOR YOUR SAFETY READ BEFORE OPERATING

WARNING: If you do not follow these instructions exactly, a fire or explosion may result causing property damage, personal injury, or loss of life.

A. This appliance is equipped with an ignition device that automatically lights the pilot. Do not try to light the pilot by hand.

B. **BEFORE OPERATING**, smell around the appliance area for gas. Be sure to smell next to the floor because some gas is heavier than air and will settle on the floor.

WHAT TO DO IF YOU SMELL GAS

- Do not try to light any appliance.
- Do not touch any electric switch; do not use any phone in your building.
- Immediately call your gas supplier from a neighbor's phone.

Follow the gas supplier's instructions.

- If you cannot reach your gas supplier, call the fire department.

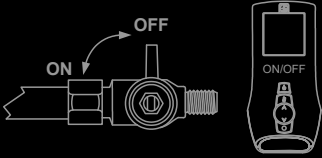
C. Use only your hand to turn the gas control manual valve. Never use tools. If the valve will not turn by hand, do not try to repair it; call a qualified service technician. Force or attempted repair may result in a fire or explosion.

D. Do not use this appliance if any part has been under water. Immediately call a qualified service technician inspect the appliance and to replace any part of the control system and any gas control that has been under water.

OPERATING INSTRUCTIONS

1. STOP! Read the safety information above on this label.
2. Press the wireless remote OFF button.
3. Turn off all electric power to the appliance.
4. This appliance is equipped with an ignition device which automatically lights the pilot. Do not try to light the pilot by hand.
5. Locate the manual valve installed by your qualified service technician.
6. Turn the manual valve clockwise to the OFF position.
7. Wait five (5) minutes to clear out any gas. Then, smell for gas, including near the floor. If you smell gas, STOP! Follow "B" in the safety information above. If you do not smell gas, go to the next step.
8. Turn the manual valve counterclockwise to the ON position.
9. Turn on all electric power to the appliance.

10. Press the wireless remote ON button.
11. If the appliance will not operate, follow the instructions, "The Turn Off Gas To Appliance" and call your service technician or gas supplier.




TO TURN OFF GAS TO APPLIANCE

1. Press the wireless remote OFF button.
2. Turn off all electric power to the appliance if service is to be performed.

3. Locate the manual valve installed by your qualified service technician.
4. Turn the manual valve clockwise to OFF position.

DANGER



HOT GLASS WILL CAUSE BURNS.

DO NOT TOUCH GLASS UNTIL COOLED.

NEVER ALLOW CHILDREN TO TOUCH GLASS.

A barrier designed to reduce the risk of burns from the hot viewing glass is provided with this appliance and shall be installed for the protection of children and other at-risk individuals.

853070

When this fireplace is initially lit, condensation will appear on the glass. This is normal in all gas fireplaces and will disappear after several minutes. A paint smell will occur during the first few hours of burning. It is recommended to leave the fan off during this period to help speed the paint curing process. This fireplace may produce noises of varying degree as it heats and cools due to metal expansion and contraction. This is normal, and does not affect the performance or longevity of the fireplace.

Requirements For The Commonwealth Of Massachusetts

The following requirements reference various Massachusetts and national codes not contained in this manual. For all sidewall horizontally vented gas fueled equipment installed in every dwelling, building or structure used in whole or in part for residential purposes, including those owned or operated by the Commonwealth and where the side wall exhaust vent termination is less than (7) feet above finished grade in the area of the venting, including but not limited to decks and porches, the following requirements shall be satisfied:

INSTALLATION OF CARBON MONOXIDE DETECTORS

At time of installation of side wall horizontally vented gas fueled equipment, the installing plumber or gas-fitter shall observe that a hard wired carbon monoxide detector with an alarm and battery back-up is installed on the floor level where the gas equipment is to be installed. In addition, the installing plumber or gas-fitter shall observe that a battery operated or hard wired carbon monoxide detector is installed on each additional level of the dwelling, building or structure served by the side wall horizontal vented gas fueled equipment. It shall be the responsibility of the property owner to secure the services of qualified licensed professionals for the installation of hard wired carbon monoxide detectors. In the event that the side wall horizontally vented gas fueled equipment is installed in a crawl space or attic, the hard wired carbon monoxide detector with alarm and battery back-up may be installed on the next adjacent floor level. In the event that the requirements of this subdivision can not be met at the time of completion of installation, the owner shall have a period of thirty (30) days to comply with the above requirements; provided, however, that during said thirty (30) day period, a battery operated carbon monoxide detector with an alarm shall be installed.

APPROVED CARBON MONOXIDE DETECTORS

Each carbon monoxide detector as required in accordance with the above provisions shall comply with NFPA 720 and be ANSI/UL 2034 listed and IAS certified.

SIGNAGE

A metal or plastic identification plate shall be permanently mounted to the exterior of the building at a minimum of eight (8) feet above grade directly in line with the exhaust vent terminal for the horizontally vented gas fueled heating the appliance or equipment. The sign shall read, in print no less the one-half inch (1/2") in size, "GAS VENT DIRECTLY BELOW. KEEP CLEAR OF ALL OBSTRUCTIONS".

INSPECTION

The state or local gas inspector of the side wall horizontally vented gas fueled equipment shall not approve the installation unless, upon inspection, the inspector observes carbon monoxide detectors and signage installed in accordance with the provisions of 248 CMR 5.08 (2) (a) 1 through 4.

EXEMPTIONS

The following equipment is exempt from 248 CMR 5.08 (2) (a) 1 through 4: The equipment listed in Chapter 10 entitled "Equipment Not Required To Be Vented" in the most current edition of NFPA 54 as adopted by the Board; and Product Approved side wall horizontally vented gas fueled equipment installed in a room or structure separate from the dwelling, building or structure used in whole or in part for residential purposes.

MANUFACTURER REQUIREMENTS

Gas Equipment Venting System Provided: When the manufacturer of Product Approved side wall horizontally vented gas equipment provides a venting system design or venting system components with the equipment, the instructions provided by the manufacturer for installation of the equipment and the venting system shall include:

- Detailed instructions for the installation of the venting system design or the venting system components; and
- A complete parts list for the venting system design or venting system.

GAS EQUIPMENT VENTING SYSTEM NOT PROVIDED

When the manufacturer of Product Approved side wall horizontally vented gas equipment does not provide the parts for venting the flue gases, but identifies "special venting systems", the following requirements shall be satisfied by the manufacturer:

- The referenced "special venting systems" instructions shall be included with the appliance or equipment installation instructions and;
- The "special venting systems" shall be Product Approved by the Board, and the instructions for that system shall include a parts list and detailed installation instructions.

A copy of all installation instructions for all Product Approved side wall horizontally vented gas fueled equipment, all venting instructions, all parts lists for venting instructions, and/or all venting design instructions shall remain with the appliance or equipment at the completion of the installation.

Before You Start

WARNING: Read this owner's manual carefully and completely before trying to assemble, operate, or service. Any change to this appliance or its controls can be dangerous. Improper installation or use can cause serious injury or death from fire, burns, explosions, electrical shock and carbon monoxide poisoning.

This is a vented product. It must be properly installed by a qualified service person. The glass door must be properly seated and sealed. If this appliance is not properly installed by a qualified service person with glass door properly seated and sealed, combustion leakage can occur. **CARBON MONOXIDE POISONING:** Early signs of carbon monoxide poisoning are similar to the flu with headaches, dizziness and/or nausea. If you have these signs, it may not have been installed properly. Get fresh air at once! Have it inspected and serviced by a qualified service person. Some people are more affected by carbon monoxide than others. These include pregnant women, people with heart or lung disease or anemia, those under the influence of alcohol, and those at high altitudes. Propane/LP gas and natural gas are both odorless. An odor-making agent is added to each of these gases. The odor helps you detect a gas leak. However, the odor added to these gases can fade. Gas may be present even though no odor exists. Make certain you read and understand all warnings. Keep this manual for reference. It is your guide to safe and proper operation.

- 1. Installation and repair should be done by a qualified service person. The appliance should be inspected before use and at least annually by a professional service person. More frequent cleaning may be required due to excessive lint from carpeting, bedding material, etc. It is imperative that control compartments, burners, and circulating air passageways of the appliance be kept clean.**
2. Only use the type of gas indicated on the rating plate. This appliance is not convertible for use with other gases unless a certified kit is used.
3. Do not place propane/LP supply tank(s) inside any structure. Locate propane/LP supply tank(s) outdoors. To prevent performance problems, do not use propane/LP fuel tank of less than 100 lbs. capacity.
4. If you smell gas:
 - Shut off gas supply.
 - Do not try to light any appliance.
 - Do not touch any electrical switch; do not use any phone in your building.
 - Immediately call your gas supplier from a neighbor's phone. Follow the gas supplier's instructions.
5. Never install:
 - In a recreational vehicle
 - Where curtains, furniture, clothing, or other flammable objects are less than 36" from the front, top, or sides of it
 - In high traffic areas
 - In windy or drafty areas
- 6. This appliance reaches high temperatures. Children and adults should be alerted to the hazards of high surface temperature and should stay away to avoid burns or clothing ignition. It will remain hot for a time after shutdown. Allow surfaces to cool before touching.**
- 7. Young children should be carefully supervised when they are in the same room as the appliance. Toddlers, young children and others may be susceptible to accidental contact burns. A physical barrier is recommended if there are at-risk individuals in the house. To restrict access to a fireplace or stove, install an adjustable safety gate to keep toddlers, young children and other at-risk individuals out of the room and away from hot surfaces.**
- 8. Due to high temperatures, the appliance should be located out of traffic and away from furniture and draperies. Clothing or other flammable material should not be placed on or near the appliance.**
9. Do not modify the appliance under any circumstances. Any parts removed for servicing must be replaced prior to operating.
10. Turn off and let cool before servicing, installing, or repairing. Only a qualified service person should install, service, or repair it. Have burner system inspected annually by a qualified service person.
11. You must keep control compartments, burners, and circulating air passages clean. More frequent cleaning may be needed due to excessive lint and dust. Turn off the gas valve and pilot light before cleaning.
12. Have venting system inspected annually by a qualified service person. If needed, have venting system cleaned or repaired.
13. Keep the surrounding area clear of combustible materials, gasoline, and other flammable vapor and liquids. Do not run the appliance where these are used or stored. Do not place items such as clothing or decorations on or around the appliance.
14. Do not use to cook food or burn paper or other objects.
15. Never place anything on top of the appliance.
16. Do not use any solid fuels (wood, coal, paper, cardboard, etc.) in this appliance. Use only the gas type indicated on rating plate.

17. This appliance, when installed, must be electrically grounded in accordance with local codes or in the absence of local codes, with the National Electrical Code, ANSI/NFPA 70, or the Canadian Electrical Code, CSA C22.1.
18. Do not obstruct the flow of combustion and ventilation air in any way. Provide adequate clearances around air openings into the combustion chamber along with adequate accessibility clearance for servicing and proper operation.
19. Do not use if any part has been under water. Immediately call a qualified service technician to inspect and if needed replace any part of the control system and any gas control which as been under water.
20. Do not operate if any log is broken.
21. Do not use a blower insert, heat exchanger insert, or any other accessory not approved for use with this appliance.
22. Do not operate with the glass front removed, cracked, or broken. Replacement of the glass should be done by a licensed qualified service person.

CAUTION: PLEASE READ THE FOLLOWING CAREFULLY It is not unusual to have some odor during the first burn. This is due to the manufacturing process. Please ensure that your room is well ventilated during burn off — open all windows. It is recommended that you burn your fireplace for at least ten (10) hours the first time you use it. Place the fan switch in the "OFF" position during this time.

WARNING: Never connect this appliance to private (non-utility) gas wells. This gas is commonly known as wellhead gas.

Product Features

PRODUCT SPECIFICATIONS

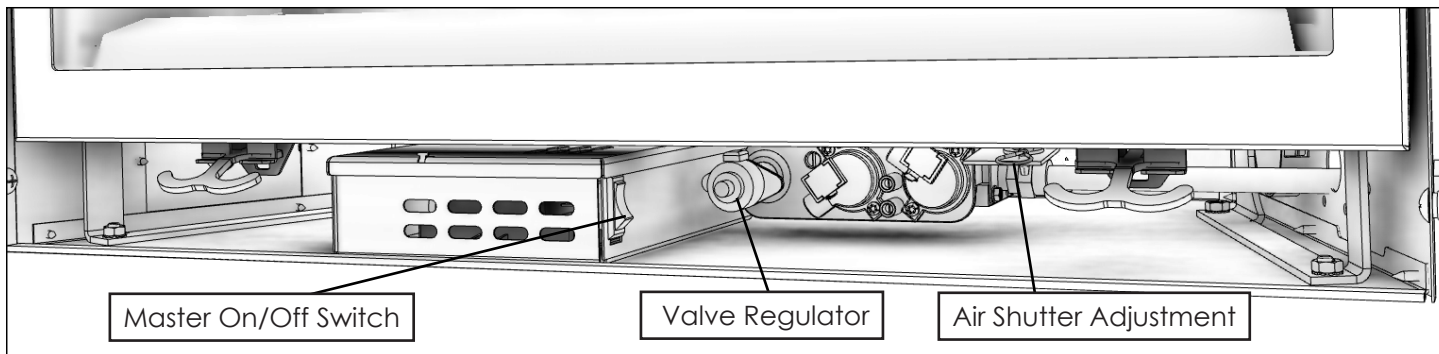
This appliance:

- has been certified for use with either natural or propane gas. See appropriate data plates.
- must use conversion kit to burn propane gas.
- is not for use with solid fuels.
- is approved for bedroom or bed sitting room installations.
- must be installed in accordance with local codes if any. If none exist use the current installation code. ANSI Z223.1/NFPA 54 in the USA, CSA B149.1 in Canada.
- is mobile home approved.
- must be properly connected to a venting system.
- is approved to be vented using DuraVent, BDM, ICC, and Olympia venting components.

The classification "noncombustible material" includes, but is not limited to stone, brick and mortar. Noncombustibles are safe to overlay the black-painted metal face (including radiant plates) and do not pose a fire hazard. Do not allow any noncombustible finish material to extend past or interfere with opening.

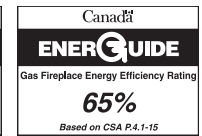
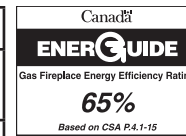
The classification "combustible material" includes, but is not limited to plywood, drywall and particle board. Combustible materials may contact the sides, bottom or back of firebox. Do not overlay the black painted face with combustible materials.

CONTROLS



Gas Pressures		
	Natural	Propane (LP)
Inlet Minimum	5.0" w.c.	12.0" w.c.
Inlet Maximum	10.5" w.c.	14.0" w.c.
Manifold Pressure	3.8" w.c.	11.0" w.c.

Gas Specifications & Orifice Size			
Fuel	Max. Input BTU/h	Min. Input BTU/h	Orifice Size
Nat.	18,500	10,000	#45
LP	17,000	9,000	3/64"



Natural Gas

LP Gas

HIGH ELEVATIONS

This appliance may be installed at higher altitudes. Please refer to National Fuel Gas Code ANSI Z223.1/NFPA 54, CSA-B149.1 Natural Gas and Propane Installation Code, local authorities, or codes having jurisdiction in your area regarding derate guidelines.

US Installations - Refer to the American Gas Association guidelines for the gas designed appliances derating method. For elevations above 2,000 ft (610 m), input ratings are to be reduced by 4% for each 1,000 ft (305 m) above sea level.

Canadian Installations - When the appliance is installed at elevations above 4,500 ft (1,372 m), the certified high altitude rating shall be reduced at the rate of 4% for each additional 1,000 ft (305 m).

WARNING: Read all instructions completely and thoroughly before attempting installation. Failure to do so could result in serious injury, property damage or loss of life. Operation of improperly installed and maintained venting system could result in serious injury, property damage or loss of life.

WARNING: This appliance must be vented to the outside. The venting system must NEVER be attached to a chimney serving a separate solid fuel burning appliance. Each gas appliance must use a separate vent system. Do not use common vent systems.

WARNING: Do not pack the open air spaces with insulation or other materials. This could cause high temperatures and may present a fire hazard and serious injury, property damage or loss of life. Operation of improperly installed and maintained venting system could result in serious injury, property damage or loss of life.

NOTE: Failure to follow these instructions will void the warranty.

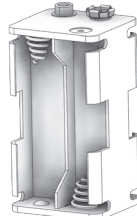
Part Overview

Read this homeowner manual thoroughly and follow all instructions carefully. Inspect all contents for shipping damage and immediately inform your authorized dealer if any damage is found. Do not install any damaged, incomplete, or substitute parts. Check your packing list to verify that all listed parts have been received.

AA BATTERIES
(4 PACK)



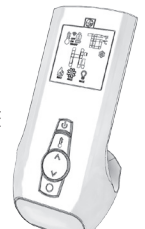
9V BATTERY
BOX



AAA BATTERIES
(3 PACK)



REMOTE



Existing Fireplace Requirements

APPLIANCE PLACEMENT CONSIDERATIONS

WARNING: Due to high surface temperatures, the fireplace insert should be located out of traffic and away from furniture and draperies.

- This fireplace insert must be installed on a level surface capable of supporting the fireplace insert and venting.
- This fireplace insert may be installed in a bedroom.
- Please be aware of the large amount of heat this fireplace insert will produce when determining a location.

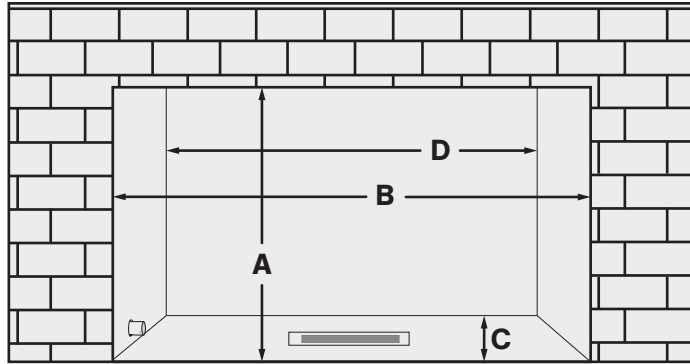
EXISTING FIREPLACE SPECIFICATIONS

CAUTION: Adequate accessibility clearances for servicing and proper operation must be maintained.

- Any smoke shelves, shields, and baffles may be removed if attached by mechanical fasteners. If necessary, remove firebrick to obtain at least the minimum opening requirements.
- Cutting of any sheet metal parts of the existing fireplace is prohibited.
- If the metal floor is removed, the insert must be placed directly on metal base of metal fireplace. Mechanically attach "THIS UNIT HAS BEEN MODIFIED" label at bottom of existing firebox so it will be visible if this gas fireplace insert is removed.

EXISTING FIREPLACE OPENING MINIMUM REQUIREMENTS

		inches	mm
A	Height	20	508
B	Front Width	31	788
C	Depth	17	432
D	Back Width	19	483



CHIMNEY SPECIFICATIONS

WARNING: Any chimney clean-outs must fit properly.

This fireplace insert is to be installed into a solid fuel masonry or factory built non-combustible fireplace that has been installed in accordance with the national, provincial, state, and local building codes.

The existing chimney must be comprised of one of the following:

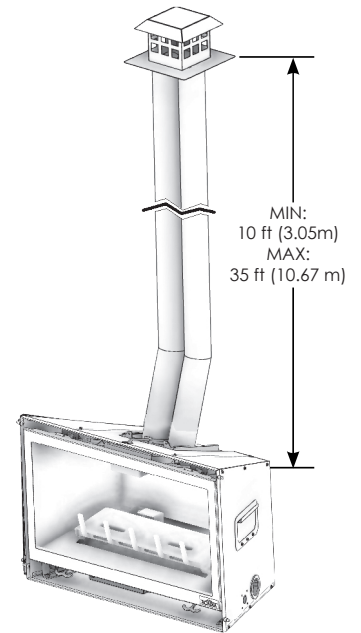
- Factory-built solid fuel chimney: 7" (178mm) minimum inside diameter
- Masonry chimney: 6" x 8" (152mm x 203mm) minimum inside diameter

EXISTING CHIMNEY HEIGHT

- Minimum: 10 ft (3.05 m) Maximum: 35 ft (10.67 m)

DETERMINE LENGTH OF EXISTING CHIMNEY

1. Remove and discard existing chimney cap.
2. It is helpful to have two people complete this step. Position one person at the fireplace and another person at the top of the chimney.
3. Measure from the fireplace base to the top of the chimney.
4. Subtract the height of the insert from the previous measurement. This is the total length of the co-linear flexible aluminum pipe required for your installation.

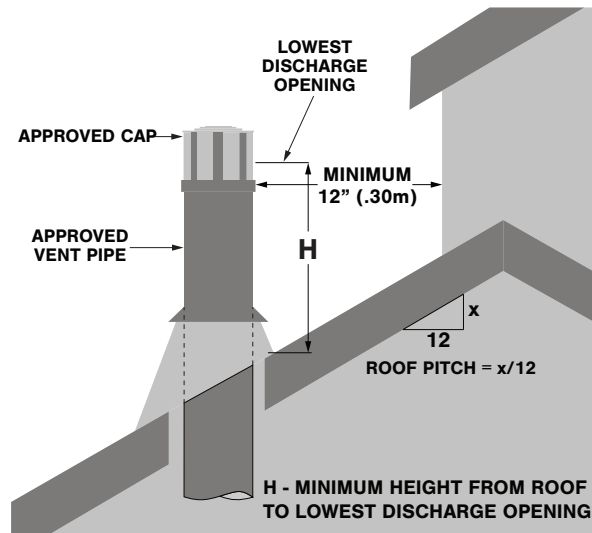


Termination Location

VENT TERMINATION CLEARANCES

WARNING: This appliance must not share or be connected to a chimney flue serving any other appliance.

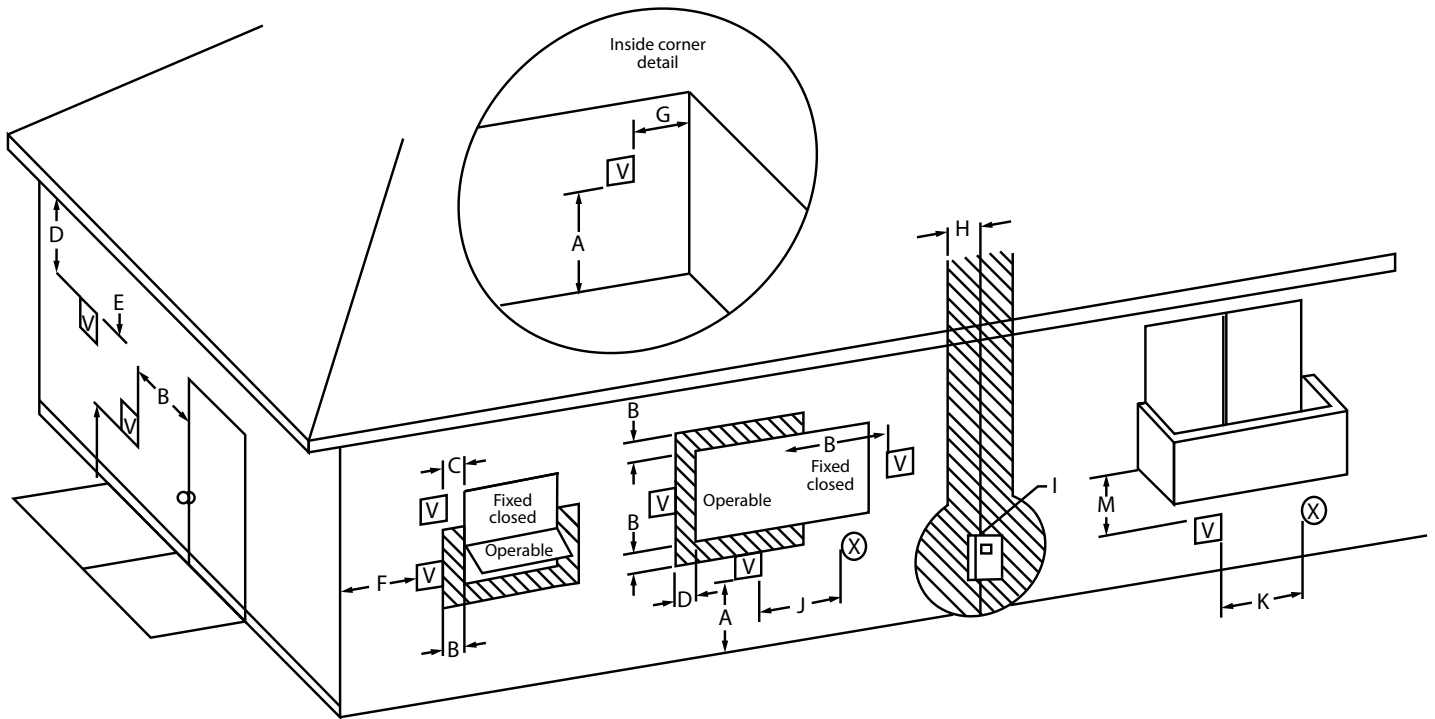
- Approved vent caps require 12" (305mm) clearance to intersecting walls, overhangs or eaves as verified by test.



Vertical Vent Cap Clearance

Minimum Height (H) From Roof		
Roof Pitch	Feet	Meters
Flat to 6/12	1.0	0.30
Over 6/12 to 7/12	1.25	0.38
Over 7/12 to 8/12	1.5	0.46
Over 8/12 to 9/12	2.0	0.61
Over 9/12 to 10/12	2.5	0.76
Over 10/12 to 11/12	3.25	0.99
Over 11/12 to 12/12	4.0	1.22
Over 12/12 to 14/12	5.0	1.52
Over 14/12 to 16/12	6.0	1.83
Over 16/12 to 18/12	7.0	2.13
Over 18/12 to 20/12	7.5	2.27
Over 20/12 to 21/12	8.0	2.44

MINIMUM TERMINATION CLEARANCES



Legend:

- V = Vent terminal
- X = Air supply inlet
- = Air where terminal is not permitted

		Canadian installation ¹	US installations ²
A	Clearance above grade, veranda, porch, deck, or balcony	12" (30 cm)	12" (30 cm)
B	Clearance to window or door that may be opened	6" (15 cm) for appliances ≤ 10,000 Btu/h (3 kW), 12" (30 cm) for appliances > 10,000 Btu/hr (3 kW) and ≤ 100,000 Btu/h (30 kW), 36" (91 cm) for appliances > 100,000 Btu/h (30 kW)	6" (15 cm) for appliances ≤ 10,000 Btu/h (3 kW), 9" (23 cm) for appliances > 10,000 Btu/hr (3 kW) and ≤ 50,000 Btu/h (15 kW), 12" (30 cm) for appliances > 50,000 Btu/h (15 kW)
C	Clearance to permanently closed window	*	*
D	Vertical clearance to ventilated soffit located above the terminal within a horizontal distance of 2 feet (61 cm) from the center line of the terminal	*	*

Installation Preparation

NOTE: This gas fireplace insert is approved for installation in masonry and factory-built solid fuel burning fireplaces.

CAUTION: Any removed parts must be capable of re-installation if this insert is ever removed. Removal of rivets or screws is acceptable.

INSPECT AND CLEAN EXISTING CHIMNEY

- Verify existing chimney is constructed of non-combustible material.
- Verify existing chimney is clean and in good working order. Clean existing chimney and fireplace to prevent a creosote odor from entering the home.
- Verify combustible mantel and sidewall clearances comply with the "Safety Barrier Installation" section of this manual.
- The refractory, glass doors, screen rails, screen mesh, and log grates may be removed from existing fireplace before installing this gas fireplace insert.

FLUE DAMPER

The appliance flue damper can be fully blocked open, or removed for installation of this gas fireplace insert. Remove existing chimney cap.

GAS LINE

A gas line must be able to be installed to the insert (see the "Gas Line Connection" section of this manual). If the factory-built fireplace has no gas access hole(s) provided, an access hole of 1-1/2" (37.5 mm) or less may be drilled through the lower sides or bottom of the firebox in a proper workmanship like manner. The access hole must be plugged with non-combustible insulation after the gas supply line has been installed. Run gas line to the gas fireplace insert through the gas line hole provided. Do not run gas line in a manner that would obstruct fan operation. If the gas fireplace insert is to be installed into minimum opening dimensions, the gas line may need to be run after appliance placement due to space limitations.

ELECTRICAL WIRING

Provisions must be made to provide electrical power for appliance operation. Refer to the Appliance Dimensions section of this manual for electrical outlet box location to run any necessary electrical wiring to the gas fireplace insert.

FIREPLACE CONVERSION

Mechanically attach the label with the following warning to at the bottom existing firebox so it will be visible if this gas fireplace insert is removed.

WARNING:

THIS FIREPLACE HAS BEEN CONVERTED FOR USE WITH A GAS FIREPLACE INSERT ONLY AND CANNOT BE USED FOR BURNING WOOD OR SOLID FUELS UNLESS ALL ORIGINAL PARTS HAVE BEEN REPLACED, AND THE FIREPLACE RE-APPROVED BY THE AUTHORITY HAVING JURISDICTION.

AVERTISSEMENT:

CE FOYER A ÉTÉ CONVERTI POUR UTILISATION AVEC UN FOYER AU GAZ ENCASTRABLE ET NE PEUT ÊTRE UTILISER POUR BRÛLER DU BOIS OU D'AUTRES COMBUSTIBLES SOLIDES À MOINS QUE TOUTES LES PIÈCES D'ORIGINE AIENT ÉTÉ REMPLACÉES ET QUE LE FOYER AIT ÉTÉ APPROUVÉ DE NOUVEAU PAR L'AUTORITÉ COMPÉTENTE.

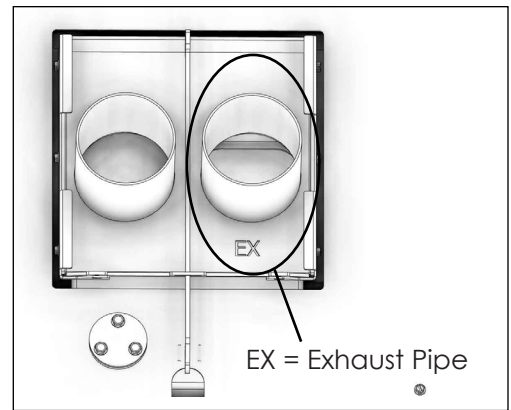
853071

Installation

CO-LINEAR VENT SYSTEM

CAUTION: Proper operation of this insert requires the exhaust and combustion air pipes to be connected to the correct collar, on both the termination kit and the gas fireplace insert air duct. The fireplace insert air duct exhaust is located on the right side. Install termination cap on the right side

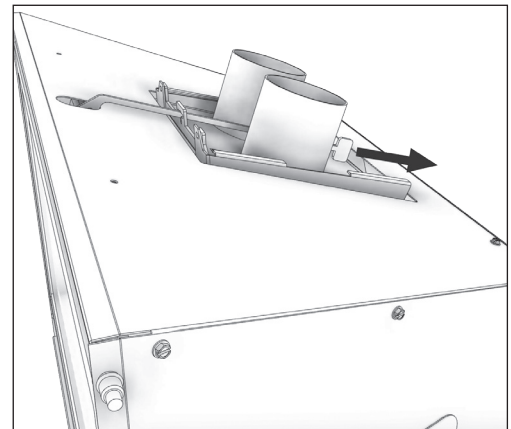
1. Carefully extend the exhaust and combustion air intake pipes to total chimney length required.
2. Slide the combustion air intake pipe over termination cap collar. Secure to termination cap with three (3) self-tapping screws.
3. Place a bead of high temperature sealant around the inner edge at the end of the exhaust pipe and slide onto the termination cap.
4. Secure the exhaust pipe to termination cap with the three (3) self-tapping screws. Apply additional high temperature sealant around joint to ensure a proper seal.
5. Complete vent system installation as shown in this manual.



REMOVE AIR DUCT

CAUTION: All information outlined in the "Installation Preparation" section of this manual must be completed before continuing with this installation.

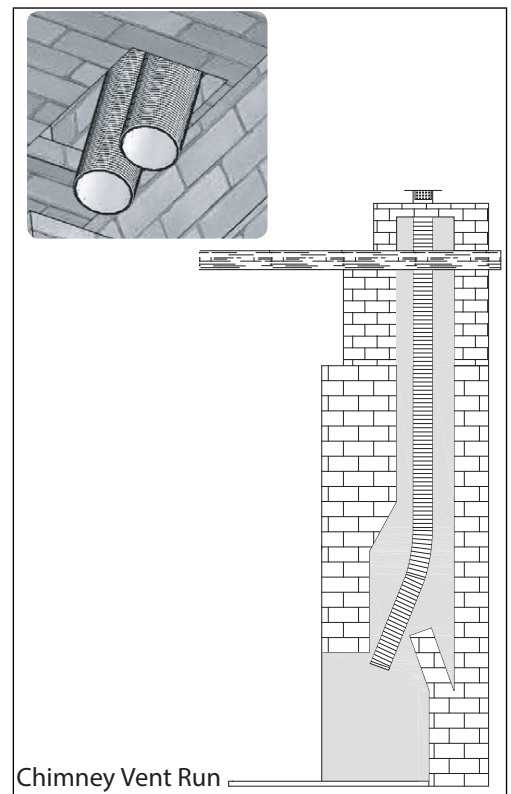
Remove the air duct at the top of appliance by sliding the air duct back out of channels. Refer to the following instructions for vent system attachment to the air duct.



RUN VENT SYSTEM

If offsets are present in existing chimney, place a weighted rope around the pipe ends to guide them through the chimney. **DO NOT ATTEMPT TO TIE ONE ROPE AROUND BOTH PIPES.**

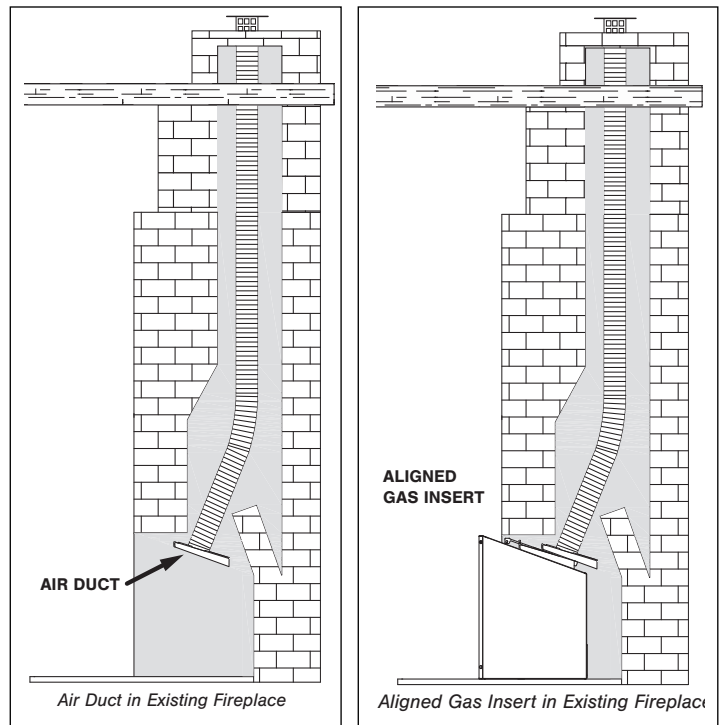
- To prevent cold air drafts, it is recommended to insulate the 3" x 3" flexible vent pipes and chimney using unfaced insulation products listed as noncombustible per ASTM E 136.
1. **OPTIONAL:** Before installing vent system down through the chimney, place unfaced insulation around the first 3 ft (914 mm) of vent system below termination cap. Secure with wire.
 2. Install the 3" x 3" flexible pipes down through existing chimney. Guide ropes (if used) to aid installation.
 3. To secure chimney termination cap to chimney, apply a liberal bead of high temperature sealant around the top of the chimney. Set termination cap into position as instructed by vent system manufacturer's installation manual.
 4. From inside the existing fireplace, carefully pull ropes (if used) or the flexible pipes down until both exhaust pipe and combustion air intake are into the existing fireplace firebox.
 5. **OPTIONAL:** To prevent heat loss up chimney, place unfaced insulation products between the 3" x 3" flexible vent pipes and chimney.



CONNECT VENT PIPE TO AIR DUCT

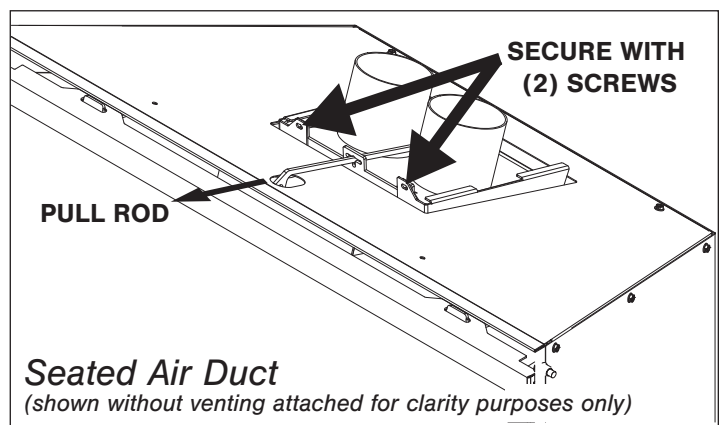
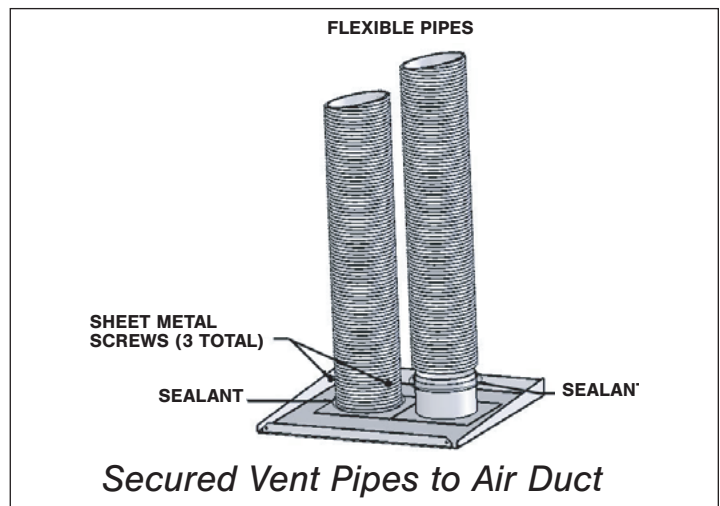
CAUTION: Proper operation of this appliance requires exhaust and combustion air pipes to be connected to the correct collar, on both the termination kit and the gas fireplace insert air duct.

1. Place previously removed air duct into existing fireplace opening.
2. Connect exhaust vent pipe to exhaust collar on air duct. Apply a bead of high temperature sealant around exhaust pipe and slide inside. Secure with three (3) 1/2" (13 mm) self-tapping screws. Apply additional high temperature sealant around joint to ensure an air tight seal.
3. Connect air intake vent pipe to air duct. Apply a liberal bead of high temperature sealant around intake on air duct. Slide on the combustion intake pipe and secure with three (3) 1/2" (13 mm) self-tapping screws. Apply additional high temperature sealant around joint to ensure an air tight seal.
4. Visually check vent pipe connection to air duct.
NOTE: This appliance is approved to be vented using DuraVent, BDM, ICC, Olympia venting components, and Metal Fab.



PLACE AND SECURE APPLIANCE

1. Slide the gas fireplace insert into existing fireplace opening until the channels on top of the appliance are aligned with the air duct.
2. Insert the air duct pull rod handle through access slot at the top of appliance and place pull handle hook through the hole in pull rod. Simultaneously push the gas insert into existing fireplace and pull the air duct forward until seated.
3. Secure air duct to appliance by using slots at the top of the appliance to secure with two (2) 1/2" (13 mm) sheet metal screws.
4. Use the pull rod handle to pull the air duct back to starting position. Remove pull handle. Verify vent system connection.
5. If necessary, level the gas insert by threading leveling bolts into nuts at the bottom of the insert (2 each side). Verify appliance is properly positioned.



Gas Line Connection

GAS CONVERSION (SOLD SEPARATELY)

CAUTION: The conversion shall be carried out in accordance with the requirements of the provincial authorities having jurisdiction and in accordance with the requirements of the ANSI Z223.1 installation code.

This fireplace is manufactured for use with natural gas. Follow the instructions included with the AG26LPC conversion kit if converting to LP gas.

GAS LINE INSTALLATION

CAUTION: Installation of the gas line must only be done by a qualified person in accordance with local building codes, if any. If not, follow ANSI 223.1. Commonwealth of Massachusetts installations must be done by a licensed plumber or gas fitter.

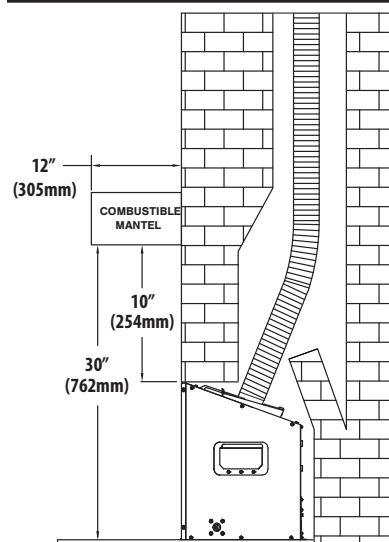
NOTE: The appliance and its individual shutoff valve must be disconnected from the gas supply piping system during any pressure testing of that system at pressures in excess of 1/2 psi (3.5 kPa). For test pressures equal to or less than 1/2 psi (3.5 kPa), the appliance must be isolated from the gas supply piping system by closing its individual manual shut-off valve. A listed (and Commonwealth of Massachusetts approved) 1/2" (13 mm) tee handle manual shut-off valve and flexible gas connector are to be connected to the 1/2" (13 mm) control valve inlet. If substituting for these components, please consult local codes for compliance.

- If installing this insert into minimum opening dimensions, the gas line may need to be run after placement due to space limitations (see the Existing Fireplace Opening Minimum Requirements section of this manual).
- This fireplace is equipped with a 3/8" (10 mm) x 18" (457 mm) long flexible gas connector and manual shut-off valve.
- Run gas line into fireplace, preferably through left or right gas line holes provided. The gas line should be run to the point of connection where the shut-off valve and flexible gas line will connect.
- Do not run gas line in a manner that would obstruct fan operation.
- For high altitude installations, consult the local gas distributor or the authority having jurisdiction for proper rating methods.

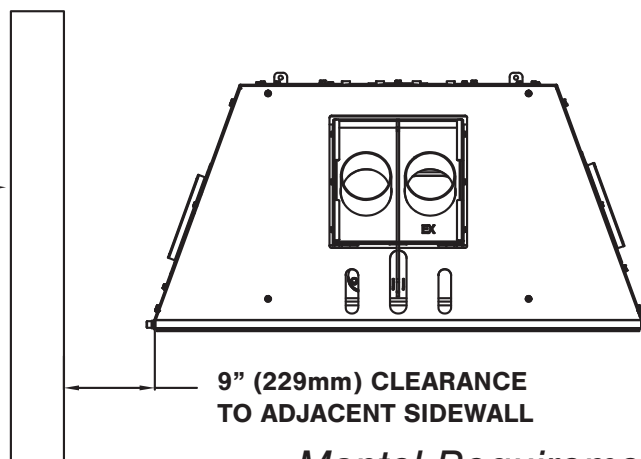
Inlet Gas Supply Pressures		
Fuel	Minimum Pressure	Maximum Pressure
Natural Gas	5" WC (1.25 kPa)	10.5" WC (2.62 kPa)
LP Gas	12" WC (2.99 kPa)	14" WC (3.48 kPa)

Facing And Finishing

CLEARANCES TO COMBUSTIBLES



COMBUSTIBLE-MATERIAL



9" (229mm) CLEARANCE TO ADJACENT SIDEWALL

Mantel Requirements

Log, Liner, Safety Barrier, & Surround Installation

CAUTION: Do not place logs directly over burner port holes. Improper log placement may affect flame appearance and cause excessive soot to build upon the logs and glass.

- If converting to LP (propane) gas, complete the conversion before installing the log set. Follow the conversion instructions included with the kit.
- Refer to the instruction sheets provided with your log and liner set for proper installation.

Only log and liner sets certified with the appliance shall be used. **NOTE:** This fireplace should not be burned without the approved logs, surrounds, and liners properly installed. Use without the logs, surrounds, and liners properly installed could cause damage to the appliance.

WARNING: A barrier designed to reduce the risk of burns from the hot viewing glass is provided with this appliance and shall be installed for the protection of children and other at-risk individuals. If the barrier becomes damaged, the barrier shall be replaced with the manufacturer's barrier for this appliance. Only doors certified with the appliance shall be used.

CAUTION: Consider the height of hearth finish material when building a platform. Proper installation of safety barriers with an overlap fit design require the bottom of the fireplace to be level with finished hearth. For installation instructions refer to "Safety Barrier Installations".

Do not operate this appliance without a safety barrier. Only safety barriers certified with the appliance shall be used. Only trim kit(s) supplied by the manufacturer shall be used in the installation of this appliance. Any trim panels or surrounds must not seal ventilation openings in existing fireplace that this appliance is installed in.

Certified Log Set	Certified Liner Set	Certified Surround	Certified Safety Barrier
893263	893249	640727	611010

Gas Fireplace Insert Setup

GLASS FRAME ASSEMBLY

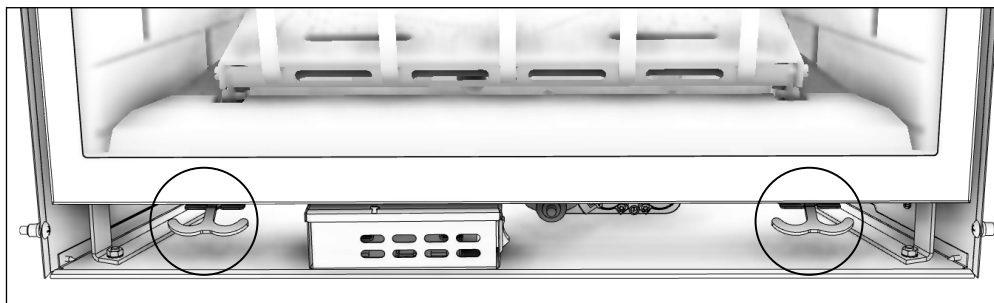
WARNING: Do not operate this fireplace with the glass removed, cracked, or broken. Replacement of the glass assembly should be done by a licensed or qualified service person.

WARNING: Use only authorized parts and materials when replacing defective or damaged glass.

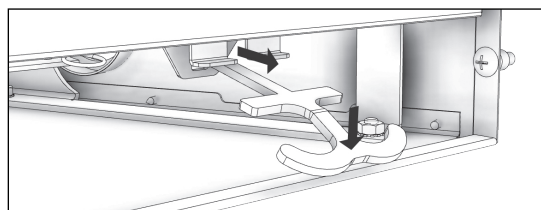
REMOVE GLASS ASSEMBLY

WARNING: Do not remove the glass assembly when hot.

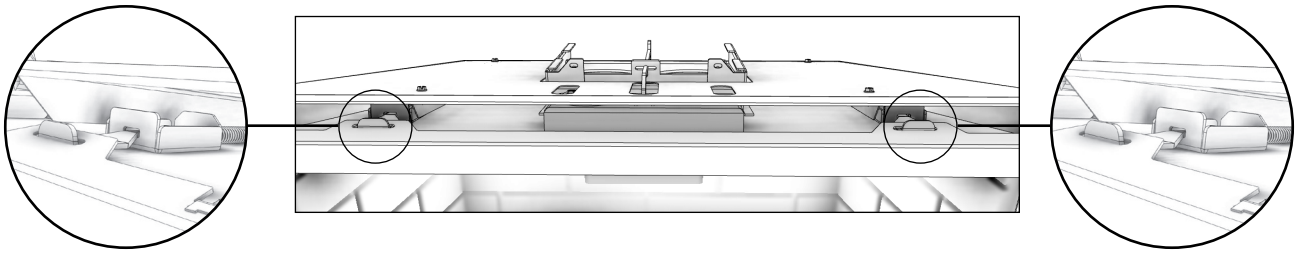
1. Locate (2) spring-loaded latches securing the glass assembly at the bottom of the firebox.



2. Pull the spring-loaded latches out and down to release the bottom of the glass assembly.

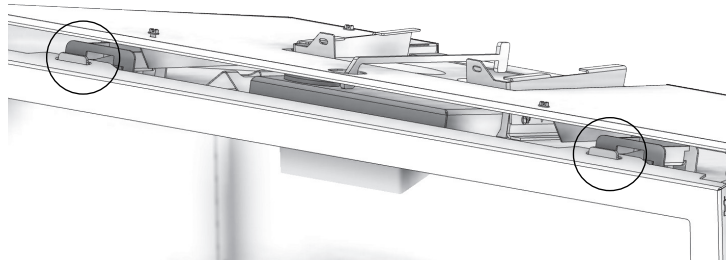


3. Lift glass assembly up and off of the (2) tabs located at the top of the firebox.

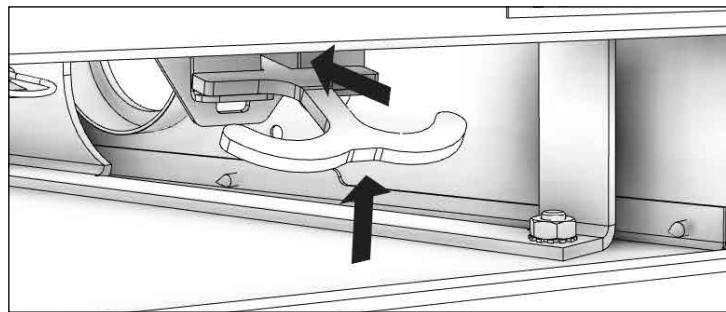


INSTALL GLASS ASSEMBLY

1. Align the slots on top of the glass assembly over the tabs at the top of the firebox while lowering the bottom of the glass assembly into position. NOTE: The glass may have to be tilted in order for the latches to properly hook onto the glass.



2. Pull the spring-loaded latches out and up to secure the bottom of glass to the bottom of the fireplace.



Control Board

WARNING: If burner and/or pilot have been burning, use appropriate protection to avoid burns or damage to personal property before removing any components. DO NOT OPERATE THIS APPLIANCE WITHOUT THE SEALING GASKET (LOCATED UNDER THE CONTROL BOARD) IN PLACE. IF GASKETING IS DAMAGED, IT MUST BE REPLACED.

CAUTION: Check all connections for leaks with soapy water, whether field or factory made.

Electrical Information

ELECTRICAL GROUNDING INSTRUCTIONS

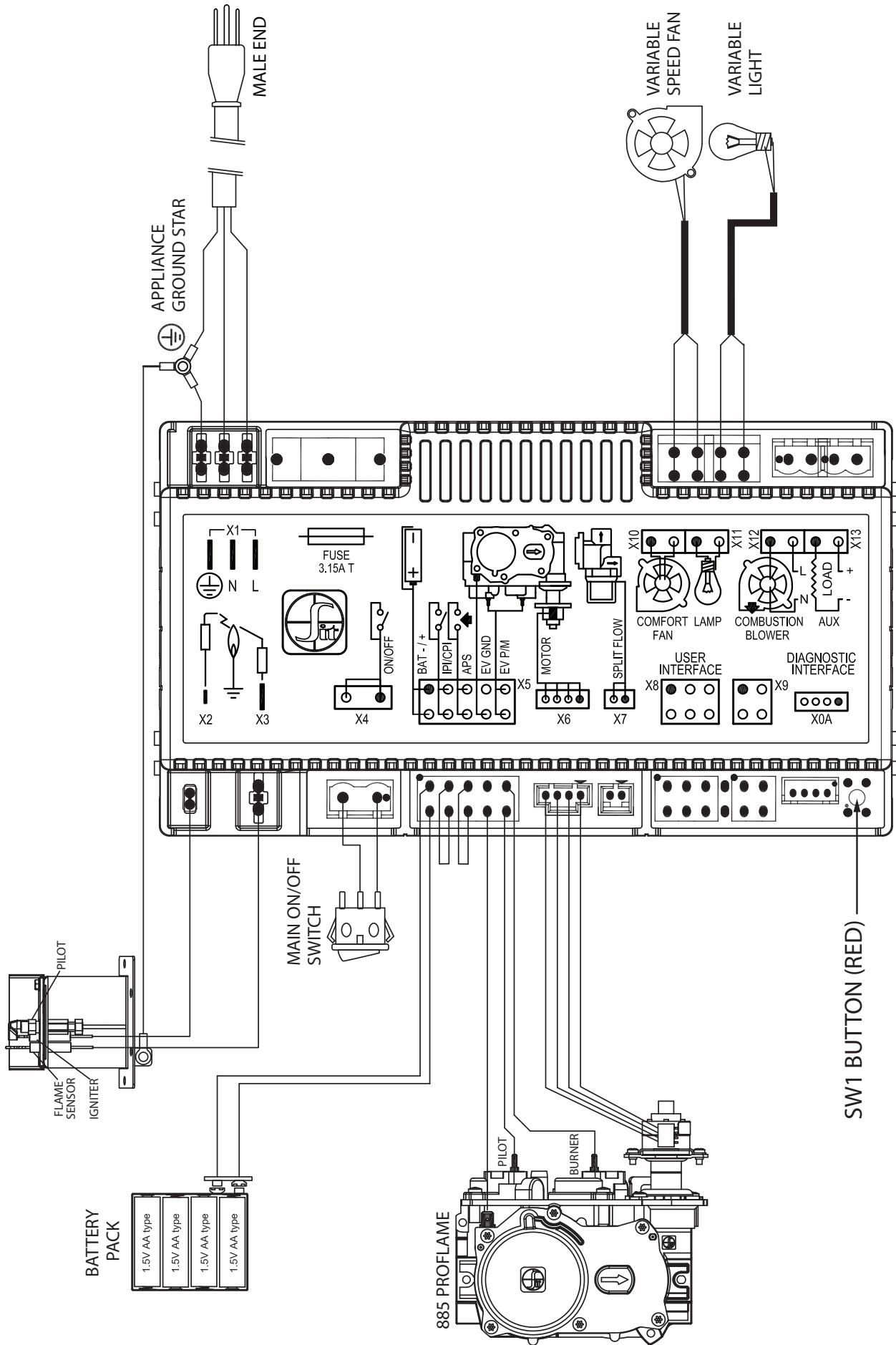
This appliance is equipped with a three-prong (grounding) plug for your protection against shock hazard and should be plugged directly into a properly grounded three-prong receptacle. Do not cut or remove the grounding prong from this plug.

WIRING REQUIREMENTS

- The IFC System Module requires 120V of electricity and/or batteries to operate.
- Using the battery back-up will operate the burner only.
- Light and blower components will not function on battery back up power.

WARNING: Do not use this fireplace if any part has been under water. Immediately call a qualified service technician to inspect this appliance and to replace any part of the control system and any gas control which has been under water.

WARNING: Electrical Grounding Instructions: This appliance is equipped with a three-prong (grounding) plug for your protection against shock hazard and should be plugged directly into a properly grounded three-prong receptacle. Do not cut or remove the grounding prong from this plug.



Replacement Parts And Service

OVER FIRING OF BURNER

Never "over fire" adjusting gas pressure or drilling out the orifice to increase Btu/hr above nameplate specifications. Over firing can cause permanent damage to firebox and deterioration of parts and void warranty.

MAINTAINING CORRECT PILOT-FLAME

The pilot flame must be checked during initial installation and annually by a qualified technician. This fireplace uses flame rectification technology. If the pilot flame is turned down too low, the flame sensor may not detect the pilot flame and the pilot may not stay lit. Do not turn down the pilot flame. The flame sensor rod may be coated with debris after a few months of use. It is important to clean the flame sensor rod using emery cloth if flame rectification problems are encountered after use for a few months. Environmental factors beyond the control of Ashley can cause flame rectification concerns.

HOW TO ACCESS COMPONENTS

The descriptions below show where the main components are located and how to access them for service. The descriptions show how to access the components after the installation. All components are also accessible from the outside of the fireplace before the it is installed.

Pilot: The pilot is in the back left corner of the firebox behind the burner.

Gas Valve: The main gas valve is located in the bottom cavity of the firebox.

Complete Valve Assembly: To make working on components easier, this fireplace has been designed with the valve, pilot, shutter boxes, shutter cables and gas lines as part of one assemble that can be removed.

Ignition Control Module: The ignition control module is mounted in the lower cavity in front of the gas valve. The ignition control module is installed in a box on the floor with an ON/OFF switch.

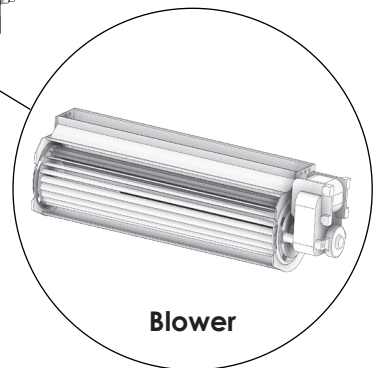
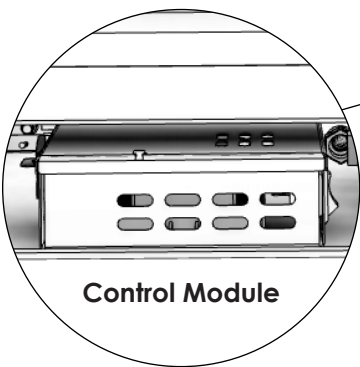
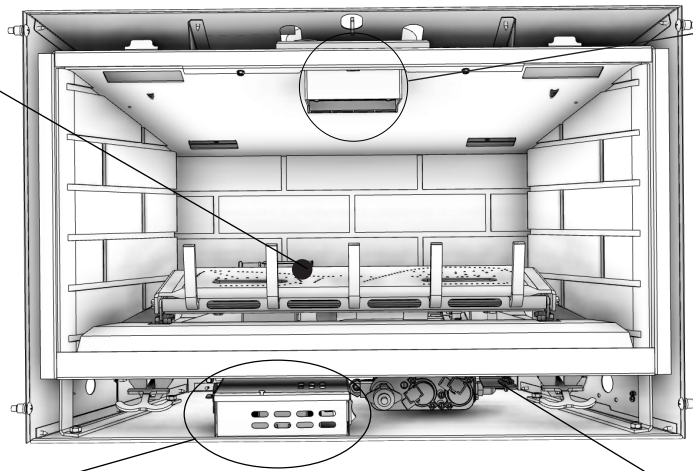
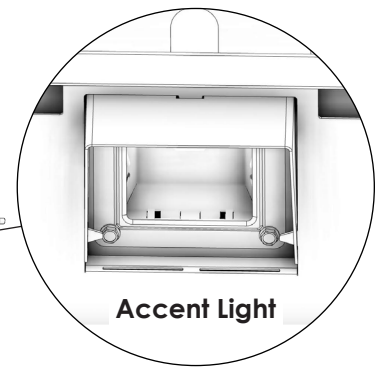
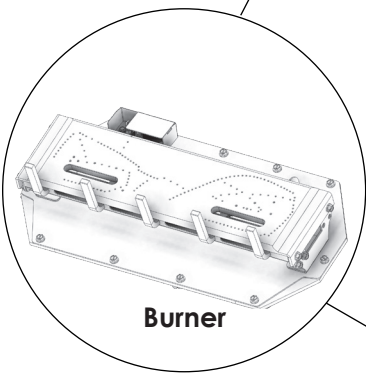
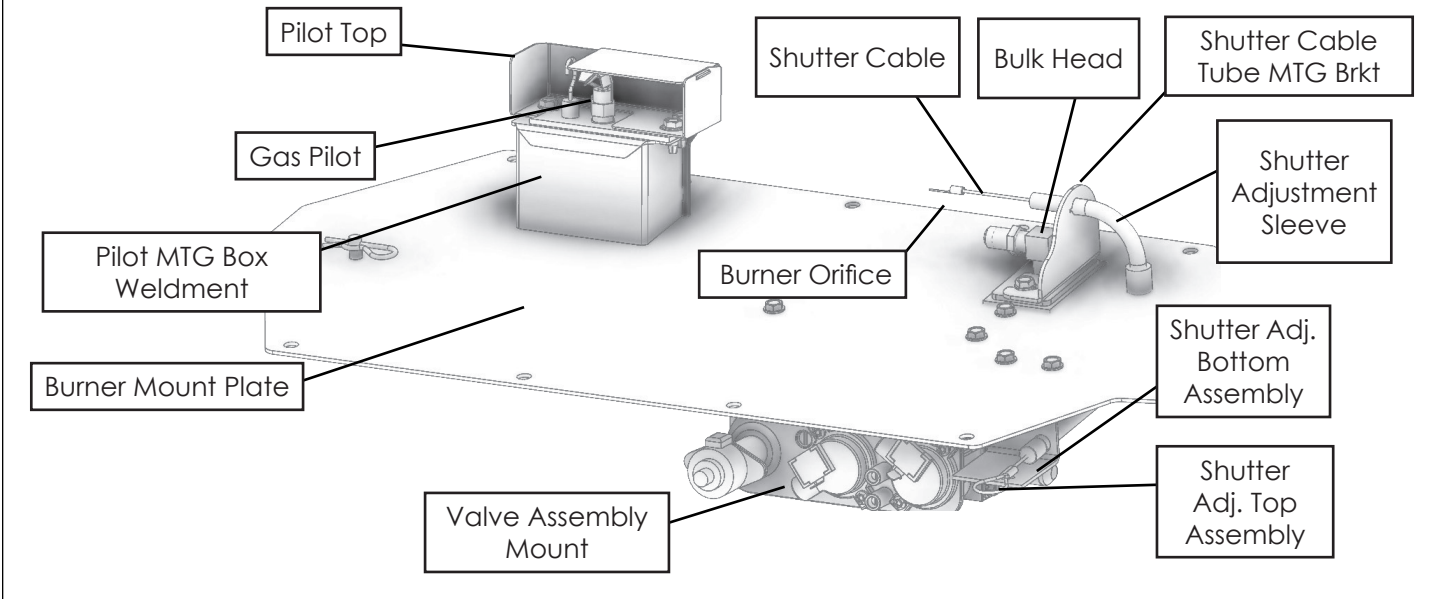
Convection Blower: The convection blower is mounted on the firebox's rear wall behind the control module.

Accent Light: The accent light is mounted in the firebox top center area.

Part No.	Description	Qty.
28337	Burner Shelf	1
28338	Left Liner Tab	2
28339	Right Liner Tab	2
28909	Pass Through Cover	1
610633	Burner Sub Assembly	1
80775	High Temp Light Assembly	1
80766	G9 Base Bulb	1
610693	Co-Linear Air Duct	1
88297	Co-Linear Air Slide Gasket	1
88305	Burner Plate Side Gasket	2
88306	Burner Plate Front And Rear Gasket	2
88307	Light Gasket	1
88309	Pass Through Gasket	2
610685	Glass Door Frame Assembly	1
80709	Blower	1

610981	Control Module Box Assembly	1
28786	Electrical Box Lid	1
80763	IFC Wire Harness, No CPI Switch	1
80772	IFC On/Off Switch Harness, 4"	1
80649	Ground Wire	1
80773	IFC Fan/Light Harness, 11.50"	1
C42373	Rocker Switch	1
28785	Electrical Box	1
610789	Burner Plate Assembly	1
81297	Gas Pilot	1
893032	On/Off Ball Valve	1
610797	Log Retainer Assembly	1
80761	9V Battery Box	1
892978	Inlet Tube Assembly	1
80762	Sit Transmitter (Remote) (Sit #0.584.040)	1

VALVE ASSEMBLY



Installation Checklist

All items on the checklist must be completed.

- The venting system is installed by an approved service person in accordance with instructions and local codes.
- Vertical vent cap is installed "right-side-up" and tightly sealed to the structure per instructions. Vent Caps are approved.
- Proper exterior and interior clearances for vent systems and locations for wall vent cap/roof vent cap are maintained.
- Correct gas pressure, proper size gas lines and gas leaks are checked.
- 120 V electrical service and gas supply is installed in accordance with instructions and local and national codes.
- Telescoping sections are not separated. They were used as complete assemblies.
- Glass door is in proper closed position and centered in firebox opening.

Lighting Checklist

All items on the checklist must be completed.

- Gas leaks and gas pressures prior to installing facing materials is checked.
- Fresh batteries are in remote control. Follow "First-Time Lighting Instructions" to synchronize the remote control and the ignition module.
- Air shutter opening 0" to 1/8" natural gas or 1/8" to 1/4" LP gas is checked.
- All lighting and log installation instructions were followed.
- Burners light immediately and flame runs promptly around burner and lights entire burner. NOTE: Do not proceed with operation unless burner cycles "on/off" without delays.
- Flame is "stable" and does not "liff" off burner. If flame lifts off burner, turn off and check that all vent pipes are "twist locked" and leak proof, the vent cap is "right side up" and that 1000°F sealant has been used on the inner pipe joints of all DuraVent pipe sections. Do not proceed with operation if flame is "lifting off" burner.

Operation Information

USING YOUR REMOTE CONTROL

Your remote control is preprogrammed. Ensure you have installed 3 AAA batteries into your remote.

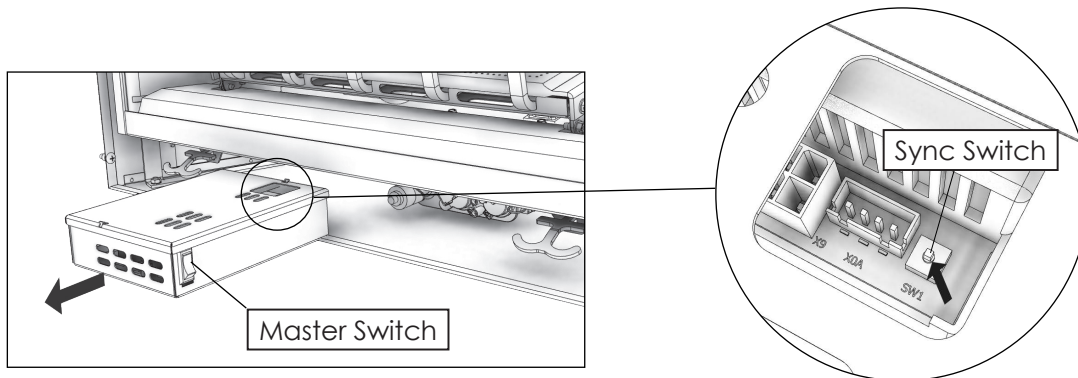
Press the top button on the remote control. If you do not hear a beep when you press this button, follow the instructions below to synchronize your fireplace and remote control.

SYNCHRONIZING THE REMOTE CONTROL

The master switch is located on the bottom left corner. Follow the steps below to synchronize:

1. Toggle the master On/Off switch to "ON" (toggle up). The burners will not ignite unless the master switch is on.
2. Locate sync switch on the ignition module. It is the red button located on the ignition module labeled "SW1". Press the sync button and release. The module will beep 3 times indicating that it is ready to synchronize with a remote control. NOTE: If you do not hear any beeps when you press the sync button, contact your authorized dealer or installer for assistance.
3. Within 7 seconds, press the "ON" button on the remote control. The fireplace will beep to indicate that the remote control's command is accepted and sets to the code of that controller.

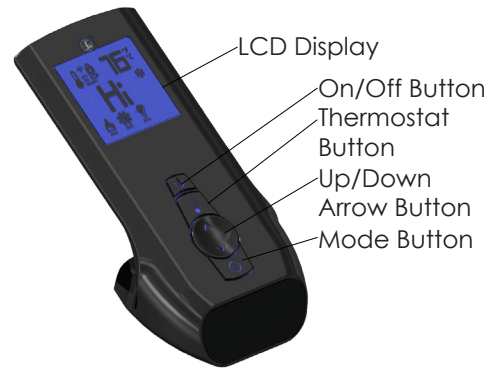
Your system is now synchronized.



REMOTE CONTROL FUNCTIONS

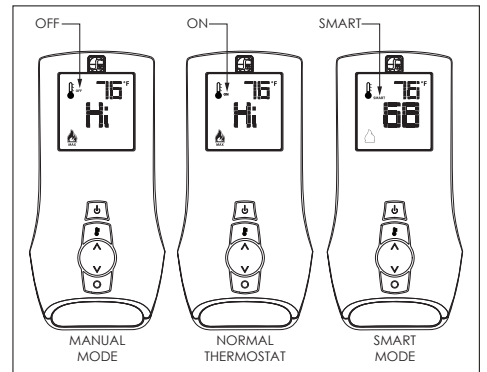
You will hear a beep once every time a remote-control button is pressed, signaling that the command has been received. Locate the four function buttons on the remote control:

1. On/Off Button: This button turns the fireplace on or off. When this button is depressed, and the system is off, the pilot will ignite. After pilot ignition, the pilot will light the main burners. Refer to IPI and CPI Modes in this manual for pilot ignition.
2. Thermostat Button: This button will allow the selection of three modes: Manual, Normal Thermostat, and Smart Thermostat. NOTE: The fireplace will automatically shut off after 12 hours of continuous use.



- a. Manual (Off): In this mode, the fireplace can be turned on, regardless of the room temperature. The actual room temperature has no effect in this mode. All other functions such as fan speed control, flame height control, and accent light intensity controls are manually controllable.

- b. Normal Thermostat (On): Will turn itself on and off, depending on the temperature you set. When you set the thermostat, it will continue heating until the room temperature increases 1°F above the set thermostat temperature. To increase the thermostat temperature, press the up button until the desired temperature is displayed in the thermostat temperature window. The fan will turn on 5 minutes after startup and will turn off 12-1/2 minutes after the flames turn off. The flame height can be adjusted while in use, fan speed can be adjusted after 5 minutes of startup. The accent light can be adjusted any time after startup.



- c. Smart Thermostat (Smart): In this mode, room temperature is maintained, and flame height adjusts automatically to provide continual, efficient heat. All other functions of the normal thermostat mode, except the flame height adjustment, are allowed. Manual flame height adjustment is not allowed in this mode. The Smart Thermostat function adjusts the flame height in accordance to the difference between the set point temperature and the actual room temperature. As the room temperature gets closer to the set point temperature, the Smart Thermostat automatically modulates the flame down.

3. Up/Down Button: This button is used to increase or decrease the thermostat temperature, flame height, fan speed, and accent light intensity.
4. Mode Selection Button: This button is used to toggle between the various function icons: flame height, fan speed, accent light, and rear burner (certain models).

AUTOMATIC SAFETY RESTART

This system will execute an automatic turn off command within (24) hours of a continued pilot flame ignition. This allows the system to verify correct safety functions. After the turn off sequence is completed, the ignition module will re-execute the latest command.

TURN ON FUNCTION

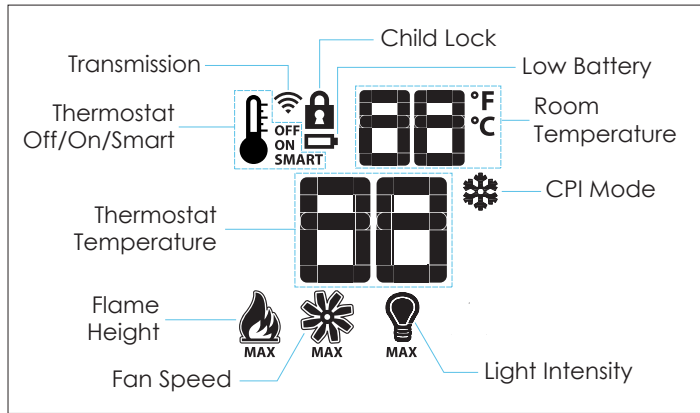
5. Press the on/off button. The remote-control display will show all active icons on the screen.
6. Select the thermostat mode by pressing the thermostat button: OFF (meaning Manual), ON (meaning Normal Thermostat) or Smart (meaning Smart Thermostat).
 - a. If the thermostat icon displays as "OFF" (Manual), it will ignite and start on Hi.
 - b. If the thermostat icon displays as "ON" (Normal Thermostat), it will only ignite if the thermostat temperature is greater than the room temperature.
 - c. If the thermostat icon displays as "SMART" (Smart Thermostat), it will only ignite if the thermostat temperature is greater than the room temperature.

TURN OFF FUNCTION

Press the on/off button.

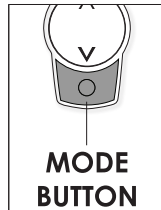
UNDERSTANDING YOUR REMOTE-CONTROL ICONS

Your remote control displays and controls the following functions. See below for detailed control icon explanations.



ICON DETAILS

Mode Button: Pressing the mode button toggles between the various available functions: flame height, fan speed, accent light intensity and rear burner on/off.

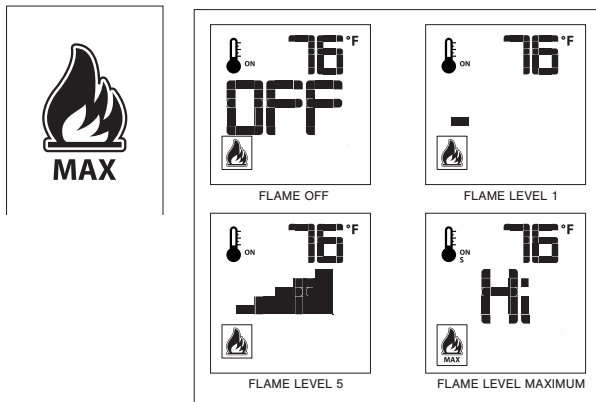


Flame Height: Six flame height levels are available. While the flame height icon is displayed, pressing the up or down button once will increase or decrease the flame height by 1 of 6 levels.

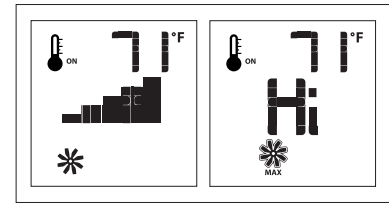
If the flame height is at Level 1 and the down button is pressed, all burners will turn off.

If in IPI mode, the pilot will also extinguish.

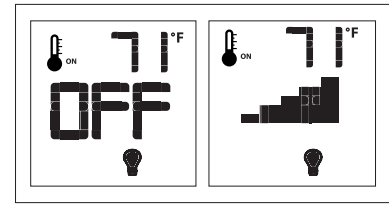
If in CPI mode, the pilot will remain on.



Fan Speed Control: The fan speed can be adjusted through 6 speeds and off. To activate this function, press the Mode button until it displays the fan icon. Use the up/down arrow button to turn on, off, or adjust the fan speed. Once you set the desired fan control, the system will remember your selected fan speed until you manually change it.



Accent Light: This function controls the accent light functions. Pressing the up button in this mode will turn on the accent light and allow you to control the 6 levels of intensity. Once you set the desired light level, the system will remember your selection until you manually change it.



IPI AND CPI MODES

Intermittent Pilot and Continuous (Standing) Pilot Features - First lights a pilot then uses the pilot to ignite the main burners. The pilot can be set in the CPI (Continuous Pilot Ignition) mode to allow the pilot to remain on indefinitely by setting the remote control to CPI mode. If the remote control is set to the IPI (Intermittent Pilot Ignition) mode, the pilot will only light and remain ON while the main burners are operating.

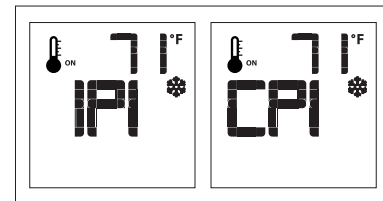
IPI Mode: This mode turns the pilot off when not in use and only lights the pilot automatically when a call for heat is made by the remote control.

CPI Mode: If set to CPI mode, the pilot will ignite and remain on at all times.

SETTING TO IPI OR CPI MODE

With the remote control off, press the MODE button. You will see either "CPI" or "IPI" displayed on the screen. Press the UP arrow button to set "CPI" mode and press the down arrow button to set "IPI" mode. Once set to the desired setting, press On/Off button to activate.

Recommended: Keep in CPI mode. While not mandatory, this will keep the chimney heated for proper updraft during burner ignition, and it will also eliminate excessive condensation of exhaust vapors on the door glass.



Leaving it in CPI mode will keep the body warm and eliminate cold drafts and heat loss to the cold air that is trapped inside the firebox.

First-Time Lighting Instructions

WARNING:
WHAT TO DO IF YOU SMELL GAS

- Do not light any fireplace.
- Do not touch any light switch
- Do not use any phone in your building.
- Call your gas supplier from a neighbor's phone.
- Follow the provider representative's instructions.
- If you cannot reach your gas supplier, call the fire department for assistance.

WARNING: If you do not follow these instructions exactly, a fire or explosion may result causing property damage, personal injury, and loss of life.

SAFETY INFORMATION

- This fireplace is equipped with an ignition device which automatically lights the pilot. Do not attempt to light pilot by hand.
- Before operating, smell all around the area for gas. Be sure to smell next to the floor because some gas is heavier than air and will settle on the floor.
- Toggle master switch to on. The burners will not ignite unless the master switch is on.
- Use only the supplied remote control to light the pilot. This valve will not operate if the pilot is not lit and stable.
- Do not use if any part has been underwater. Immediately call a qualified service technician to inspect and replace any component which has been under water. Attempted operation may result in fire or explosion resulting in property damage, personal injury, and loss of life.

OPERATING INSTRUCTIONS

1. Read the above safety information carefully before proceeding.
2. Do not attempt to light the pilot by hand; the door must remain on this fireplace during pilot ignition, except for the first time lighting.
3. Press the On/Off button on remote control to begin the ignition sequence.
4. There will be an audible beep and then the igniter will begin to spark. After the pilot lights and is established, the valve will automatically open and the burner will light. The burner will initially light to full flame. Adjust it to an appealing setting with the remote (see "Remote Operating Instructions" in this manual).

WARNING: If the pilot fails to light, the system will "lockout". Press On/Off button on remote control to turn off the system. Allow five minutes for any gas to dissipate before attempting to re-light the pilot.

5. Press On/Off button on remote control again to start ignition sequence.
6. If it will not operate, follow the instructions "Turning Off" section and call your service technician or gas supplier.


TURNING OFF

1. Press the On/Off button on the remote control.
2. Turn off the external manual shutoff valve supplied by installer and mounted adjacent to the fireplace.
3. Turn off all electric power to the fireplace if service is to be performed.

Frequently Asked Questions

WHERE CAN I FIND THE MODEL AND SERIAL NUMBERS?

NOTE: This image is only an example. The label on the actual unit will vary slightly. When requesting service, you will be asked to provide the model number, serial number, and manufacture date to your authorized dealer. This information will expedite the warranty verification process. This is an example of your listing label:



Serial No. / N° de série: [REDACTED] Mfg Date. / Date de Fabrication: [REDACTED]

DO NOT REMOVE OR COVER THIS LABEL

Model / Modèle: AG26i
 Certified to / Certifié: ANSI Z21.88-2017 / CSA 2.39-2017; CSA 2.17-2007, CAN/CSA-P4-1-2015

Gas Supply / Pressions des Tuyaux / Pressions de Gaz et Pressions de Chauffage	Natural Gas / Gaz Naturel	LP Gas / Gaz Propane
Efficiency Per / Efficacité par CSA P4-1-15	65%	65%
Minimum Inlet Pressure / Pression de gaz à l'entrée (Min.)	5.0" WC (1.25 kPa)	12.0" WC (2.74 kPa)
Maximum Inlet Pressure / Pression de gaz à l'entrée (Max.)	10.5" WC (2.61 kPa)	14.0" WC (3.48 kPa)
Max Input BTU/h (kW) / Puissance de chauffage (Max.)	18,000 BTU/h (5.42 kW)	17,000 BTU/h (4.98 kW)
Min Input BTU/h (kW) / Puissance de chauffage (Min.)	10,000 BTU/h (2.93 kW)	9,000 BTU/h (2.64 kW)
Manifold Pressure / Pression admission	3.0" WC (0.95 kPa)	11.0" WC (2.74 kPa)
Orifice Size (DMS) / Dimension de l'Orifice (DMS)	#45	3/64"

VENTED GAS FIREPLACE HEATER
NOT FOR USE WITH SOLID FUEL - THIS APPLIANCE IS MANUFACTURED AS NATURAL GAS.

This vented gas insert heater is not for use with air filters. This appliance is only for use with the type of gas indicated on the rating plate and may be installed in an aftermarket, permanently located, manufactured home (USA only) or mobile home, where not prohibited by local codes. See owner's manual for details. This appliance is not convertible for use with other gases, unless a certified kit is used.

This appliance must be installed in accordance with local codes, if any; if none, follow the National Fuel Gas Code, ANSI Z223.1/NFPA 54, or Natural Gas and Propane Installation Code, CSA B149.1.

WARNING: Improper installation, adjustment, alteration, service or maintenance can cause injury or property damage. Refer to the owner's information manual provided with this appliance. For assistance or additional information consult a qualified installer, service agency or the gas supplier. This fireplace insert is approved for installation in masonry and factory-built zero clearance solid burning fireplaces. FOR USE WITH GLASS DOORS CERTIFIED WITH APPLIANCE ONLY.

WARNING: Failure to install this appliance per the manufacturer's instruction or failure to use parts specifically approved with this appliance may result in property damage or personal injury.

This appliance equipped only for altitudes:
 U.S.A.: 0-2,000 ft. (0-610 m)
 Canada: 0-4,500 ft. (0-1,372 m)

For Natural Gas when equipped with #45 drill size orifice, for Propane Gas when equipped with 3/64" drill size orifice. Orifices and instructions necessary for propane gas conversion are provided with the kit # AG26LPC.

This appliance must be properly connected to a venting system in accordance with the manufacturer's installation instructions. If the vent-air intake system is disassembled for any reason, reassemble per instructions with initial installation.

SAFETY BARRIERS:
 For use only with barriers part numbers: 611010. Follow installation instructions accompanying the appliance.

REPLACEMENT FAN KIT:
 Part No. 80709 fan or blower assembly must be used.
 Rating: 120 Volts, 50/60 Hz, 1.3 Amps.

FOYER ENCASTRABLE À GAZ À ÉVACUATION
N'utiliser aucun combustible solide. Cet appareil est équipé pour fonctionner au gaz naturel.

Ce foyer à gaz à évacuation ne doit pas être utilisé avec les filtres à air. Cet appareil ne doit fonctionner qu'avec le type de gaz spécifié sur la plaque signalétique et peut être installé dans une maison préfabriquée (États-Unis seulement) ou une maison mobile installée en permanence, là où les codes locaux le permettent. Voir le manuel d'installation du foyer pour les détails. Cet appareil ne doit pas fonctionner avec un autre type de gaz, à moins d'installer un kit de conversion de gaz certifié.

Cet appareil doit être installé selon les codes locaux s'il y en a, à suivre le National Fuel Gas Code, ANSI Z223.1/NFPA 54, ou le Code d'installation du gaz naturel et du propane, CSA B 149.1.

AVERTISSEMENT: Une installation ou non-conformité d'installation, d'entretien, d'entretien ou de réglage de cet appareil peut causer des blessures et/ou dommages matériels. Voir le manuel d'installation et d'entretien fourni avec cet appareil. Pour de l'aide ou de l'information supplémentaire, consultez un installateur, une agence d'entretien ou le fournisseur de gaz. Cet insert de cheminée est approuvé pour une installation dans des foyers à combustion masonry et éjectés non convertis en usage. POUR L'UTILISATION UNIQUEMENT AVEC LES PORTES EN VERRE CERTIFIÉES AVEC L'APPAREIL.

AVERTISSEMENT: le fait de ne pas installer cet appareil conformément aux instructions du fabricant ou de ne pas utiliser de pièces spécifiquement approuvées avec cet appareil peut entraîner des dommages matériels ou des blessures.

Cet appareil est équipé pour fonctionner aux altitudes suivantes:
 États-Unis: 0 à 2000 pieds (0 à 610m)
 Canada: 0 à 4500 pieds (0 à 1372m)

Convertir au gaz propane quand l'appareil est muni d'un injecteur de diamètre #45. Convertir au gaz naturel quand l'appareil est muni d'un injecteur de diamètre 3/64po. Pour le convertir au gaz propane (GPL), suivez les instructions fournies avec les kit de conversion # AG26LPC.

Cet appareil doit être correctement raccordé à un système d'évacuation, conformément aux instructions de l'installateur. Vérifiez et consultez le manuel d'installation du foyer, pour les exigences complètes du conduit d'évacuation.

ÉCRANS PARE - ÉTINCELLES:
 À utiliser uniquement avec des barrières Numéros de pièces: 611010. Suivez les instructions d'installation accompagnant l'appareil.

KIT DE REMPLACEMENT DU VENTILATEUR:
 L'ensemble de ventilateur (pièce n° 80709) doit être utilisé.
 Caractéristiques Électriques: 120 volts, 60 Hz, 1.3 ampères.

United States Stove Company
 227 Industrial Park Road • South Pittsburg, TN 37380 • Phone: (603) 750-2723 • Web: www.usstove.com

Report # F18-426 8537968

WHAT HAPPENS WHEN FIRST LIT?

There is a curing period. This can include a small amount of smoke and odor. This is normal. Curing steps include:

Step 1: Expelling Initial Smoke and Odors

- Complete the installation of any surround, front, doors, or safety screen.
- Turn on in the Manual (Off) thermostat mode.
- Set the flame height to Hi.
- Set the fan speed control to Level 2.

CAUTION: It is important that the blowers are on during this step to prevent the curing smoke from staining the surrounding wall finish. Complete Step 1 prior to installation of wall finish materials. Visible smoke and odor is expected during this step. If desired, disable smoke alarms before this step. Smoke from the initial cure may set off smoke alarms. Open doors and windows to circulate fresh air.

- Run with these settings for a minimum of 3 hours. Then turn off and let it cool.

Step 2: High Heat Curing Cycle

- Turn on in the manual (Off) thermostat mode.
- Set the flame height to Hi.
- Set the fan speed control to Off.
- Run it with these settings for 8 continuous hours or until curing odors have diminished.
- When odors have diminished, leave on and continue below.
- Set the fan speed control to Level 1.
- If any new curing odors are detected, continue to run this setting until the curing odors have diminished.

CAUTION: Slight odors may still be noticeable on future startups. These will diminish over time with further use.

ADDITIONAL CURING INFORMATION

It is not unusual to require more than 10 continuous hours on high for curing odors to diminish. There are variables that can extend or shorten the curing time, such as decorative fronts, doors, facing materials, and their applications. It is normal for surrounding surfaces to be too hot to touch. Provided that all clearances and R-value requirements in the installation manual have been met, this is not a safety concern. Be aware that any material used around the fireplace will heat up and has the potential to cause odor issues. Adhesives, glue, wall substrate, wall finish material, paints, and polishes are common materials that if used incorrectly will cause odor issues. Ashley is not responsible for any odor issues caused by materials used. If you have any additional questions or concerns, contact your authorized dealer or email service @ www.usstove.com.

CAN I OPERATE DURING POWER OUTAGES?

This electronic ignition system uses the supplied 120VAC power when it is available for all functions of this system. If you experience a power outage, insert 4 AA batteries into battery pack located in the ignition module box. During the power outage, the burner will function as well as the flame height adjustment. The fan and accent light, which are dependent on 120VAC power, will not function. Your installer should demonstrate the backup DC power pack during power outages. Be sure to retain the DC battery pack and the connecting harness in a safe and secure place for use during power outages.

WHAT IS THE REQUIRED ANNUAL MAINTENANCE?

NOTE: Any adjustments to burner, pilot, or logs must be done by a qualified authorized service person. The following procedures must be performed each year by a qualified service person. Recommended steps for yearly maintenance:

1. Remove logs and coals and clean away any foreign matter (lint, carbon, etc.) on the burner and logs. Be sure the burner ports are "open". Clean the pilot and under side of the logs for any carbon deposits. Logs should be visually checked for carbon buildup. If carbon deposits are visible on logs, turned off and contact an authorized service person. Be sure logs are re-installed per instructions.
2. Clean all lint and dust build-up around the control. Inspect the condition of any wiring under the burner for melting or damage. Clean flame sensor rod/hook using emery cloth. Vacuum all burner ports and pilot assembly.
3. Check condition of glass door gasket, the gasket must seal tightly over firebox, Inspect gasket along top and sides of glass. If gasket at corners of glass are bulging outward or if gasket bulb along top edge or sides are discolored to a white color appearance through the whole thickness of the gasket bulb, then replace the gasket. White colored gasket bulb indicates exhaust leak through the discolored area and requires replacement of the glass gasket.

HOW DO I CLEAN THE GLASS?

The glass should be cleaned periodically.

CAUTION: Do not use oven cleaner or ammonia-based products to clean glass. Clean the glass only when it has cooled to room temperature.

To clean glass surface, use Kel Kem Polish or a comparable product. Do not use oven cleaner or abrasive cleaners to clean glass. Do not clean when glass is hot.

CAUTION: Additives that are put in gas (both natural and LP) to make it smell can be harmful to glass and can leave a white film deposit on the glass. This deposit can be removed with cleaners such as KEL KEM "Polish Plus" or comparable product. Contact your authorized dealer for more information.

IS MY FLAME APPEARANCE CORRECT?

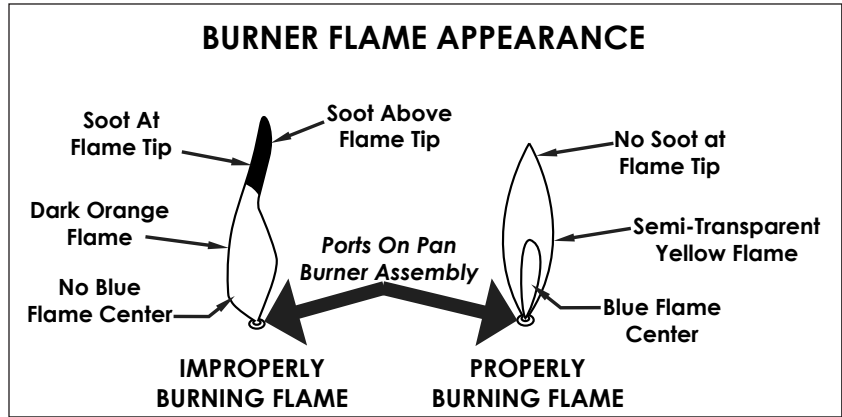
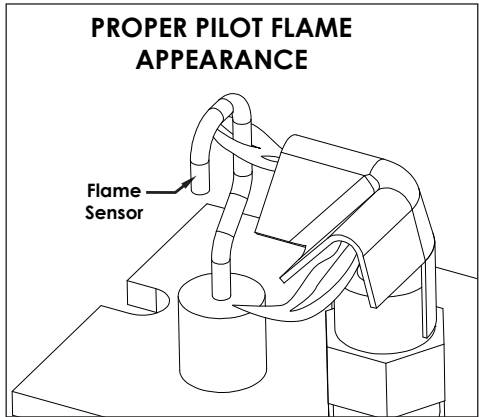
There are air shutters and media that can be adjusted depending on your fuel and venting configuration. These adjustments should be made by a qualified technician to achieve the best flame appearance. Contact your installer or authorized dealer if you feel it is not burning correctly. Improper setup and adjustment is not covered under warranty.

Follow these steps for periodic inspections:

1. Check to verify that the vent system and vent cap are open and free of blockage.
2. The glass should be cleaned periodically.

- Before re-installing glass, have qualified service person check the operation of the pilot and cycle the burner per lighting instructions. Be sure all items in lighting and installation checklists are completed.
- Periodic visual check of pilot flames is required. Pilot flame must overlap flame sensor and burner ignition ports always. Especially for LP gas applications, always verify visible pilot flame length is at least 1" long.
- Periodic visual check of the burner flame is required.

Flame Characteristic	Cause	Solution
Dark, orange flame with black tips	Venturi closed too far	Open venturi slightly
Short, blue flames	Venturi open too far	Close setting slightly
Lifting (ghosting) flames	Gas pressure too high Venturi closed too far	Check manometer settings Open venturi setting slightly



WHAT SHOULD I DO IF SOOTING OCCURS?

Sooting is caused by improper installation or air shutter operation. However, some small areas of soot deposits on log surfaces are deemed acceptable. If you observe large soot areas (larger than 1"x1") on log surfaces or signs of sooting on the door glass (usually a thin black film on the viewing glass or on the outside of the home around the vent cap), turned off immediately and the local authorized dealer promptly informed. Authorized dealers will correct "sooting" problems, but they are not responsible for damage caused by excessive sooting that has not been immediately brought to their attention.

Troubleshooting Soot		
Issue	Possible Causes	Corrective Action
Thin black coating (soot) forms on viewing glass	<ul style="list-style-type: none"> Incorrect gas pressure Not enough combustion air Leaking glass gasket Vent obstruction 	Have gas supplier check for correct gas inlet pressure. Check the glass gasket for proper seal. Corners of glass gaskets cannot be bulging out. If glass gasket along the top edge in the middle is white in color across entire thickness of gasket bulb, replace glass gasket. If sooting continues, open air shutter on burner. If sooting continues, shut off and call an authorized service person.

HOW DO I CHANGE FROM °C TO °F ON MY REMOTE?

To change between °C to °F, follow these steps:

- Press the ON/OFF button and turn off.
- Simultaneously, press both the mode button and the thermostat button.
- Look at the LCD display to verify that your desired indicator (°F or °C) is being displayed. If not, repeat Step 2.

HOW DO I SET THE CHILD-LOCK MODE?

To prevent unsupervised children from operating, a child-lock function is provided with this remote-control system. To activate the child-lock function: Simultaneously press the "MODE button" and the "UP button".

To deactivate the child-lock function: Simultaneously press the "MODE button" and the "UP button".

During the child-lock mode, none of the remote-control buttons will function. You must deactivate the child-lock function before you can use the remote control.

CHANGING THE BATTERIES IN MY REMOTE CONTROL?

When the remote-control batteries are low, a battery icon will appear on the LCD display of the remote control before all battery power is lost. When the batteries are replaced, this icon will disappear.

WHY DID MY THERMOSTAT DISAPPEAR FROM MY REMOTE?

When reinstalling batteries, the thermostat may have been pressed while the batteries were changed. To make your thermostat reappear, follow these steps:

1. Remove one battery.
2. Press and hold the thermostat button on the remote.
3. Reinstall the battery while holding the thermostat button down.
4. If you see "set", the thermostat button is now enabled.
5. If you see "clear", the thermostat button is disabled.
6. Repeat this procedure if you did not see "set" or "clear" to add/remove the thermostat option.

WHY WON'T IT TURN ON?

If your remote control is working, but your fireplace won't turn on, it may be in "lockout" mode. To reset a lockout follow these steps:

1. Turn off remote.
2. Turn on remote and wait 2 seconds.
3. Turn off remote and wait 2 seconds.
4. Turn on remote and wait 2 seconds.
5. Turn off remote.

This should clear the lockout mode. Turn on the remote and start the fireplace. Ensure the master switch is in the "ON" position. If the lockout mode is still on, follow these steps:

1. Turn off the remote.
2. If you see the snowflake icon, press the Mode button and toggle it to IPI mode.
3. Shut off AC power to the ignition control module (shut off breaker).
4. Toggle master switch to off. Wait 30 seconds.
5. Turn on AC power by turning on breaker.
6. Turn on remote, then turn off remote.
7. Toggle master switch back on.
8. Press Mode button on remote. Select CPI mode to reignite the pilot. After pilot lights, turn on your remote to ignite.

After completing these steps, contact your authorized dealer if it won't turn on.

Adjustment

PRESSURE TESTING

NOTE: The fireplace and its main gas valve must be disconnected from the gas supply piping system during any pressure testing of the system at test pressures in excess of 1/2 psi (3.5 kPa).

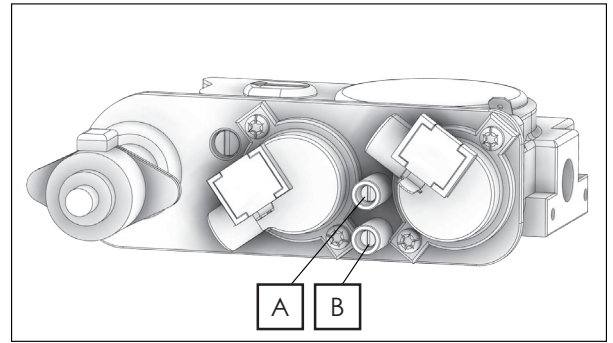
CAUTION: Pressure check taps for manifold (outgoing) and inlet (incoming) pressure have been incorporated into the valve. The pressure tap marked OUT measures outgoing pressure. The pressure tap marked "IN" measures incoming pressure.

INLET PRESSURE TEST

NOTE: Make sure to apply these incoming pressure test with all other gas fireplaces on, or at full capacity in the house for proper pressure reading.

CAUTION: If the inlet pressure reading is too high or too low, contact the gas company. Only a qualified gas service technician should adjust incoming gas pressure.

1. Loosen the inlet (IN) pressure tap by turning screw counterclockwise. See (A).
2. Attach manometer using a 1/4" (6 mm) I.D. hose. Light pilot and burner. Check pressure to ensure it is between the minimum and maximum recommended pressure settings.
3. Turn off burner and pilot.
4. Disconnect hose and tighten the inlet (IN) pressure tap by turning screw clockwise. Screw should be snug. Do not over tighten.
5. Relight pilot and burner. Then reattach manometer to the inlet pressure tap (A) to verify the tap is completely sealed. Manometer should read no pressure.



MANIFOLD PRESSURE TEST

1. Light pilot.
2. Loosen manifold (OUT) pressure tap by turning screw counter-clockwise. See (B) in Figure 11.1.
3. Attach manometer to pressure tap using a 1/4" (6 mm) I.D. hose.
4. Light burner. Check manometer reading.
5. Turn burner and pilot off.
6. Disconnect manometer hose and tighten the manifold (OUT) pressure tap by turning screw clockwise. Screw should be snug. Do not over tighten.
7. Attach the manometer to the manifold pressure tap (B) to verify it is completely sealed. The manometer should read no pressure when pilot and burner are on.

Inlet Pressures		
Fuel	Natural Gas	LP Gas
Gas Supply	Min - Max	Min - Max
Inlet Pressure Tap (A)	5" - 10.5" WC (1.25 - 2.62 kPa)	12" - 14" WC (2.99 - 3.48 kPa)

Manifold Pressure		
Fuel	Natural Gas	LP Gas
Gas Supply	Low - High	Low - High
Manifold Pressure Tap (B)	1.1" - 3.8" WC (0.27 - 0.95 kPa)	2.9" - 11" WC (0.72 - 2.74 kPa)

BURNER FLAME ADJUSTMENTS

WARNING: To avoid property damage or personal injury, allow ample time to cool before making any adjustments.

Burner flame appearance and characteristics are affected by altitude, fuel quality, venting configuration, and other factors. After installation, additional adjustments may be required to achieve optimum flame appearance and visual aesthetics.

GAS FLAME ADJUSTMENT

WARNING: VENTURI ADJUSTMENT MUST BE DONE BY A QUALIFIED SERVICE TECHNICIAN.

During the initial installation, the air shutter opening should be checked to be certain that the shutter is set correctly at 0" to 1/8" natural gas or 1/8" to 1/4" LP gas. NOTE: For altitudes above 5,000 ft., some variations may be required.

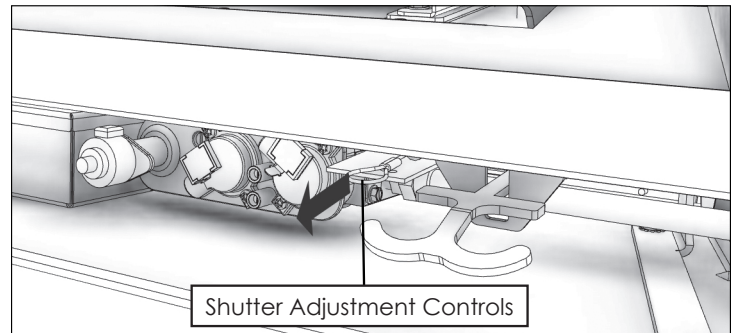
Be sure burner and logs are properly installed. After burner has been properly installed and operated for 2-3 hours, small additional adjustments to the air shutter may be necessary for final flame appearance. These small shutter adjustments can be made by the following procedure. NOTE: Very small changes in shutter settings make major changes in flame appearance.

1. Air shutter controls are located at the bottom of the fireplace next to the valve assembly.

- If flame is too "blue," push the air shutter knob in (close) in small 1/8" increments until flame turns desired realistic "orange" color.
- If flame is too "orange" or is causing sooting on viewing glass, pull air shutter knob out (open) in approx. 1/8" increments until sooting stops.

CAUTION: Try each new shutter setting approx. 1/2 hr. before making additional changes. Changes in burner flame can be made by re-arranging the media.

Factory Set Venturi Openings	
Fuel	Air Shutter Opening
Natural Gas	1/8" (4 mm) OPEN
LP Gas	1/4" (7 mm) OPEN



Troubleshooting

Before proceeding with the steps in the following troubleshooting guide,

- Verify proper 120VAC power supply to the control module.
- Verify the control module battery pack and the remote control batteries are fresh and installed with correct polarity.
- Verify all connections between the wire harnesses and the system components are proper and positive.
- Verify the communication link is established between the remote control and the ignition module.
- Verify inlet pressure meets the recommended inlet pressure.

If necessary, adjust line pressure regulator.

Issue	Cause	Solution
Pilot will not light	Electrical power interrupted or disconnected	Restore electrical power to fireplace or use battery back-up.
	Wiring disconnection	Ensure batteries are fully charged if using battery back-up as power source. Use wiring schematic in this manual to determine that all wiring connections are secure and correct.
	Gas supply turned off	Check remote shut-off valves from the fireplace. Usually there is a valve near the main gas line. There may be more than (1) valve between the fireplace and main gas line.
Pilot will not stay lit	No LP (propane) gas in tank	Check LP (propane tank). Refill if necessary.
	Low gas pressure	Consult a plumber or a gas supplier. Can be caused by situations such as a bent line, too narrow diameter or pipe, or a low line pressure.
	Pilot flame not making contact with the flame rectification sensor on the pilot assembly	Verify the pilot flame envelopes the top of the flame sensor and extends far enough onto burner for ignition. To adjust pilot flame, turn pilot adjustment screw on the gas valve clockwise to decrease flame, and counterclockwise to increase flame.
	Pilot adjustment screw not sealed	Seal pilot adjustment screw. Do not over-tighten.
Pilot flame always on, or will not extinguish	Control system set to CPI mode	Set control system to IPI mode.

Main burner flame will not light	ON/OFF rocker switch in OFF position	Gas supply turned off Check
	Gas supply turned off	Check for multiple shut-offs in the supply line. Verify gas supply is turned on.
	Low gas supply	Consult with plumber or gas supplier. Check LP (propane) tank. Refill if necessary.
	Wiring disconnection or improper wiring	Check for faulty or incorrect wiring.
	Plugged main burner orifice	Remove blockage.
	Pilot flame	Verify the pilot flame is properly directed to ignite burner. See pilot flame troubleshooting above.
	Remote control not working properly	Replace batteries.
	No call for heat	Verify remote control is powered ON and thermostat operation is turned OFF.
Pilot and burner extinguish while in operation	No LP (propane) gas in tank	Check LP (propane) tank. Refill if necessary.
	Incorrect glass assembly installation	Refer to Glass Frame Assembly Section
	Incorrect vent cap installation	Adjust if necessary.
	Vent cap blockage	Remove debris if necessary.
	Improper pitch on horizontal venting	1/4" (6 mm) rise per foot (30 cm) is required on horizontal venting
	Exhaust vent pipe leaking exhaust gases back into firebox	Check for leaks and repair if necessary.
	Excessive draft	A restrictor may need to be installed or modified.
Soot appears on glass	Improper log placement	Refer to Log Set Installation section.
	Improper venturi setting	Venturi air shutter may need to be opened slightly to allow more air into the gas mix. Refer to Burner Venturi section.
	Incorrect vent cap installation	Adjust if necessary.
	Vent cap blockage	Remove debris if necessary.
Flame burns blue and lifts off burner	Improper venturi setting	Venturi air shutter may need to be opened slightly to allow more air into the gas mix. Refer to Burner Venturi section.
	Incorrect vent cap installation	Adjust if necessary.
	Blockage or leakage of the vent system	Check the vent pipes for leaks, and the vent cap for debris. Repair the vent pipes or remove debris from vent cap, if necessary.
No reaction to command	Battery back batteries or remote control batteries low	Replace batteries.
	No communication between remote control and ignition module	Reprogram remote control to the ignition module.
	A maximum number of failed ignitions or flame restorations has been reached	Reset ignition module.

CAUTION: Installation and repair shall only be done by a qualified service person. The fireplace should be inspected before use by a qualified service person. It is required to be inspected at least once a year by a professional service person.

WARNING: The fireplace area must be kept clear and free from combustible materials, gasoline and other flammable vapors and liquids.

BURNER AND PILOT SYSTEM

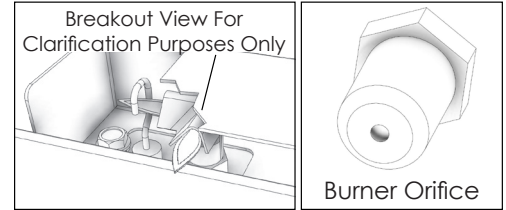
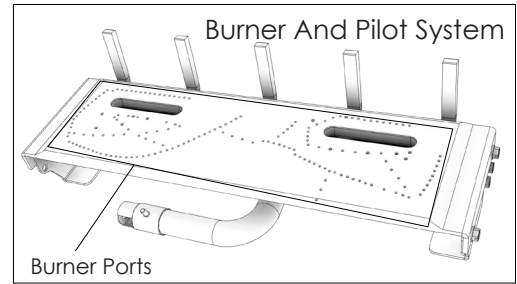
The burner assembly may be removed for easier access to the control compartment.

Performed by: Qualified Service Person

Frequency: Annually

Action:

- Vacuum all components of the burner system.
- Visually check burner ports for blockage, especially near the pilot.
- Visually check pilot light and burner flame pattern when in operation. Flames should be steady, not lifting or floating.



FAN

CAUTION: Label all wires prior to disconnection when servicing controls. Wiring errors can cause improper and dangerous operation. Verify proper operation after servicing.

Performed by: Qualified Service Person

Frequency: Every 6 months

Action:

- Disconnect the fans from electrical current and vacuum.
- The bearings are sealed and require no oiling.

VENT SYSTEM

NOTE: If the vent-air intake system is disassembled for any reason, reinstall per instructions provided with installation (see Installation section).

Performed by: Qualified Service Person

Frequency: Annually

Action:

- Examination of the vent system is required.
- The flow of combustion and ventilation air must not be obstructed.

GLASS ASSEMBLY

CAUTION: Do not operate with the glass assembly removed, cracked, or broken. Use protective gloves to handle any broken or damaged glass assembly components.

WARNING: Do not use substitute materials. Avoid striking or slamming glass assembly. Avoid abrasive cleaner. **DO NOT** clean glass while it is hot.

CAUTION: Any safety screen, guard, or barrier removed for servicing must be replaced prior to operating.

Performed by: Homeowner

Frequency: Annually

Action:

- Prepare a work area large enough to accommodate the glass assembly on a flat, stable surface.
- Remove safety screen and glass frame assembly.
- Clean glass with a soft cloth and a non-abrasive cleaner.
- Reinstall glass assembly and safety screen.
- **Any safety screen, guard, or barrier removed for servicing an appliance must be replaced prior to operating the appliance.**

Performed by: Qualified Service Person

Frequency: Annually

Action:

- Inspect the glass for cracks, scratches, and nicks.
- Verify the glass assembly is properly intact and not damaged.
- Replace the glass and the assembly as necessary.
- Only Ashley will supply the replacement of glass assembly as a complete unit.

Notes

Notes

SYSTÈME D'ÉVENT

REMARQUE : Si le système est démonté pour une raison quelconque, réinstallez conformément aux instructions fournies lors de l'installation (voir la rubrique installée).

Effectué par : Technicien d'entretien qualifié

Fréquence : Annuelle

Action :

- Un examen du système d'évacuation est nécessaire.
- N'obstruez en aucune circonstance le flux d'air de combustion et de ventilation.

ASSEMBLAGE DE LA VITRE

AVERTISSEMENT : Ne pas utiliser lorsque l'assemblage vitré est retiré, fêlé ou brisé. Utilisez des gants de protection pour manipuler les composants brisés ou endommagés de l'assemblage vitré.

AVERTISSEMENT : N'utilisez pas de produits de substitution. Évitez de cogner ou de claquer l'assemblage vitré. Évitez les produits de nettoyage abrasifs. NE PAS nettoyer la vitre lorsqu'elle est chaude!

AVERTISSEMENT : Tout panneau, barrière ou écran qui a été retiré pour un entretien doit être réinstallé avant réutilisation.

Effectué par : Propriétaire

Fréquence : Annuelle

Action :

- Préparez un espace de travail assez grand pour accueillir l'assemblage vitré sur une surface plane et stable.
- Retirez la grille de protection et l'assemblage du cadre vitré.
- Nettoyez la vitre avec un chiffon doux et un produit nettoyant non abrasif.
- Réinstallez l'assemblage vitré et la grille de protection.

- **Tout panneau, barrière ou écran qui a été retiré pour entretenir un appareil doit être réinstallé avant une réutilisation de l'appareil.**

Effectué par : Technicien d'entretien qualifié

Fréquence : Annuelle

Action :

- Inspectez la vitre pour détecter les fissures, les rayures et entailles.
- Vérifiez que l'assemblage de la vitre est intact et non endommagé.
- Remplacez l'assemblage de la vitre si nécessaire.
- Seul Ashley peut fournir l'assemblage vitré de remplacement comme unité complète.

- Vérifiez le réservoir de GPL (propane) dans le réservoir nécessaire.
- Débranchez les ventilateurs du courant électrique est passez l'aspiration.
- Les roulements sont hermétiques et ne nécessitent aucune lubrification.

Action :

Fréquence : Tous les 6 mois

Effectué par : Technicien d'entretien qualifié

AVERTISSEMENT: Étiquetez tous les fils avant de déconnecter lors de l'entretien des commandes. Les erreurs de câblage peuvent entraîner un fonctionnement inapproprié et dangereux. Vérifier que l'appareil fonctionne bien après l'entretien.

VENTILATEUR

- Passez l'aspirateur sur tous les composants du système de combustion.
- Vérifiez visuellement que rien n'obstrue les orifices du brûleur, surtout près de la veilleuse.
- Vérifiez visuellement la veilleuse et l'aspect de la flamme du brûleur en cours de fonctionnement. Les flammes doivent être stables, ne pas se soulever et ne pas être flottantes.

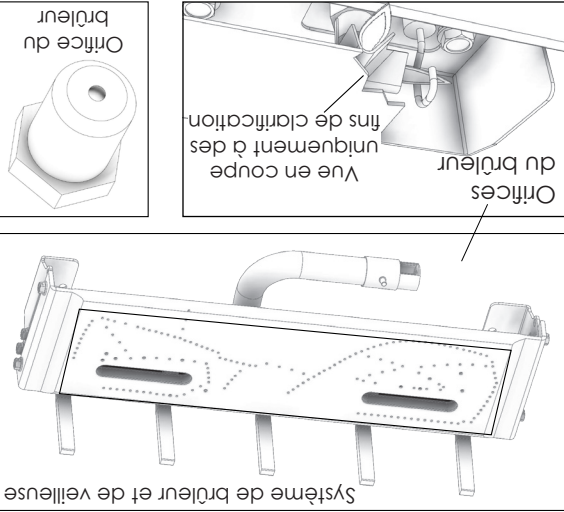
Fréquence : Annuelle

Effectué par : Technicien d'entretien qualifié

Le brûleur peut être retiré pour faciliter l'accès au compartiment de commande.

SYSTÈME DE BRÛLEUR ET DE VEILLEUSE

AVERTISSEMENT: Les lieux où se trouve le foyer doivent être exempts de matériaux combustibles, d'essence et autres liquides ou vapeurs inflammables.



AVERTISSEMENT: L'installation et les réparations doivent être effectuées uniquement par un personnel d'entretien qualifié. Ce foyer doit être inspecté avant utilisation et une fois par an par un technicien qualifié. Il doit être inspecté au moins une fois par an par un technicien professionnel.

Aucune réaction à la commande	Un nombre maximal d'allumages défectueux ou de restaurations de la flamme est atteint	Réinitialisez le module d'allumage.
	Aucune communication entre la télécommande et le module d'allumage	Reprogrammez la télécommande pour le module d'allumage.
La flamme est bleue et se soulève du brûleur	Batterie de secours ou piles de la télécommande faibles	Remplacez les piles.
	Blocage ou fuite du système d'évent	Vérifiez qu'il n'y a pas de fuites sur les tuyaux de ventilation et des débris sur le chapeau d'évent. Réparez les tuyaux de ventilation ou retirez les débris du chapeau d'évent, si nécessaire.
De la suie apparaît sur la vitre	Installation du chapeau d'évent incorrecte	Installez si nécessaire.
	Réglage inapproprié du Venturi	L'obturateur d'air Venturi doit être légèrement ouvert pour laisser passer plus d'air dans le mélange de gaz. Voir la section « Venturi du brûleur ».
La veilleuse et le brûleur s'éteignent en cours de fonctionnement	Installation de l'assemblage de vitre incorrecte	Voir la section « Assemblage du cadre vitre »
	Installation du chapeau d'évent incorrecte	Ajustez si nécessaire.
Fuite de gaz du tuyau de ventilation vers la boîte à combustion	Blocage du chapeau d'évent	Si nécessaire, retirez les débris.
	Mauvais niveau de l'évacuation horizontale	Une élévation de 1/4 po (6 mm) par pied (30 cm) est requise pour une évacuation horizontale
Tirage excessif	Installation ou la modification d'un réducteur peut être nécessaire.	L'installation ou la modification d'un réducteur peut être nécessaire.
	Installation du chapeau d'évent incorrecte	Ajustez si nécessaire.
Aucun gaz GPL (propane) dans le réservoir	Installation de l'assemblage de vitre incorrecte	Voir la section « Assemblage du cadre vitre »
	Installation du chapeau d'évent incorrecte	Ajustez si nécessaire.

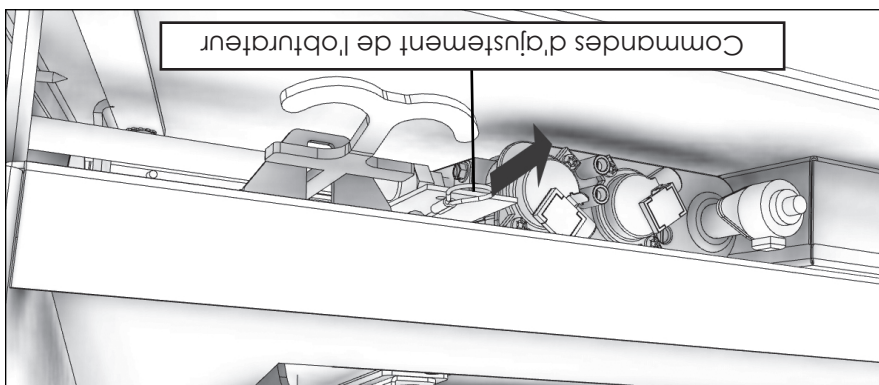
Dépannage

Avant de procéder aux étapes du guide de dépannage qui suit :

- Vérifiez que l'alimentation électrique de 120 V en courant alternatif est raccordée au module de commande.
- Vérifiez que le bloc-piles du module de commande et les piles de la télécommande sont neufs et installés en respectant la polarité.
- Vérifiez que toutes les connexions entre les faisceaux de branchements et les composants du système sont correctes et alimentées.
- Vérifiez que le lien de communication est établi entre la télécommande et le module d'allumage.
- Vérifiez que la pression d'entrée correspond à la pression d'entrée recommandée.

Si nécessaire, ajustez le régulateur de pression du conduit.

Problème	Cause	Solution
La veilleuse ne s'allume pas	L'alimentation électrique est interrompue ou débranchée	Rétablissez le courant électrique jusqu'au foyer ou utilisez la batterie de secours.
La veilleuse ne reste pas allumée	<p>Débranchement du câblage</p> <p>L'alimentation en gaz est éteinte</p>	<p>Assurez-vous que les piles sont complètement chargées d'alimentation.</p> <p>Utilisez le schéma de câblage du présent manuel pour déterminer que tous les branchements sont bien établis et sécurisés.</p> <p>Vérifier les vannes d'arrêt à distance du foyer. En principe, il y a une vanne près de la conduite de gaz. Il peut y avoir plus d'une (1) vanne entre le foyer et la conduite de gaz principale.</p> <p>Vérifiez le GPL (réservoir de propane). Remplissez-le si nécessaire.</p>
La veilleuse ne reste pas allumée	<p>Faible pression du gaz</p> <p>Aucun gaz GPL (propane) dans le réservoir</p>	<p>Consultez un plombier ou un fournisseur de gaz. Cela peut être causé par des situations comme une conduite courbée, un diamètre ou un tuyau trop étroit ou une faible pression.</p> <p>Vérifiez que la flamme de la veilleuse enveloppe le haut du détecteur de flamme et va suffisamment loin autour du brûleur pour un bon allumage.</p> <p>Pour ajuster la flamme de la veilleuse, tourner la vis de réglage de la veilleuse sur la vanne de gaz dans le sens horaire pour diminuer la flamme, et dans le sens antihoraire pour l'augmenter.</p>
La flamme de la veilleuse est toujours allumée ou ne s'éteint pas	<p>Système de contrôle mis en mode CPI</p> <p>Vis de réglage de la veilleuse non scellée</p>	<p>Scellez la vis de réglage de la veilleuse. Ne pas trop serrer.</p> <p>Passer le système de contrôle en mode IPL.</p>
La flamme du brûleur principal ne s'allume pas	<p>L'interrupteur à bascule est en position OFF</p> <p>L'alimentation en gaz est éteinte</p> <p>Vérifiez les différentes fermetures dans la conduite d'alimentation. Vérifiez que l'approvisionnement en gaz est allumé.</p> <p>Consultez un plombier ou un fournisseur de gaz. Vérifiez le réservoir de GPL (propane). Remplissez-le si nécessaire.</p> <p>Débranchement du câblage ou mauvais câblage</p> <p>Office du brûleur principal bouché</p> <p>Flamme de la veilleuse</p> <p>La télécommande ne fonctionne pas correctement</p> <p>Pas d'appel de chaleur</p>	<p>Alimentation en gaz éteinte</p> <p>Vérifiez que la flamme de la veilleuse est bien dirigée pour allumer le brûleur. Voir le dépannage de la flamme de la veilleuse ci-dessus.</p> <p>Remplacez les piles.</p> <p>Vérifiez que la télécommande est allumée et que le thermostat est éteint.</p>



Ouvertures Venturi réglées en usine	
Combustible	Ouverture de l'obturateur d'air
Gaz naturel	OUVERT de 1/8 po (4 mm)
Gaz PL	OUVERT de 1/4 po (7 mm)

AVERTISSEMENT: Essayez chaque nouveau réglage de l'obturateur environ 1/2 heure avant d'effectuer des modifications supplémentaires. La flamme du brûleur peut être modifiée en réorganisant les braises.

1. Les commandes de l'obturateur d'air sont situées au bas du foyer, à côté de l'assemblage de la vanne. L'obturateur peut produire des changements majeurs dans l'aspect de la flamme.
 2. Si la flamme est trop « bleue », poussez le bouton de l'obturateur d'air par petits incréments de 1/8 po (fermez), jusqu'à ce que la flamme prenne la couleur « orange » réaliste voulue.
 3. Si la flamme est trop « orange » ou entraine de la suie sur la vitre, tirez le bouton de l'obturateur d'air vers l'extérieur par incréments d'environ 1/8 po (ouvrez), jusqu'à ce que la formation de suie cesse.
- Pendant l'installation initiale, l'ouverture de l'obturateur d'air doit être vérifiée pour s'assurer que cet obturateur est correctement réglé à 0 po à 1/8 po pour le gaz naturel ou à 1/8 po à 1/4 po pour le gaz PL.
- Assurez-vous que le brûleur et les bûches sont correctement installés. Après que le brûleur a été correctement installé et qu'il a bien fonctionné pendant 2 ou 3 heures, de petits réglages supplémentaires de l'obturateur d'air peuvent être nécessaires pour finaliser l'aspect de la flamme. Ces petits réglages peuvent être réalisés en suivant la procédure ci-après. **REMARQUE:** De très petites modifications de paramètres de l'obturateur peuvent produire des changements majeurs dans l'aspect de la flamme.

AVERTISSEMENT: LES RÉGLAGES DU VENTURI DOIVENT ÊTRE EFFECTUÉS PAR UN PERSONNEL D'ENTRETIEN QUALIFIÉ.

RÉGLAGE DE LA FLAMME DE GAZ

Les caractéristiques et l'aspect de la flamme du brûleur sont affectés par l'altitide, la qualité des carburants, la configuration de l'évacuation et d'autres facteurs. Après l'installation, des ajustements supplémentaires peuvent être nécessaires pour que l'aspect de la flamme soit optimal et visuellement esthétique. **REMARQUE:** Aux altitudes supérieures à 5 000 pieds, quelques variations peuvent être nécessaires.

AVERTISSEMENT: Pour éviter des dommages matériels ou corporels, laissez du temps de refroidissement avant d'effectuer un réglage.

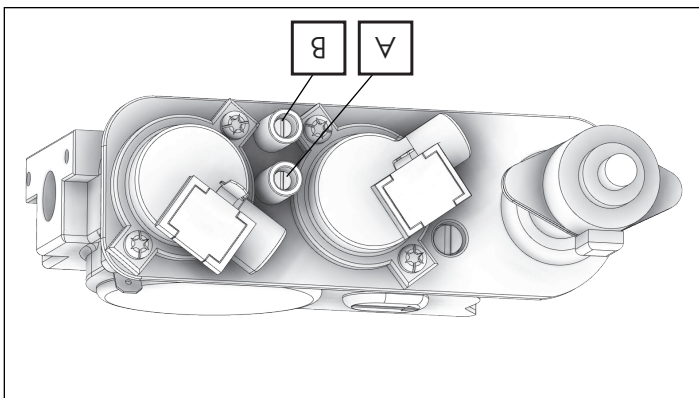
RÉGLAGES DE LA FLAMME DU BRÛLEUR

Pressions d'entrée		Pressions d'admission	
Combustible	Gaz naturel	Combustible	Gaz naturel
Approvisionnement en gaz	Min. – Max.	Approvisionnement en gaz	Faible – Elevée
Prise de pression d'entrée (A)	5 à 10,5 po CE (1,25 à 2,62 kPa)	Prise de pression (B)	1,1 à 3,8 po CE (0,27 à 0,95 kPa)
	12 à 14 po CE (2,99 à 3,48 kPa)		2,9 à 11 po CE (0,72 à 2,74 kPa)

1. Veilleuse.
2. Desserter la prise de sortie de pression (OUT) en tournant la vis dans le sens horaire. Voir (B) à la figure 11.1.
3. Fixer le manomètre à la prise de pression à l'aide d'un tube de D.I. de ¼ po (6 mm).
4. Brûleur. Vérifier les relevés de pression.
5. Éteindre le brûleur et la veilleuse.
6. Débrancher le manomètre et serrer la vanne de sortie de pression (OUT) en vissant dans le sens horaire. La vis doit être serrée. Ne pas trop serrer.
7. Fixer ensuite le manomètre à la vanne de pression d'admission (B) pour vérifier qu'elle est complètement scellée. Le manomètre ne doit lire aucune pression lorsque la veilleuse et le brûleur sont en marche.

TEST DE LA PRESSION D'ADMISSION

1. Desserter la prise d'entrée de pression (IN) en tournant la vis dans le sens antihoraire. Voir (A).
2. Fixer le manomètre à l'aide d'un tube de D.I. de ¼ po (6 mm). Veilleuse et brûleur. Vérifier la pression pour assurer qu'elle se trouve entre le minimum et le maximum de pression recommandé.
3. Éteindre le brûleur et la veilleuse.
4. Débrancher le tube et serrer la prise d'entrée de pression (IN) en vissant dans le sens horaire. La vis doit être serrée. Ne pas trop serrer.
5. Rallumer la veilleuse et le brûleur. Refixer ensuite le manomètre à la prise de pression d'entrée (A) pour vérifier que la prise est complètement scellée. Le manomètre ne doit lire aucune pression.



AVERTISSEMENT: Si le relevé de la pression d'entrée est trop ou pas assez élevé, veuillez contacter la compagnie de gaz. Seul un technicien de gaz ou une technicienne de gaz doit ajuster la pression d'admission du gaz.

REMARQUE: Assurez-vous d'appliquer ces tests de pression d'entrée avec tous les foyers au gaz en fonctionnement ou à pleine capacité de la maison afin d'obtenir des relevés de pression appropriés.

TEST DE PRESSION D'ENTRÉE

AVERTISSEMENT: Les prises de contrôle de pression pour le collecteur (sortie) et la pression d'admission (entrée) ont été incorporées dans la vanne. La prise de pression marquée « OUT » (sortie) mesure la pression sortante. La prise de pression marquée « IN » (entrée) mesure la pression entrante.

REMARQUE: Ce foyer et sa vanne de gaz principale doivent être déconnectés du système de conduite d'approvisionnement en gaz lors des tests de pression si la pression excède 3,5 kPa (1/2 psi).

TEST DE PRESSION

Réglages

1. Éteignez la télécommande.
 2. Si vous voyez l'icône de flocon de neige, appuyez sur la touche « Mode » et basculez en mode IPI.
 3. Coupez l'alimentation en courant alternatif du module de commande d'allumage (coupez le disjoncteur).
 4. Basculez l'interrupteur principal en position « OFF » (ARRÊT). Attendez 30 secondes.
 5. Allumez le courant alternatif en allumant le disjoncteur.
 6. Allumez la télécommande, puis éteignez-la.
 7. Remettez l'interrupteur principal en position « ON » (MARCHE).
 8. Appuyez sur le bouton « Mode » de la télécommande. Sélectionnez le mode CPI pour relancer la veilleuse. Après la mise en route de la veilleuse, mettez votre télécommande en marche pour allumer.
- Après avoir suivi ces étapes, contactez votre revendeur agréé si l'appareil ne s'allume pas.
- Cela devrait supprimer le mode verrouillage. Rallumez la télécommande et démarrez le foyer. Assurez-vous que l'interrupteur principal est en position « ON » (marche). Si le mode verrouillage est toujours activé, suivez les étapes ci-après :
1. Éteignez la télécommande.
 2. Allumez la télécommande et attendez 2 secondes.
 3. Éteignez la télécommande et attendez 2 secondes.
 4. Allumez la télécommande et attendez 2 secondes.
 5. Éteignez la télécommande.
- Si votre télécommande fonctionne, mais que votre foyer ne s'allume pas, il peut être en mode « verrouillage ». Suivez les étapes ci-après pour réinitialiser un verrouillage :

POURQUOI L'APPAREIL NE S'ALLUME PAS?

5. Si vous voyez « clear » s'afficher, le bouton du thermostat est désactivé.
6. Répétez cette procédure si vous ne voyez pas « set » ou « clear » pour ajouter/retirer l'option de thermostat.

1. Retirez une pile.
 2. Appuyez sur le bouton du thermostat de la télécommande et maintenez-le enfoncé.
 3. Réinstallez la pile tout en maintenant le bouton du thermostat enfoncé.
 4. Si vous voyez « set » s'afficher, le bouton du thermostat est maintenant actif.
- Lors du changement de piles, il est possible qu'on ait appuyé sur le thermostat. Suivez les étapes ci-après :

POURQUOI MON THERMOSTAT DISPARAIT-IL DE MA TÉLÉCOMMANDE?

Lorsque ses piles sont faibles, une icône de pile s'affiche sur l'écran à cristaux liquides de la télécommande avant que les piles n'aient plus du tout d'énergie. Cette icône disparaît lorsqu'on a remplacé les piles.

QUAND DOIS-JE CHANGER LES PILES DE MA TÉLÉCOMMANDE?

Quand que le mode de sécurité enfant fonctionne, aucun des boutons de la télécommande ne fonctionne. Vous devez désactiver la fonction de sécurité enfant avant de pouvoir utiliser la télécommande.

Pour désactiver la fonction de sécurité enfant : Appuyez simultanément sur le bouton « MODE » et la flèche dirigée vers le haut.

Pour activer la fonction de sécurité enfant : Appuyez simultanément sur le bouton « MODE » et la flèche dirigée vers le haut.

Pour empêcher les enfants sans surveillance de faire fonctionner l'appareil, une fonction de verrouillage est fournie avec ce système de contrôle à distance.

COMMENT PUIS-JE PASSER EN MODE DE SÉCURITÉ ENFANT?

1. Appuyez sur le bouton « ON/OFF » et étiquez.
 2. Appuyez simultanément sur le bouton du mode et le bouton du thermostat.
 3. Regardez l'écran à cristaux liquides pour vérifier que l'unité souhaitée s'affiche (°F ou °C). Dans le cas contraire, répétez l'étape 2.
- Pour basculer de °C à °F, procédez comme suit :

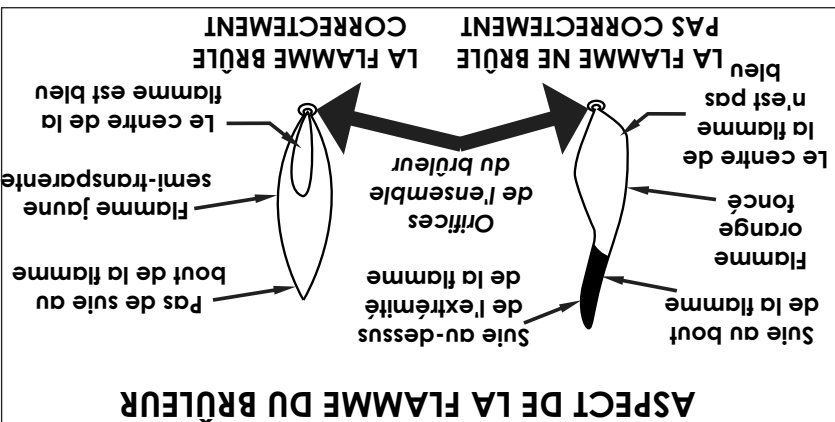
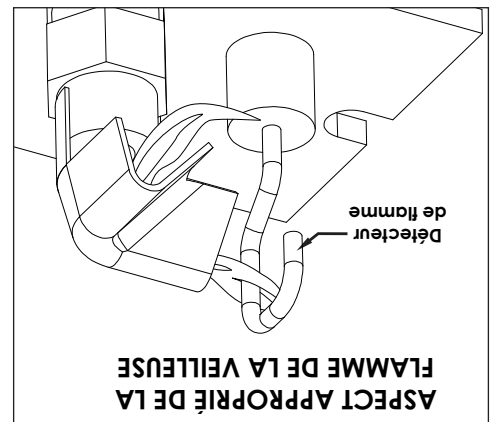
COMMENT PUIS-JE FAIRE PASSER LA TÉLÉCOMMANDE DE °C À °F?

Problème	Causes possibles	Mesure corrective
Formation d'une mince couche noire (sûie) sur la vitre	<ul style="list-style-type: none"> • Mauvaise pression du gaz • Pas assez d'air de combustion • Fuite au niveau du joint d'étanchéité de la vitre • Obstruction de l'évent 	<p>Faites vérifier la pression d'entrée du gaz par le fournisseur de gaz. Vérifiez la bonne étanchéité du joint de la vitre. Les coins du joint de la vitre ne doivent pas déborder. Si le joint d'étanchéité de la vitre, au milieu, le long du bord supérieur, est de couleur blanche à travers toute l'épaisseur du bulbe du joint, remplacez le joint d'étanchéité de la vitre.</p> <p>Si la sûie persiste, ouvrez l'obturateur d'air sur le brûleur. Si la sûie persiste, arrêtez l'appareil et appelez un technicien agréé.</p>

Dépannage en cas de sûie

La sûie est causée par une mauvaise installation ou un mauvais fonctionnement de l'obturateur d'air. Toutefois, quelques petites zones de dépôts de sûie sur les surfaces des bûches sont jugées acceptables. Si vous constatez des grandes zones de sûie (supérieures à 1 po x 1 po) sur la surface des bûches ou des signes de sûie sur la vitre de la porte (habituellement un mince film noir sur la surface vitrée ou à l'extérieur de la maison autour du chapeau de l'évent), étiquez immédiatement et informez rapidement le distributeur agréé. Le revendeur agréé corrigera le problème de « formation de sûie », mais il n'est pas responsable des dommages causés par un encrassement excessif qui n'aurait pas été immédiatement porté à son attention.

QUE DOIS-JE FAIRE EN CAS DE SÛIE?



Caractéristique de la flamme	Cause	Solution
Flamme orange foncée avec une extrémité noire	Venturi trop serré	Ouvrez légèrement le Venturi
Flammes bleues et courtes	Venturi trop ouvert	Fermez légèrement le raccord
Flammes instables (dansantes)	Pression du gaz trop élevée	Venturi trop serré
		Vérifier le réglage du manomètre
		Ouvrir légèrement le Venturi

INFORMATIONS SUPPLÉMENTAIRES SUR LA POLYMERISATION

Il n'est pas inhabituel d'avoir besoin de plus de 10 heures consécutives en position forte pour voir les odeurs diminuer. Certains variables peuvent prolonger ou raccourcir le temps de polymérisation comme les façades décoratives, les portes, les matériaux de revêtement et leurs applications.

Il est normal que les surfaces environnantes soient trop chaudes au toucher. Sous réserve que toutes les exigences de dégagement et de valeur R du manuel d'installation aient été respectées, il ne s'agit pas d'un problème de sécurité. Sachez que tous matériaux utilisés autour du foyer vont se réchauffer et peuvent causer des problèmes d'odeur. Les adhésifs, la colle, le support mural, le matériau de finition de mur, les peintures et vernis sont des matériaux courants qui, si utilisés à mauvais escient, peuvent causer des problèmes d'odeur. Ashley ne peut être tenue responsable des problèmes d'odeur causés par les matériaux utilisés. Si vous avez des questions ou des inquiétudes, veuillez communiquer avec votre distributeur agréé ou envoyer un courriel à service@www.usstove.com.

PUIS-JE CONTINUER À FAIRE FONCTIONNER L'APPAREIL EN CAS DE PANNE DE COURANT?

Ce système d'allumage électronique utilise une alimentation de 120 V en courant continu pour toutes ses fonctions. En cas de panne d'électricité, insérez 4 piles AA dans le bloc de piles situé dans le boîtier du module d'allumage. Pendant la panne d'électricité, le brûleur continue à fonctionner ainsi que le réglage de la hauteur de flamme. L'éclairage d'accroissement et le ventilateur, qui sont tributaires de la puissance de 120 V en courant continu, ne fonctionneront pas. Votre installateur devra expliquer le fonctionnement du boîtier d'alimentation CC de secours. N'oubliez pas de conserver le bloc de piles CC et le faisceau de raccordement en lieu sûr pour l'utiliser pendant les pannes de courant.

QUEL EST L'ENTRETIEN ANNUEL REQUIS?

REMARQUE: Tout ajustement du brûleur, de la veilleuse ou des bûches doit être réalisé par un technicien qualifié et agréé. Les procédures qui suivent doivent être réalisées chaque année par un technicien qualifié. Étapes recommandées pour l'entretien annuel :

1. Retirez les bûches et les braises et nettoyez toute matière étrangère (pêluches, carbone, etc.) sur le brûleur et les bûches. Veillez à ce que les orifices du brûleur restent « dégagés ». Nettoyez la veilleuse et les dépôts de carbone sous les bûches. Les bûches doivent être vérifiées visuellement pour détecter l'accumulation éventuelle de carbone. Si des dépôts de carbone sont visibles sur les bûches, étiquenez et appelez un technicien agréé. Veillez à réinstaller les bûches selon les instructions.
2. Nettoyez toutes les pêluches et l'accumulation de poussière autour de la commande. Inspectez l'état du câblage sous le brûleur pour détecter d'éventuels dommages ou un élément fondu. Nettoyez le crochet/la tige du capteur de la flamme à l'aide de toile émeri. Passez l'aspirateur sur tous les orifices du brûleur et l'assemblage de la veilleuse.
3. Vérifiez l'état du joint de la porte vitrée, il doit fermer hermétiquement la boîte à combustion. Inspectez le joint sur le dessus et les côtés de la vitre. Si le joint s'est affaissé vers l'extérieur aux coins de la vitre ou si le bulbe ou si le bulbe du joint d'étanchéité le long de la partie supérieure sur les côtés se décolore et blanchit dans toute l'épaisseur du bulbe, remplacez le joint. Un bulbe du joint d'étanchéité blanc indique une fuite de gaz à travers la zone décolorée et nécessite le remplacement du joint de la vitre.

COMMENT DOIS-JE NETTOYER LA VITRE?

La vitre doit être nettoyée régulièrement.

AVERTISSEMENT: N'utilisez pas de nettoyeur pour four ou à base d'ammoniac pour nettoyer la vitre. Nettoyez la vitre uniquement lorsqu'elle est refroidie à la température ambiante.

Pour nettoyer la surface de la vitre, utilisez de l'encustique Kêl Kêrn ou un produit nettoyant abrasifs ou de nettoyeur pour four. Ne nettoyez pas la vitre lorsqu'elle est chaude. N'utilisez pas de produits nettoyants abrasifs

AVERTISSEMENT: Les additifs qui sont ajoutés au gaz (naturel et GPL) pour le rendre odorant peuvent endommager la vitre et laisser une pellicule blanche sur la vitre. Ce dépôt peut être retiré avec des détergents comme l'encustique Kêl Kêrn ou un produit comparable. Communiquez avec votre distributeur pour de plus amples informations.

L'ASPECT DE MA FLAMME EST-IL CORRECT?

Les obturateurs d'air, les charbons et les braises peuvent être ajustés selon votre configuration d'évacuation et votre combustible. Ces ajustements doivent être réalisés par un technicien qualifié afin d'obtenir la meilleure apparence de flamme. Appelez votre installateur ou revendeur agréé si vous sentez que la flamme ne brûle pas correctement. Il ne s'agit pas d'un défaut et ça n'est pas couvert par la garantie. Suivez ces étapes pendant les inspections périodiques :

1. Vérifiez que le système d'évent et un chapeau sont ouverts et ne sont pas bouchés.
2. La vitre doit être nettoyée régulièrement.
3. Avant de réinstaller la vitre, faites vérifier le fonctionnement de la veilleuse par un technicien et lancez un cycle du brûleur selon les instructions d'allumage. Veillez à ce que tous les éléments des listes de contrôle d'éclairage et d'installation soient réalisés.
4. Un contrôle visuel périodique des flammes de la veilleuse est nécessaire. La flamme de la veilleuse doit toujours recouvrir les orifices d'allumage du brûleur et le capteur de la flamme. En particulier pour les applications de GPL, vérifiez toujours que la longueur de la flamme de la veilleuse est d'au moins 1 po de longueur.
5. Un contrôle visuel périodique de la flamme du brûleur est nécessaire.

Instructions De Premier Allumage

AVERTISSEMENT: QUE FAIRE SI VOUS DÉCELEZ UNE ODEUR DE GAZ

- N'allumez en aucun cas le foyer.
- Ne touchez aucun interrupteur.
- N'utilisez aucun téléphone dans le bâtiment.
- Rendez-vous chez votre voisin et appelez votre fournisseur de gaz.
- Suivez les instructions du représentant du fournisseur.
- Si vous n'arrivez pas à joindre votre fournisseur de gaz, appelez le service d'incendie pour obtenir de l'aide.

AVERTISSEMENT: Si vous ne respectez pas scrupuleusement ces instructions, une explosion pourrait causer des dommages matériels, des blessures voire la mort.

INFORMATION DE SÉCURITÉ

- Ce foyer est équipé d'un dispositif d'allumage qui allume automatiquement la veilleuse. N'essayez pas d'allumer la veilleuse à la main.
- Avant utilisation, sentez dans toute la zone pour détecter les odeurs de gaz. N'oubliez pas de sentir près du sol, car certains gaz sont plus lourds que l'air et se déposent au sol.
- Basculez l'interrupteur principal sur la position « marche ». Les brûleurs ne s'allumeront pas sauf si l'interrupteur est sur la position « ON » (MARCHE).
- Utilisez uniquement la télécommande fournie pour allumer la veilleuse. Cette vanne ne fonctionnera pas si la veilleuse n'est pas allumée et stable.
- N'utilisez pas l'appareil si l'un des composants a été immergé. Appelez immédiatement un technicien qualifié pour inspecter l'appareil et remplacer tout composant ayant été plongé sous l'eau. Tenter un fonctionnement peut provoquer un incendie ou une explosion entraînant des dommages matériels, des blessures et la mort.

CONSIGNES D'UTILISATION

1. Lisez attentivement les consignes ci-dessus avant de procéder.
 2. N'essayez pas d'allumer la veilleuse à la main ; la porte doit rester sur ce foyer lors de l'allumage de la veilleuse, à l'exception du premier allumage.
 3. Appuyez sur le bouton marche/arrêt de la télécommande pour commencer la séquence d'allumage.
 4. Vous entendrez un bip et l'amorçeur va commencer à faire des étincelles. Après l'allumage et la stabilisation de la veilleuse, la vanne va s'ouvrir automatiquement et le brûleur va s'allumer. Le brûleur va s'allumer initialement à pleine flamme. Adaptez-la à un environnement affrayant avec la télécommande (voir les « instructions de fonctionnement de la télécommande » du présent manuel).
- AVERTISSEMENT:** Si la veilleuse ne s'allume pas, le système va se « verrouiller ». Appuyez sur le bouton marche/arrêt de la télécommande pour éteindre le système. Laissez le gaz se dissiper pendant cinq minutes avant de tenter de rallumer la veilleuse.

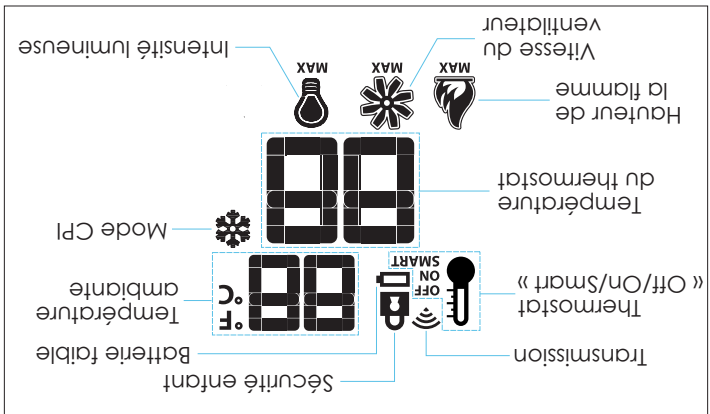
ARRÊTER L'APPAREIL

1. Appuyez sur le bouton « On/Off » de la télécommande.
2. Fermez la vanne d'arrêt manuel externe fournie par l'installateur et montée sur le côté du foyer.
3. Coupez l'alimentation électrique du foyer si un entretien doit être effectué.

5. Appuyez une nouvelle fois sur le bouton marche/arrêt de la télécommande pour démarrer la séquence d'allumage.
6. Si cela ne fonctionne pas, suivez la rubrique « Arrêter l'appareil » des instructions et appelez votre fournisseur de gaz ou le technicien d'entretien.

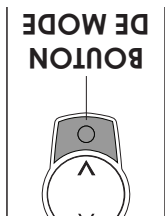
COMPRENDRE LES ICÔNES DE VOTRE TÉLÉCOMMANDE

Votre télécommande affiche et contrôle les fonctions suivantes. Voir ci-dessous les explications détaillées de l'icône contrôle.

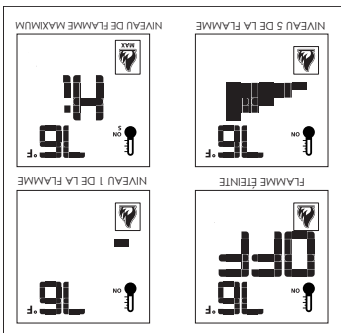


DÉTAILS DE L'ICÔNE

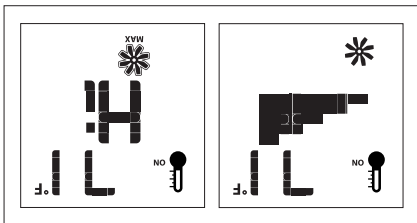
Bouton de mode : On utilise ce bouton du mode pour basculer entre les différentes fonctions disponibles : la hauteur de flamme, la vitesse du ventilateur, la luminosité et l'allumage du brûleur arrière.



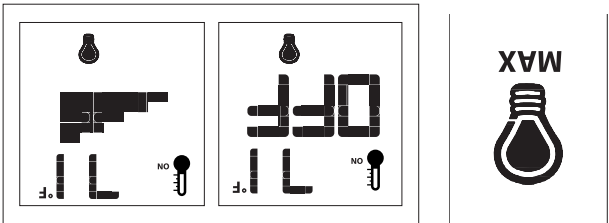
Hauteur de la flamme : Six niveaux de flamme sont disponibles. Quand l'icône de hauteur de flamme est affichée, appuyer sur le bouton flèche va augmenter ou diminuer la hauteur de la flamme du niveau 1 au niveau 6. Si la hauteur de la flamme est au niveau 1 et qu'on appuie sur le bouton, tous les brûleurs vont s'éteindre. En mode CPI, la veilleuse va rester allumée. Remarque: En mode thermostat intelligent, le réglage manuel de la hauteur de flamme n'est pas disponible. En mode thermostat intelligent, la hauteur de flamme se règle automatiquement.



Régulateur de vitesse du ventilateur : La vitesse du ventilateur est réglable sur 6 vitesses et l'arrêt. Pour activer cette fonction, appuyez sur le bouton « Mode » jusqu'à ce qu'il affiche l'icône du ventilateur. Utilisez le bouton flèche pour allumer, éteindre le ventilateur ou régler sa vitesse. Une fois que vous avez réglé le ventilateur sur la vitesse souhaitée, le système s'en souvient tant que vous ne la modifiez pas manuellement.



Eclairage d'accentuation : Cette fonction contrôle les fonctions de l'éclairage d'accentuation. Appuyez sur le bouton du haut dans ce mode va allumer l'éclairage d'accentuation et vous permettra de contrôler les 6 niveaux d'intensité. Une fois que vous avez réglé le niveau d'éclairage souhaité, le système s'en souvient tant que vous ne le modifiez pas manuellement.

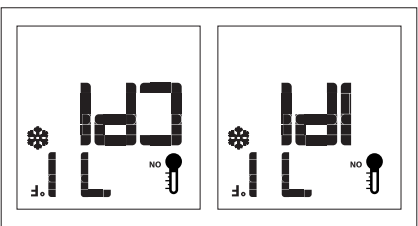


MODÈS IPI ET CPI

Les fonctions de veilleuse intermittente (IPI) et veilleuse continue (constante) (CPI) allument d'abord une veilleuse puis l'utilisent pour allumer les brûleurs principaux. On peut régler la veilleuse sur le mode CPI (« Continuous Pilot Ignition ») pour permettre à la veilleuse de rester indéfiniment allumée en plaçant la télécommande en mode IPI (« Intermittent Pilot Ignition »), seule la veilleuse va s'allumer et le rester tant que les brûleurs principaux fonctionnent. Mode IPI : Ce mode arrête la veilleuse lorsque l'appareil n'est pas en cours d'utilisation et allume seulement la veilleuse lorsque la télécommande fait un appel de chaleur. Mode CPI : S'il est en mode CPI, la veilleuse va s'enflammer et rester allumée en permanence.

PASSER EN MODE IPI OU CPI

Avec la télécommande à l'arrêt, appuyez sur le bouton MODE. Vous verrez « CPI » ou « IPI » s'afficher à l'écran. Appuyez sur la flèche dirigée vers le haut pour passer en mode « CPI » et appuyez sur la flèche dirigée vers le bas pour passer en mode « IPI ». Une fois sur la position désirée, appuyez sur la touche « On/Off » pour activer. Recommandé : Restez en mode CPI. Bien que cela ne soit pas obligatoire, cela permet de garder la cheminée chauffée pour un tirage ascendant approprié lors de l'allumage du brûleur, et éliminera également la condensation excessive des vapeurs d'échappement sur la vitre. Remarque: L'icône de flocon de neige va toujours s'afficher sur l'écran en mode CPI.



Laisser en mode CPI va préserver la chaleur du corps et éliminer les courants d'air froids et les pertes de chaleur en contact de l'air froid coincé à l'intérieur de la boîte à combustion.

FONCTIONS DE LA TÉLÉCOMMANDE

REMARQUE: Vous entendrez un bip chaque fois que vous appuierez sur un bouton de la télécommande, cela indiquera que la commande a été reçue. Localisez les quatre touches de la télécommande :

1. Bouton marche/arrêt : Ce bouton allume et éteint le foyer. Lorsqu'on enfonce le bouton et que le système est éteint, la veilleuse s'allume. Après l'allumage de la veilleuse, cette dernière allume les brûleurs principaux. Voir les modes IPI et CPL du présent manuel pour l'allumage de la veilleuse.

2. Bouton de thermostat: Ce bouton permet de sélectionner trois modes. Manuel, thermostat normal et thermostat intelligent. REMARQUE: Le foyer s'éteint automatiquement après 12 heures d'utilisation continue.
 - a. Manuel (« Off ») : Dans ce mode, on peut allumer le foyer, quelle que soit la température de la pièce. Dans ce mode, la température ambiante réelle n'a aucun effet. Toutes les fonctions comme la commande de vitesse du ventilateur, le contrôle de la hauteur de flamme et les commandes d'intensité lumineuse sont contrôlables manuellement.

- b. Thermostat normal (« On ») : Il s'allume et s'éteint automatiquement en fonction de la température que vous définissez. Lorsque vous réglez le thermostat, il continue jusqu'à ce que la température ambiante augmente de 1° F au-dessus de la température réglée sur le thermostat. Pour augmenter la température du thermostat, appuyez sur le bouton du haut jusqu'à ce que la température désirée s'affiche dans la fenêtre du thermostat. Le ventilateur se met en marche 5 minutes après le démarrage et s'éteint 12 minutes ½ après que les flammes s'éteignent. On peut régler la hauteur de flamme en cours d'utilisation, et la vitesse du ventilateur peut être ajustée 5 minutes après le démarrage. On peut régler la lumière d'accoutumance à n'importe quel moment après le démarrage.

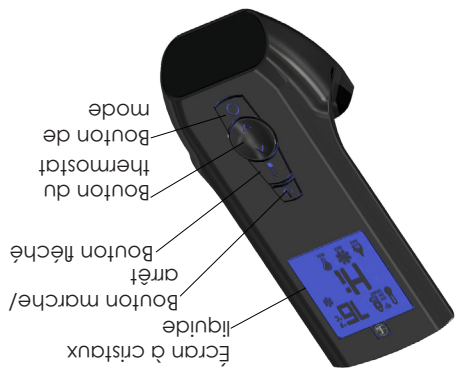
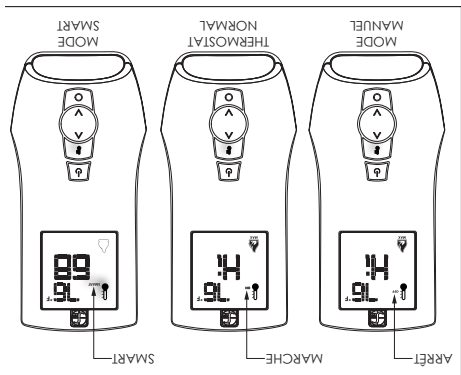
- c. Thermostat intelligent (« Smart ») : Ce mode permet de maintenir la température de la pièce et la hauteur de flamme s'ajuste automatiquement pour fournir une chaleur constante et efficace. Toutes les autres fonctions du mode normal sont permises, sauf le réglage de la hauteur de flamme. Le réglage manuel de la hauteur de flamme n'est pas autorisé dans ce mode. La fonction de thermostat intelligent permet d'ajuster la hauteur de la flamme selon la différence entre la température programmée et la température ambiante réelle. Quand la température de la pièce se rapproche de la température programmée, le thermostat intelligent réduit automatiquement la flamme.
3. Bouton haut/bas : Ce bouton est utilisé pour augmenter ou diminuer la température du thermostat, la hauteur de la flamme, la vitesse du ventilateur et l'intensité lumineuse.
 4. Bouton de sélection de mode : On utilise cette touche pour basculer entre les différentes icônes de fonction : la hauteur de flamme, la vitesse du ventilateur, la luminosité et le brûleur arrière (sur certains modèles).

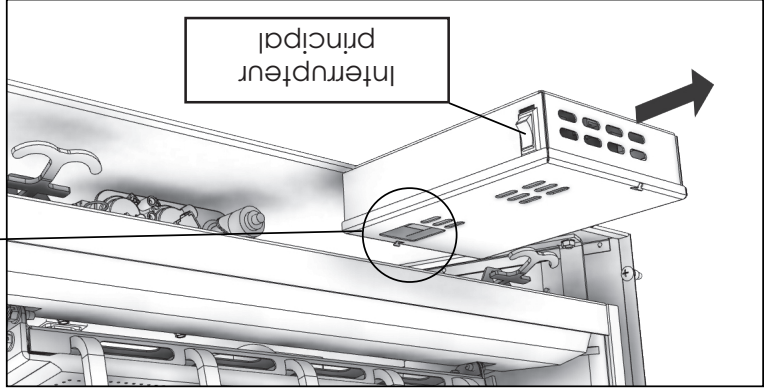
REDMARRAGE AUTOMATIQUE DE SÉCURITÉ

Ce système va exécuter une commande d'arrêt automatique dans les 24 heures d'un fonctionnement permanent de la veilleuse. Cela permet au système de vérifier les fonctions de sécurité. Une fois la séquence d'arrêt terminée, le module d'allumage relance la dernière commande.

FONCTION D'ALLUMAGE

1. Appuyez sur le bouton on/off (marche/arrêt). La télécommande affiche toutes les icônes actives sur l'écran.
 2. Sélectionnez le mode thermostat en appuyant sur le bouton du thermostat : « Off » (manuel), « On » (thermostat normal) ou « Smart » (thermostat intelligent).
 - a. Si l'icône de thermostat affiche « Off » (manuel), il va s'allumer et démarrer sur « Hi » (fort).
 - b. Si l'icône du thermostat affiche « On » (thermostat normal), il va s'allumer seulement si la température du thermostat est supérieure à la température ambiante.
 - c. Si l'icône du thermostat affiche « SMART » (thermostat intelligent), il va s'allumer seulement si la température du thermostat est supérieure à la température ambiante.
- Appuyez sur le bouton on/off (marche/arrêt).





1. Basculez l'interrupteur principal sur la position « ON » (MARCHÉ) (vers le haut). Les brûleurs ne s'allumeront pas sauf si l'interrupteur est sur la position « ON » (MARCHÉ).
2. Repérez l'interrupteur de synchronisation sur le module d'allumage. C'est le bouton rouge situé sur le module d'allumage marqué « SW1 ». Appuyez sur le bouton de synchronisation, puis relâchez-le. Le module émet 3 bips indiquant qu'il est prêt à se synchroniser avec une télécommande. REMARQUE: Si vous n'entendez aucun bip lorsque vous appuyez sur le bouton de synchronisation, contactez votre revendeur ou votre installateur.
3. Dans les 7 secondes qui suivent, appuyez sur le bouton « ON » (MARCHÉ) de la télécommande. Le foyer émet un bip pour indiquer que la télécommande est acceptée et définit le code de ce contrôleur.

Votre système est désormais synchronisé.

SYNCHRONISATION DE LA TÉLÉCOMMANDE

L'interrupteur principal se trouve en bas à gauche. Suivez les étapes ci-après pour synchroniser.

Appuyez sur le bouton du haut de la télécommande. Assurez-vous d'avoir installé 3 piles AAA dans votre télécommande. ci-dessous pour synchroniser votre foyer et la télécommande.

UTILISATION DE VOTRE TÉLÉCOMMANDE

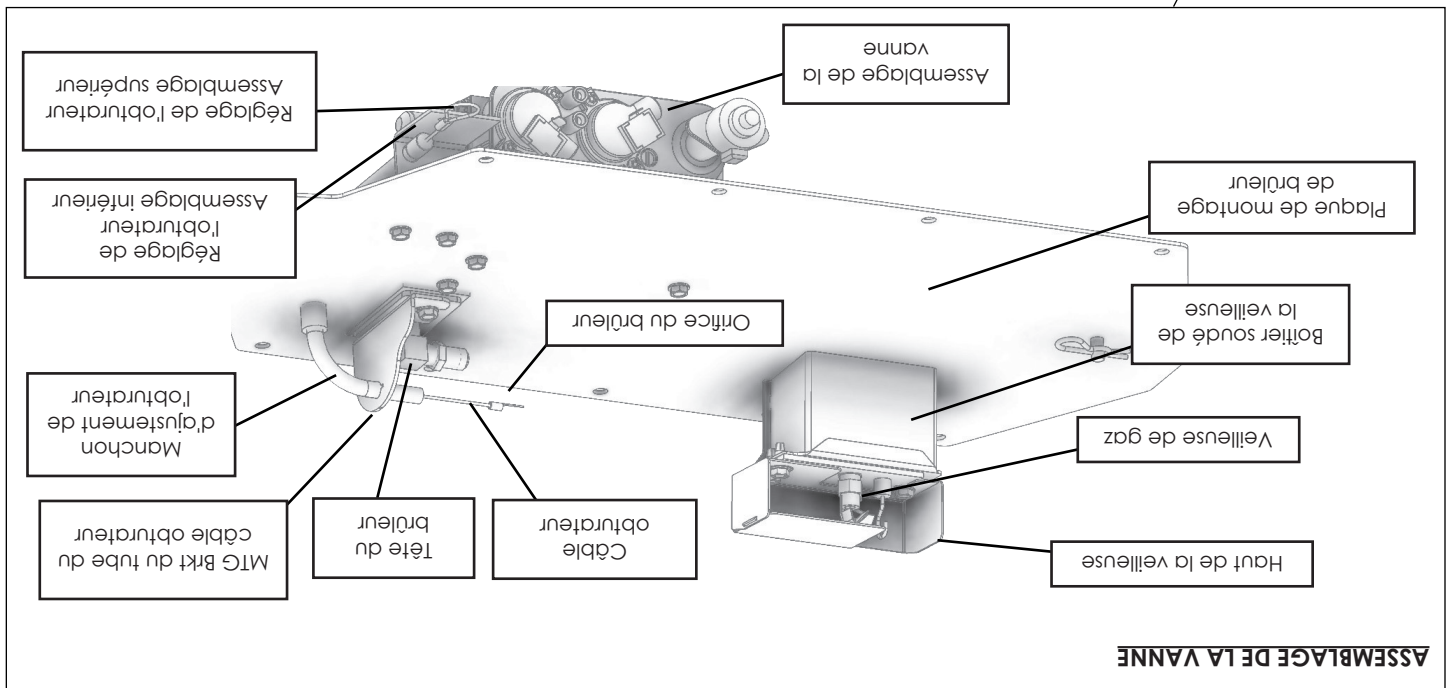
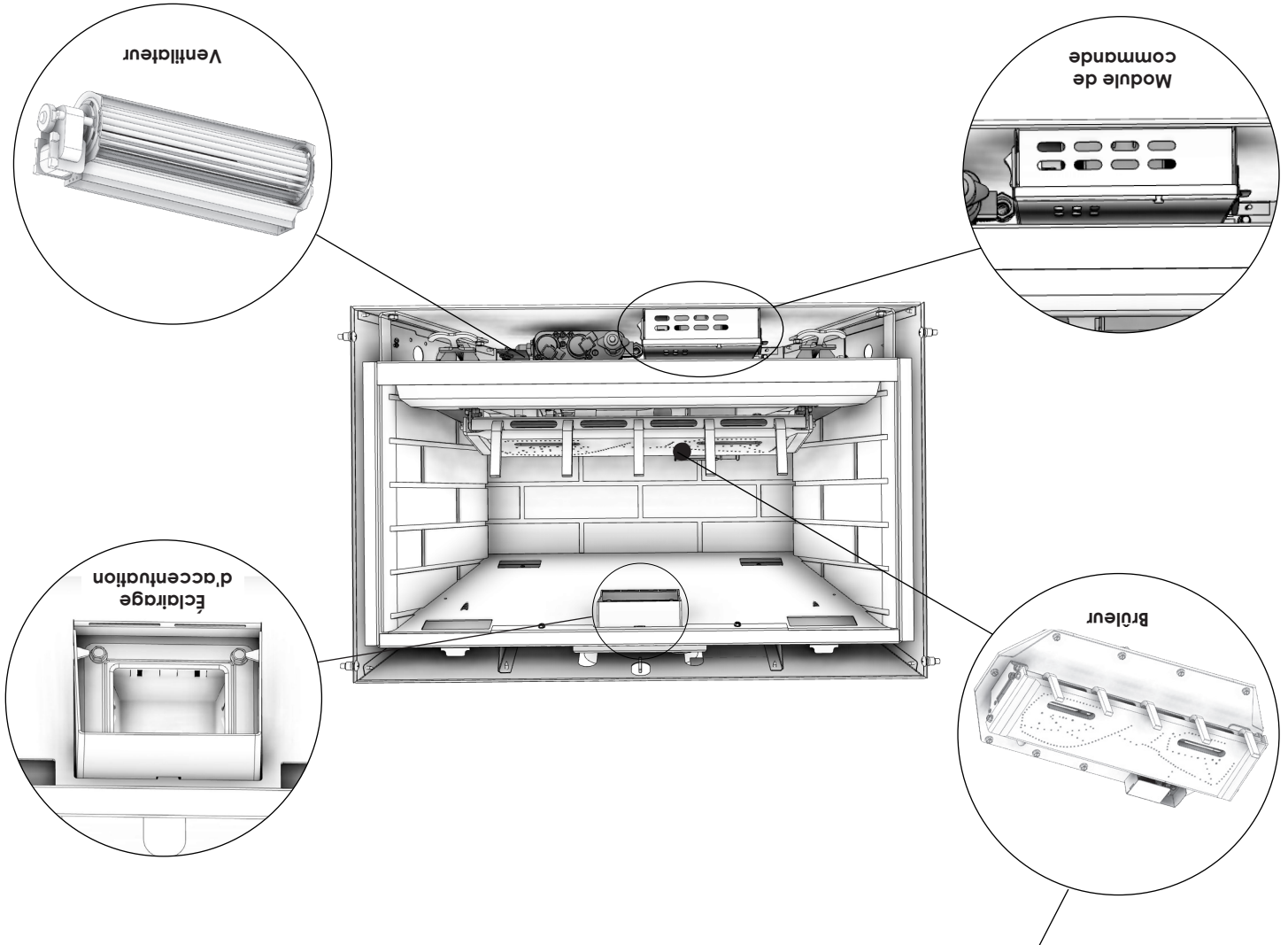
Informations Opérationnelles

- Tous les éléments de la liste de contrôle doivent être cochés.
- Les fuites et les pressions de gaz ont été vérifiées avant l'installation des matériaux de revêtement.
- La télécommande contient des piles neuves. Suivez les « instructions de premier allumage » pour synchroniser la télécommande et le module d'allumage.
- L'ouverture de l'obturateur d'air de 0 à 1/8 po pour le gaz naturel et de 1/8 à 1/4 po pour le GPL a été vérifiée.
- Toutes les instructions d'installation de l'éclairage et des bûches ont été respectées.
- Les brûleurs s'allument immédiatement et la flamme se lance tout de suite autour du brûleur et allume la totalité de ce dernier.
- REMARQUE: Ne faites pas fonctionner l'appareil tant que le brûleur passe sans délai de la position marche à arrêt.
- La flamme est « stable » et ne se « décolle » pas du brûleur. Si la flamme se décolle du brûleur, mettez hors tension et vérifiez que tous les tuyaux de ventilation sont verrouillés (« twist locked ») et qu'il n'y a pas de fuite, que le chapeau d'évent est à l'endroit, et que du mastic à 1000°F a été utilisé sur les joints du tube internes de toutes les sections du conduit DuraVent. Ne faites pas fonctionner l'appareil si la flamme du brûleur se « soulève ».

Liste De Vérification De L'allumage

- La porte vitrée est en position fermée et centrée sur l'ouverture de la boîte à combustion.
- Les sections télescopiques ne sont pas dissociées. Elles ont été utilisées en tant qu'ensembles complets.
- L'alimentation électrique de 120 V et l'alimentation en gaz sont installées selon les instructions et les codes locaux et nationaux.
- La bonne pression de gaz, la bonne dimension des conduites de gaz et les fuites de gaz ont été vérifiées.
- Les dégagements intérieurs et extérieurs appropriés aux systèmes d'évent et les emplacements des chapeaux d'évent muraux ou de toiture sont respectés.
- Le chapeau d'évent vertical est installé du « côté droit vers le haut » et hermétique à la structure, selon les instructions. Les chapeaux d'évent sont approuvés.
- Le système d'évent est installé par un technicien agréé conformément aux instructions et codes locaux.
- Tous les éléments de la liste de contrôle doivent être cochés.

Liste De Vérification De L'installation



Pièces De Remplacement Et Entretien

SURCHAUFFE DU BRÛLEUR

Ne jamais ajuster la pression de gaz en « surchauffe » ou percer l'orifice pour augmenter les BTU/h au-delà des spécifications. Une surchauffe peut causer des dommages permanents à la boîte à combustion et détériorer des pièces, et annuler la garantie.

MAINTENIR LA BONNE FLAMME DE LA VIEILLEUSE

La flamme de la vieilleuse doit être vérifiée par un technicien qualifié au cours de l'installation initiale et chaque année par la suite. Ce foyer utilise une technologie de rectification de la flamme. Si la vieilleuse est tournée trop bas vers le bas, le détecteur de flamme ne détectera pas la flamme et la vieilleuse ne pourra pas rester allumée. N'abaissez pas la flamme de la vieilleuse. La tige de détecteur de flamme peut être recouverte de débris après quelques mois d'utilisation. Il est important de nettoyer la tige de détecteur de flamme à l'aide de toile émeri en cas de dysfonctionnement de la flamme après quelques mois d'utilisation. Des facteurs environnementaux hors du contrôle d'Ashtey peuvent provoquer un dysfonctionnement de la flamme.

COMMENT ACCÉDER AUX COMPOSANTS

Les descriptions ci-dessous indiquent où se trouvent les principaux composants et comment y accéder pour l'entretien. Les descriptions montrent comment accéder aux composants après l'installation. Tous les composants sont également accessibles depuis l'extérieur du foyer avant l'installation.

Vieilleuse : La vieilleuse se trouve dans le coin arrière gauche de la boîte à combustion, derrière le brûleur.

Vanne de gaz : La vanne de gaz principale se trouve dans la cavité inférieure de la boîte à combustion.

Assemblage complet de la vanne : Pour faciliter le travail sur les composants, ce foyer a été conçu avec la vanne, la vieilleuse, les caissons obturateurs, les câbles obturateurs et les conduites de gaz en tant que pièces d'un assemblage pouvant être retirées.

Module de commande de l'allumage : Le module de commande de l'allumage est monté dans la cavité inférieure à l'avant de la vanne de gaz. Le module de commande d'allumage est installé dans une boîte sur le plancher et munit d'un interrupteur ON/OFF.

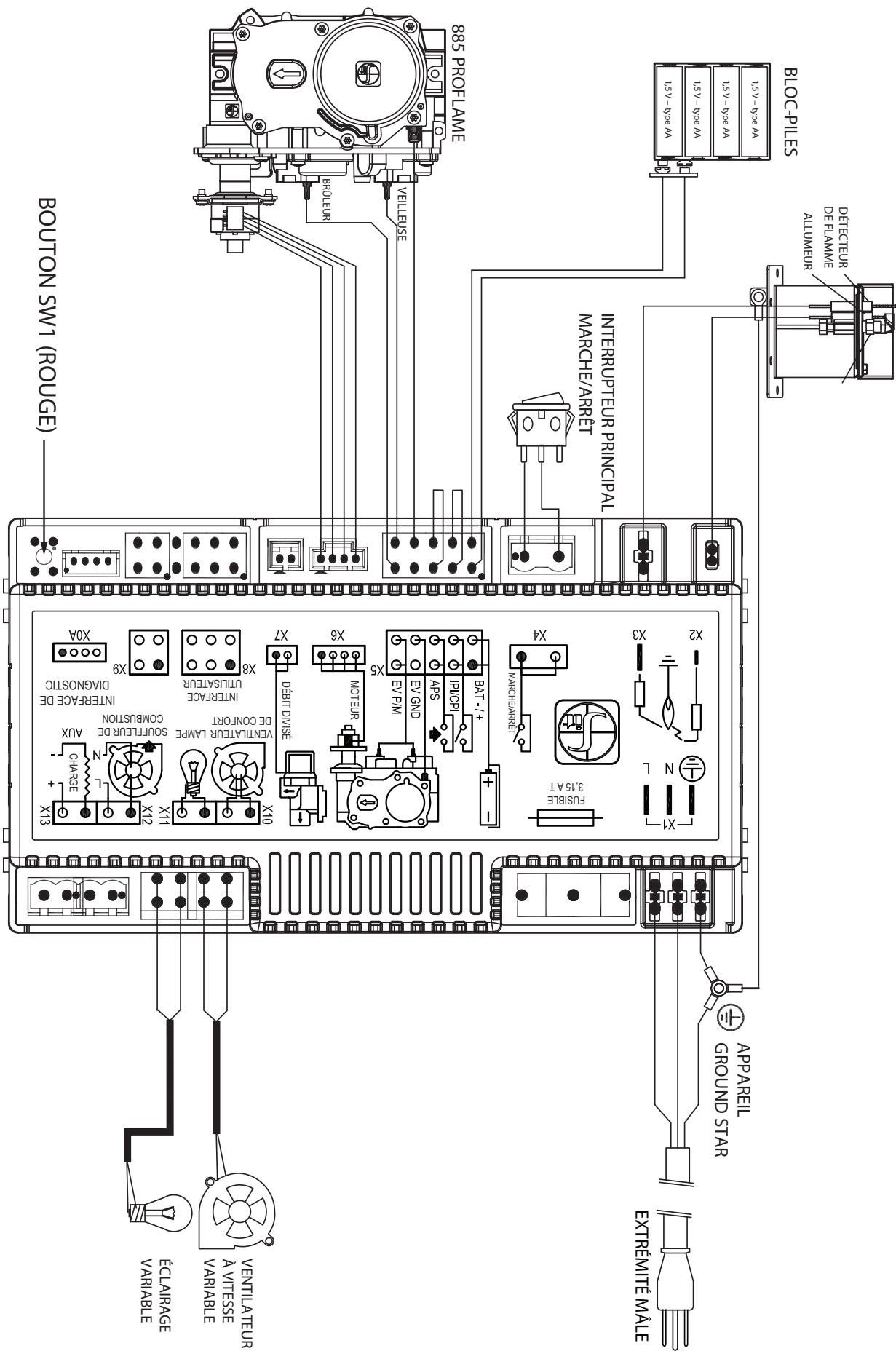
Ventilateur de convection : Le ventilateur de convection est monté sur la paroi arrière de la boîte à combustion, derrière le module de commande.

Éclairage d'accentuation : L'éclairage d'accentuation est monté dans la zone centrale de la partie supérieure de la boîte à combustion.

No. de pièce	Description	Quantité
28337	Base du brûleur	1
28338	Langnette de doubleur gauche	2
28339	Langnette de doubleur droite	2
28909	Passer à travers la housse	1
610633	Sous-ensemble du brûleur	1
80775	Assemblage du signal lumineux de haute température	1
80766	Ampoule à culot G9	1
610693	Conduit d'air co-linéaire	1
88297	Joint d'aéroglossière co-linéaire	1
88305	Joint latéral de la plaque du brûleur	2
88306	Joint avant et arrière de la plaque du brûleur	2
88307	Joint lumière	1
88309	Passer à travers le joint	2
610685	Assemblage du châssis de la porte vitrée	1
80709	Ventilateur	1
610981	Assemblage de la boîte du module de commande	1

28786	Couvercle du boîtier électrique	1
80763	Faisceau de câbles IFC, pas d'interrupteur CPI	1
80772	Faisceau d'interrupteur On/Off (Marche/Arrêt) IFC, 4 po	1
80649	Câble de mise à la terre	1
80773	Faisceau de ventilateur/lumière IFC, 1,50 po	1
C42373	Interrupteur à bascule	1
28785	Boîtier électrique	1
610789	Assemblage de la plaque du brûleur	1
81297	Vieilleuse de gaz	1
893032	Vanne à boule On/Off (Marche/Arrêt)	1
610797	Assemblage du porte-bûche	1
80761	Boîte de piles 9 V	1
892978	Assemblage du tube d'admission	1
80762	Transmetteur SIT (à distance) (SIT No. 0.584.040)	1

Schema de câblage



Panneau De Contrôle

AVERTISSEMENT: Si le brûleur et/ou la veilleuse ont été allumés, utilisez une protection appropriée pour éviter les brûlures ou des dommages aux biens personnels avant de retirer un composant. NE PAS UTILISER CET APPAREIL SANS AVOIR BIEN INSTALLÉ LE JOINT D'ÉTANCHÉITÉ (QUI SE TROUVE SOUS LE PANNEAU DE CONTRÔLE). SI LE JOINT EST ENDOMMAGÉ, IL DOIT ÊTRE REMPLACÉ.

AVERTISSEMENT: Vérifiez tous les raccords à l'eau savonneuse pour voir s'il n'y a pas de fuite, qu'elle ait été faite sur site ou en usine.

Informations Électriques

INSTRUCTIONS DE MISE À LA TERRE

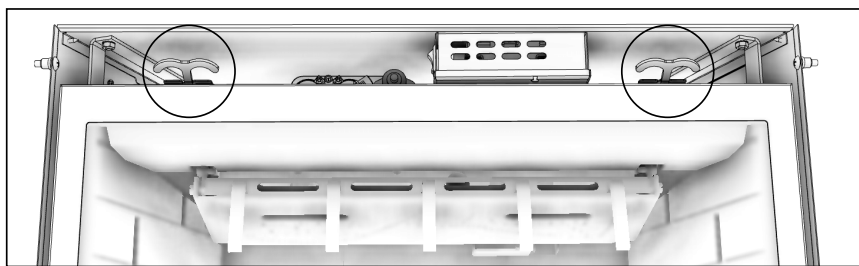
Cet appareil est équipé d'une fiche à trois broches (de mise à la terre) pour votre protection contre les risques d'électrocution et doit être branché directement sur une prise à trois broches correctement reliée à la terre. Ne pas couper ou retirer la broche de mise à la terre de cette fiche.

EXIGENCES DE CÂBLAGE

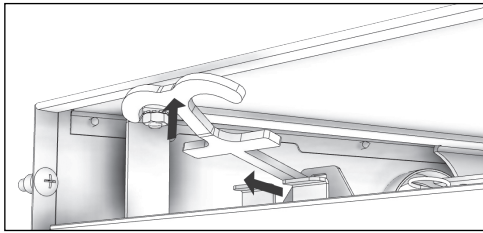
- Le module du système IFC nécessite une tension 120 volts d'électricité et/ou de piles pour fonctionner.
- La batterie de secours fera fonctionner uniquement le brûleur.
- La lumière et les composants du souffleur ne fonctionneront pas sur l'alimentation de secours.

AVERTISSEMENT: N'utilisez pas ce foyer si l'un des composants a été immergé dans l'eau. Communiquez immédiatement avec un technicien d'entretien qualifié afin qu'il inspecte cet appareil et qu'il remplace toute système de contrôle ou contrôle de gaz ayant été immergée dans l'eau.

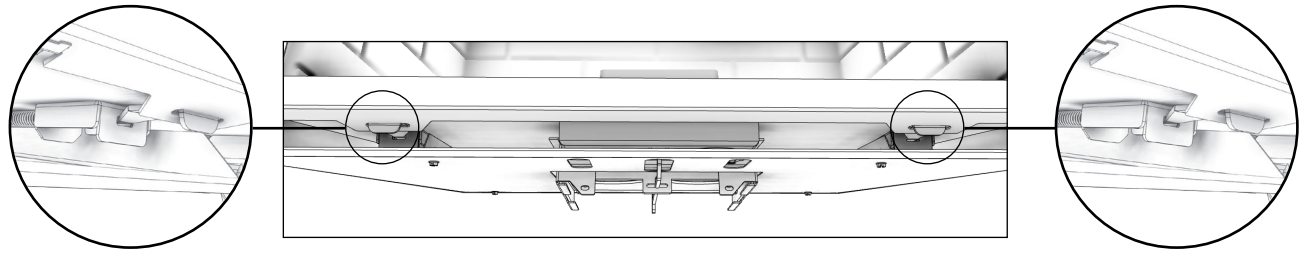
AVERTISSEMENT: Instructions de mise à la terre : Cet appareil est équipé d'une fiche à trois broches (de mise à la terre) pour votre protection contre les risques d'électrocution et doit être branché directement sur une prise à trois broches correctement reliée à la terre. Ne pas couper ou retirer la broche de mise à la terre de cette fiche.



1. Localisez les deux (2) loquets à ressorts qui fixent l'assemblage vitré au bas de la boîte à combustion.



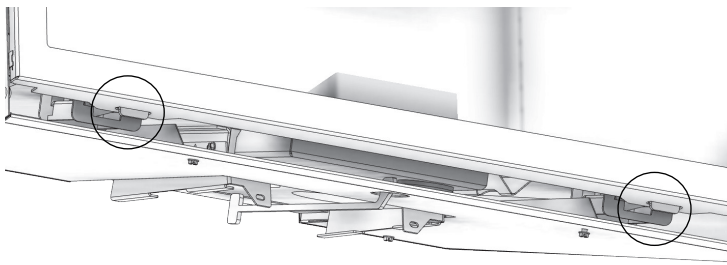
2. Tirez les loquets à ressorts vers l'extérieur et vers le bas pour libérer le bas de l'assemblage vitré.



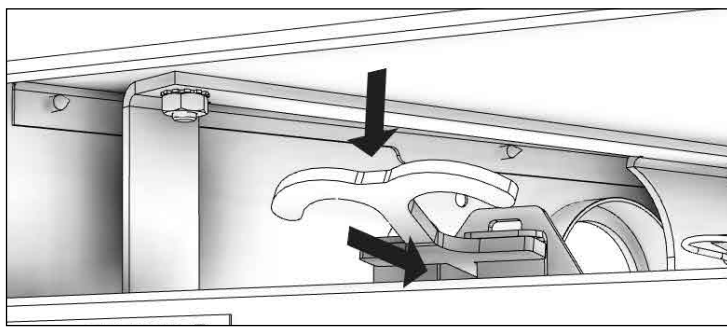
3. Soulevez l'assemblage vitré à l'aide des deux (2) languettes se trouvant en haut de la boîte à combustion.

INSTALLER L'ASSEMBLAGE VITRÉ

1. Alignez les encoches en haut de la vitre par-dessus les languettes se trouvant en haut de la boîte à combustion tout en abaissant la partie inférieure de la vitre en position. REMARQUE: Vous devrez peut-être incliner la vitre pour que les loquets accrochent correctement la vitre.

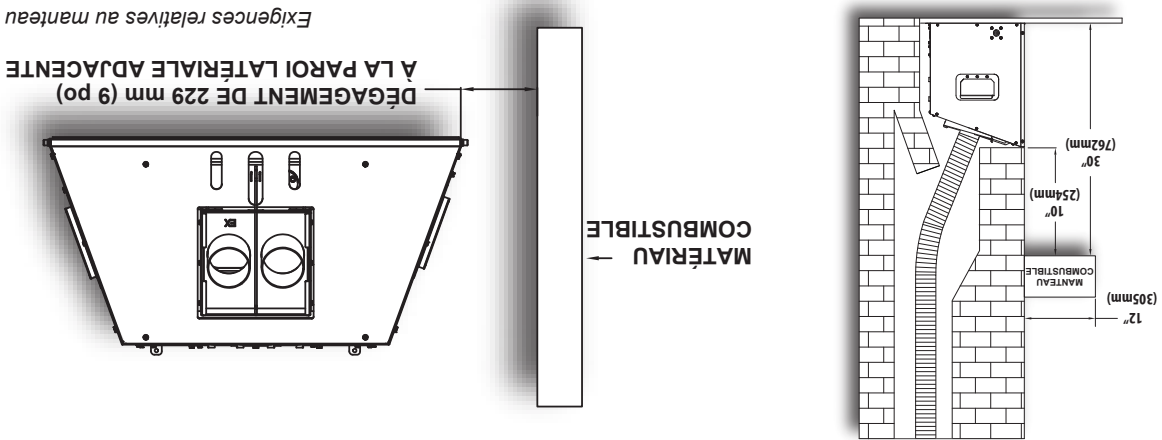


2. Tirez les loquets à ressorts vers l'extérieur et vers le haut pour libérer le bas du foyer.



Revêtement Et Finition

DÉGAGEMENTS PAR RAPPORT AUX MATÉRIAUX COMBUSTIBLES



Installation Des Bûches, Doubles Et Barrières Et Enceintes De Sécurité

AVERTISSEMENT: Ne pas placer les bûches directement au-dessus des orifices du brûleur. Des bûches mal placées pourraient avoir des répercussions sur l'aspect de la flamme et provoquer une accumulation excessive de suie sur les bûches et la vitre.

- En cas de conversion au GPL (propane), faire cette conversion avant d'installer les simili-bûches. Suivre les instructions de conversion incluses dans la trousse.
 - Consulter les feuillets d'instructions fournis avec votre ensemble de bûches et de doublure pour une installation conforme.
- Seuls des ensembles de bûches et de doublure homologués doivent être utilisés avec l'appareil. REMARQUE: Ce foyer ne doit pas être mis en route sans que les bûches, enceintes et doublures homologuées soient correctement installées. Une utilisation sans une installation correcte des bûches, enceintes et doublures homologuées pourrait causer des dommages à l'appareil.

AVERTISSEMENT: Une barrière conçue pour réduire les risques de brûlures provenant de la vitre chaude est fournie avec cet appareil et doit être installée pour protéger les enfants et autres personnes à risque. Si la barrière est endommagée, elle doit être remplacée par une barrière provenant du fabricant de cet appareil. Seules des portes homologuées doivent être utilisées avec l'appareil.

AVERTISSEMENT: Tenir compte de la hauteur du matériau de finition de l'âtre lors de la construction d'une plateforme. L'installation de barrières de sécurité avec chevauchement exige que le bas du foyer soit de niveau avec l'âtre fini. Pour les instructions d'installation, reportez-vous à « Installations de la barrière de sécurité ».

Ne pas utiliser cet appareil sans barrière de sécurité. Seules des barrières de sécurité homologuées doivent être utilisées avec l'appareil. Seuls les accessoires de décoration fournis par le fabricant devront être utilisés dans l'installation de cet appareil. Aucun panneau de garniture ou enceinte de ne doit sceller les ouvertures de ventilation qui se trouvent dans le foyer sur lequel cet appareil est installé.

Configuration De L'encastable Du Foyer À Gaz

Ensemble de journaux certifiés	893263
Ensemble de doublures certifiées	893249
Surround certifié	640727
Barrière de sécurité certifiée	611010

ASSEMBLAGE DU CADRE VITRÉ

AVERTISSEMENT: Ne pas utiliser ce foyer lorsque la vitre est enlevée, fêlée ou brisée. Le remplacement de l'assemblage vitré doit être effectué par un personnel d'entretien qualifié ou certifié.

AVERTISSEMENT: Utilisez uniquement les pièces et les matériaux homologués lors du remplacement d'une déflecteuse ou endommagée.

RETIRER L'ASSEMBLAGE VITRÉ

AVERTISSEMENT: Ne pas retirer la vitre lorsqu'elle est chaude.

Pressions d'alimentation en gaz		
Combustible	Pression minimale	Pression maximale
Gaz naturel	5 po CE (1,25 kPa)	10,5 po CE (2,62 kPa)
Gaz PL	12 po CE (2,99 kPa)	14 po CE (3,48 kPa)

- Si l'encastrement est installé dans des dimensions minimales d'ouverture, la conduite de gaz doit être installée après l'installation de l'appareil en raison de limites d'espace (veuillez vous reporter à la rubrique intitulée « Exigences minimales en matière d'ouverture du foyer existant de ces composants, veuillez vous conformer aux codes locaux.
- Une vanne d'arrêt manuelle avec poignée en forme de T de 1/2 po (13 mm) et un connecteur de gaz flexible homologués (et approuvés par le Commonwealth du Massachusetts) doivent être raccordés à l'entrée de la vanne de contrôle de 1/2 po (13 mm). En cas de remplacement déconnecté du système de conduite d'approvisionnement en gaz en fermant la vanne d'arrêt manuelle.
- Lors des tests de pression si la pression excède 3,5 kPa (1/2 psi), Pour les tests de pression inférieurs ou égaux à 3,5 kPa (1/2 psi), l'appareil doit être REMARQUE: Cet appareil et sa vanne d'arrêt individuelle doivent être déconnectés du système de conduite d'approvisionnement en gaz lors des tests de pression si la pression excède 3,5 kPa (1/2 psi). Pour les tests de pression inférieurs ou égaux à 3,5 kPa (1/2 psi), l'appareil doit être déconnecté du système de conduite d'approvisionnement en gaz en fermant la vanne d'arrêt manuelle.
- Faites passer la conduite de gaz dans le foyer, préféablement à travers les ouvertures gauches et droites de la conduite de gaz fournies. La conduite de gaz doit être mise en place jusqu'au point de raccordement de la vanne d'arrêt et la conduite de gaz flexible.
- Ne placez pas la conduite de gaz de manière à traverser le fonctionnement du ventilateur.
- Pour les installations en haute altitude, consulter le distributeur de gaz local ou l'autorité compétente pour obtenir les procédures appropriées.

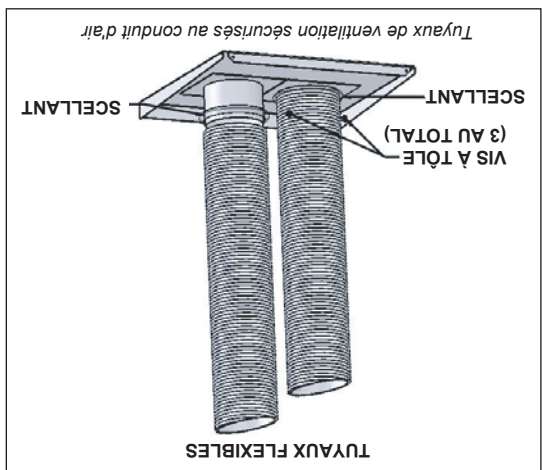
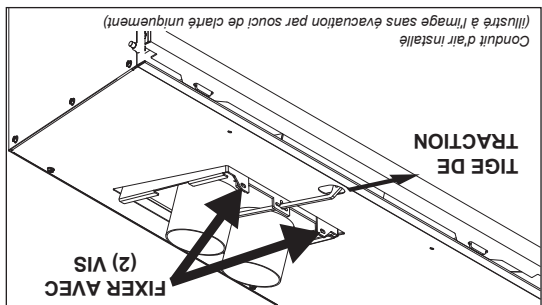
INSTALLATION DE LA CONDUITE DE GAZ

Ce foyer est fabriqué pour être utilisé avec du gaz naturel. Suivez les instructions incluses avec le kit de conversion AG26LPC en cas de conversion au GPL.

AVERTISSEMENT: La conversion doit être réalisée selon les exigences des autorités provinciales compétentes, et conformément aux obligations émanant du code d'installation ANSI Z223.1.

CONVERSION DE GAZ (VENDU SÉPARÉMENT)

Raccordement De La Conduite De Gaz



1. Faites glisser l'encastrement du foyer à gaz dans l'ouverture du foyer existant jusqu'à ce que les canaux situés en haut de l'appareil soient alignés au conduit d'air.
2. Insérez la tige de traction du conduit d'air à travers la fente d'accès située en haut de l'appareil et placez le crochet de la poignée de tirage à travers l'ouverture dans la tige de traction. Poussez l'encastrement dans le foyer tout en tirant simultanément sur la conduite d'air vers l'avant jusqu'à ce qu'elle soit en place.
3. Fixez la conduite d'air à l'appareil en utilisant les fentes qui se trouvent en haut de l'appareil en utilisant deux (2) vis en tôle de 1/2 po (13 mm).
4. Utilisez la poignée à tige de traction pour tirer la conduite d'air vers la position de démarrage. Retirez la poignée de tirage. Vérifiez le raccordement du système d'évent.
5. Si nécessaire, veuillez mettre à niveau l'encastrement à l'aide de boulons de nivellement dans les écrous situés au bas de l'encastrement (2 de chaque côté). Vérifiez que l'appareil est bien placé.

PLACER ET SÉCURISER L'APPAREIL

1. Rallongez soigneusement les tuyaux d'entrée d'air à combustion pour qu'ils atteignent la longueur totale requise de la cheminée.
2. Faites glisser le tuyau d'entrée d'air à combustion au-dessus du collier du chapeau de sortie à l'aide de trois (3) vis auto taraudeuses.
3. Placez un cordon de pâte à sceller pour les températures élevées autour du bord intérieur de l'extrémité du tuyau d'échappement et faites glisser sur le chapeau de sortie.
4. Fixez le tuyau d'échappement au chapeau de sortie à l'aide de trois (3) vis auto taraudeuses. Appliquez un scellant supplémentaire pour température élevée autour du joint pour assurer une étanchéité adéquate.
5. Complétez l'installation du système d'évent tel qu'illustré dans le présent manuel.

RETIRER LE CONDUIT D'AIR

AVERTISSEMENT: Toute l'information stipulée dans la rubrique intitulée « Préparation de l'installation » de ce manuel doit être complétée avant de pouvoir continuer cette installation.

Retirez le conduit d'air au-dessus de l'appareil en faisant glisser le conduit d'air vers l'extérieur des canaux. Veuillez vous reporter aux instructions suivantes pour fixer le système d'évent au conduit d'air.

EXÉCUTER LE SYSTÈME D'ÉVENT

REMARQUE: XSI des décalages sont présents dans la cheminée existante, placez une corde autour des extrémités du tuyau pour les guider à travers la cheminée. NE PAS ESSAYER D'ATTACHER UNE CORDE AUTOUR DES DEUX TUYAUX.

- Pour éviter les courants d'air froid, il est recommandé d'isoler les tuyaux de ventilation flexibles de 3 po x 3 po et la cheminée en utilisant des produits d'isolation non revêtus et répertoriés comme non combustibles selon la norme ASTM E 136.

1. **FACULTATIVE:** Avant d'installer le système d'évent dans la cheminée, placez le produit d'isolation non revêtu autour des premiers 3 pieds (914 mm) du système d'évent sous le chapeau de sortie. Fixez le tout à l'aide de câbles.

2. Installez les tuyaux flexibles de 3 po x 3 po à travers la cheminée existante. Guidez les câbles (le cas échéant) pour faciliter l'installation. Pour fixer le chapeau de sortie de la cheminée à la cheminée, appliquez une quantité généreuse de cordon de pâte à sceller pour les températures élevées autour de la partie supérieure de la cheminée. Fixez le chapeau de sortie en place en suivant le manuel d'installation du fabricant du système d'évent.

4. De l'intérieur du foyer existant, tirez soigneusement les câbles (si vous en avez utilisés) ou les tuyaux flexibles vers le bas jusqu'à ce que le tuyau d'échappement et d'entrée d'air à combustion soient dans la boîte à combustion du foyer existant.
5. **FACULTATIVE:** Pour éviter la perte de chaleur dans la cheminée, placez des produits d'isolation non revêtus entre les tuyaux de ventilation flexibles de 3 po x 3 po et la cheminée.

AVERTISSEMENT: Le bon fonctionnement de cet appareil exige que les tuyaux d'échappement et d'air à combustion soient connectés au bon collier, sur l'ensemble de sortie et la conduite d'air de l'encastable du foyer à gaz.

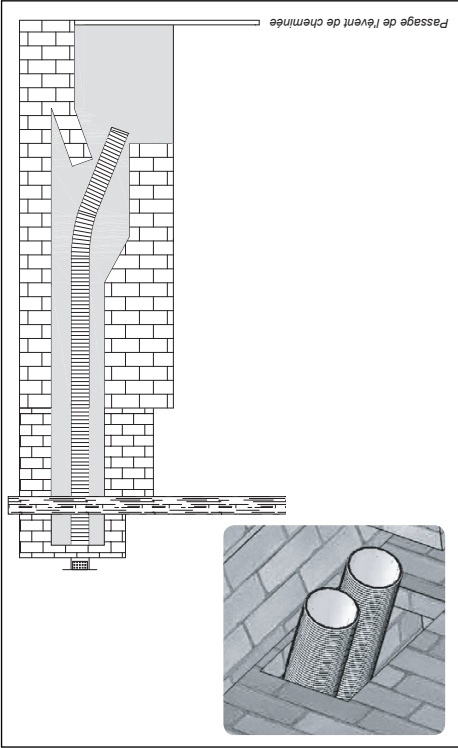
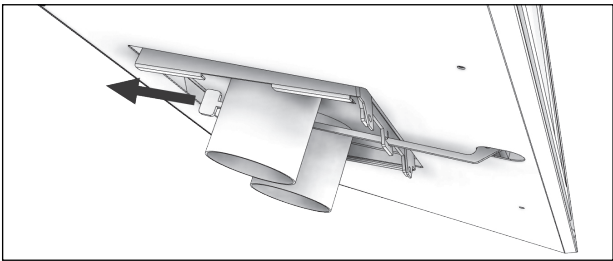
CONNECTER LE TUYAU DE VENTILATION AU CONDUIT D'AIR

1. Placez le conduit d'air précédemment retiré dans l'ouverture du foyer existant.

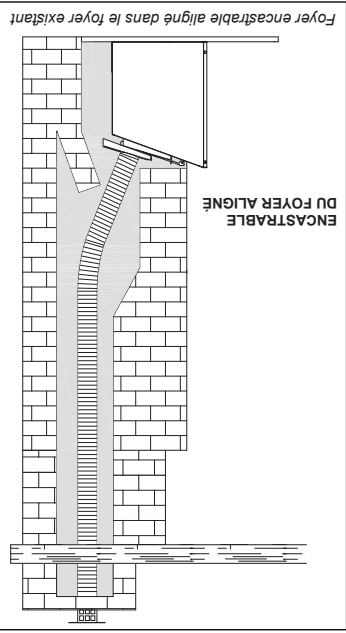
2. Connectez le tuyau de ventilation au collier d'évacuation situé sur le conduit d'air. Placez un cordon de pâte à sceller pour les températures élevées autour du tuyau d'échappement et faites glisser à l'intérieur. Fixez à l'aide de trois (3) vis auto taraudeuses de 1/2 po (13 mm). Appliquez un scellant supplémentaire pour température élevée autour du joint pour assurer une étanchéité adéquate.

3. Connectez le tuyau de ventilation d'entrée d'air au conduit d'air. Appliquez une quantité généreuse de cordon de pâte à sceller pour les températures élevées autour de l'entrée située sur le conduit d'air. Faites glisser sur le tuyau d'entrée à combustion et fixez à l'aide de trois (3) vis auto taraudeuses de 1/2 po (13 mm). Appliquez un scellant supplémentaire pour température élevée autour du joint pour assurer une étanchéité adéquate.

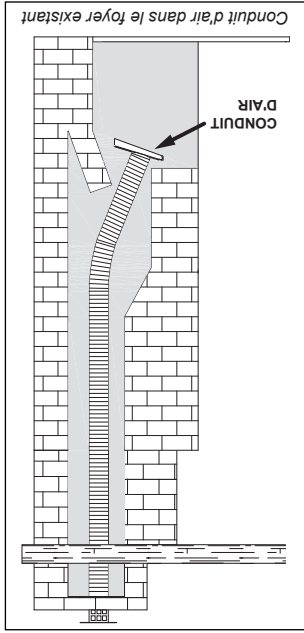
4. Vérifiez visuellement le raccordement entre le tuyau de ventilation et le conduit d'air. Cet appareil est homologué pour une évacuation à l'aide des composants d'évacuation DuraVent, BDM, ICC et Olympia.



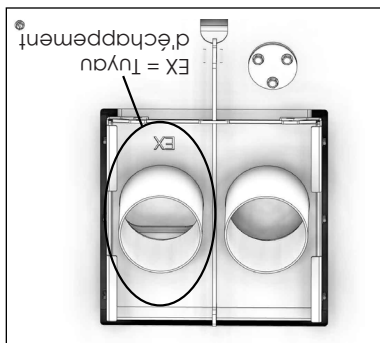
Passage de l'évent de cheminée



ENCASTRABLE DU FOYER ALIGNÉ



CONDUIT D'AIR



AVERTISSEMENT: Le bon fonctionnement de cet encastrable exige que les tuyaux d'échappement et d'air à combustion soient connectés au bon collier, sur l'ensemble de sortie et la conduite d'air de l'encastrable du foyer à gaz. L'évacuation du conduit d'air de l'encastrable du foyer se trouve sur le côté droit. Installez le chapeau de sortie au côté droit.

SYSTÈME D'ÉVENT CO-LINÉAIRE

Installation

WARNING:
 THIS FIREPLACE HAS BEEN CONVERTED FOR USE WITH A GAS FIREPLACE
 UNLESS ALL ORIGINAL PARTS HAVE BEEN REPLACED, AND THE FIREPLACE
 RE-APPROVED BY THE AUTHORITY HAVING JURISDICTION.
AVERTISSEMENT:
 CE Foyer a été converti pour utilisation avec un foyer au gaz
 encastrable et ne peut être utilisé pour brûler du bois ou
 d'autres combustibles solides à moins que toutes les pièces
 d'origine aient été remplacées et que le foyer ait été approuvé de
 nouveau par l'autorité compétente.
 853071

l'encastrable du foyer à gaz vient à être retiré. Veuillez attacher mécaniquement l'étriquette avec l'avertissement suivant au bas de la boîte à combustion existante afin qu'elle soit visible si

CONVERSION DU FOYER

Des mesures doivent être prises pour fournir une alimentation électrique pour faire fonctionner l'appareil. Veuillez vous reporter à la rubrique intitulée Dimensions de l'appareil de ce manuel pour connaître l'emplacement du boîtier de sortie électrique afin de relier tous les câblages électriques nécessaires à l'encastrable du foyer à gaz.

CABLAGE ÉLECTRIQUE

Une conduite de gaz doit pouvoir être installée à l'encastrable (voir la rubrique intitulée «Raccordement de la conduite de gaz» du présent manuel). Si le foyer préfabriqué ne possède pas d'orifice d'accès au gaz, un orifice d'accès de 1-1/2 po (37,5 mm) ou moins peut être percé à travers les côtés intérieurs ou la partie inférieure de la boîte à combustion selon les règles de l'art. L'orifice d'accès doit être branché avec une isolation non combustible après que la conduite d'entrée de gaz ait été installée. Installez la conduite de gaz dans l'encastrable du foyer à gaz en la faisant passer à travers l'orifice de la conduite de gaz fourni. Ne placez pas la conduite de gaz de manière à entraver le fonctionnement du ventilateur. Si l'encastrable du foyer à gaz est installé dans des dimensions minimales d'ouverture, la conduite de gaz doit être installée après l'installation de l'appareil en raison de limites d'espace.

CONDUITE DE GAZ

Le registre de tirage de l'appareil peut être entièrement bloqué en position ouverte ou retiré pour permettre l'installation de cet encastrable du foyer à gaz. Enlevez le couvercle de la cheminée existante.

REGISTRE DE TIRAGE

- Vérifiez si la cheminée existante a été bâtie en utilisant des matériaux non combustibles.
- Vérifiez si la cheminée existante est propre et en bon état de marche. Nettoyez la cheminée et le foyer pour éviter qu'une odeur de créosote ne vienne pénétrer votre domicile.
- Vérifiez que les dégagements autour du manteau combustible et de la paroi latérale sont conformes à la rubrique intitulée «Installation des barrières de sécurité» du présent manuel.
- Le réfractaire, les portes vitrées, les rails de l'écran, les mailles de l'écran et les grilles de foyer doivent être retirés du foyer existant avant d'installer cet encastrable de foyer à gaz.

INSPECTER ET NETTOYER LA CHEMINÉE EXISTANTE

ATTENTION: Toute pièce retirée doit pouvoir être réinstallée si l'encastrable vient à être retiré un jour. Le retrait des rivets ou des vis est acceptable.

REMARQUE: CET ENCASTRABLE DE FOYER À GAZ EST APPROUVÉ POUR L'INSTALLATION DANS LES FOYERS DE MAÇONNERIE ET FOYERS À COMBUSTION SOLIDE PRÉFABRIQUÉS.

Préparation De L'installation

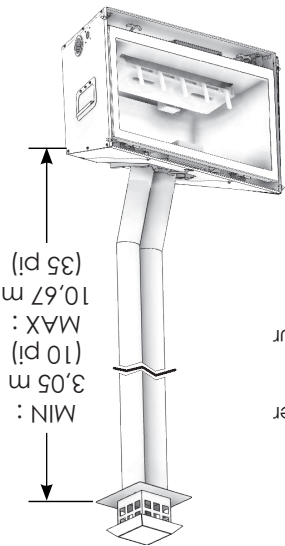
REMARQUE: CET ENCASTRABLE DE FOYER À GAZ EST APPROUVÉ POUR L'INSTALLATION DANS LES FOYERS DE MAÇONNERIE ET FOYERS À COMBUSTION SOLIDE PRÉFABRIQUÉS.

HAUTEUR DE LA CHEMINÉE EXISTANTE

- Minimum : 3,05 m (10 pi) Maximum : 10,67 m (35 pi)

DÉTERMINER LA LONGUEUR DE LA CHEMINÉE EXISTANTE

1. Enlevez et jetez le couvercle de la cheminée existante.
2. Il serait bon d'avoir deux personnes pour compléter cette étape. Placez une personne au niveau du foyer et l'autre en haut de la cheminée.
3. Mesurez de la base du foyer à la partie supérieure de la cheminée.
4. Soustrayez la hauteur de l'encastable à partir de la mesure précédente. Ceci correspond à la longueur totale du tuyau en aluminium flexible co-linéaire requise pour votre installation.

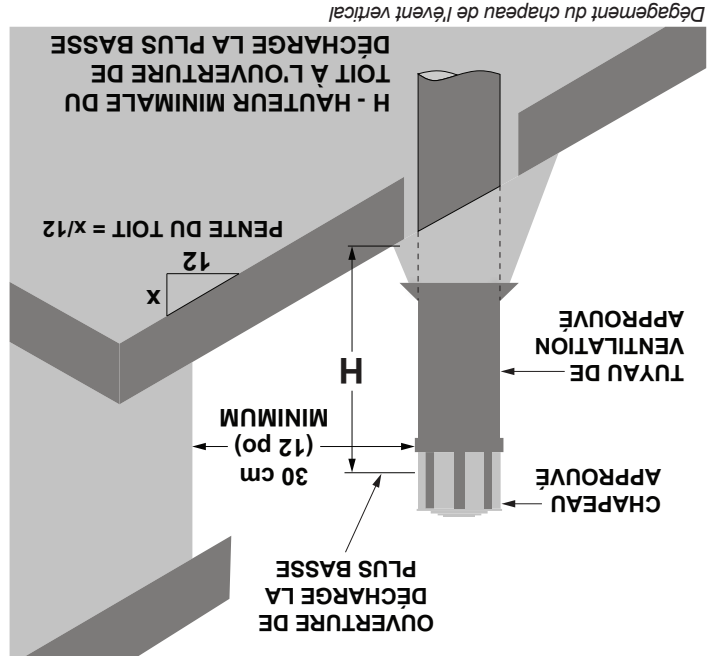


Emplacement De sortie

DÉGAGEMENTS MINIMAUX DE SORTIE DE L'ÉVÉN

AVERTISSEMENT: Cet appareil ne doit ni partager ni être connecté à un conduit de fumée desservant un autre appareil.

- Les chapeaux d'évent approuvés exigent un dégagement de 305 mm (12 po) autour des parois en intersection, des surplombs ou avant-toits, tel que vérifié par des données d'essai.

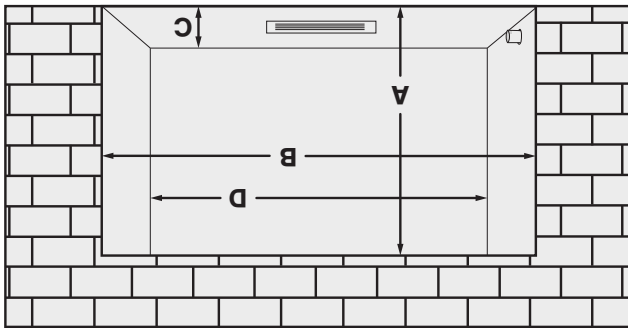


Hauteur minimale (H) à partir de la toiture		Pente du toit	Pieds	Mètres
Plat à 6/12			1,0	0,30
De 6/12 à 7/12			1,25	0,38
De 7/12 à 8/12			1,5	0,46
De 8/12 à 9/12			2,0	0,61
De 9/12 à 10/12			2,5	0,76
De 10/12 à 11/12			3,25	0,99
De 11/12 à 12/12			4,0	1,22
De 12/12 à 14/12			5,0	1,52
De 14/12 à 16/12			6,0	1,83
De 16/12 à 18/12			7,0	2,13
De 18/12 à 20/12			7,5	2,27
De 20/12 à 21/12			8,0	2,44

- Cheminée en maçonnerie : Diamètre intérieur minimal de 152 mm x 203 mm (6 po x 8 po)
 - Cheminée à combustible solide préfabriquée : Diamètre intérieur minimal de 178 mm (7 po)
- La cheminée existante doit comporter l'une des caractéristiques suivantes :
- Cet encastable de foyer doit être installé dans un foyer de maçonnerie à combustible solide ou non combustible préfabriqué qui a été installé conformément aux codes du bâtiment nationaux, provinciaux, étatiques et locaux.

AVERTISSEMENT: Tous les regards de nettoyage de la cheminée doivent s'ajuster correctement.

SPÉCIFICATIONS DE LA CHEMINÉE



A	Hauteur	20	508
B	Largueur avant	31	788
C	Profondeur	17	432
D	Largueur arrière	19	483
			mm
			poüces

EXIGENCES MINIMALES EN MATIÈRE D'OUVERTURE DU FOYER EXISTANT

- Toute tablette à fumée, tout écran et tout déflecteur doit être retiré s'il est attaché à l'orifice d'attaches mécaniques. Le cas échéant, retirez la brique réfractaire pour obtenir au moins les exigences d'ouverture minimales.
- Il est interdit de découper des pièces en tôle provenant du foyer existant.
- Si le plancher métallique est retiré, l'encastable doit être directement placé sur la base métallique du foyer métallique. Veuillez attacher mécaniquement l'étiquette « CET APPAREIL A ÊTRE MODIFIÉ » au bas de la boîte à combustion existante afin qu'elle soit visible si l'encastable du foyer à gaz vient à être retiré.

AVERTISSEMENT: Des espaces de dégagement suffisants pour permettre l'entretien de l'appareil ainsi qu'un fonctionnement adéquat de l'appareil doivent être respectés.

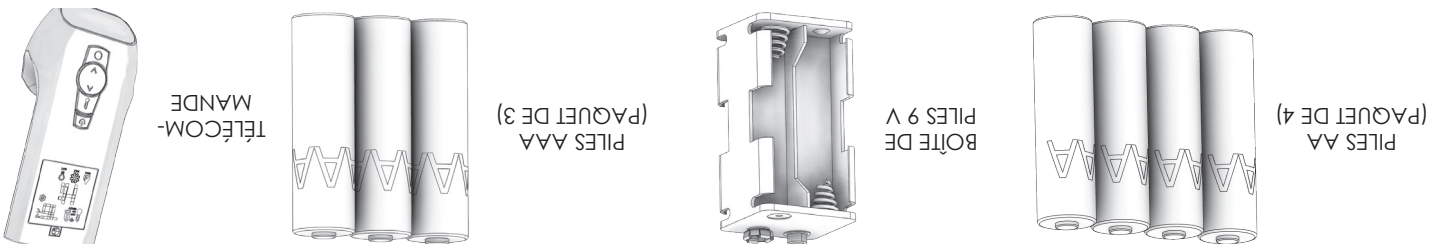
CARACTÉRISTIQUES DU FOYER EXISTANT

- L'encastable du foyer doit être installé sur une surface plane en mesure de soutenir l'encastable et l'évacuation du foyer.
- Cet encastable de foyer doit être installé dans une chambre à coucher.
- Veuillez prêter attention à la grande quantité de chaleur qui sera produite par cet encastable de foyer lorsque vous choisissez son emplacement.

AVERTISSEMENT: En raison des hautes températures de surface qu'il dégage, l'encastable du foyer doit être installé à l'écart de la circulation, des meubles et des rideaux.

PRISES EN COMPTE DU PLACEMENT DE L'APPAREIL

Exigences Du Foyer Existant



Lisez attentivement ce manuel du propriétaire et respectez toutes les instructions. Inspecter tout le contenu pour déceler d'éventuels dommages d'expédition et en informer immédiatement votre revendeur le cas échéant. Ne pas installer de pièces endommagées, incomplètes ou de remplacement. Examinez votre bordereau de marchandises pour vérifier que toutes les pièces énumérées ont été reçues.

Aperçu Des Pièces

REMARQUE: Le non-respect de ces instructions annulera la garantie.

AVERTISSEMENT: Ne pas surcharger les espaces aériens avec de l'isolant ou d'autres matériaux. Cela pourrait provoquer une montée de température et présenter un risque d'incendie et des blessures graves, des dommages matériels ou la mort. Le fonctionnement d'un système d'évacuation mal installé et mal entretenu peut entraîner des blessures graves, des dommages matériels ou la mort.

AVERTISSEMENT: Cet appareil doit être muni d'une évacuation vers l'extérieur. Le système d'évacuation ne doit jamais être fixé à une cheminée qui dessert un autre appareil à combustible solide. Chaque appareil à gaz doit utiliser un système de ventilation distinct. Ne pas utiliser de système d'évacuation courant.

AVERTISSEMENT: Lisez complètement et attentivement toutes les instructions avant de commencer l'installation. Ne pas le faire peut entraîner des blessures graves, des dommages matériels ou la mort. Le fonctionnement d'un système d'évacuation mal installé et mal entretenu peut entraîner des blessures graves, des dommages matériels ou la mort.

HAUTE ALTITUDE Cet appareil peut être installé à haute altitude. Veuillez vous reporter au National Fuel Gas Code ANSI Z223.1/NFPA 54, au Code sur l'installation des appareils au propane et au gaz naturel (CSA-B149.1), aux autorités locales ou aux codes ayant pour objet des directives réduites. Installations américaines - Veuillez vous reporter aux directives de l'American Gas Association pour la méthode de déclassement des appareils conçus pour le gaz. Pour les altitudes supérieures à 2 000 pi (610 m), les taux d'entrée doivent être réduits de 4 % par 1 000 pi (305 m) au-dessus du niveau de la mer. Installations canadiennes - Lors d'une installation de l'appareil à des altitudes supérieures à 4 500 pi (1 372 m), le classement certifié à haute altitude doit être abaissé de 4 % tous les 1 000 pi (305 m) supplémentaires.

Canadit

Gas Fireplace Energy Efficiency Rating

Based on CSA P4-1-15

65%

ENERGUIDE

Canadit

Gas naturel

Canadit

Gas Fireplace Energy Efficiency Rating

Based on CSA P4-1-15

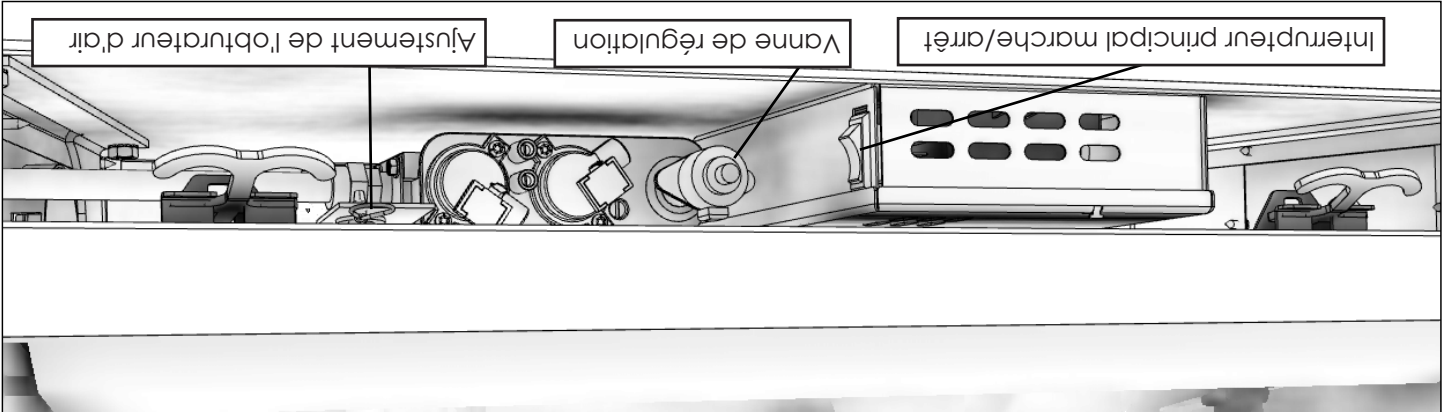
65%

ENERGUIDE

Canadit

Caractéristiques du gaz et dimension de l'orifice			
Combustible	Admission max. en BTU/heure	Admission min. en BTU/heure	Dimension de l'orifice
Gaz nat.	18 500	10 000	No. 45
PL	17 000	9 000	3/64 po

Pressions du gaz		
Propane (GPL)	Gaz naturel	
Pression minimale d'alimentation	5,0 po CE	12,0 po CE
Pression maximale d'alimentation	10,5 po CE	14,0 po CE
Pression d'admission	3,8 po CE	11,0 po CE



COMMANDES

Cet appareil :

- a été homologué pour fonctionner au gaz naturel ou au propane. Voir les plaques d'information correspondantes.
- doit utiliser une trousse de conversion pour brûler le gaz propane.
- n'est pas destiné à une utilisation avec des combustibles solides.
- est homologué pour une installation dans une chambre ou un salon-chambre.
- doit être installé conformément aux codes locaux le cas échéant. S'il n'y en a pas, utilisez le code d'installation courant. La norme ANSI Z223.1/NFPA 54 aux États-Unis, la norme CSA B149.1 au Canada.
- est homologué pour les maisons mobiles.
- doit être correctement raccordé à un système d'évacuation.
- est homologué pour une évacuation à l'aide des composants d'évacuation DuraVent, BDM, ICC et Olympia.

La classification « Matériau non combustible » inclut entre autres la pierre, la brique et le mortier. Les matériaux non combustibles peuvent recouvrir de façon sécuritaire la face métallique peinte en noir (y compris les plaques rayonnantes) et ne posent pas de risque d'incendie. Ne pas laisser un matériau de finition non combustible dépasser ou interférer avec l'ouverture. La classification « Matériau combustible » inclut entre autres le contreplaqué, les cloisons sèches ou les panneaux de particules. Les matériaux combustibles peuvent être en contact avec les côtés, le bas ou l'arrière de la boîte à combustion. Ne pas superposer la façade peinte en noir avec des matériaux combustibles.

SPÉCIFICATIONS DU PRODUIT

Caractéristiques Du Produit

AVERTISSEMENT: Ne jamais raccorder cet appareil à un puits de gaz privés (hors service public). Ce gaz s'appelle également gaz de tête de puits.

AVERTISSEMENT: VEUILLEZ LIRE ATTENTIVEMENT CE QUI SUIT Il n'est pas rare d'avoir des odeurs pendant la première combustion. Cela est dû au processus de fabrication. Veuillez vous assurer que votre pièce est bien aérée pendant la combustion : ouvrez toutes les fenêtres. Nous vous recommandons de faire brûler votre foyer pendant au moins dix (10) heures la première fois que vous l'utilisez. Placez l'interrupteur du ventilateur sur la position « Off » (ARRET) pendant cette période.

Avant De Commencer

AVERTISSEMENT: Lisez ce mode d'emploi attentivement et complètement avant de tenter d'assembler, de faire fonctionner ou de dépanner l'appareil. Toute modification de cet appareil ou de ses commandes peut être dangereuse. Une installation ou une utilisation inappropriée peut causer des blessures graves voire la mort par le feu, des brûlures, des explosions, une électrocution et une intoxication au monoxyde de carbone.

Il s'agit d'un produit à évent, il doit être installé de façon appropriée par un technicien qualifié. La porte vitrée doit être correctement placée des fuites de combustion peuvent se produire. EMPLOI NON CONFORME : Les signes précoques d'empoisonnement au monoxyde de carbone ressemblent aux symptômes typiques de la grippe, avec des maux de tête, des étourdissements ou de la nausée. Si vous avez ces symptômes, cela suggère que le système n'a pas été bien installé. Sortez immédiatement à l'air frais! Faites procéder à une inspection et un entretien par un technicien qualifié. Certaines personnes peuvent être davantage affectées par le monoxyde de carbone. Ces personnes incluent les femmes enceintes, les personnes présentant des problèmes cardiaques ou pulmonaires, les personnes ayant de l'anémie ou celles sous influence d'alcool, ou se trouvant à haute altitude. Le propane/propane liquide et le gaz naturel sont tous deux sans odeur. Un produit odorant est ajouté à chacun de ces gaz. Cette odeur vous permet de détecter les fuites de gaz. Cependant, l'odeur qui est ajoutée à ces gaz peut se dissiper. Des gaz peuvent se dégager même si l'ny a aucune odeur. Assurez-vous de lire et de comprendre tous les avertissements. Conservez ce manuel comme référence. Il est votre guide pour une utilisation sécuritaire et appropriée.

1. **L'installation et les réparations doivent être effectuées par un professionnel qualifié avant d'être utilisé, puis au moins une fois par année par celui-ci. Un entretien plus fréquent pourra être nécessaire en raison des peluches de tapis, de literie, etc. Il est primordial de maintenir la propreté des compartiments de contrôle, des brûleurs et des canaux de circulation d'air de l'appareil.**

2. Utilisez uniquement le type de gaz indiqué sur la plaque signalétique. Cet appareil n'est pas compatible avec d'autres types de gaz, à moins d'utiliser la trousses agréée à cet effet.

3. Ne pas placer le ou les réservoirs d'alimentation propane/PL à l'intérieur d'une construction. Placez les réservoirs d'alimentation propane/PL à l'extérieur. Pour éviter tout problème de performance, ne pas utiliser de réservoir de propane/PL de capacité inférieure à 100 lb.

4. Si vous décelez une odeur de gaz :
• Coupez l'alimentation en gaz.
• N'allumez aucun appareil.
• N'appuyez sur aucun interrupteur électrique et n'utilisez aucun téléphone dans le bâtiment.
• Rendez-vous chez votre voisin et appelez immédiatement votre fournisseur de gaz. Suivez les instructions du fournisseur de gaz.

5. Ne jamais installer :
• Dans un véhicule récréatif
• Où il y a des rideaux, des meubles, des vêtements ou autres objets inflammables à moins de 36 po en avant, au-dessus ou sur les côtés de l'appareil
• Dans les endroits à fort passage
• Dans les zones ventueuses ou à courants d'air

6. **Cet appareil atteint des températures élevées. Les enfants et les adultes doivent être informés des risques que comportent les surfaces à haute température et doivent demeurer à l'écart de celles-ci pour éviter les brûlures corporelles ou que des vêtements prennent feu. Il restera brûlant un certain temps après son arrêt. Laissez les surfaces refroidir avant de les toucher.**

7. Une surveillance étroite doit être exercée lorsque des enfants se trouvent dans la pièce où l'appareil est installé. Les enfants en bas âge et autres sont susceptibles de se brûler par contact accidentel. Nous recommandons l'existence d'une barrière physique s'il y a les personnes à risque dans la maison. Pour restreindre l'accès à un foyer ou un poêle, installez une barrière ajustable pour empêcher les tout-petits, les enfants en bas âge et les autres personnes à risque de s'approcher de la pièce et rester loin des surfaces chaudes.

8. En raison des hautes températures qu'il dégage, l'appareil doit être installé à l'écart de la circulation, des meubles et des rideaux. Les vêtements et autres matériaux inflammables ne doivent pas être déposés sur l'appareil ni près de celui-ci.

9. Ne modifiez en aucun cas l'appareil. Toute pièce retirée pour l'entretien de l'appareil doit être remplacée avant la remise en marche.

10. Étiquette et laissez refroidir l'appareil avant de l'entretenir, l'installer, le réparer. Seul un technicien qualifié doit l'installer, l'entretenir ou le réparer. L'inspection du système de combustion doit être effectuée par un technicien qualifié. Si nécessaire, faites nettoyer ou réparer le système d'évacuation.

11. Ne pas laisser de matériaux combustibles comme de l'essence et autres vapeurs et liquides inflammables à proximité de l'appareil. Ne pas faire fonctionner l'appareil, où ces matériaux sont utilisés ou stockés. Ne pas déposer des objets comme que des vêtements ou des décorations sur ou autour de l'appareil.

14. Ne pas utiliser pour cuire les aliments ou pour brûler du papier ou d'autres objets.

15. Ne déposer aucun objet sur l'appareil.

16. Ne pas utiliser de combustibles solides (bois, charbon, papier, carton, etc.) dans cet appareil. N'utilisez que le type de gaz indiqué sur la plaque signalétique.

17. Après installation, cet appareil doit être mis à la terre conformément aux codes locaux, ou en l'absence de code, au National Electrical Code, ANSI/NFPA 70, ou au Code de l'électricité du Canada, CSA C22.1.

18. N'obstruez en aucun cas le flux d'air de combustion ou de ventilation. Prévoyez un dégagement suffisant autour des bouches d'air de la chambre de combustion, ainsi que le dégagement d'accessibilité approprié pour l'entretien et le bon fonctionnement.

19. Ne pas utiliser si l'un des composants a été immergé. Communiqués immédiatement avec un technicien d'entretien qualifié afin qu'il procède à l'inspection et, si nécessaire, qu'il remplace toute pièce du système de contrôle ou commande de gaz ayant été immergée dans l'eau.

20. Ne pas utiliser si l'une des bûches est brisée.

21. Ne pas utiliser un insert soufflant, un échangeur de chaleur ou tout autre accessoire non homologué pour une utilisation avec cet appareil.

22. Ne pas utiliser lorsque la vitre avant est enlevée, fêlée ou brisée. Le remplacement de la vitre doit être effectué par un personnel d'entretien qualifié.

Exigences Pour Le Commonwealth Du Massachusetts

DISPENSES

L'équipement suivant est dispensé de l'article 248 CMR 5.08 (2) (a) 1 à 4 : L'équipement indiqué au chapitre 10 intitulé « Équipement ne nécessitant pas d'évacuation » dans la dernière édition de la norme NFPA 54 telle qu'approuvée par le conseil d'administration ; et l'équipement au gaz à évacuation murale homologué « Produit approuvé » installé dans une pièce ou une construction distincte du logement, de la construction ou du bâtiment utilisé en tout ou partie à des fins résidentielles.

EXIGENCE DU FABRICANT

Système d'évacuation de gaz fourni : Lorsque le fabricant de l'appareil au gaz à évacuation murale homologué « Produit approuvé » fournit un plan du système d'évacuation ou des composants du système avec l'équipement, les instructions fournies par le fabricant pour l'installation de l'équipement et du système d'évacuation doit comprendre :

- Des instructions détaillées pour l'installation du système d'évacuation ou ses composants ; et
- Une liste complète des pièces du modèle de système d'évacuation ou du système d'évacuation.

SYSTÈME D'ÉVACUATION D'ÉQUIPEMENT AU GAZ NON FOURNI

Lorsque le fabricant de l'appareil au gaz à évacuation murale homologué « Produit approuvé » ne fournit pas les pièces permittant l'évacuation des gaz de combustion, mais qu'il détermine des « systèmes d'évacuation spéciale » le dit fabricant doit respecter les exigences suivantes :

- Les systèmes d'évacuation spéciale « doivent être homologués » par le conseil d'administration et leurs instructions doivent comprendre une liste des pièces et des instructions d'installation détaillées.
- Une copie de toutes les instructions d'installation de l'appareil au gaz à évacuation murale homologué « Produit approuvé », de toutes les instructions pour le système d'évacuation, ainsi qu'une liste de toutes les pièces requises pour les instructions de l'évacuation et/ou toutes les instructions sur la conception du système d'évacuation, doivent être conservées avec l'appareil une fois l'installation terminée.

Les exigences ci-après font référence aux différents codes du Massachusetts et aux codes nationaux ne figurant pas dans ce manuel. Pour tout appareil au gaz à évacuation horizontale murale, le plombier (ou le monteur d'installations au gaz) doit vérifier la batterie de secours est installée au niveau du sol, où l'appareil au gaz doit être installé. De plus, le plombier (ou le monteur d'installations au gaz) doit vérifier qu'un détecteur de monoxyde de carbone câble ou à batterie, avec alarme, est installé à tous les autres étages du bâtiment, de l'habitation ou de la structure desservi par l'appareil au gaz à évacuation horizontale murale. Il va de la responsabilité du propriétaire de s'assurer de profitez services agréés pour l'installation des détecteurs de monoxyde de carbone, en cas d'installation de l'appareil au gaz à évacuation horizontale murale dans un vide sanitaire ou un grenier, le plombier le détecteur de monoxyde de carbone câble avec alarme et batterie de secours peut-être installé au niveau du plancher le plus proche. Si les exigences de cette sous-section ne peuvent pas être satisfaites au moment d'acheter l'installation, le propriétaire disposera d'une période de trente (30) jours pour se conformer aux exigences ci-dessus, pourvu toutefois qu'au cours de cette période de trente (30) jours, un détecteur de monoxyde de carbone à batterie avec alarme soit installé.

INSTALLATION DES DÉTECTEURS DE MONOXYDE DE CARBONE

Tous les détecteurs de monoxyde de carbone, tel qu'exigé conformément aux clauses ci-dessus, doivent être conformes à la norme NFPA 720 et être homologués ANSI/UL 2034 et certifiés par l'IAS.

SIGNALÉTIQUE

Une plaque d'identification en métal ou en plastique doit être fixée en permanence à l'extérieur du bâtiment, à au moins huit (8) pieds au-dessus du sol, directement aligné avec le tuyau du conduit d'évacuation pour le gaz évacué horizontalement de l'appareil ou l'équipement de chauffage. La plaque doit comporter l'inscription suivante en caractères d'au moins un demi-pouce (1/2 po) : « ÉVACUATION DE GAZ JUSTE EN DESSOUS, NE PAS OBSTRUER ».

INSPECTION

L'inspecteur du gaz local ou de l'état de l'appareil au gaz à évacuation horizontale murale ne doit pas approuver l'installation, sauf s'il observe lors de l'inspection que les détecteurs de monoxyde de carbone et la signalétique sont installés conformément aux dispositions de l'article 248 CMR 5.08 (2) (a) 1 à 4.

Étiquette De Sécurité

REMARQUE: Cette image n'est qu'un exemple. L'étiquette qui se trouve sur l'unité sera légèrement différente.

POUR PLUS DE SÉCURITÉ, LIRE AVANT DE METTRE EN MARCHÉ

AVERTISSEMENT : Quiconque ne respecte pas à la lettre les instructions de la présente notice risque de déclencher un incendie ou une explosion entraînant des dommages, des blessures, voire la mort.

A. Cet appareil est muni d'un dispositif d'allumage qui allume automatiquement la veilleuse. Ne tentez pas d'allumer la veilleuse manuellement.

B. AVANT DE FAIRE FONCTIONNER, remettez tout autour de l'appareil pour déceler une odeur de gaz. Remettez près du plancher, car certains gaz sont plus lourds que l'air et peuvent s'accumuler au niveau du sol.

- Ne pas tenter d'allumer d'appareil.
- Ne toucher à aucun interrupteur, ne pas se servir des téléphones se trouvant dans le bâtiment.
- Appelez immédiatement votre fournisseur de gaz chez un voisin.

C. Ne pousser ou tourner la manette d'admission du gaz qu'à la main. Ne jamais employer d'outil à la main. Ne jamais employer d'outil à cette fin. Si la manette reste coincée, n'essayez pas de la réparer, appelez un technicien qualifié. Quiconque tente de forcer la manette risquerait de déclencher une explosion ou un incendie.

D. N'utilisez pas cet appareil s'il a été plongé dans l'eau, même partiellement. Faites inspecter l'appareil par un technicien qualifié et remplacez toute partie du système de contrôle et toute commande qui ont été plongés dans l'eau.

INSTRUCTIONS DE MISE EN MARCHÉ

1. ARRÊTEZ! Lisez les instructions de sécurité sur la portion supérieure de cette étiquette.
2. Appuyez sur le bouton "OFF" (ARRÊT) de la télécommande.
3. Coupez l'alimentation électrique de l'appareil.
4. Cet appareil est équipé d'un dispositif d'allumage qui allume automatiquement la veilleuse à la main. Ne pas essayer d'allumer la veilleuse à la main.
5. Localisez le robinet manuel d'arrêt de gaz installé par votre installateur de service qualifié.
6. Tournez le robinet dans le sens horaire en position "OFF" (ARRÊT).
7. Remettez tout autour de l'appareil, y compris près du plancher, pour déceler une odeur de gaz. Arrêtez! Passez à l'étape B des instructions de sécurité sur la portion supérieure de cette étiquette. S'il n'y a pas de service qualifié.
8. Tournez le robinet dans le sens horaire en position "ON" (MARCHÉ).
9. Mettez l'appareil sous tension.
10. Appuyez sur le bouton "ON" (MARCHÉ) de la télécommande.
11. Si l'appareil ne se met pas en marche, suivez les instructions de la rubrique « Comment couper l'admission de gaz de l'appareil » et appelez un technicien qualifié ou le fournisseur de gaz.



de gaz.

de sécurité sur la portion supérieure de cette étiquette. S'il n'y a pas de service qualifié.

1. Appuyez sur le bouton "OFF" (ARRÊT) de la télécommande.

2. Coupez l'alimentation électrique de l'appareil s'il faut procéder à l'entretien.

3. Localisez le robinet manuel d'arrêt de gaz installé par votre installateur de service qualifié.

4. Tournez le robinet dans le sens horaire à la position "OFF" (ARRÊT).

COMMENT COUPER L'ADMISSION DE GAZ DE L'APPAREIL



de gaz.

de sécurité sur la portion supérieure de cette étiquette. S'il n'y a pas de service qualifié.

1. Appuyez sur le bouton "OFF" (ARRÊT) de la télécommande.

2. Coupez l'alimentation électrique de l'appareil s'il faut procéder à l'entretien.

3. Localisez le robinet manuel d'arrêt de gaz installé par votre installateur de service qualifié.

4. Tournez le robinet dans le sens horaire à la position "OFF" (ARRÊT).

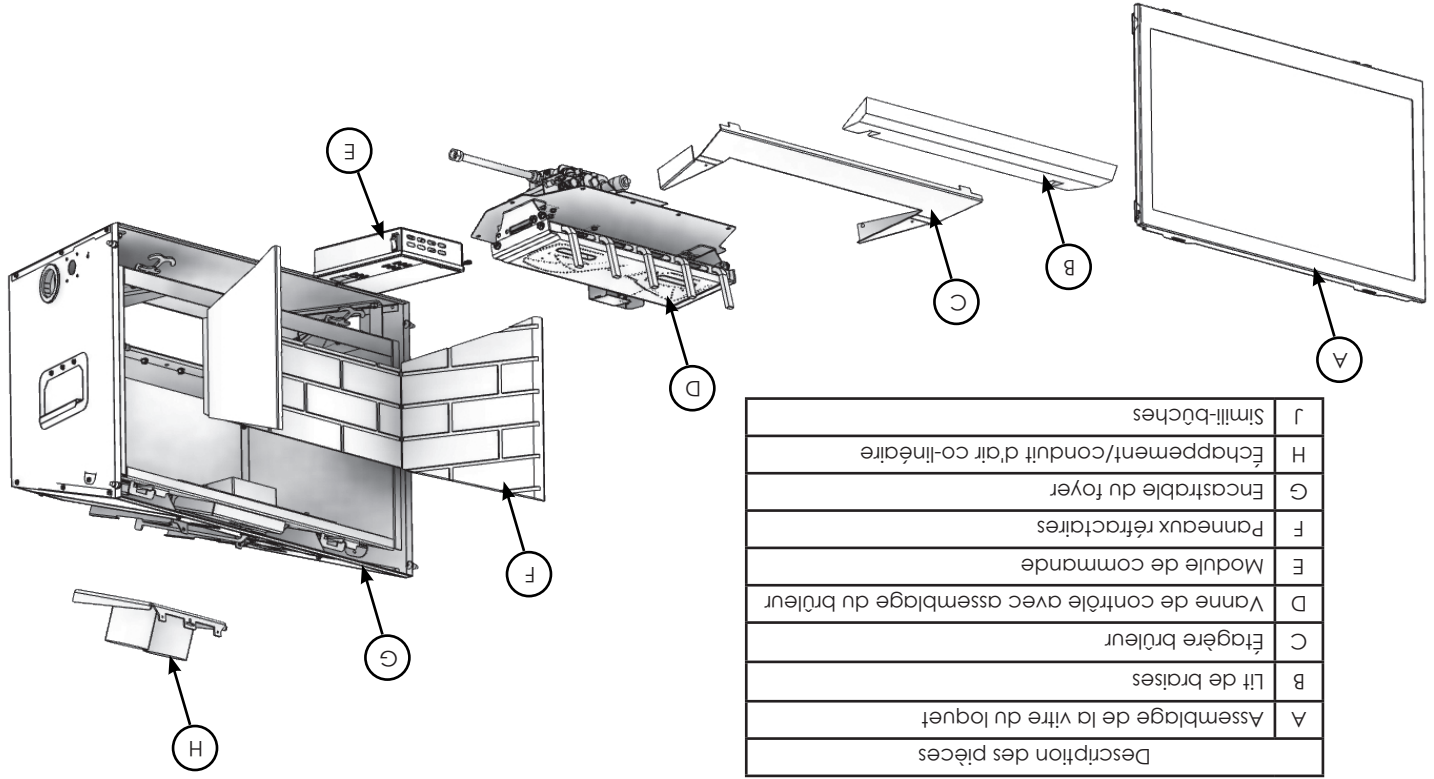
AVERTISSEMENT

LA VITRE CHAUDE PROVOQUE DES BRÛLURES. NE PAS TOUCHER LA VITRE JUSQU'À CE QUE LLE AIT REFROIDI. NE JAMAIS LAISSER DES ENFANTS TOUCHER LA VITRE.



Une barrière conçue pour réduire les risques de brûlures provenant de la vitre chaude est fournie avec cet appareil et doit être installée pour protéger les enfants et autres personnes à risque.

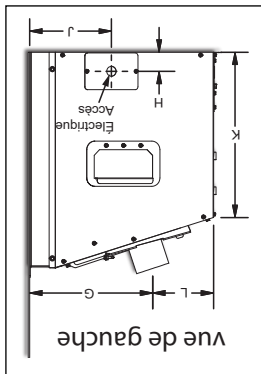
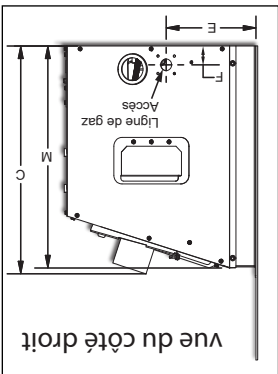
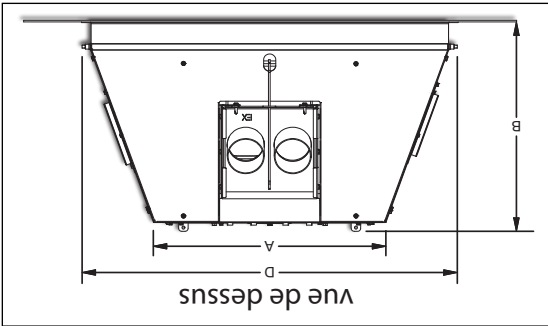
REMARQUE: De la condensation va apparaître sur la vitre lors du premier allumage de ce foyer. Il s'agit d'un phénomène normal dans tous les foyers à gaz et elle disparaîtra au bout de quelques minutes. Vous sentirez une odeur de peinture au cours des premières heures de la combustion. Nous vous recommandons de laisser le ventilateur éteint pendant cette période afin d'accélérer la polymérisation de la peinture. Ce foyer peut produire des bruits de degrés divers lorsque l'appareil chauffe et se refroidit, en raison de la dilatation et la contraction du métal. Il s'agit d'un phénomène normal qui n'a pas d'incidence sur la performance ou la longévité du foyer.



Description des pièces	
A	Assemblage de la vitre du loquet
B	Lit de braises
C	Étagère brûleur
D	Vanne de contrôle avec assemblage du brûleur
E	Module de commande
F	Panneaux réfractaires
G	Encastable du foyer
H	Échappement/conduit d'air co-linéaire
J	Simili-bûches

AVERTISSEMENT: Si les pièces ne sont pas positionnées conformément aux diagrammes suivants ou si des pièces autres que celles approuvées pour cet appareil sont utilisées, des blessures corporelles ou des dommages matériels peuvent survenir.

Aperçu De L'assemblage Des Pièces



Dimensions Physiques	
mm	pouces
A	477
B	432
C	498
D	774
E	197
F	42
G	277
H	43
J	184
K	372
L	137
M	486

Dimensions De L'appareil

! AVERTISSEMENT

LA VITRE CHAUDE

PROVOQUE DES BRÛLURES.

NE PAS TOUCHER LA VITRE

JUSQU'À CE QU'ELLE

AIT REFFROIDI.

NE JAMAIS LAISSER DES

ENFANTS TOUCHER LA VITRE.



Une barrière conçue pour réduire les risques de brûlures provenant de la vitre chaude est fournie avec cet appareil et doit être installée pour protéger les enfants et autres personnes à risque.

852502B



Nous recommandons une installation et un entretien de nos âtres au gaz par des professionnels certifiés aux États-Unis par le National Fireplace Institute® (NFI) en tant que spécialistes NFI en gaz.

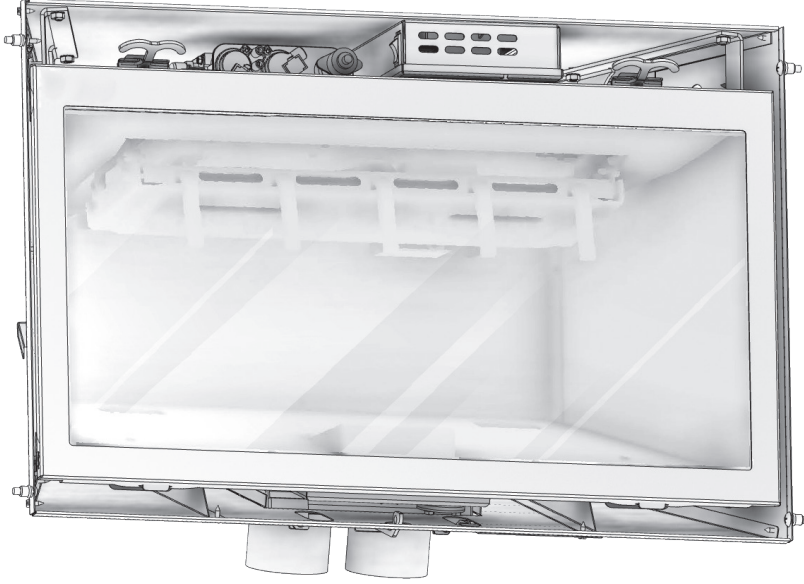
Si les codes locaux ne l'interdisent pas, l'appareil peut être installé dans une maison préfabriquée (États-Unis seulement) ou mobile provenant du marché secondaire et installée de manière permanente. Cet appareil n'est compatible qu'avec le type de gaz indiqué sur la plaque signalétique. Cet appareil n'est pas compatible avec d'autres types de gaz, à moins qu'un ensemble certifié ne soit utilisé à cet effet.

- Après commercialisation : Vente conclue, produit non destiné à la revente, provenant du fabricant.

Ashley

America's Hearth Since 1905

Modèle: AG261



AVERTISSEMENT :

RISQUE D'INCENDIE OU D'EXPLOSION

Le non-respect strict des instructions de sécurité risque de provoquer des blessures graves, la mort ou des dommages matériels.

- N'utilisez ou n'entrez pas d'essence ou autres vapeurs ou liquides inflammables à proximité de cet appareil ou un autre.
- **QUE FAIRE SI VOUS DÉCELEZ UNE ODEUR DE GAZ**
- N'allumez aucun appareil.
- N'appuyez sur aucun interrupteur électrique et n'utilisez aucun téléphone dans le bâtiment.
- Quittez immédiatement le bâtiment.
- Rendez-vous chez votre voisin et appelez immédiatement votre fournisseur de gaz. Suivez les instructions du fournisseur de gaz.
- Si vous n'arrivez pas à joindre votre fournisseur de gaz, appelez le service d'incendie.

- L'installation et l'entretien de l'appareil doivent être effectués par un installateur qualifié, un service d'entretien ou le fournisseur de gaz.

Veillez lire ce manuel AVANT d'installer et d'utiliser ce foyer.

INSTALLATEUR : Laissez ce manuel avec l'appareil.
CONSUMMATEUR : Conservez ce manuel comme référence ultérieure.

AVERTISSEMENT CONCERNANT LA PROPOSITION 65 DE L'ÉTAT DE LA CALIFORNIE :
Ce produit peut vous exposer à des agents chimiques, y compris au monoxyde de carbone, lesquels sont reconnus dans l'État de la Californie comme causant le cancer et des malformations congénitales ou autres dommages au fœtus. Pour obtenir plus de renseignements, veuillez consulter le site www.P65warnings.ca.gov



Numéro de Rapport F18-426R1