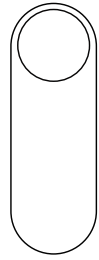
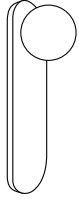


Wall Sconces Fixture

Model# JK-WS005



PACKAGE CONTENTS



Wall Sconces Fixture



Gloves



Wire Nuts



Screws

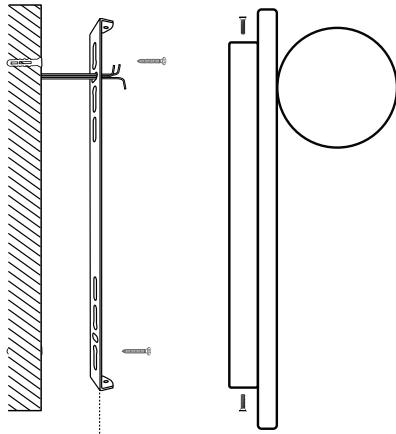


Plastic Expansion Pipes

How to install the Wall Sconces Fixture

1

First, unscrew the screws from the light fixture, remove the mounting bracket, and install it on the marked wall using separate screws.



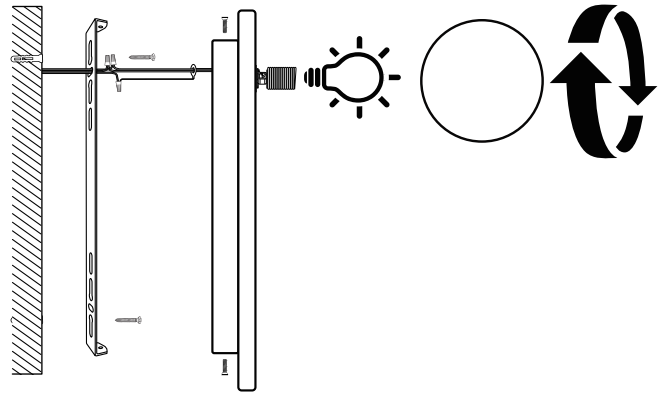
Mounting bracket

2

Connect the house live wire to the blue wire from the light fixture using a wire connector. Attach the neutral wire from the house to the brown wire from the light fixture. Then, attach the ground wire from the house to the Copper wire from the light fixture the same way. Wrap all wire connections with electrical tape for a more secure connection.

Carefully tuck all wire connections into the outlet box.

Finally, twist the lampshade to remove it, then install the light bulb and put the lampshade back in place. It's ready to use.



Maintenance

- 1.Voltage:85-265V
- 2.Turn off the power before clean out
- 3.Please wash with the sanitizer without corrosivity.
- 4.Please install according to the installation manual.