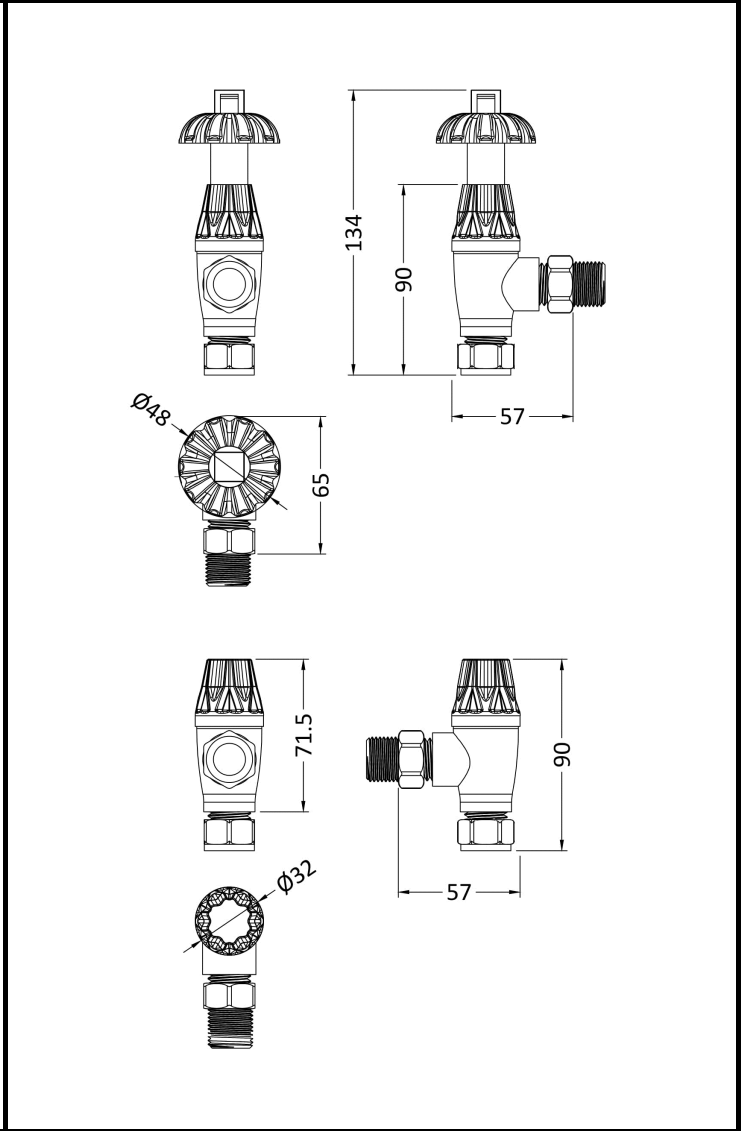


CUSTOMER DATA SHEET - HEATING

SALES CODE: RV009

DESCRIPTION: Angled Thermo Rad Valve & Lockshield



PRODUCT DIMENSIONS

Height (mm)	Width (mm)	Depth (mm)	Length (mm)	Nett Wgt Kg
136	55	80		0.9

PACKAGING DIMENSIONS

Height (mm)	Width (mm)	Length (mm)	Gross Wgt Kg
85	145	185	0.9

PACKAGING DATA

Box Colour	White Cardboard Box		
Box Qty	1	Label Colour	White Label
Label Size	100 x 50	Label Qty	1

OUTER BOX DIMENSIONS (If Applicable)

Height (mm)	Width (mm)	Length (mm)	Gross Wgt Kg
Barcode	5055369057726		

PRODUCT DETAILS

Contry of Origin	United Kingdom				
Fitting Instruction	No				
RAL No	N/A				
Heat Element Wattage	Not Applicable				
BTU Outputs	30°C	N/A	50°C	N/A	60°C
Pipe Centres	N/A				
Packaging Volume (L)	N/A				
Wall to Ctr of Tappings	N/A				
Dual Fuel	N/A				

Certification	CE	N/A	RoHS	N/A	WEEE	N/A
Colour/Finish	Satin Nickel					
Product Material	Steel					
Heat Element Wattage Compatible	N/A					
Thermal Outputs (Watts)	30°C	N/A	50°C	N/A	60°C	
Max Projection	N/A					
Tube Diameter	N/A					
Floor to Ctr of Tappings	N/A					