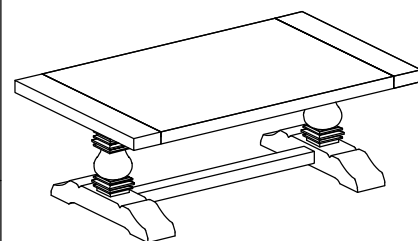


Hawthorne Occasional Table Assembly Instructions

Made in Viet Nam

Warning :

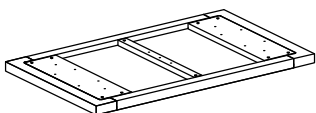
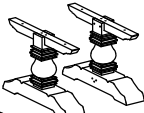


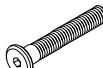
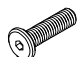



- Be sure to check all packing material carefully for small parts, which may have come loose inside the carton during shipment.
- To prevent possible scratches and damage, this furniture **MUST BE ASSEMBLED BY TWO PEOPLE** on a soft surface such as a blanket or carpet.



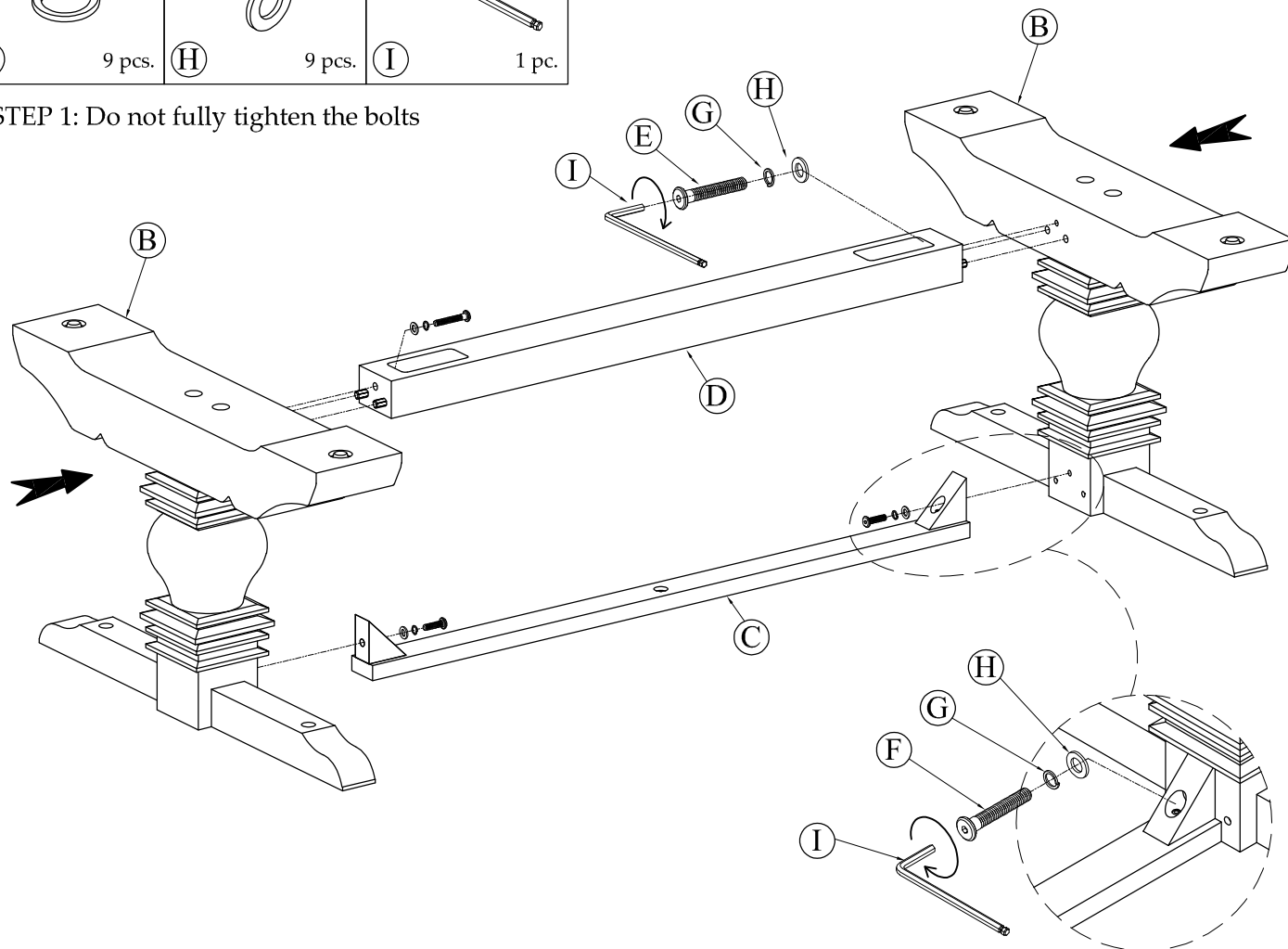
Important Use Information: We recommend using coasters, placemats and trivets when placing hot or cold containers on this item. It is also recommended to quickly cleanup any spills to minimize exposure to moisture. Doing so will prolong the life and look of the item for many years.

Cocktail Table

Components and Hardware List

 Table Top 1 pc.	 Assembly Leg 2 pcs.	 Top Stretcher 1 pc.	 Bottom Stretcher 1 pc.	 Allen Head Bolt M8-32 x 50mm 6 pcs.	 Allen Head Bolt M8-32 x 30mm 3 pcs.
 Lock Washer Ø9 x Ø13mm 9 pcs.	 Flat Washer Ø8 x Ø16mm 9 pcs.	 Allen Key 4 x 110mm 1 pc.			

STEP 1: Do not fully tighten the bolts

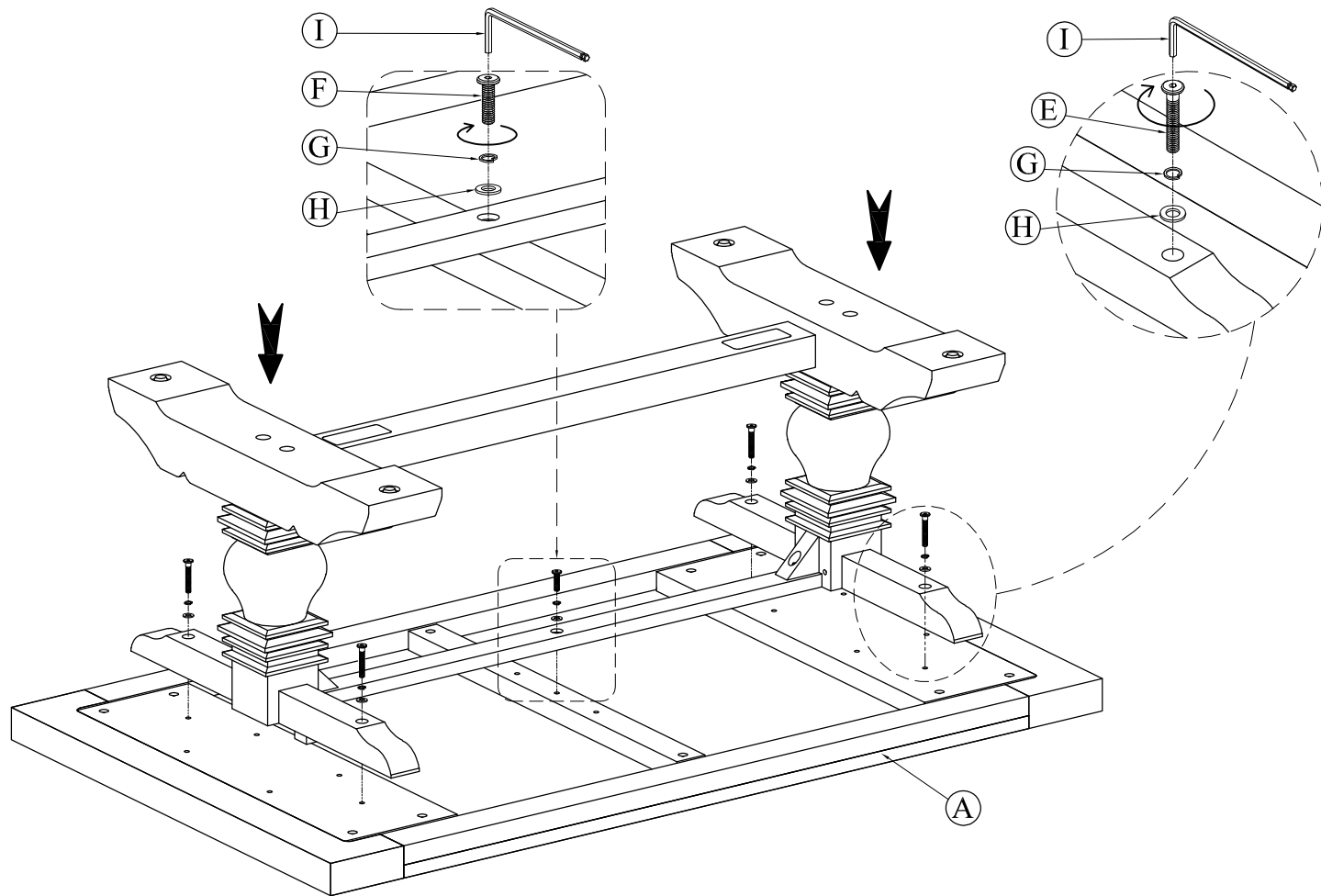


Hawthorne
Occasional Table
Assembly Instructions

Made in Viet Nam

23602 - Cocktail Table

STEP 2: Using the Allen key to tighten all bolts



Complete

