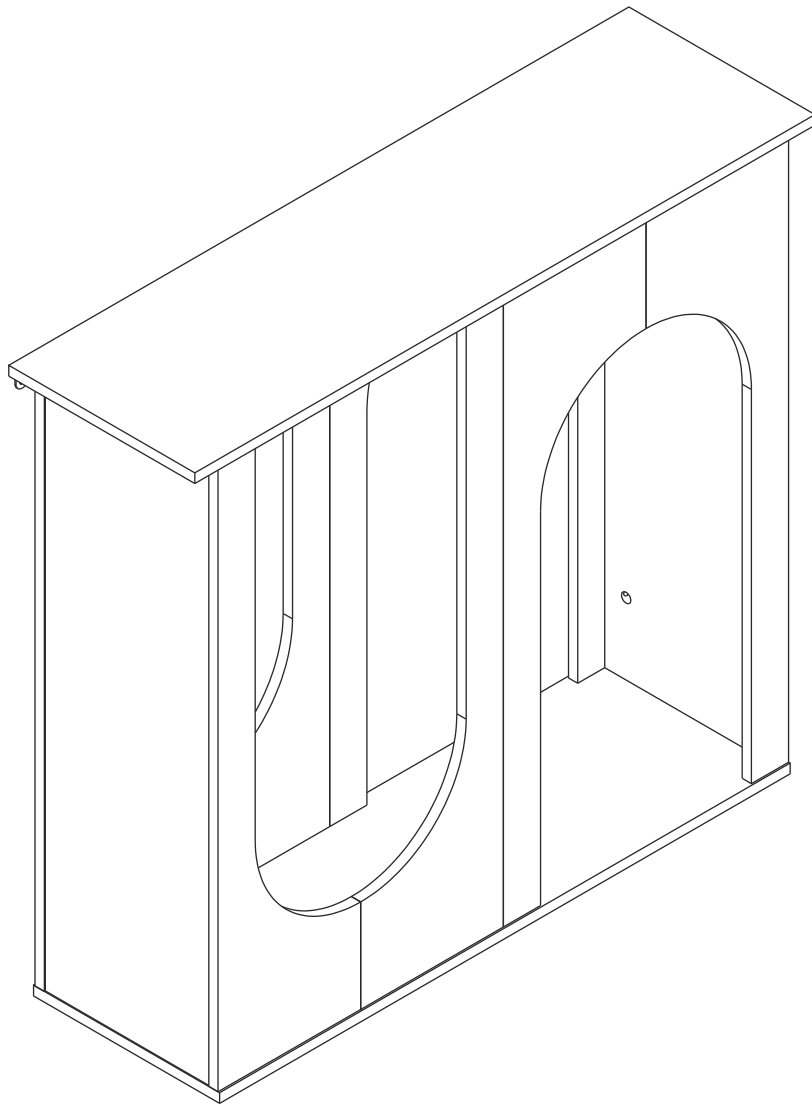


Assembly Instructions



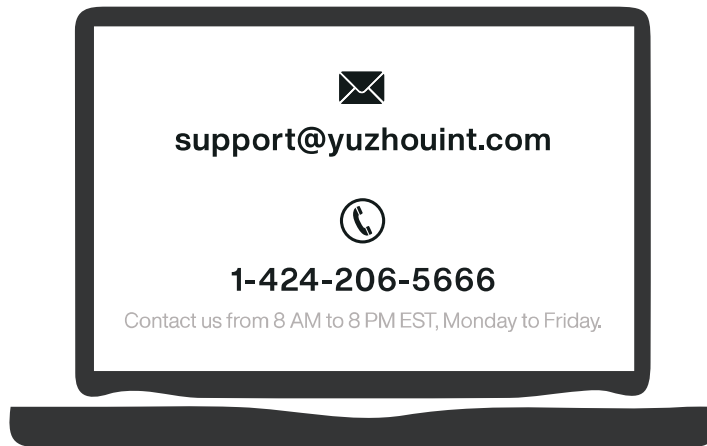
Side Table

Model No.

HOGA-JW1089

Contact Us

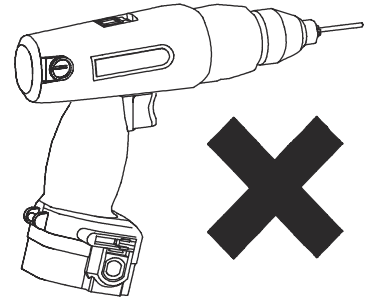
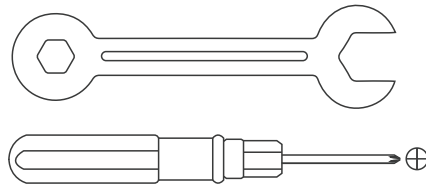
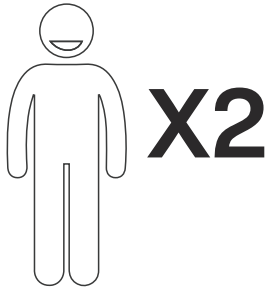
We're here to help you.



Your satisfaction is our top priority. If you encounter any issues with this product, such as missing or damaged parts, we're here to help. Please retain the original packaging and take photos of the packaging and the product, then contact us as soon as possible.

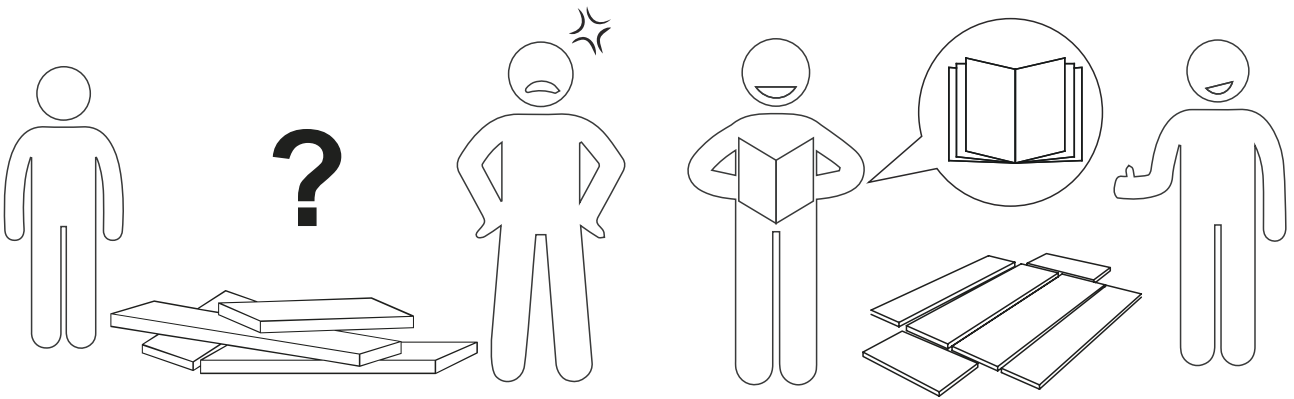
Warm Tips

1. Carefully read these instructions and keep them for future reference.
2. Check the parts list and confirm everything's there before starting assembly.
3. When assembling, put all parts on a soft, smooth surface like a carpet to avoid scratches.
4. Don't fully tighten screws until all parts are confirmed in place to avoid misalignment.



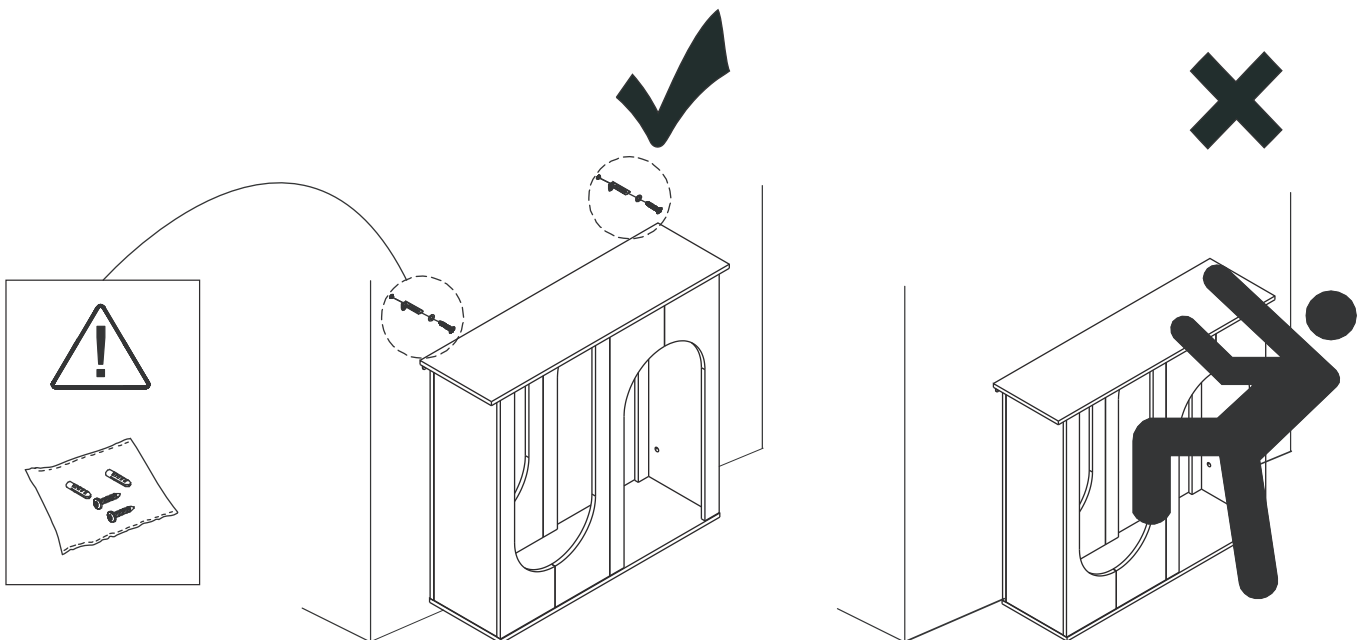
We recommend using hand tools for assembly.

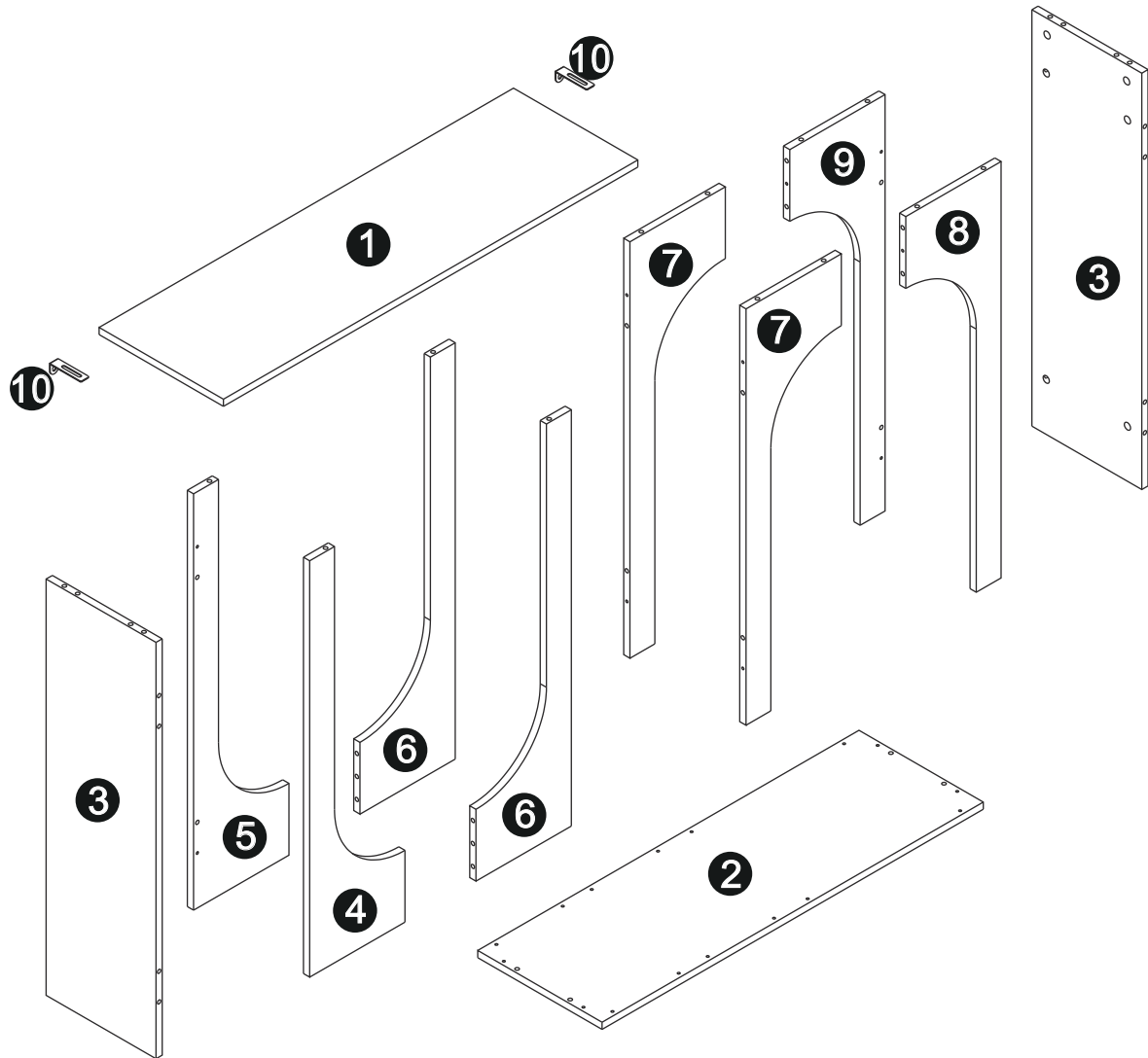
If an electric screwdriver is used, reduce power and torque to avoid damage to the product.



Install the Anti-Tip Straps

Using the anti-tip straps can reduce the risk of tipping over, but can not eliminate it.



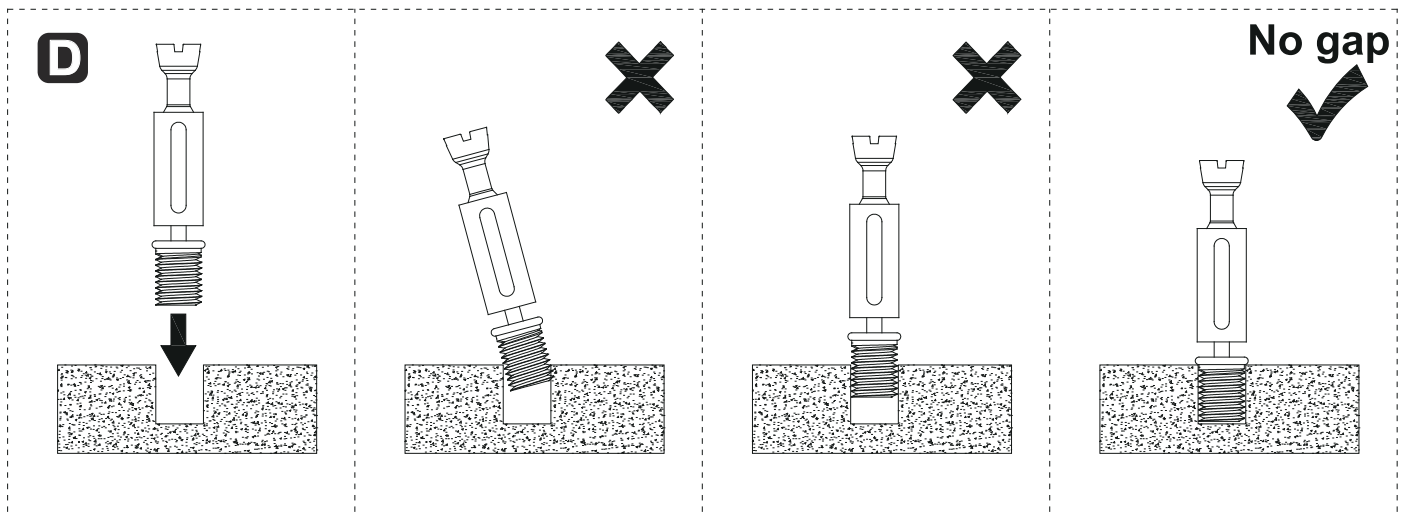
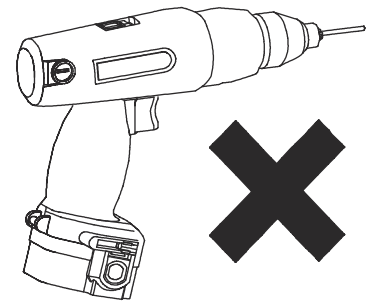


⚠ Caution

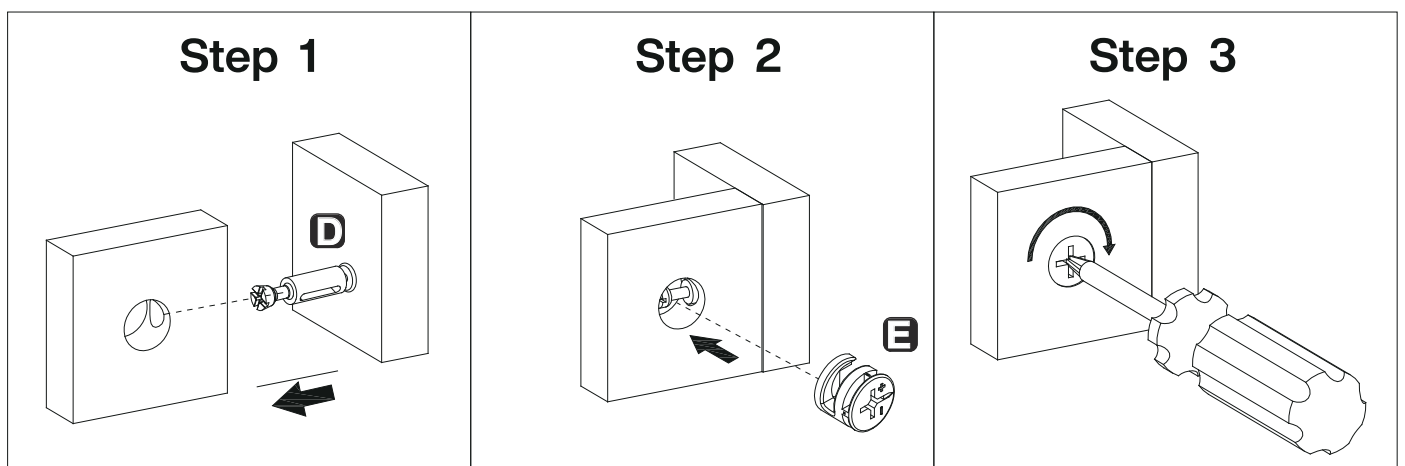
Make sure all parts are included. Most board parts are labeled or stamped on the raw edge. Contact us for a free replacement if you encounter any damaged or missing parts.

Installation of Cams and Pins

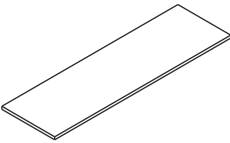
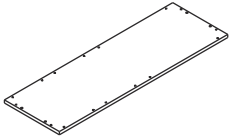





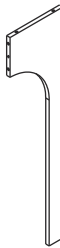

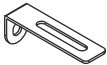
Read each step carefully before starting. Each step of instruction should be performed in the correct order. If these steps are not followed in sequence, assembly difficulties may occur.





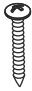





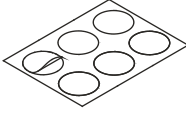

Screw the pin into the hole. Set the cams correctly by aligning the head of the cams with the lock pins. Lock the cam by turning the cam head with a screwdriver until it is tightened. Please do not use an electric screwdriver to assemble the unit.



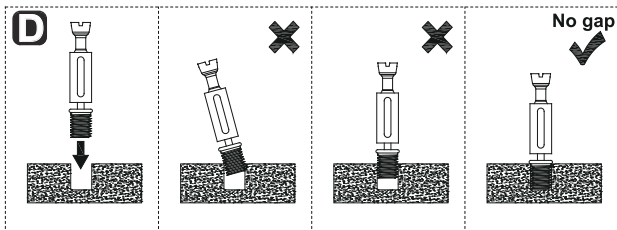
Parts List



<p>1</p>  <p>1 pc</p>	<p>2</p>  <p>1 pc</p>	<p>3</p>  <p>2 pcs</p>	<p>4</p>  <p>1 pc</p>	<p>5</p>  <p>1 pc</p>
<p>6</p>  <p>2 pcs</p>	<p>7</p>  <p>2 pcs</p>	<p>8</p>  <p>1 pc</p>	<p>9</p>  <p>1 pc</p>	<p>10</p>  <p>2 pcs</p>

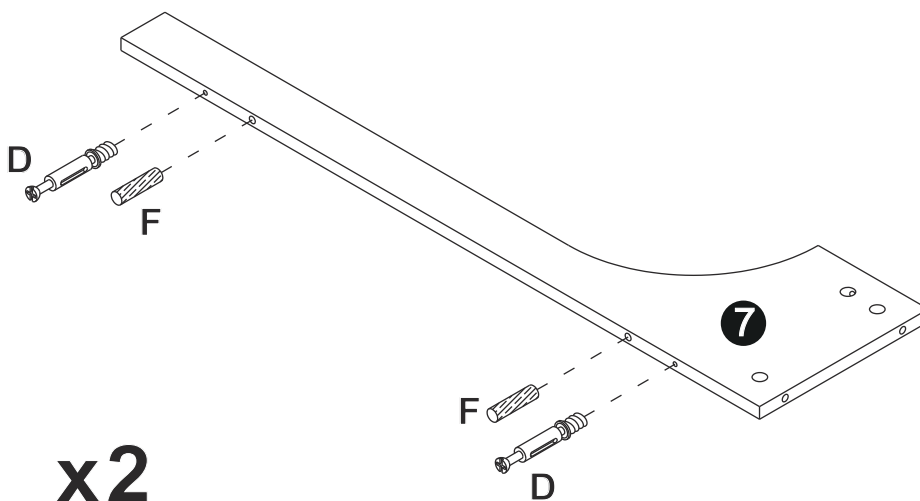
Hardware List

A	B	C	D	E	F
 <p>M6×12mm</p>	 <p>5×38mm</p>	 <p>4×24.5mm</p>	 <p>M6×44.5mm</p>	 <p>Ø15mm</p>	 <p>Ø8×30mm</p>
2 pcs	16 pcs	2 pcs	32 pcs	32 pcs	28 pcs
G	H	I	J		
 <p>2 pcs</p>	 <p>2 pcs</p>	 <p>Ø21mm</p> <p>12 pcs</p>	 <p>1 pc</p>		

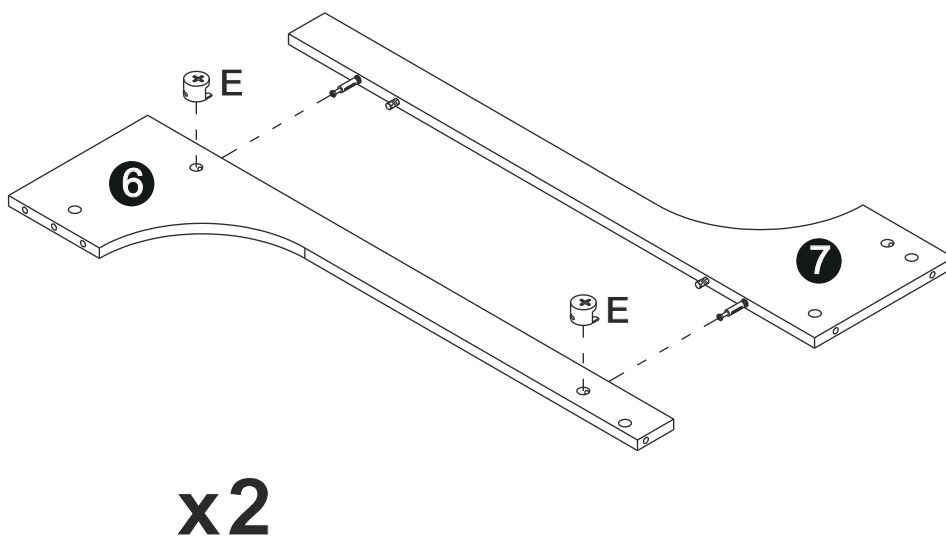
1




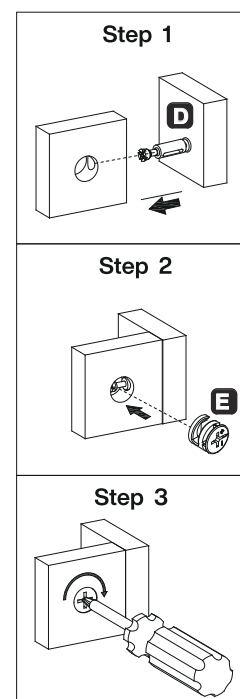
D	F
	
M6x44.5mm	Ø8x30mm
4 pcs	4 pcs



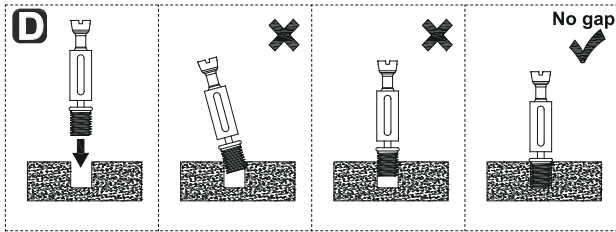
2





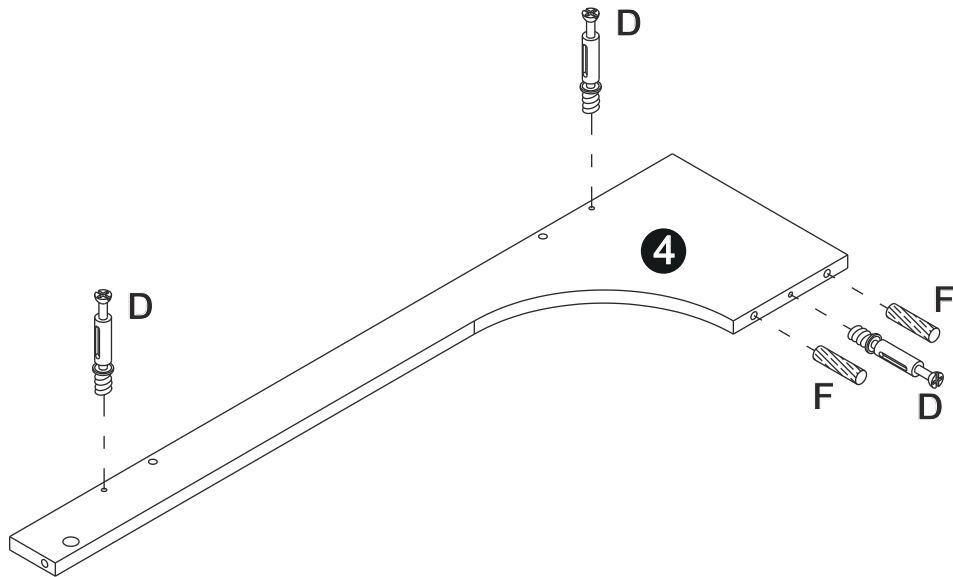
E

Ø15mm
4 pcs



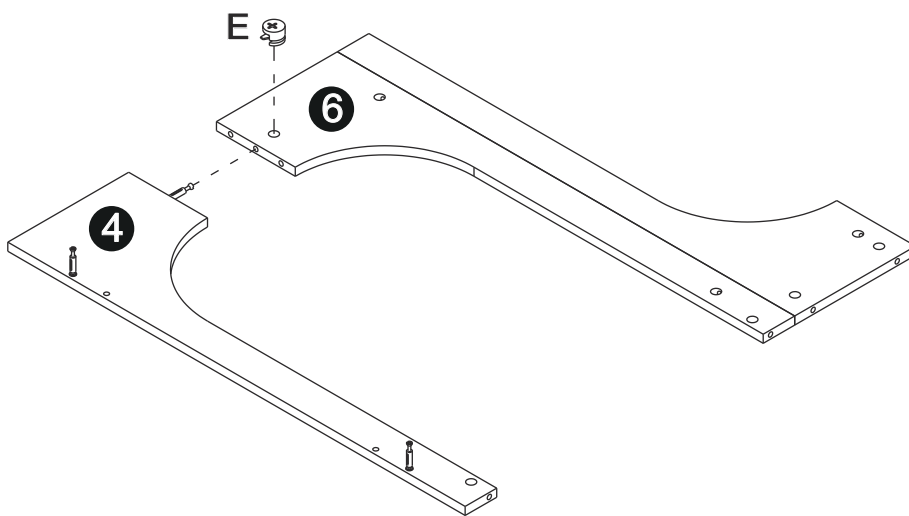
3




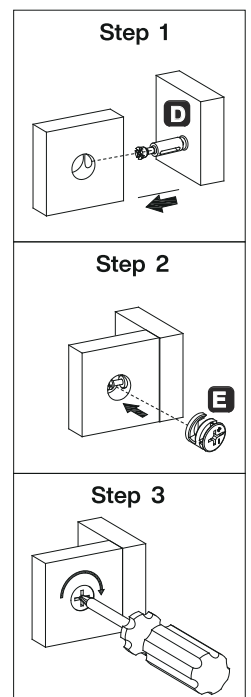
D	F
	
M6x44.5mm	Ø8x30mm
3 pcs	2 pcs



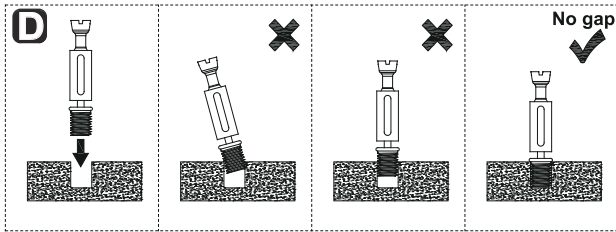
4





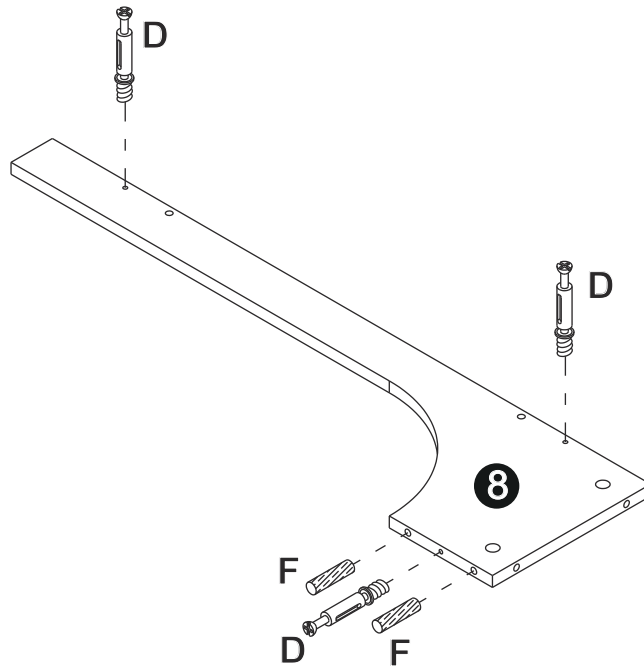
E

Ø15mm
1 pc



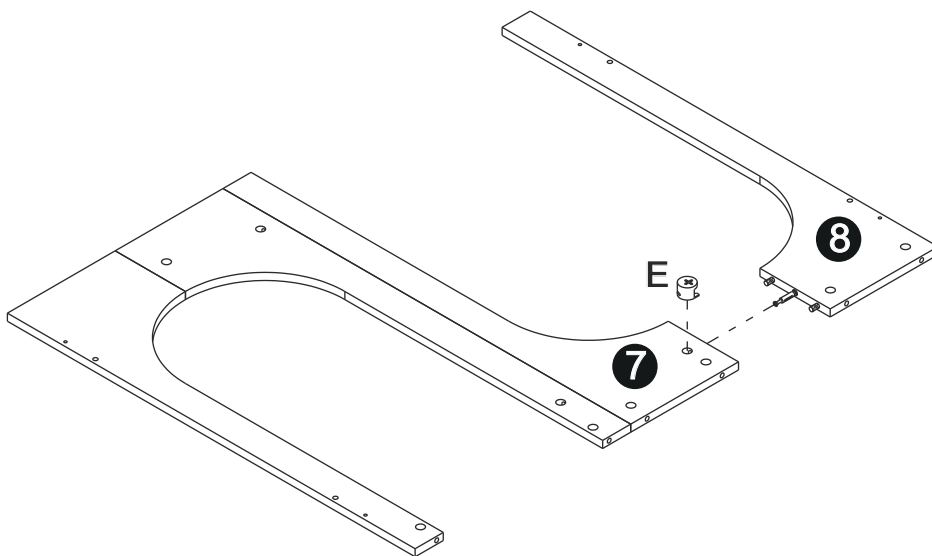
5




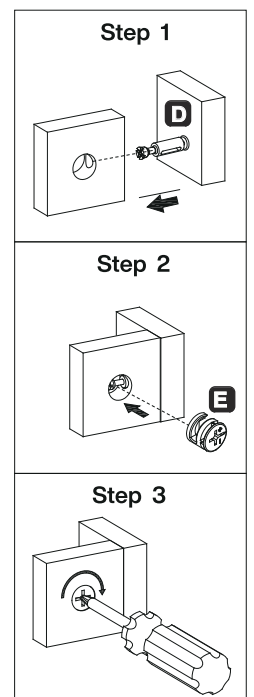
D	F
	
M6×44.5mm	Ø8×30mm
3 pcs	2 pcs



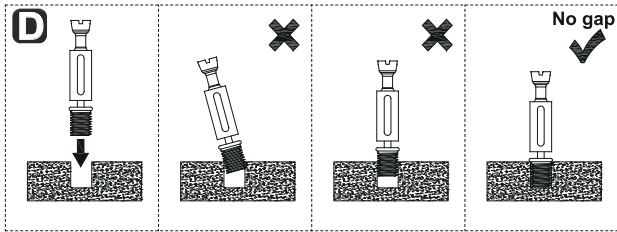
6





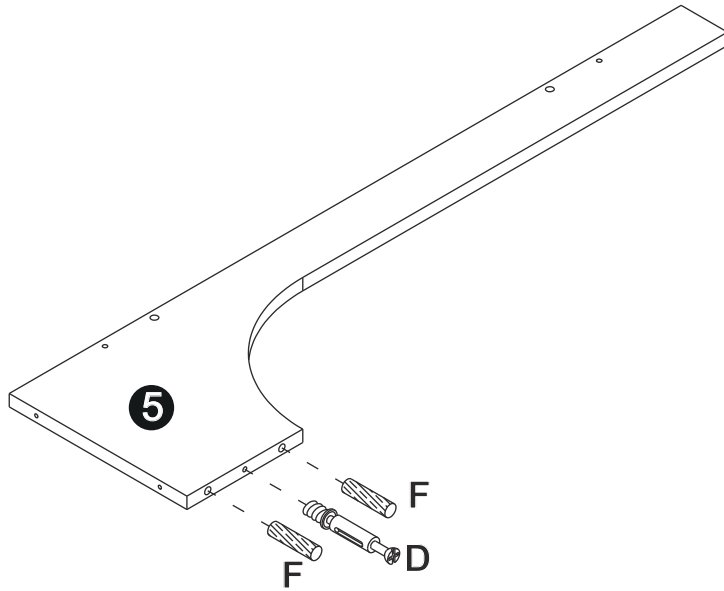
E

Ø15mm
1 pc



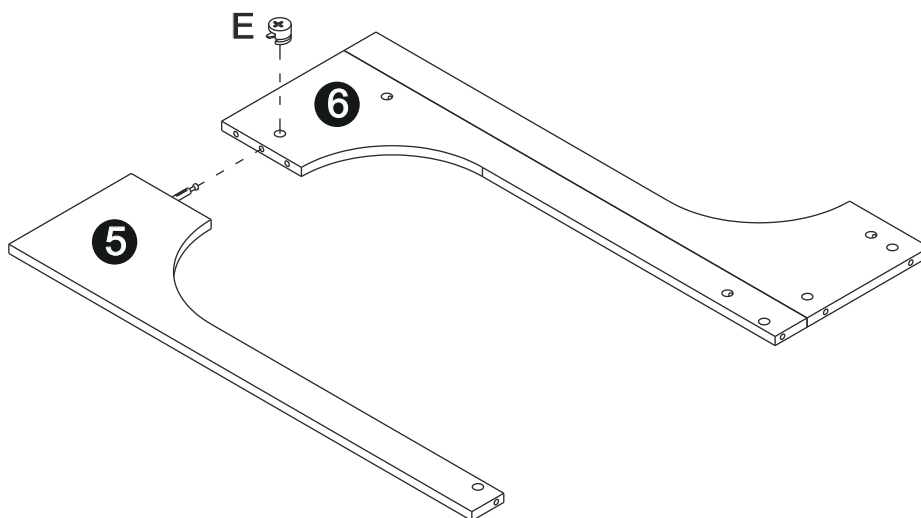
7




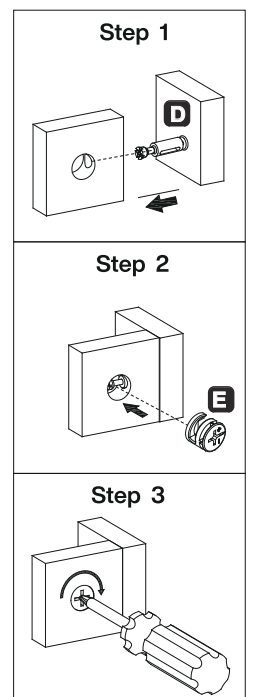
D	F
 M6×44.5mm	 Ø8×30mm
1pc	2 pcs



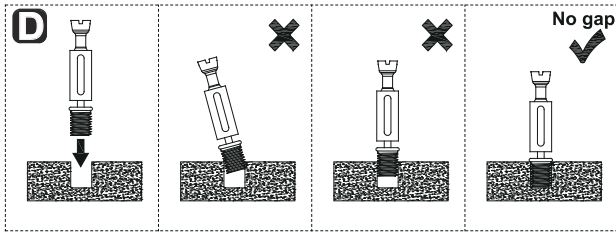
8





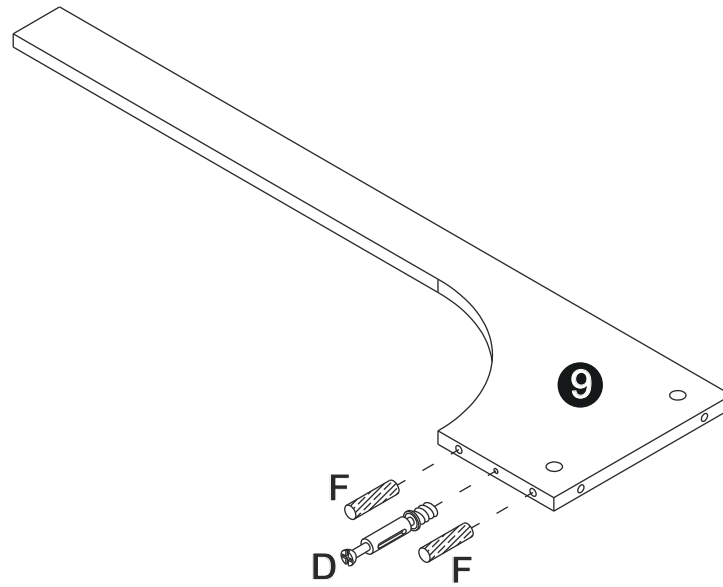
E
 Ø15mm
1pc



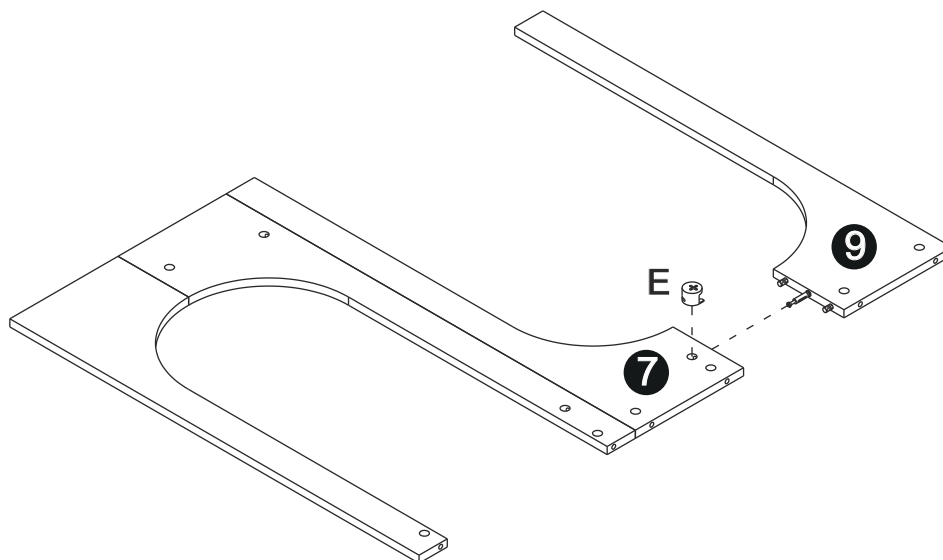
9




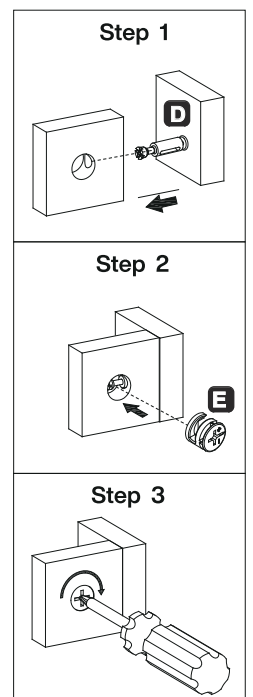
D	F
 M6×44.5mm	 Ø8×30mm
1pc	2 pcs



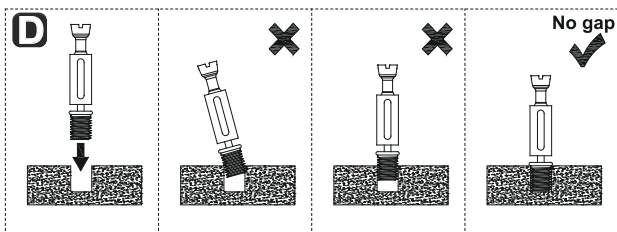
10




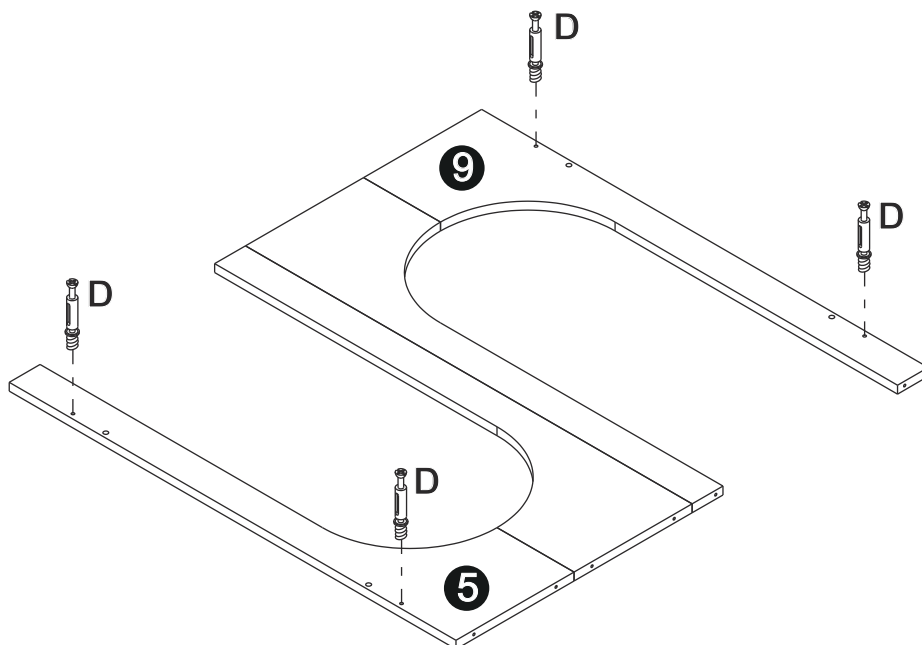
E
 Ø15mm
1pc



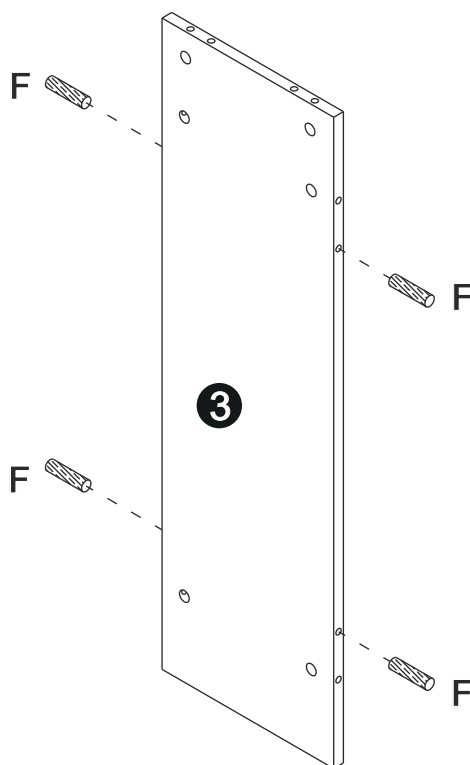
11




D

M6×44.5mm
4 pcs



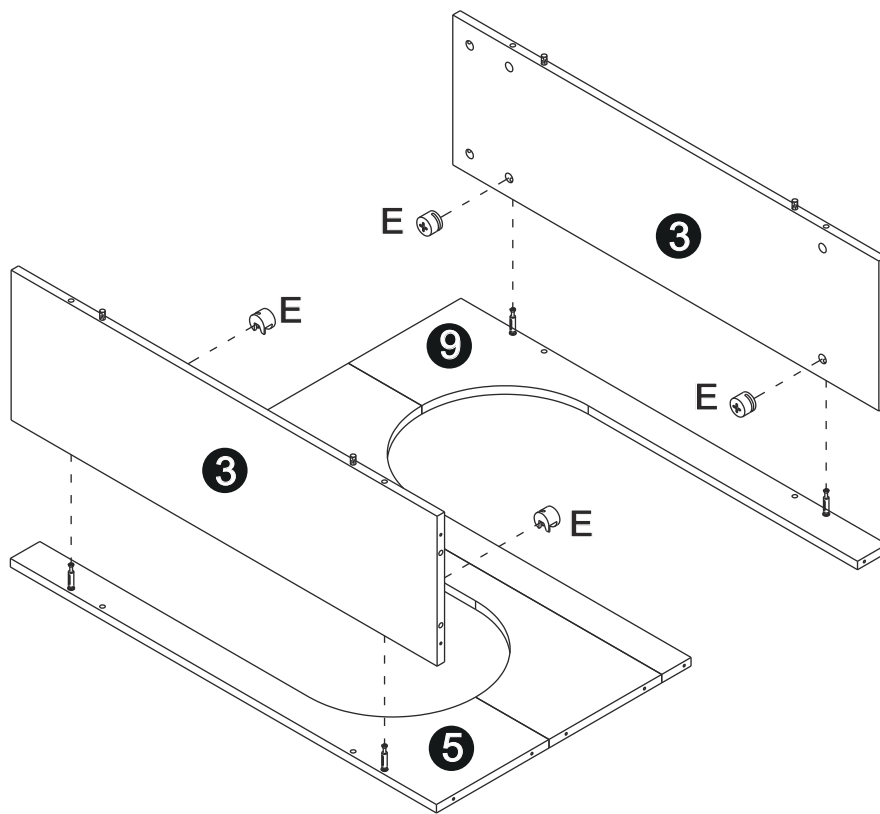
12




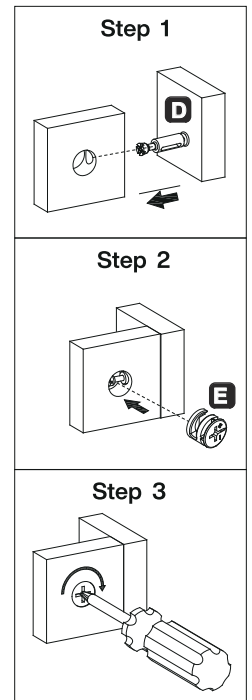
F

Ø8x30mm
8 pcs

x2

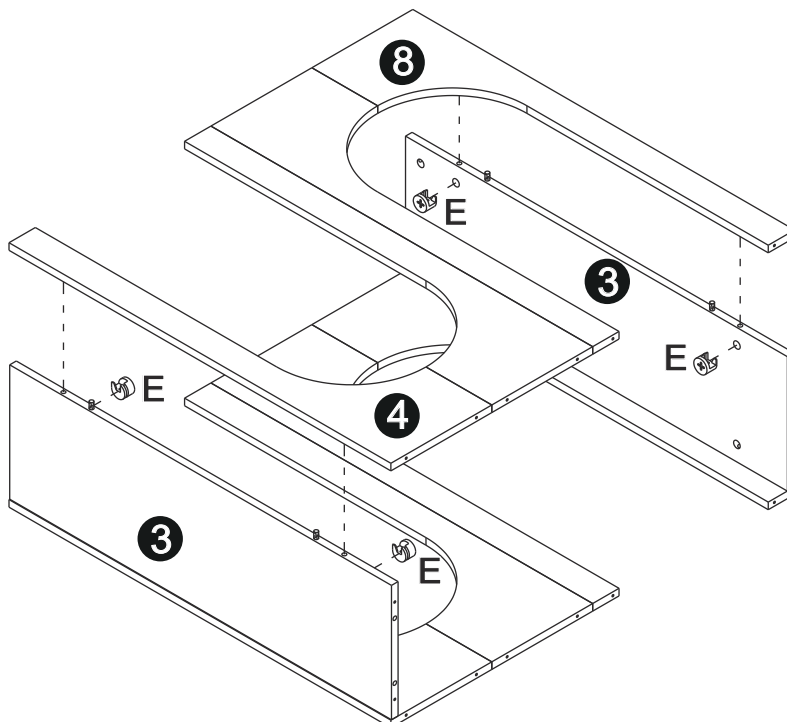
13




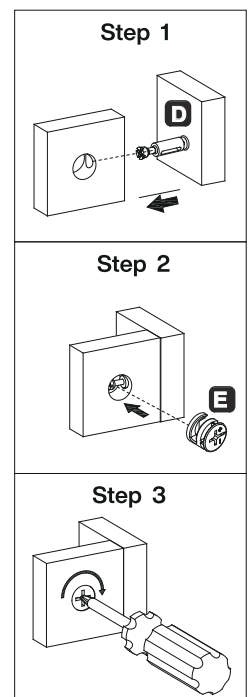
E

Ø15mm
4 pcs



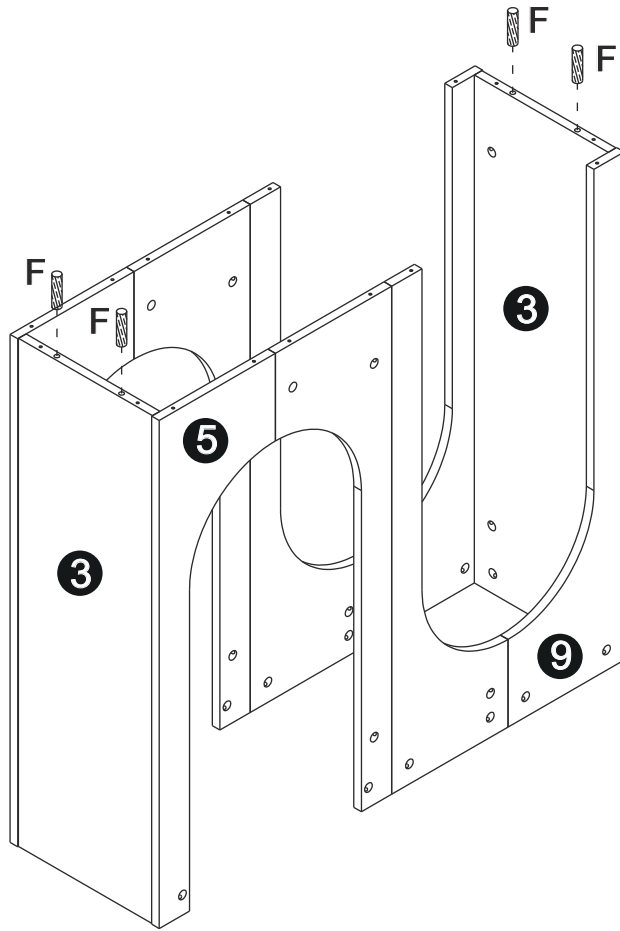
14




E

Ø15mm
4 pcs

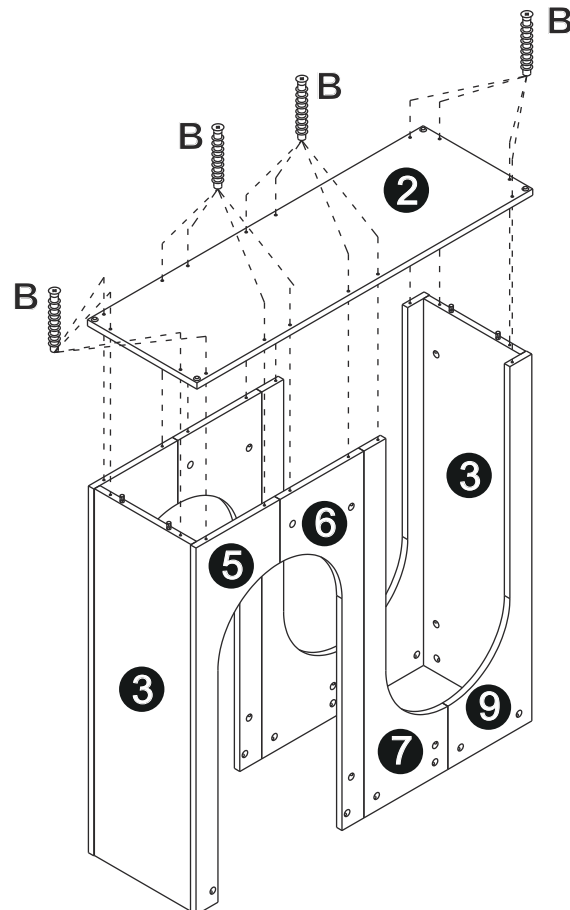



15



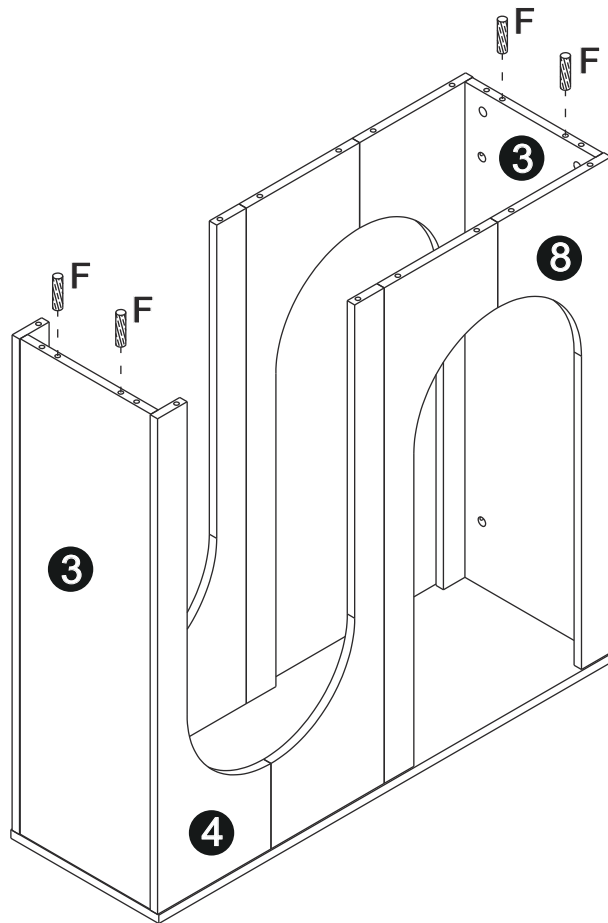
F

Ø8x30mm
4 pcs


16



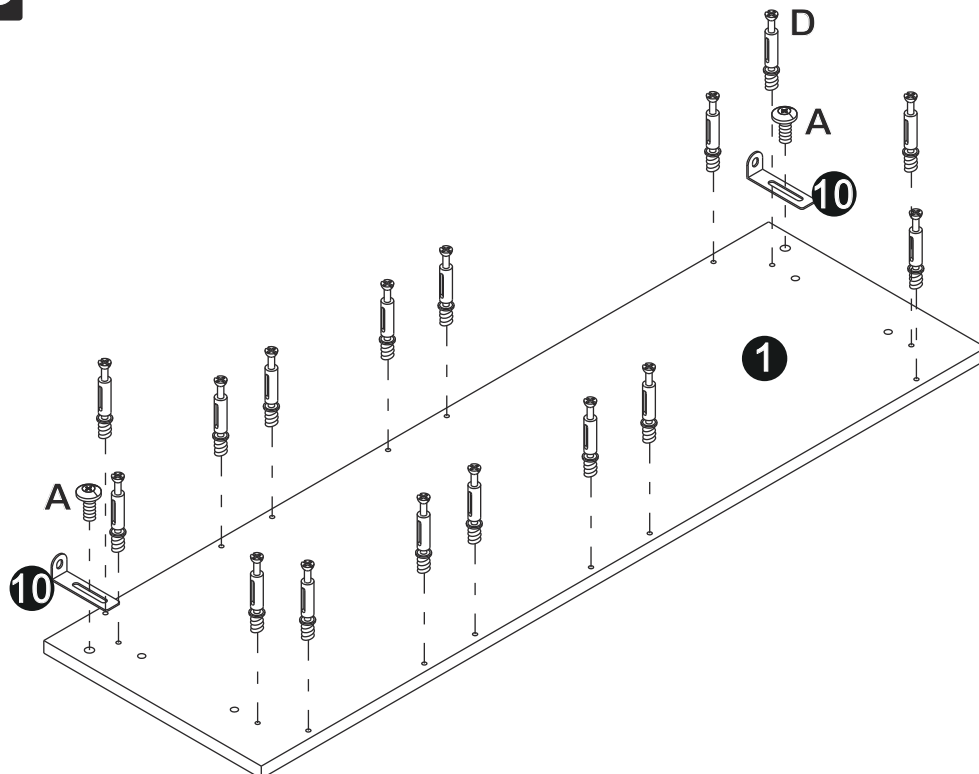
B

5x38mm
16 pcs



17



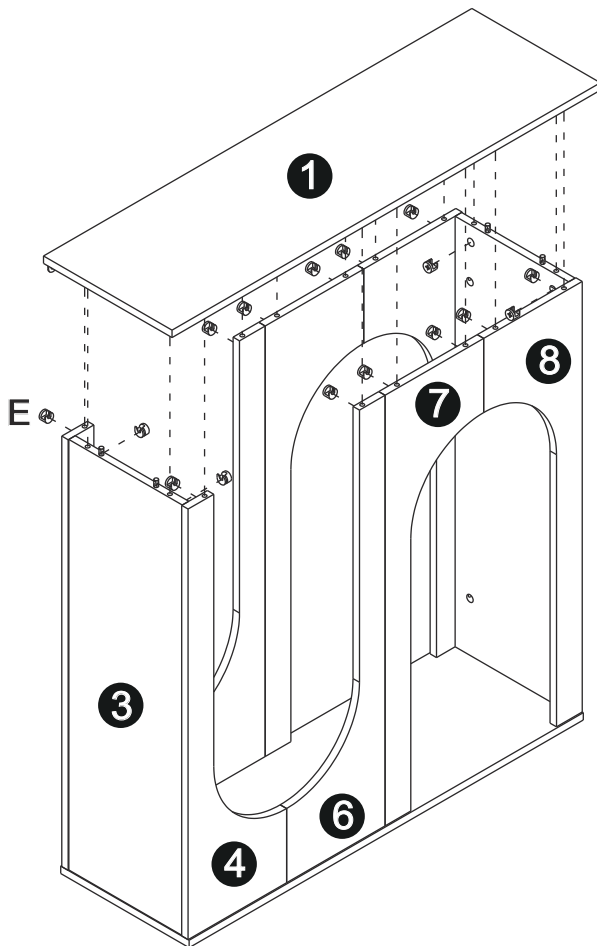
F

Ø8x30mm
4 pcs


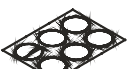
18

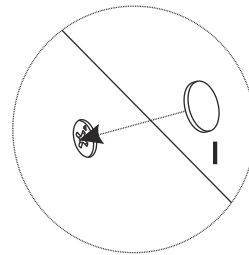
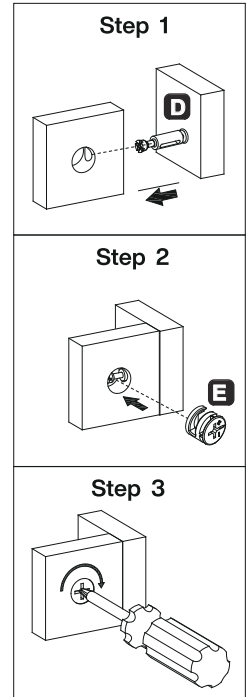


A	D
	
M6x12mm	M6x44.5mm
2 pcs	16 pcs

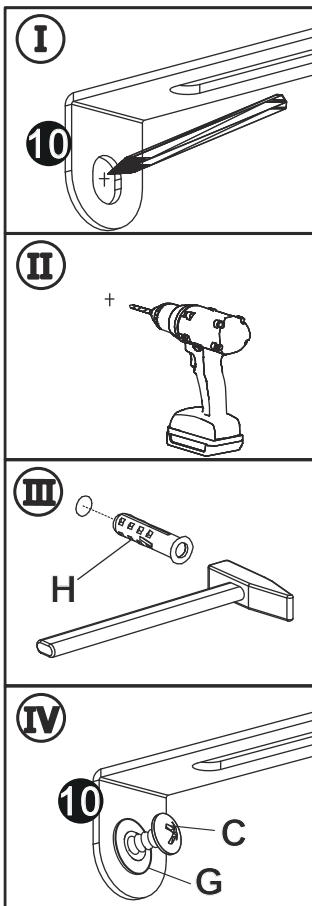
19






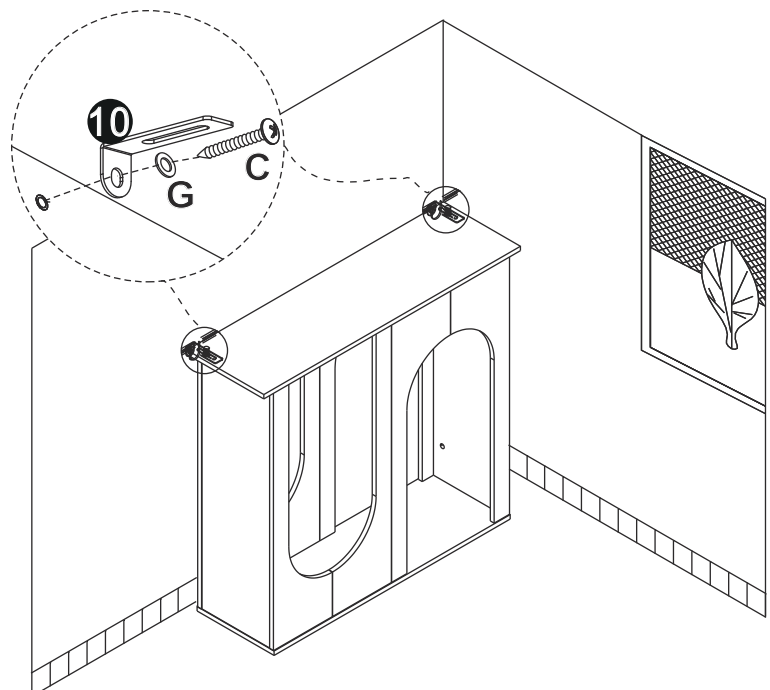
E	I
	
Ø15mm	Ø21mm
16 pcs	12 pcs



20



C	G	H
		
4×24.5mm	Ø16×Ø6.2mm	
2 pcs	2 pcs	2 pcs



Thank you for your support!

