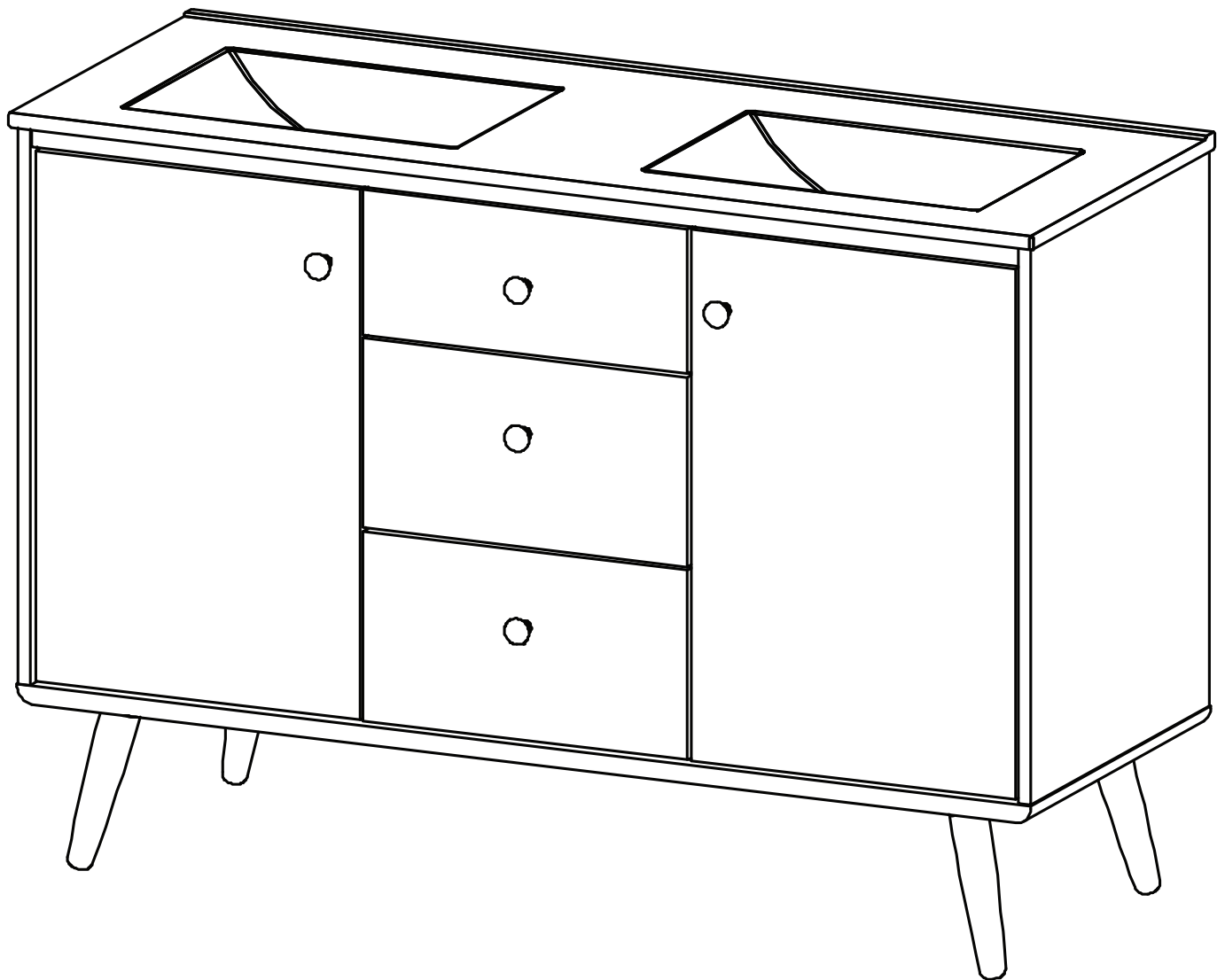


ASSEMBLY INSTRUCTIONS

EEI-4337

V3.04.06.22



Questions? Contact us!

609.256.9000 • cs@modway.com
www.modway.com

*modway



Read through all of the instructions before starting



Care instructions are listed in the last step of this manual



Approx. 90 minutes assembly time



Make sure you have all parts and components before discarding any packing materials



2 people recommended for assembly

Only use hand tools to assemble this item. Do not use power tools. Do not tighten bolts or screws completely until all hardware is lined up and inserted into the holes.

Do not over-tighten screws and bolts to avoid stripping the hardware or cracking the item.

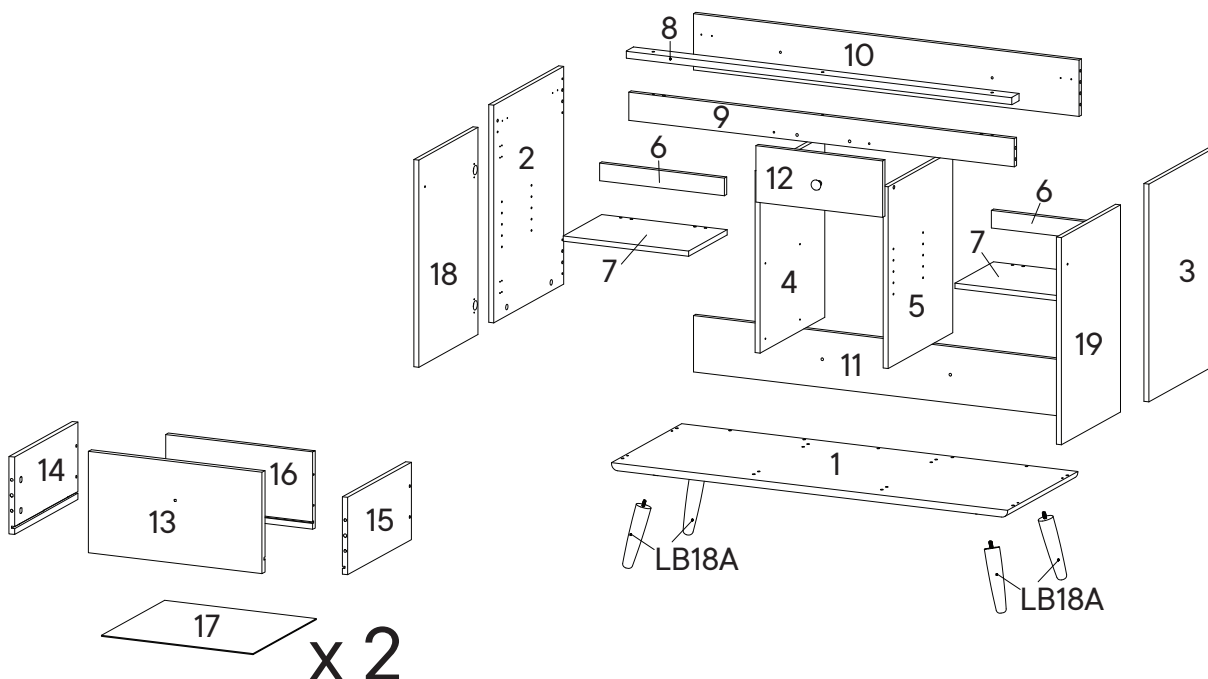
For vanity and plumbing installation, we suggest hiring a professional contractor and plumber.

Assemble your item on a flat, carpeted area, with plenty of space to work. This will prevent damage and scratches to your floors or the item while you're assembling the product.

Keep all components and packaging out of reach of children or animals to avoid risk of choking or suffocation.

Furniture components:




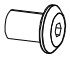

















| | | | | | |
|----|--------------------|----|-------|-------------------|----|
| 1 | Bottom Board | x1 | 11 | Back Board 2 | x1 |
| 2 | Side Board Left | x1 | 12 | Fake Front Drawer | x1 |
| 3 | Side Board Right | x1 | 13 | Front Drawer | x2 |
| 4 | Center Board Left | x1 | 14 | Side Drawer Left | x2 |
| 5 | Center Board Right | x1 | 15 | Side Drawer Right | x2 |
| 6 | Support Board | x2 | 16 | Back Drawer | x2 |
| 7 | Adjustable Shelf | x2 | 17 | Bottom Drawer | x2 |
| 8 | Front Skirt 1 | x1 | 18 | Wooden Door Left | x1 |
| 9 | Front Skirt 2 | x1 | 19 | Wooden Door Right | x1 |
| 10 | Back Board 1 | x1 | LB18A | Leg | x4 |



Wait!

Missing parts or hardware? Need assistance?
Contact us before returning your item. We're here to help!
609.256.9000 • cs@modway.com

Provided hardware:

| | | | | | | | | | | | |
|---|--|-----------------------|-----|-------|---|---------------------|-----|---|---|---------------------|----|
| A |  | Cam Bolt Ø6 x 35 mm | x22 | M |  | Screw M 6 x 15 mm | x2 | US11 |  | Anti Deflection Bar | x1 |
| B |  | Cam Lock Ø15 mm | x14 | N |  | JCN Nut | x2 | PM1 |  | Mounting Plate | x4 |
| C |  | Cam Lock Ø12 mm | x8 | O |  | Screw M 3.5 x 13 mm | x12 | What you need: | | | |
| D |  | Wood Dowel Ø8 x 30 mm | x26 | P |  | Screw M 8 x 39 mm | x8 |  | Phillips Head Screwdriver | | |
| E |  | Screw M 7 x 50 mm | x18 | Q |  | Screw M 6 x 10.5 mm | x22 | You may also need: | | | |
| F |  | Allen Key | x2 | R |  | Screw Cap Ø15 mm | x4 | + Power Drill | | | |
| G |  | Wood Dowel Ø8 x 20 mm | x2 | S |  | Screw M 6.4 x 25 mm | x2 | + Level | | | |
| H |  | Screw M 4.5 x 12.5 mm | x64 | T |  | Foam Pad | x10 | + Silicone Adhesive or Caulk | | | |
| I |  | Wood Dowel Ø6 x 30 mm | x4 | RM30A |  | Drawer Runner | x2 | + Drywall Anchors and Screws | | | |
| J |  | Shelf Support | x8 | BO45 |  | Bracket | x2 | + Other Wall-Mounting Hardware | | | |
| K |  | Handle | x5 | BC67 |  | Bracket | x4 | | | | |
| L |  | Screw M 4 x 22 mm | x5 | HS26C |  | Hinge | x4 | | | | |

Components Carton Placement

Carton 1 of 2

| Label | Description | Qty |
|-------|-------------------|-----|
| 1 | Bottom Board | x1 |
| 8 | Front Skirt 1 | x1 |
| 9 | Front Skirt 2 | x1 |
| 10 | Back Board 1 | x1 |
| 11 | Back Board 2 | x1 |
| 14 | Side Drawer Left | x2 |
| 15 | Side Drawer Right | x2 |
| 16 | Back Drawer | x2 |
| 17 | Bottom Drawer | x2 |
| 18 | Wooden Door Left | x1 |
| 19 | Wooden Door Right | x1 |
| LB18A | Leg | x4 |
| | Hardware Pack | x2 |

Carton 2 of 2

| Label | Description | Qty |
|-------|--------------------|-----|
| 2 | Side Board Left | x1 |
| 3 | Side Board Right | x1 |
| 4 | Center Board Left | x1 |
| 5 | Center Board Right | x1 |
| 6 | Support Board | x2 |
| 7 | Adjustable Shelf | x2 |
| 12 | Fake Front Drawer | x1 |
| 13 | Front Drawer | x2 |

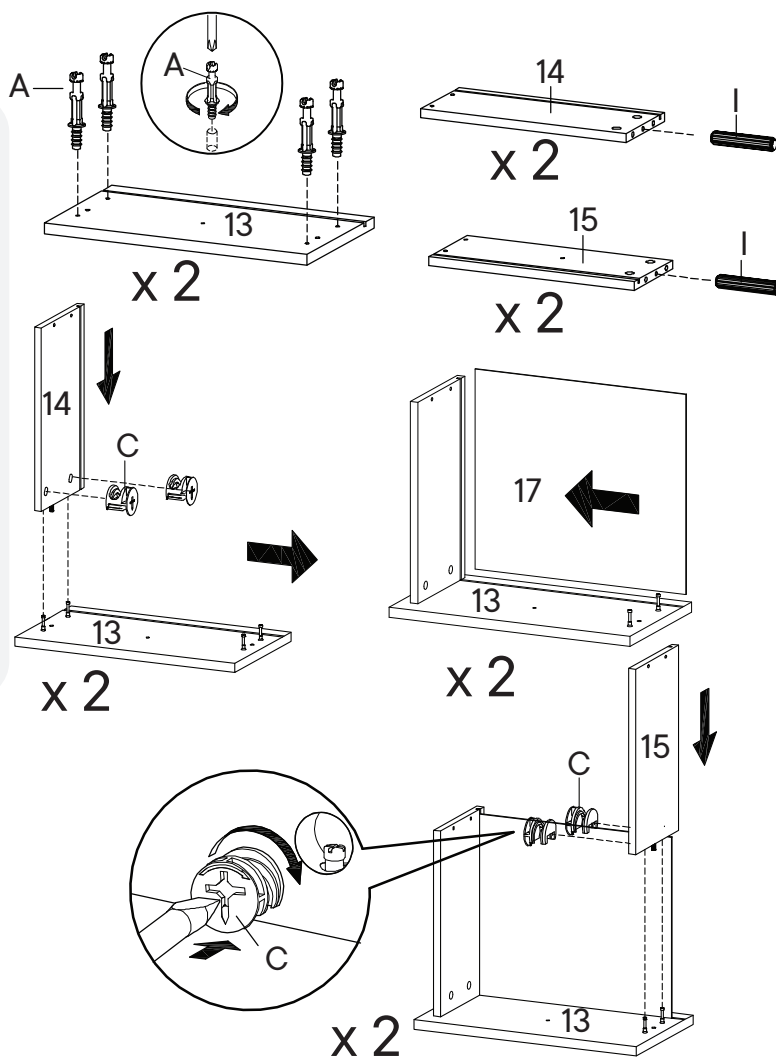
Step 1

HARDWARE

- A** Cam Bolt $\varnothing 6 \times 35$ mm x8
- C** Cam Lock $\varnothing 12$ mm x8
- I** Wood Dowel $\varnothing 6 \times 30$ mm x4

COMPONENTS

- 13** Front Drawer x2
- 14** Side Drawer Left x2
- 15** Side Drawer Right x2
- 17** Bottom Drawer x2



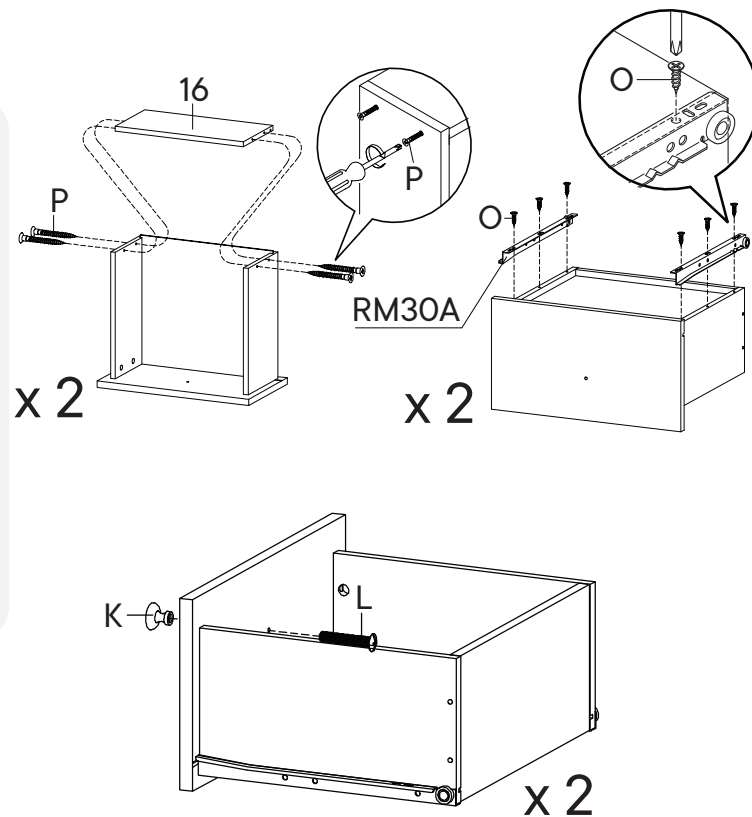
Step 2

HARDWARE

- K** Handle x2
- L** Screw M 4 x 22 mm x2
- O** Screw M 3.5 x 13 mm x12
- P** Screw M 8 x 39 mm x8
- RM30A** Drawer Runner x2

COMPONENTS

- 16** Back Drawer x2



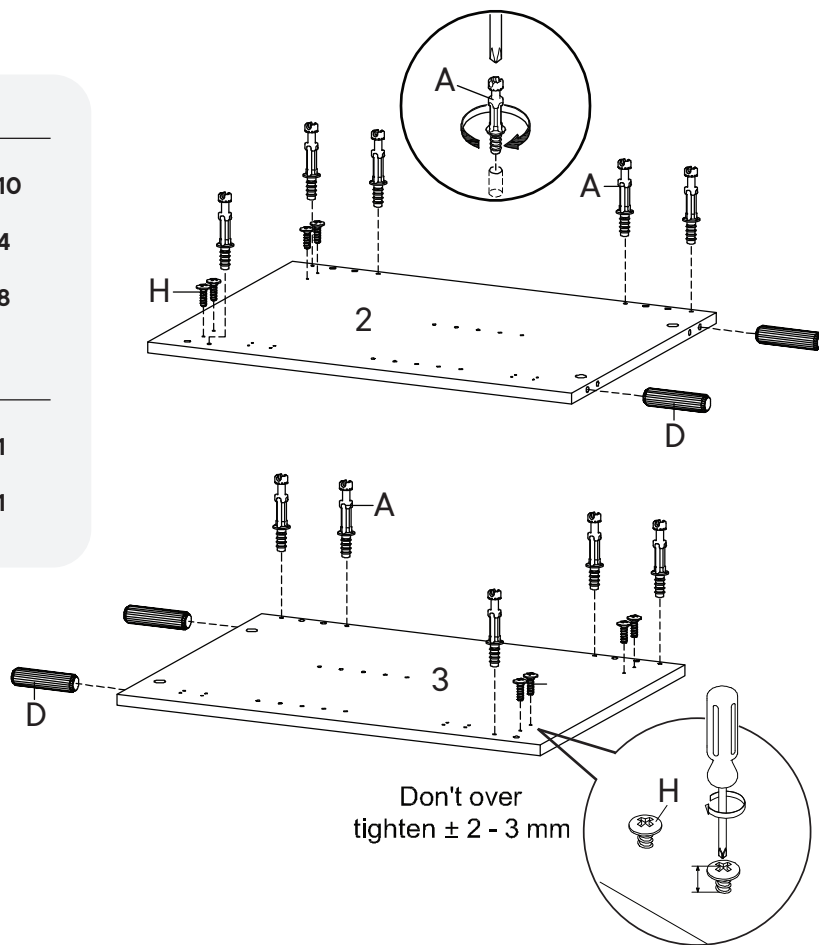
Step 3

HARDWARE

- A** Cam Bolt Ø6 x 35 mm x10
- D** Wood Dowel Ø8 x 30 mm x4
- H** Screw M 4.5 x 12.5 mm x8

COMPONENTS

- 2** Side Board left x1
- 3** Side Board Right x1



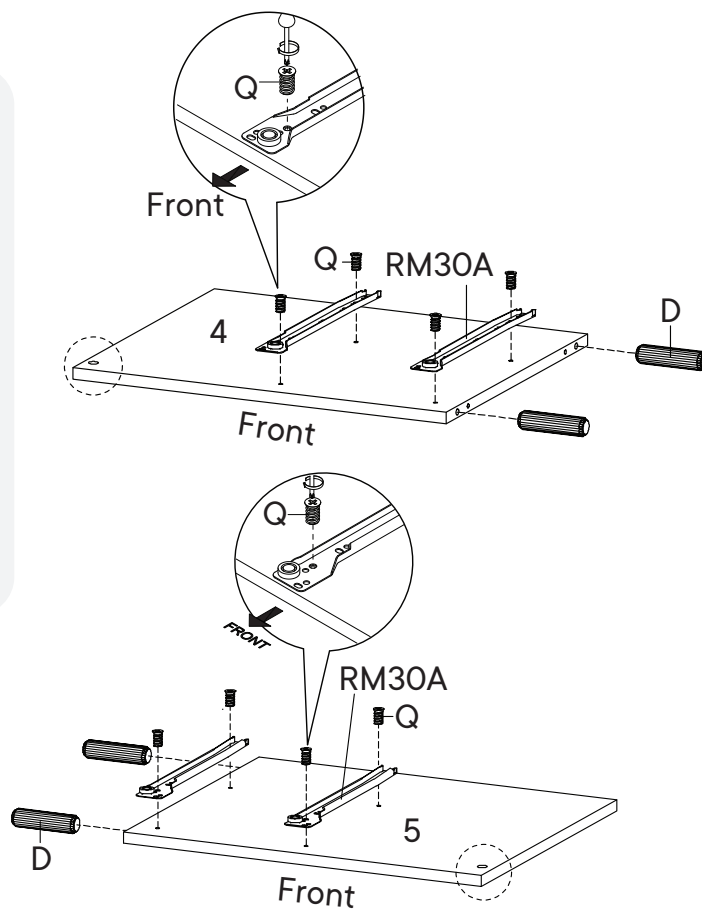
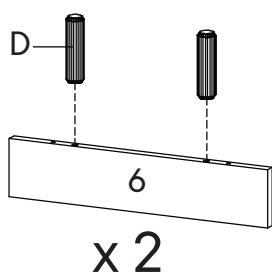
Step 4

HARDWARE

- D** Wood Dowel Ø8 x 30 mm x8
- Q** Screw M 6 x 10.5 mm x8
- RM30A** Drawer Runner x2

COMPONENTS

- 4** Center Board Left x1
- 5** Center Board Right x1
- 6** Support Board x2



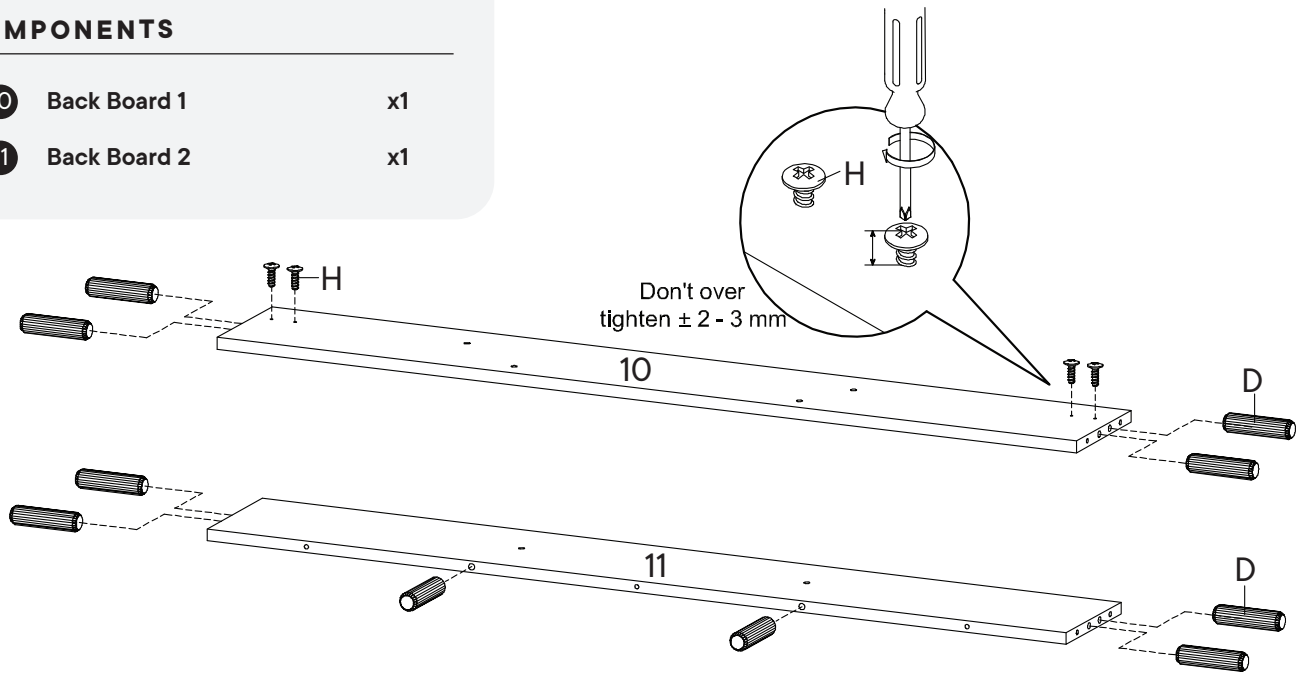
Step 5

HARDWARE

- D** Wood Dowel Ø8 x 30 mm x10
- H** Screw M 4.5 x 12.5 mm x4

COMPONENTS

- 10** Back Board 1 x1
- 11** Back Board 2 x1



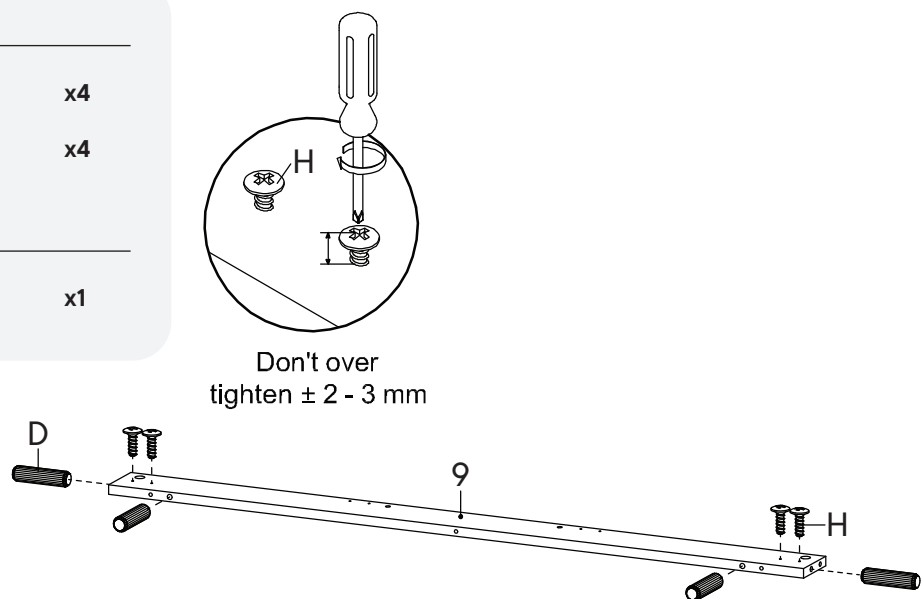
Step 6

HARDWARE

- D** Wood Dowel Ø8 x 30 mm x4
- H** Screw M 4.5 x 12.5 mm x4

COMPONENTS

- 9** Front Skirt 2 x1



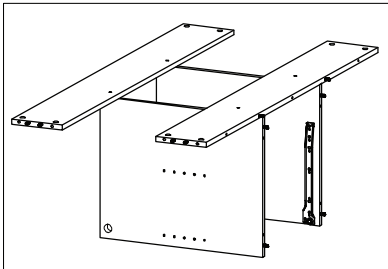
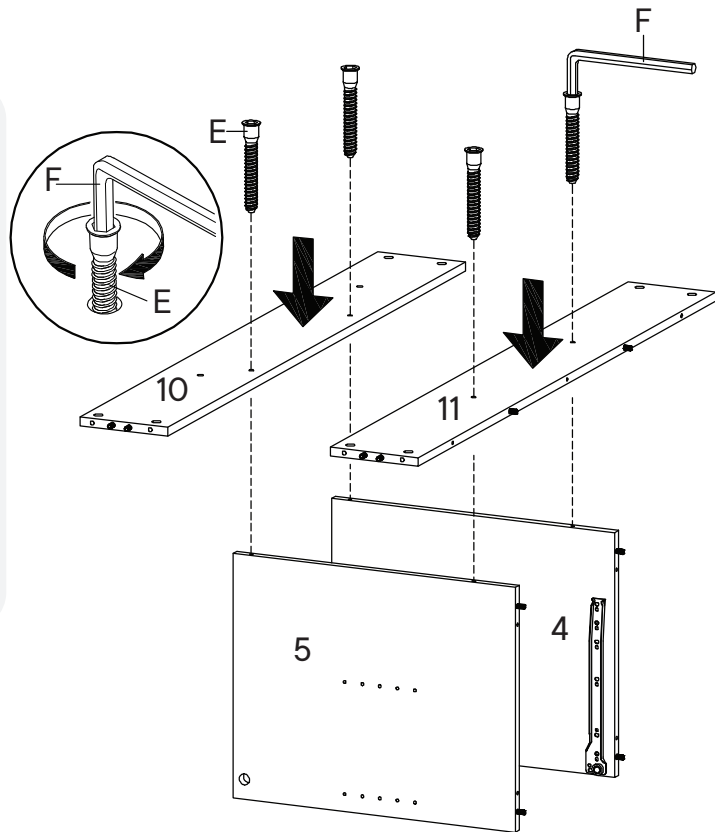
Step 7

HARDWARE

- E** Screw M 7 x 50 mm x4
- F** Allen Key x1

COMPONENTS

- 4** Center Board Left x1
- 5** Center Board Right x1
- 10** Back Board 1 x1
- 11** Back Board 2 x1



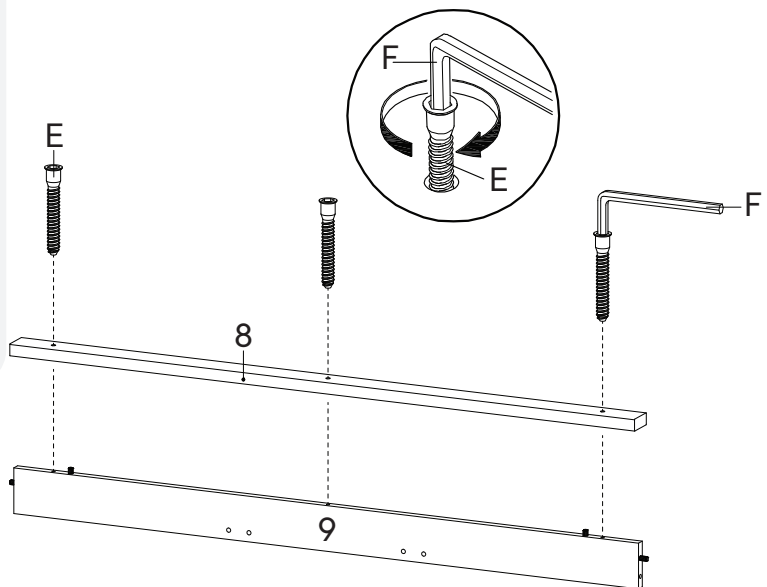
Step 8

HARDWARE

- E** Screw M 7 x 50 mm x3
- F** Allen Key x1

COMPONENTS

- 8** Front Skirt 1 x1
- 9** Front Skirt 2 x1



Step 9

HARDWARE

B Cam Lock Ø15 mm x2

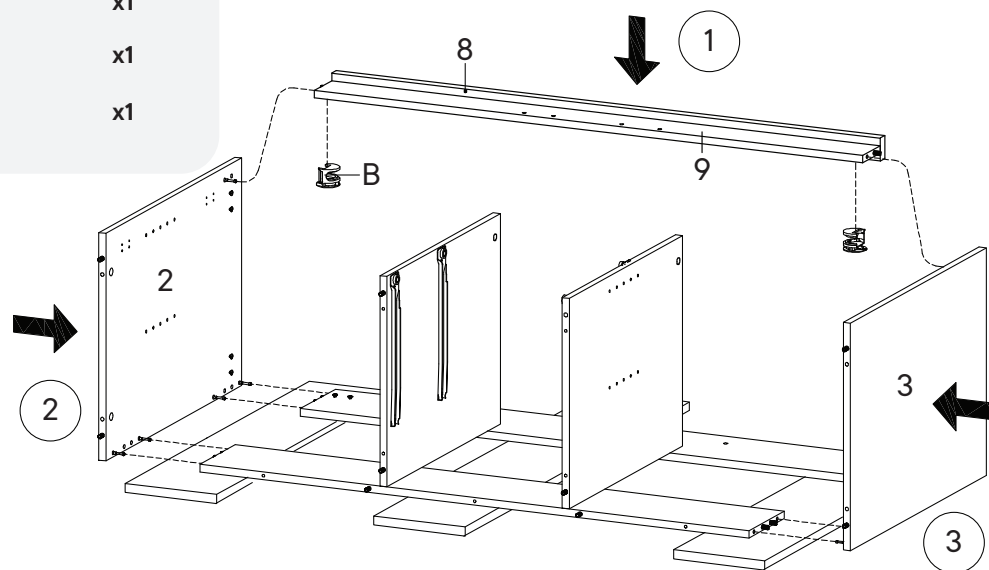
COMPONENTS

2 Side Board left x1

3 Side Board Right x1

8 Front Skirt 1 x1

9 Front Skirt 2 x1



Step 10

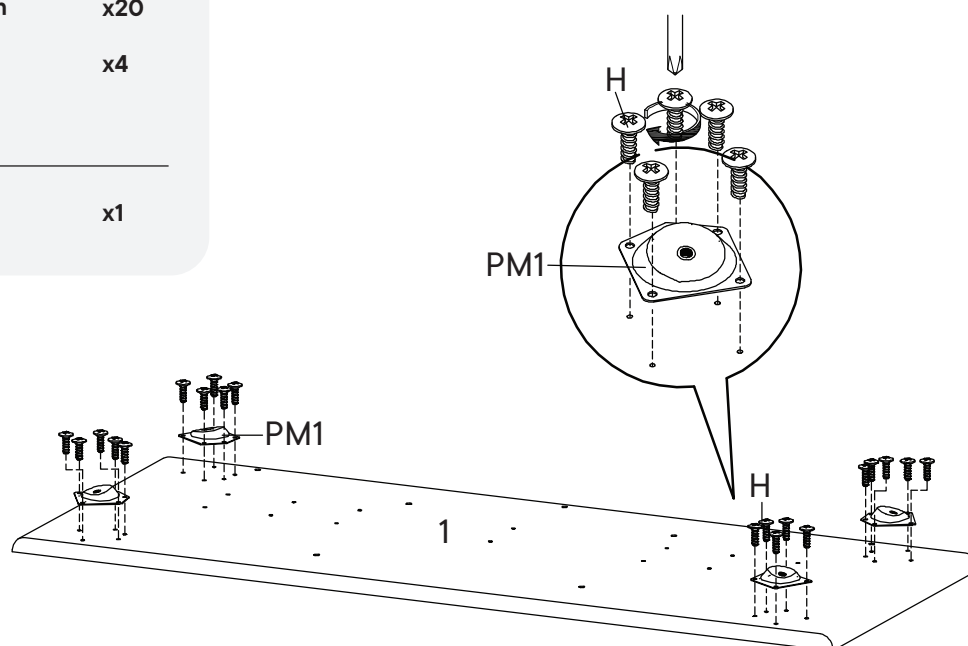
HARDWARE

H Screw M 4.5 x 12.5 mm x20

PM1 Mounting Plate x4

COMPONENTS

1 Bottom Board x1

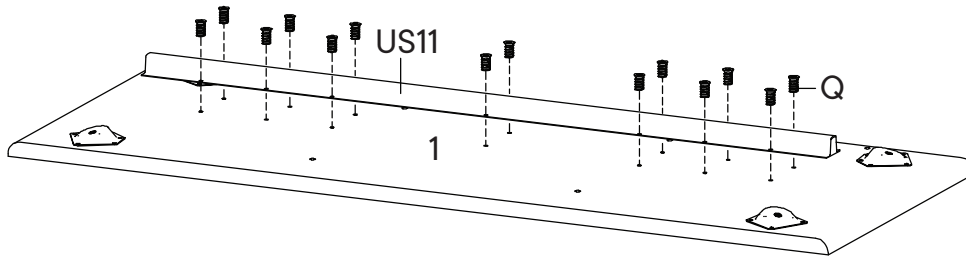
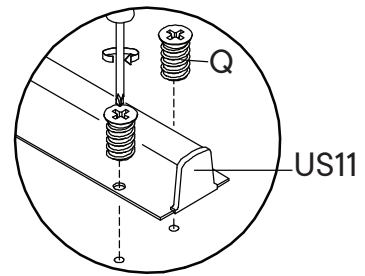


Step 11

HARDWARE

Q Screw M 6 x 10.5 mm x14

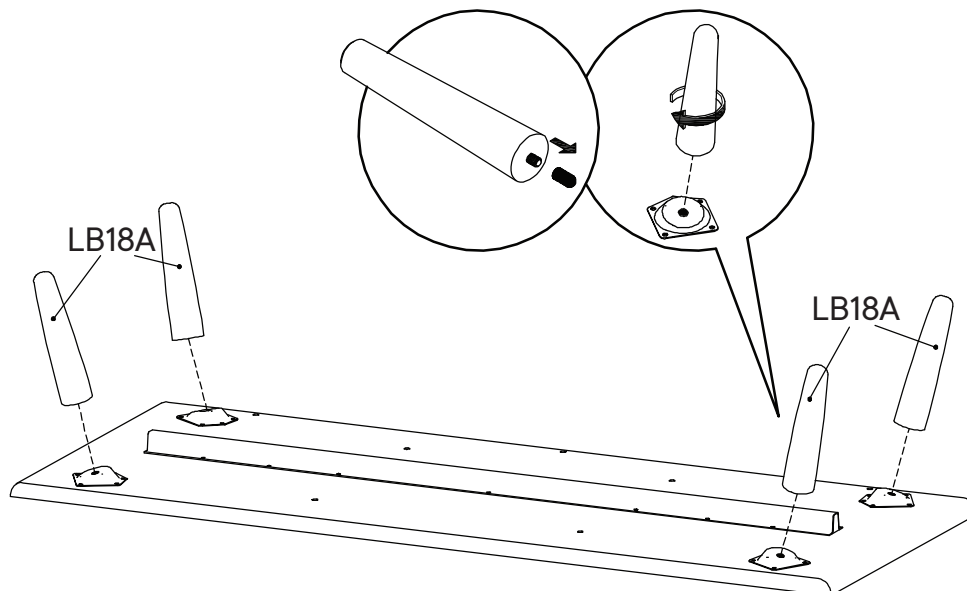
US11 Anti Deflection Bar x1



Step 12

COMPONENT

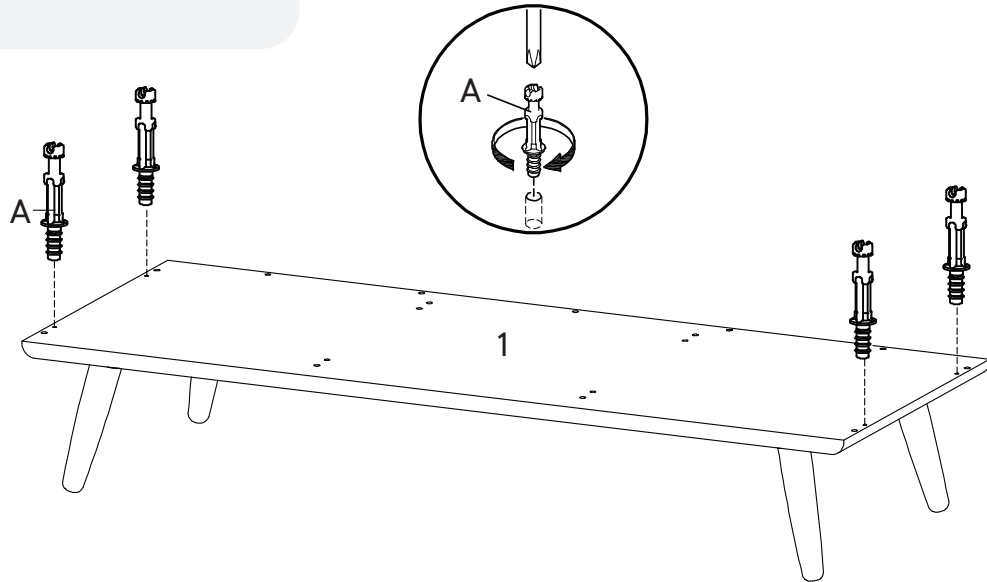
LB18A Leg x4



Step 13

HARDWARE

- A** Cam Bolt $\varnothing 6 \times 35$ mm x4



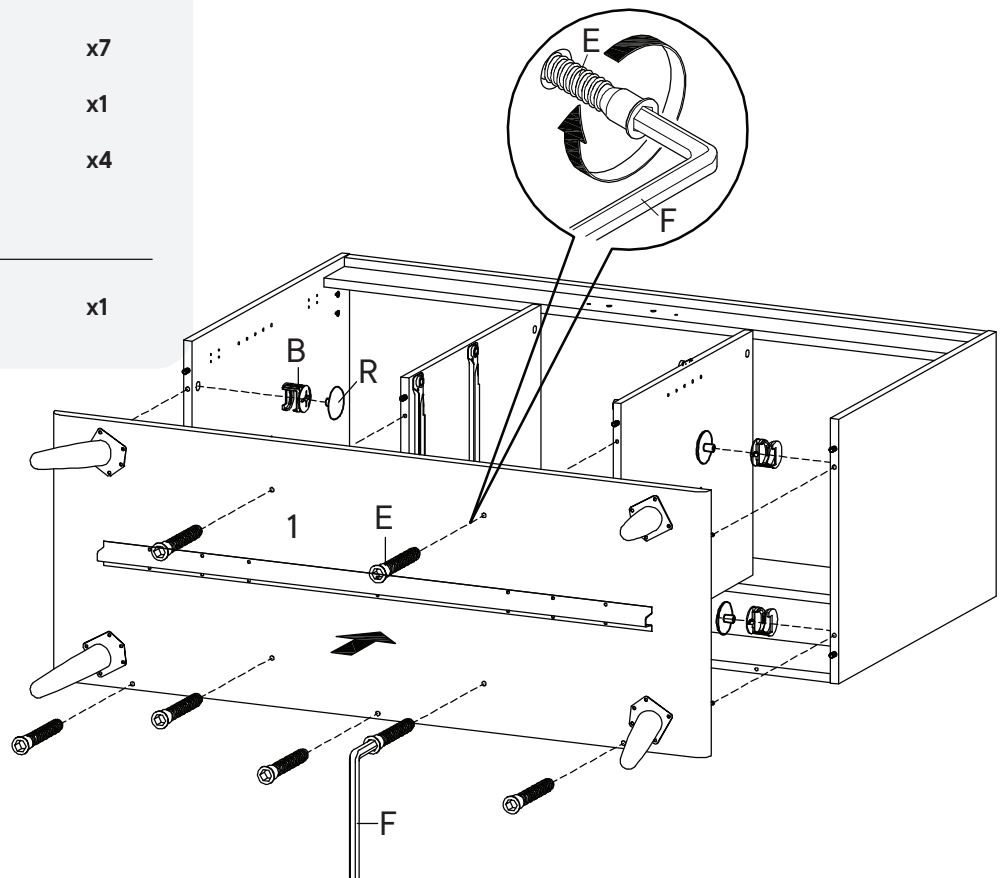
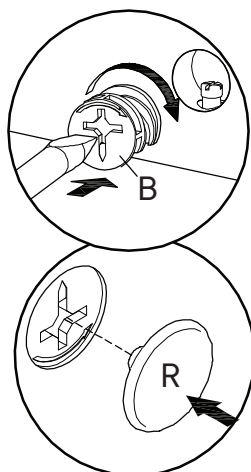
Step 14

HARDWARE

- B** Cam Lock $\varnothing 15$ mm x4
- E** Screw M 7 x 50 mm x7
- F** Allen Key x1
- R** Screw Cap $\varnothing 15$ mm x4

COMPONENTS

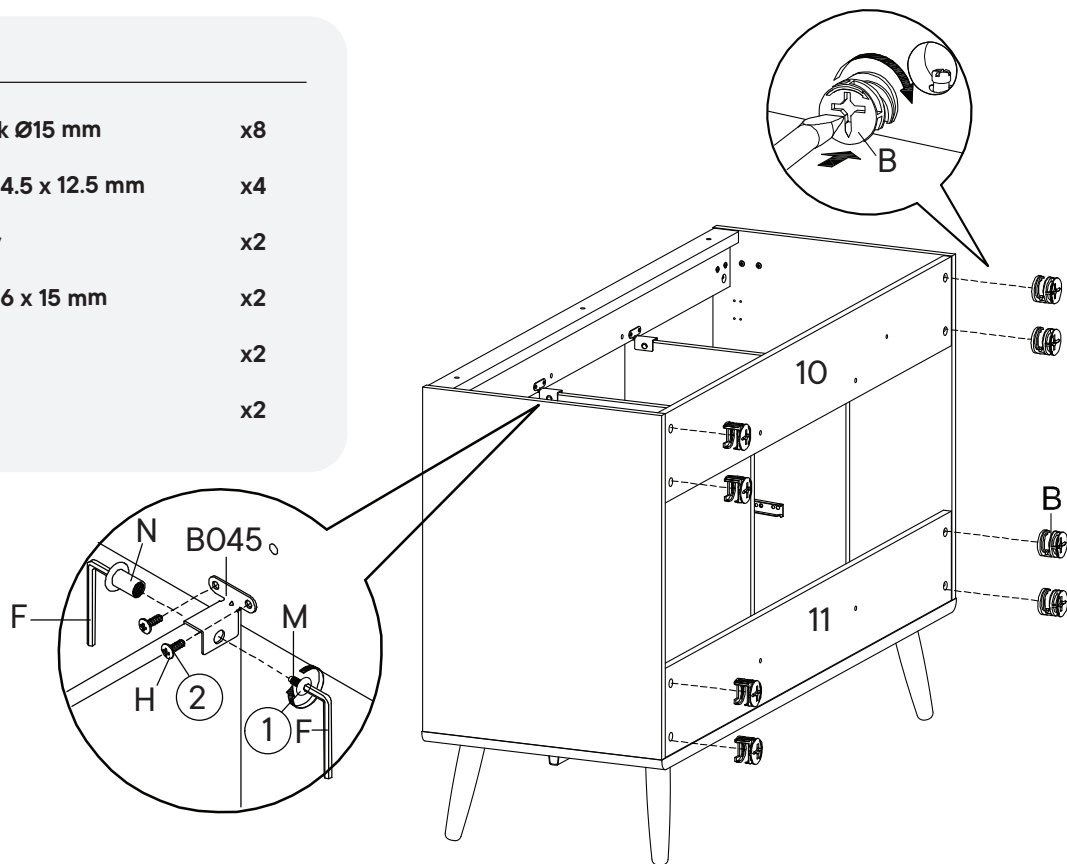
- 1** Bottom Board x1



Step 15

HARDWARE

| | | |
|-------------|-----------------------|----|
| B | Cam Lock Ø15 mm | x8 |
| H | Screw M 4.5 x 12.5 mm | x4 |
| F | Allen Key | x2 |
| M | Screw M 6 x 15 mm | x2 |
| N | JCN Nut | x2 |
| B045 | Bracket | x2 |



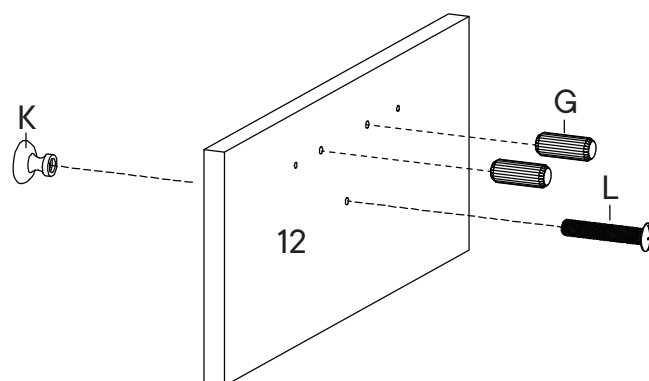
Step 16

HARDWARE

| | | |
|----------|-----------------------|----|
| G | Wood Dowel Ø8 x 20 mm | x2 |
| K | Handle | x1 |
| L | Screw M 4 x 22 mm | x1 |

COMPONENTS

| | | |
|-----------|-------------------|----|
| 12 | Fake Front Drawer | x1 |
|-----------|-------------------|----|



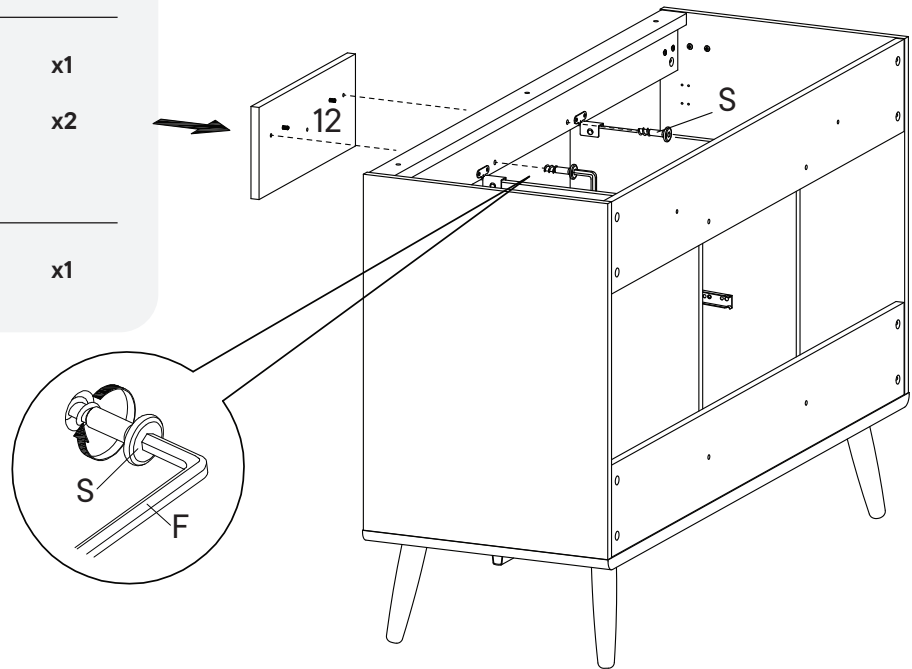
Step 17

HARDWARE

- F** Allen Key x1
- S** Screw M 6.4 x 25 mm x2

COMPONENTS

- 12** Fake Front Drawer x1



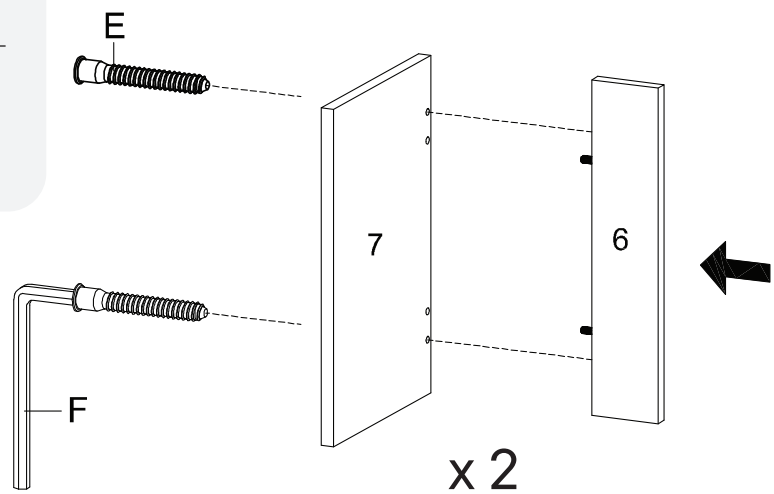
Step 18

HARDWARE

- E** Screw M 7 x 50 mm x4
- F** Allen Key x1

COMPONENTS

- 6** Support Board x2
- 7** Adjustable Shelf x2



Step 19

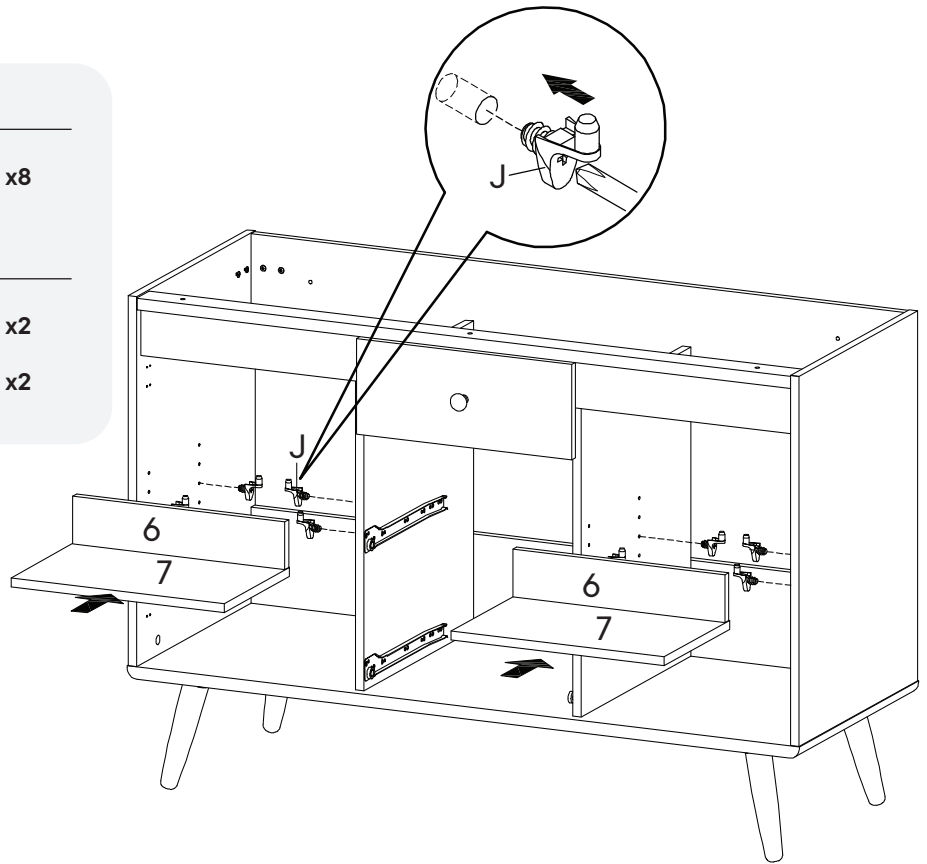
HARDWARE

J Shelf Support x8

COMPONENTS

6 Support Board x2

7 Adjustable Shelf x2



Step 20

HARDWARE

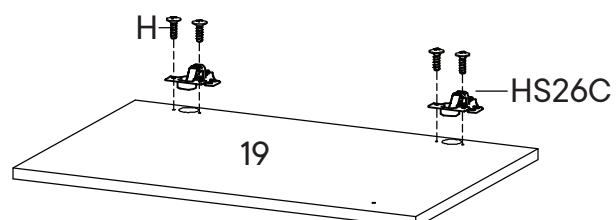
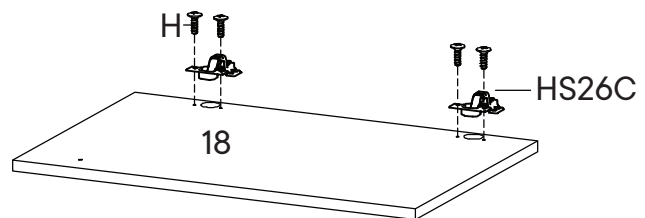
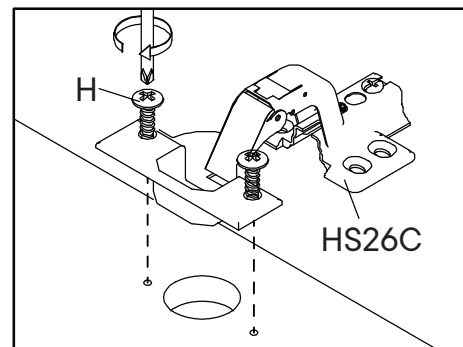
H Screw M 4.5 x 12.5 mm x8

HS26C Hinge x4

COMPONENTS

18 Wooden Door Left x1

19 Wooden Door Right x1



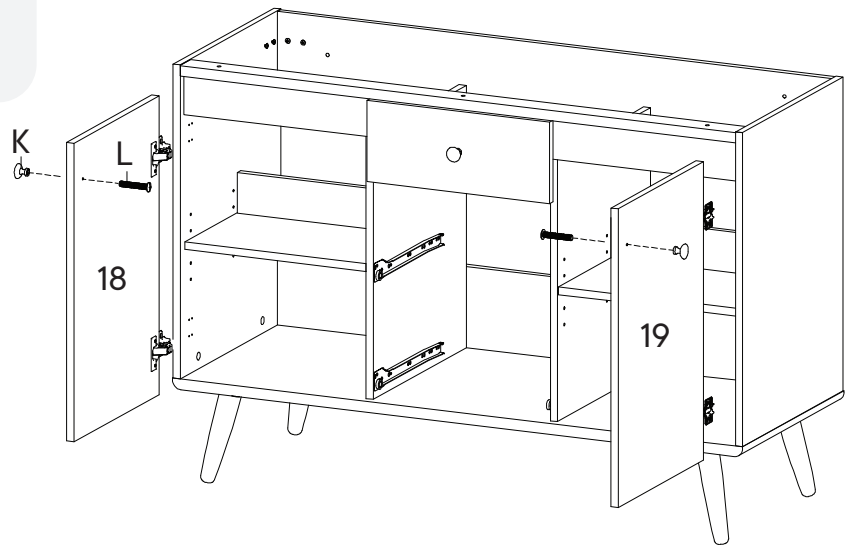
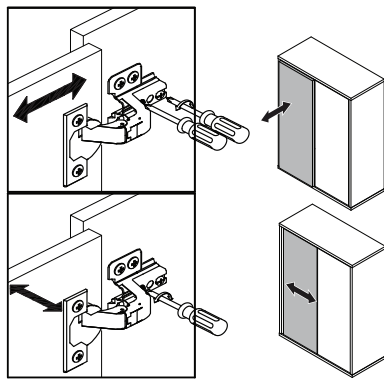
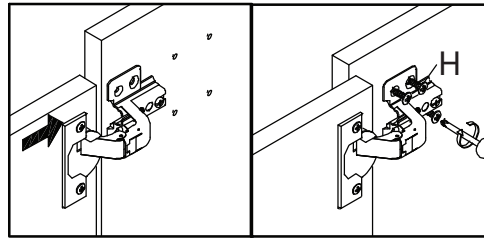
Step 21

HARDWARE

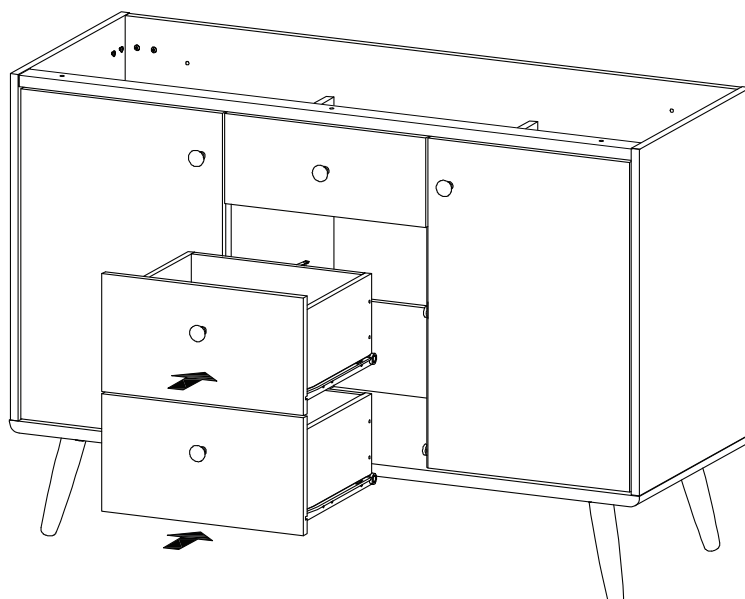
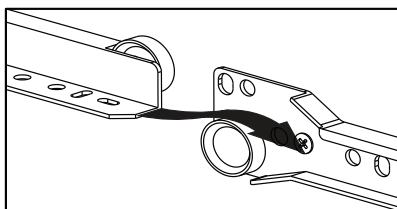
- H** Screw M 4.5 x 12.5 mm x16
- K** Handle x2
- L** Screw M 4 x 22 mm x2

COMPONENTS

- 18** Wooden Door Left x1
- 19** Wooden Door Right x1



Step 22

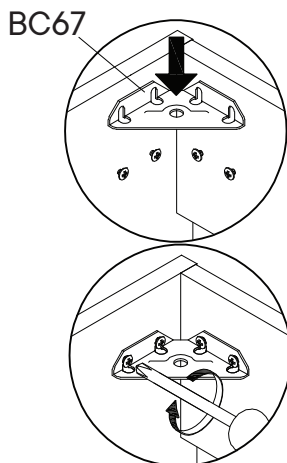


Step 23

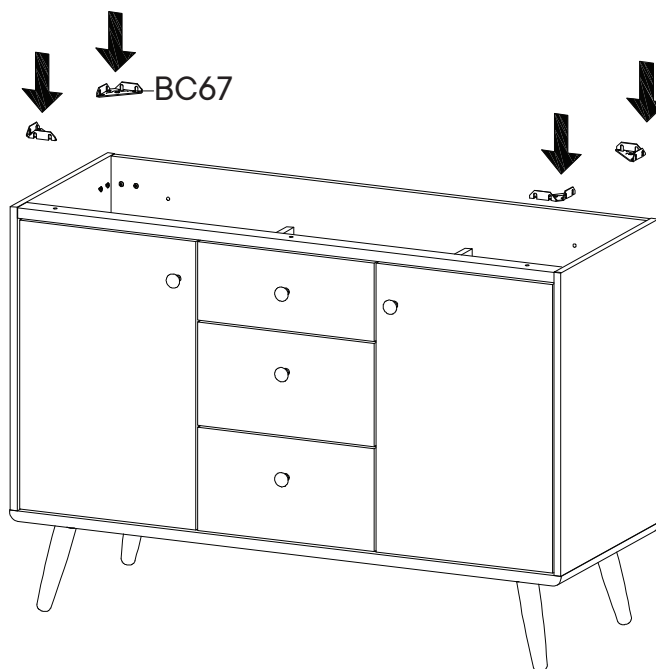
HARDWARE

BC67 Bracket

x4



NOTE :
Tighten all the screw



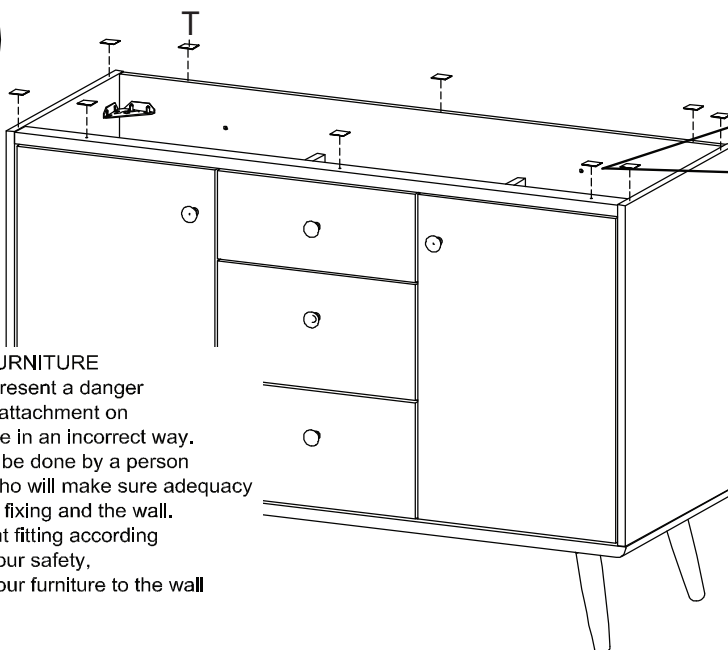
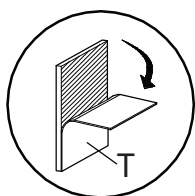
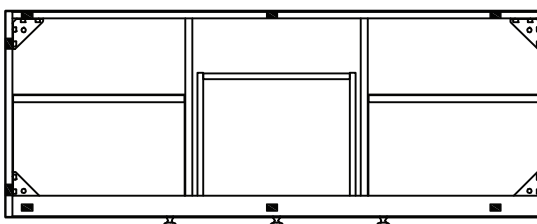
Step 24

HARDWARE

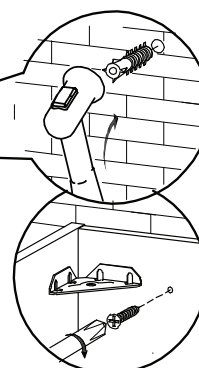
T Foam Pad

x10

TOP VIEW



DETAIL HOLE FOR
WALL FIXING



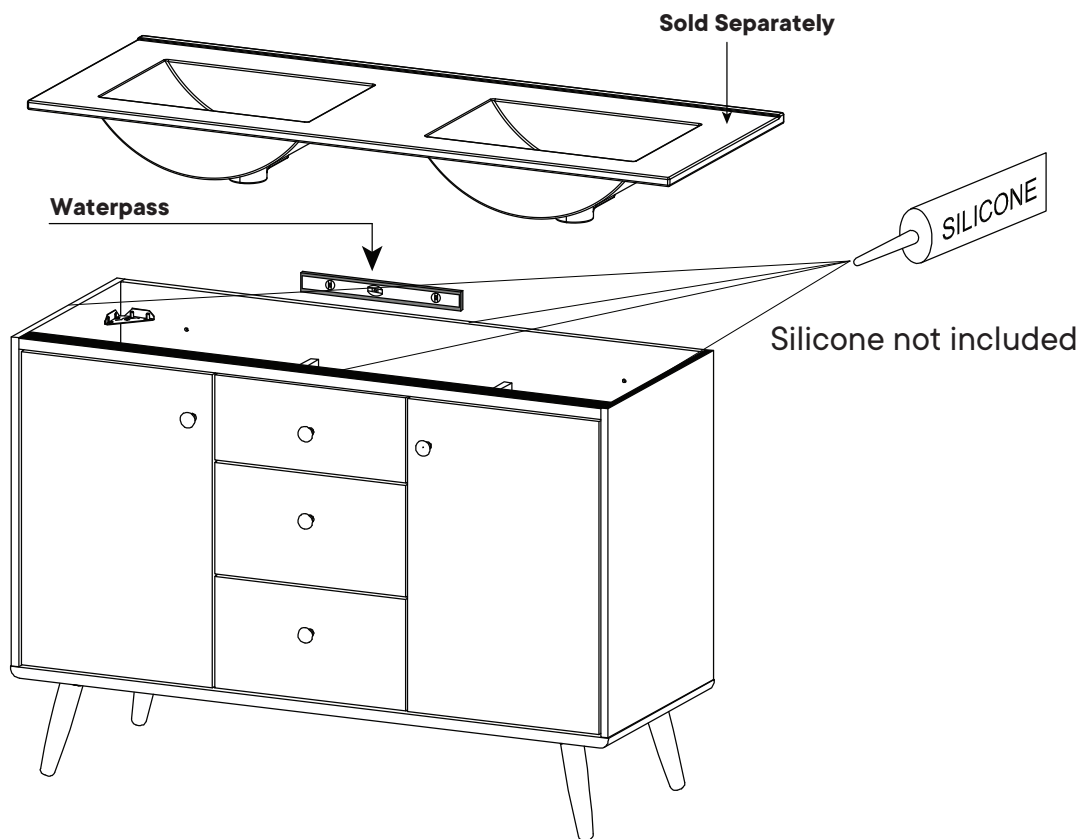
NOTE :
Hammer, fisher and screw not
included

ATTACHMENT OF FURNITURE

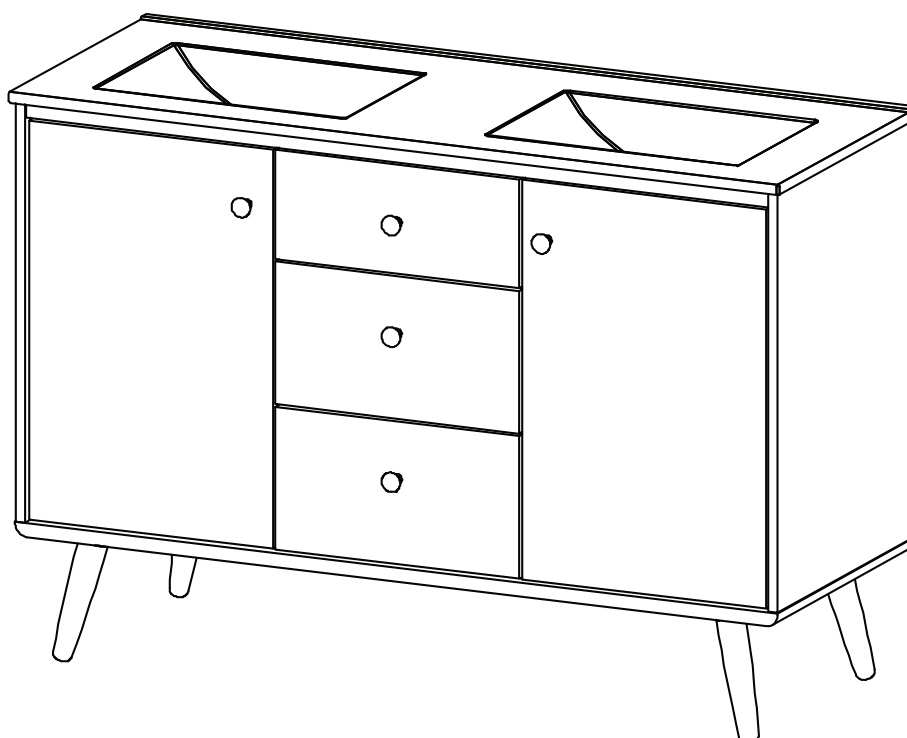
This furniture may represent a danger for your security if it's attachment on the wall has been done in an incorrect way. This attachment must be done by a person with great expertise who will make sure adequacy between the device of fixing and the wall. Please source the right fitting according to the wall type. For your safety, it is imperative to fix your furniture to the wall

Step 25

Apply a thin bead of silicone compound around the vanity base and set the vanity top carefully in place. Remove any excess silicone compound with a wet rag



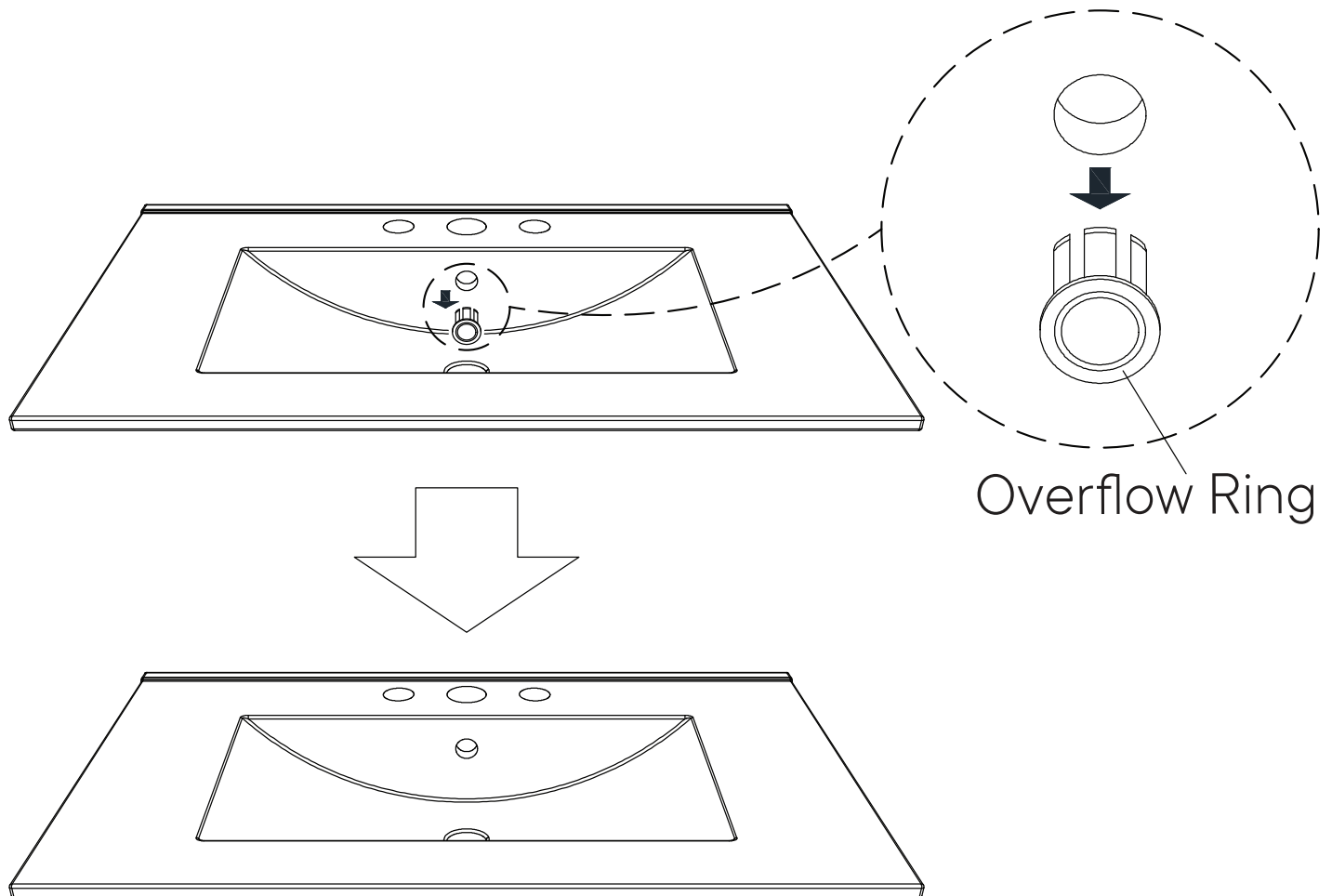
Step 26



A quick note...

*modway

Your sink basin comes complete with a silver overflow ring.
If you'd like to remove this overflow ring, you can do so by hand.



Wait!

Missing parts or hardware? Need assistance?

Contact us before returning your item. We're here to help!

609.256.9000 • cs@modway.com

Great job!

Vanity Cabinet assembly is complete.

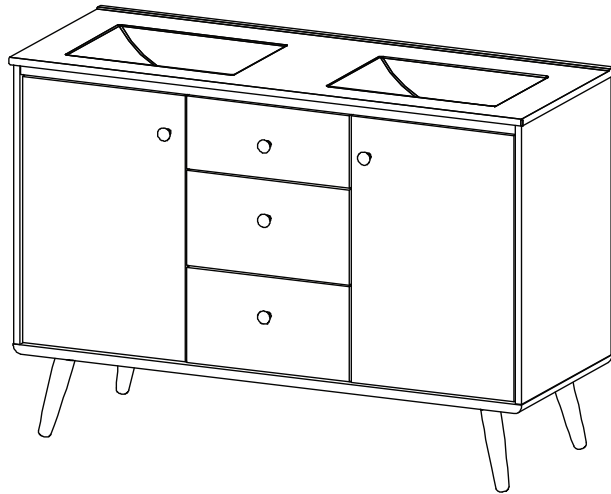
♥ CARING FOR YOUR ITEM

Indoor use only.

Not contract grade.

Clean using a non-abrasive cloth and a mild cleaner.

Never use harsh chemicals, as they could damage the finish or integrity of the item.



CONNECT WITH US!   

Tag us [@modway_furniture](#) and [#modway](#) for a chance to be featured.