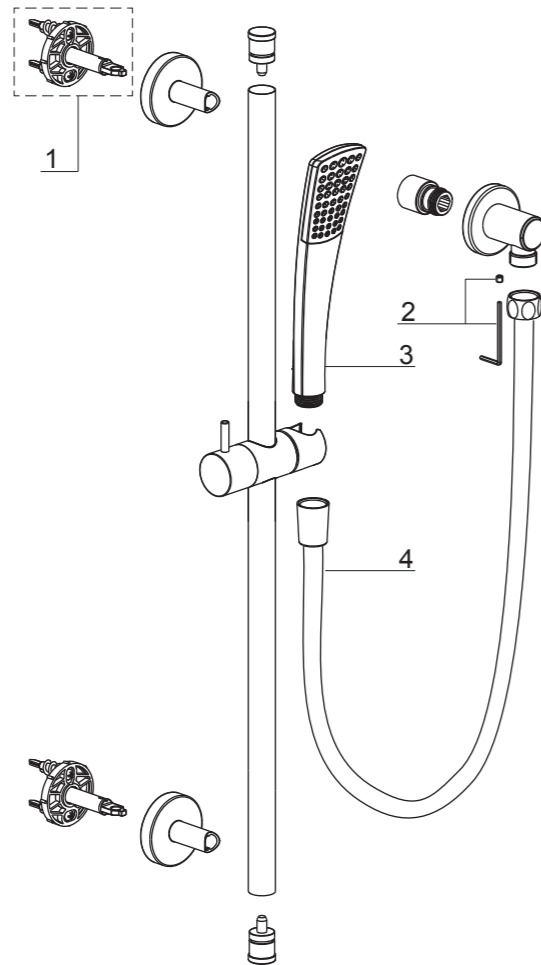


UF79300-7  
UF79303-7

| NO. | Description                     | Part NO.     |
|-----|---------------------------------|--------------|
| 1   | Mounting Hardware               | 5Y0110000PLO |
| 2   | Slide Bar Set Screw & Allen Key | 9Q243400NT   |
| 3   | Hand Shower                     | 5F0M020900   |
| 4   | Hand Shower Hose                | 51014603     |



### Limited Lifetime Warranty

Ultra Faucets warrants to the original purchaser that its products will be free from defects in workmanship and materials. All Ultra Faucets are provided with a life time limited warranty. This warranty does not cover any other labor or service charges associated with the removal, repair, or reinstallation of Ultra Faucets products. This express warranty does not apply to products that have been damaged as a result of misuse, abuse, negligence, accident, faulty installation or maintenance practices and/or used in any manner contrary to those recommended by the manufacturer.

**Need help?** Please call our toll-free customer service line at 1-888-658-5872 for additional assistance or service.

**Besoin d'aide?** Veuillez communiquer avec notre service à la clientèle au numéro gratuit 1-888-658-5872 pour tous renseignements ou services complémentaires.

**¿Requiere asistencia?** Llame a nuestro Servicio al Cliente, sin costo, al 1-888-658-5872 para asistencia adicional o servicio.

# Twist Collection

## Slide Bar with Hand Shower



## Installation/Installation/Instalación

### CUSTOMER SERVICE

**TOLL-FREE 1-888-OK-ULTRA (658-5872)**

UF79300-7 - Polished Chrome  
UF79303-7 - PVD Brushed Nickel



### Tools You Will Need / Outils dont vous aurez besoin / Herramientas necesarias



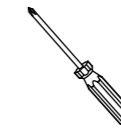
Adjustable Wrench  
Clé à molette  
Llave ajustable



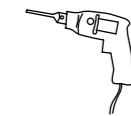
Pipe Tape  
Ruban pour tuyau  
Cinta selladora para rosca



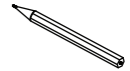
Groove join pliers  
Pince multiprise  
Pinzas ajustables



Phillips Screwdriver  
Tournevis cruciforme  
Destornillador cruciforme



Drill  
Perceuse  
Taladro



Pencil  
Crayon  
Lápiz



Hex Wrench  
Clé hexagonale  
Llave hexagonal

### SAFETY TIPS

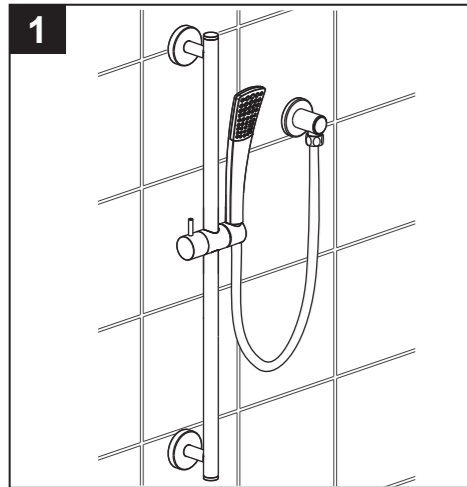
- If you use soldering for the installation of the faucet, the seats, cartridges and washers will have to be removed before using flame. Otherwise, warranty will be void on those parts.
- Cover your drain to avoid losing parts.
- 0°C~55°C.

### CONSIGNES DE SÉCURITÉ

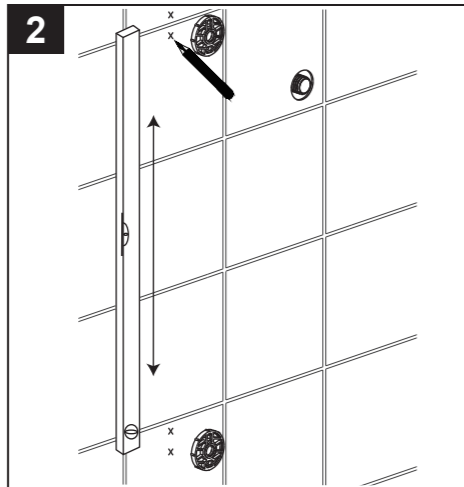
- Si vous posez le robinet par brasage, il est essentiel de retirer les sièges, les cartouches et les rondelles avant d'appliquer la flamme, faute de quoi la garantie sur ces pièces sera annulée.
- Couvrez le drain pour ne pas perdre des pièces.
- 0°C~55°C.

### CONSEJOS DE SEGURIDAD

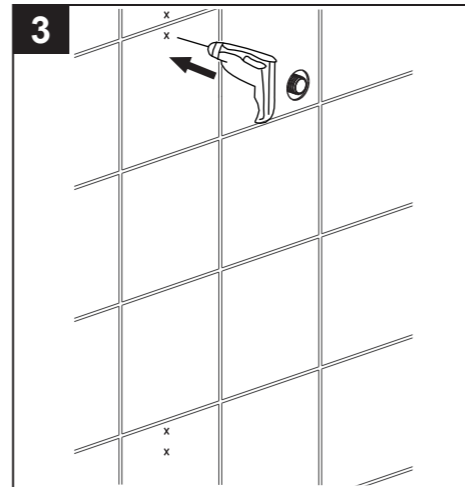
- En el caso de utilizar soldadura para instalar el grifo, remueva los asientos, cartuchos y arandelas antes de usar la llama. De lo contrario, se anulará la garantía para esos componentes.
- Tape la boca del desagüe para prevenir la pérdida de piezas pequeñas.
- 0°C~55°C.



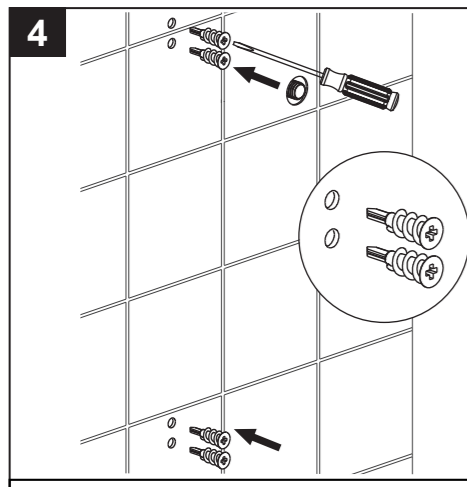
1 Determine the location of the sliding bar.



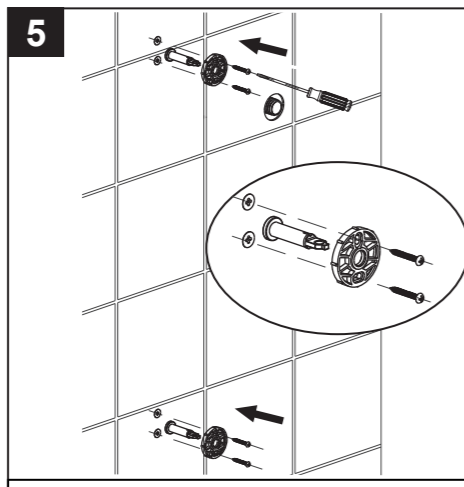
2 Align brackets and mark drill holes in desired location.



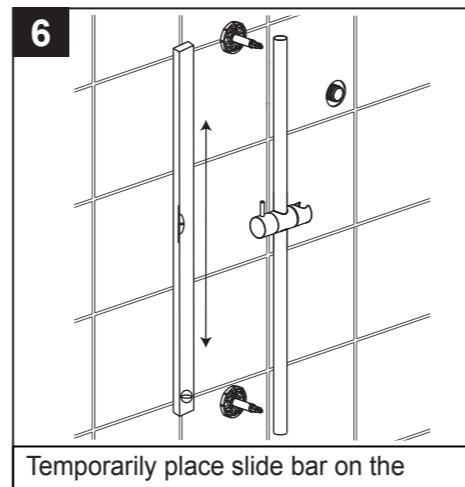
3 Drill 1/4" holes in marked locations.



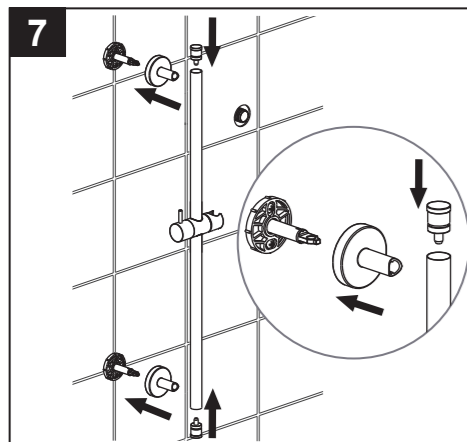
4 Drive the wall anchors into the drilled holes with a Phillips screwdriver.



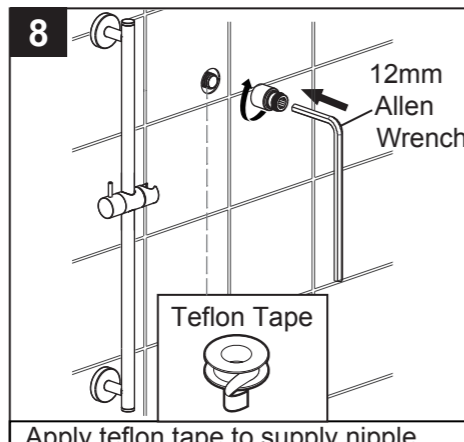
5 Place the mounting brackets over the wall anchors. Secure them to the wall using the supplied screws.



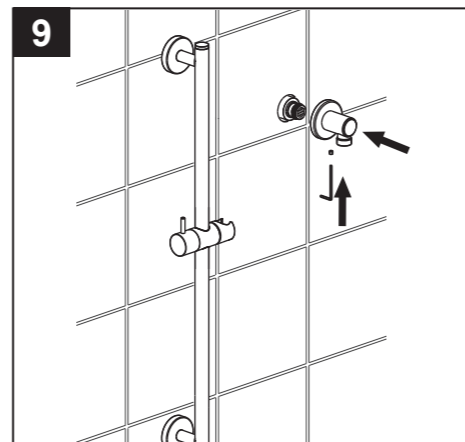
6 Temporarily place slide bar on the mounting brackets to check alignment. If necessary, loosen the screws and realign the mounting brackets.



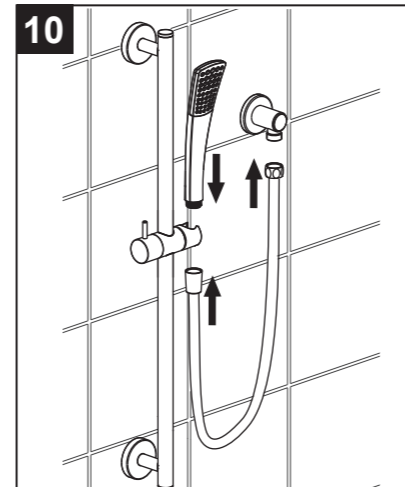
7 Place sliding bar assembly on the mounting bracket and then fix the sliding bar with top cover.



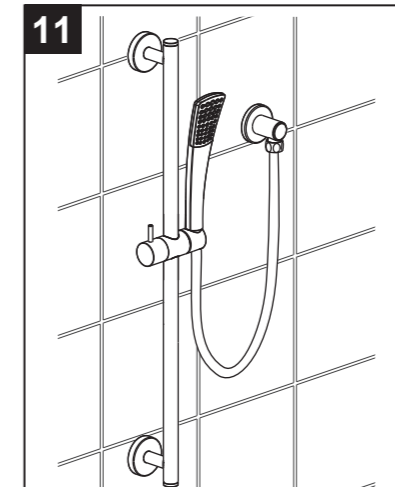
8 Apply teflon tape to supply nipple. Thread on supply nipple to 1/2" NPT water supply. Apply teflon tape to supply nipple and thread on bushing with 12mm allen wrench.



9 Push on hand shower supply outlet nipple and secure with set screw.



10 Connect Shower Hose.



11 Installation complete.