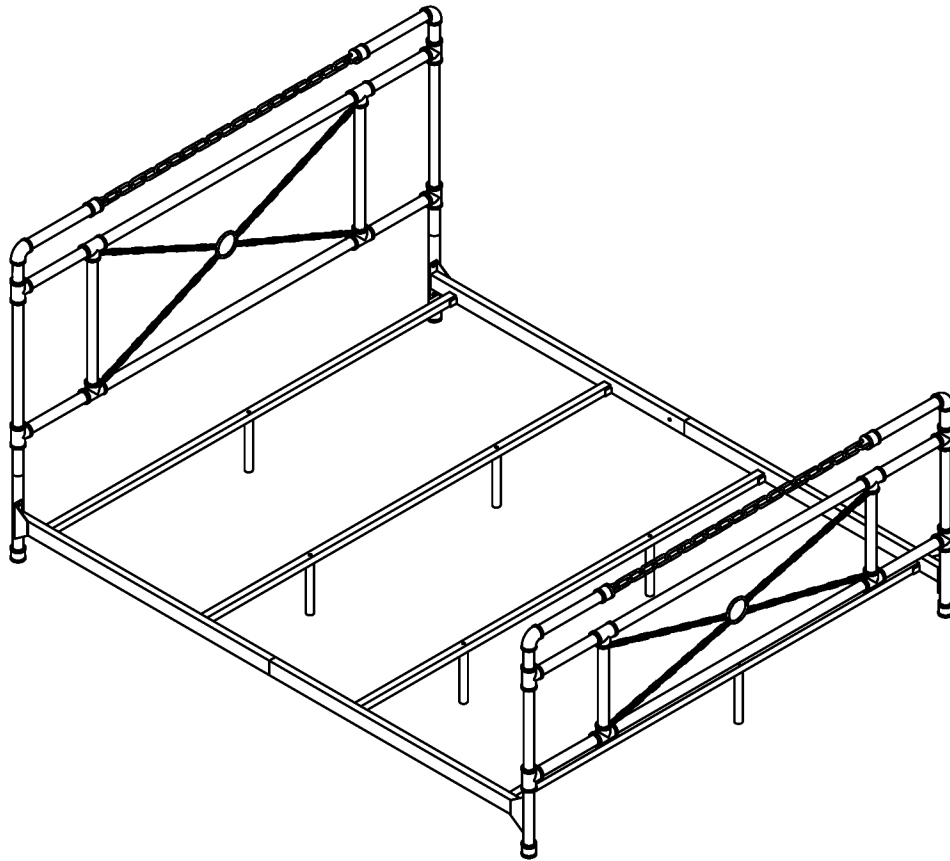


# Assembly Instructions

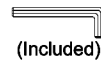


## ASSEMBLY RATING

The Assembly Rating is a 5-point system that shows the degree of effort needed in assembling a specific product (with 1 being easy and 5 being difficult). For some products, two persons are recommended.

## Tools Required For Assembly:

Allen Wrench



EASY



DIFFICULT

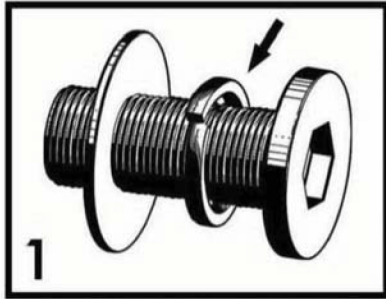


2 PERSONS RECOMMENDED

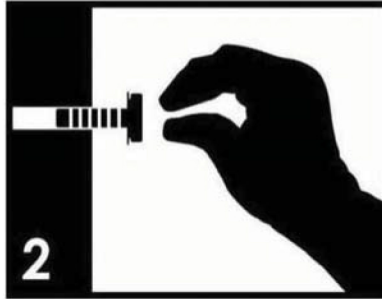
# ASSEMBLY & CARE ADVICE

FOR YOUR FURNITURE TO LAST, CORRECT ASSEMBLY AND PROPER MAINTENANCE ARE NECESSARY. PLEASE FOLLOW THE INFORMATION PROVIDED BELOW TO FULLY ENJOY YOUR FURNITURE.

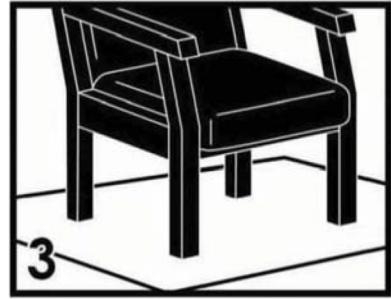
## BASIC ASSEMBLY TECHNIQUES



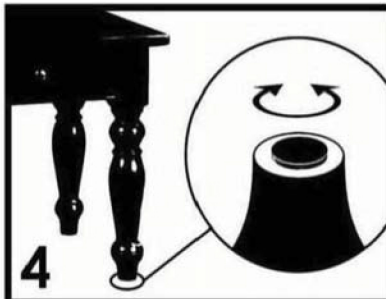
1 When lock or spring washer is used in an assembly, please make sure the lock or spring washer is placed between the larger flat washer and the head of the screw or bolt.



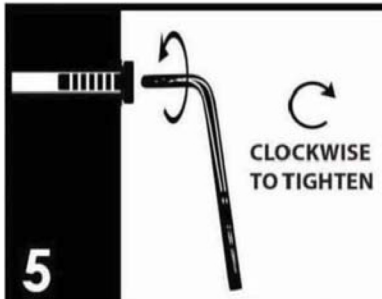
2 Position each part correctly and insert screws or bolts into their respective holes by hand tighten or using the proper hand tool. Only tighten when step is completed or when instructed to do so.



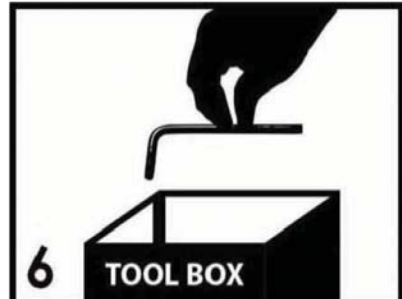
3 Use cardboard or carpet area when assembling furniture to prevent scratches. Make sure the furniture rests on a flat and level surface with each leg evenly touching the floor.



4 Some furniture comes with height adjustment knobs underneath each leg. To lower or to raise each leg, you need to turn clockwise or counterclockwise, respectively.



5 Make sure all parts are properly aligned, then use the appropriate hand tool to completely tighten the bolts or screws. Do not use power tools and do not overtighten.



6 Save the instructions and store the Allen wrench or any supplied tool for later maintenance. After two weeks, check and tighten any loose hardware and repeat again every six months thereafter.

IT IS THE USER'S RESPONSIBILITY TO MAINTAIN THE FURNITURE. THE HARDWARE MAY LOOSEN OVER TIME AND MAY CAUSE THE FURNITURE TO BE WOBBLY AND UNABLE TO SUPPORT ITS INTENDED WEIGHT CAPACITY. THIS MAY LEAD TO COLLAPSE AND MAY CAUSE SERIOUS INJURY.



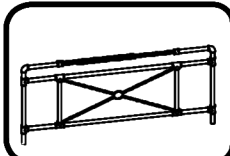
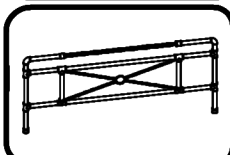
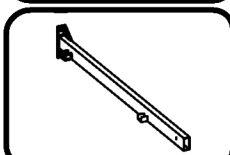
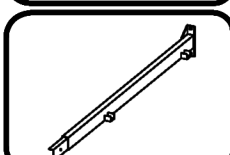
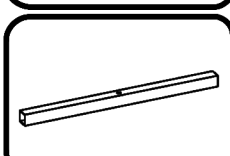
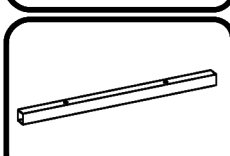
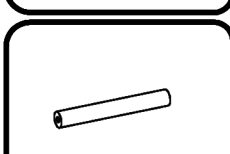
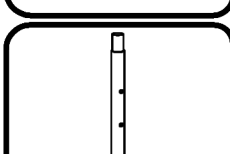
FAILURE TO FOLLOW THE GUIDELINES ABOVE MAY RESULT IN INJURY AND/OR PROPERTY DAMAGE.



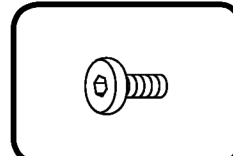
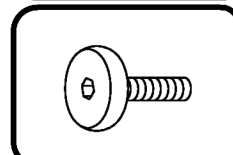
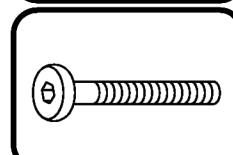
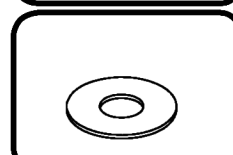
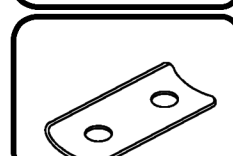
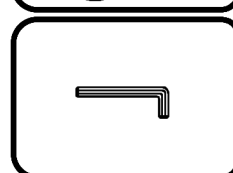
Before you begin, please read Page 2 of "Assembly and Care Advice".

And remember, do not tighten until each step is completed or instructed.

### Parts List




-  #1 x 1pc  
Headboard
-  #2 x 1pc  
Footboard
-  #3 x 2pcs  
Side Rail
-  #4 x 2pcs  
Side Rail
-  #5 x 2pcs  
Slat
-  #6 x 2pcs  
Slat
-  #7 x 6pcs  
Support leg
-  #8 x 2pcs  
Extension leg

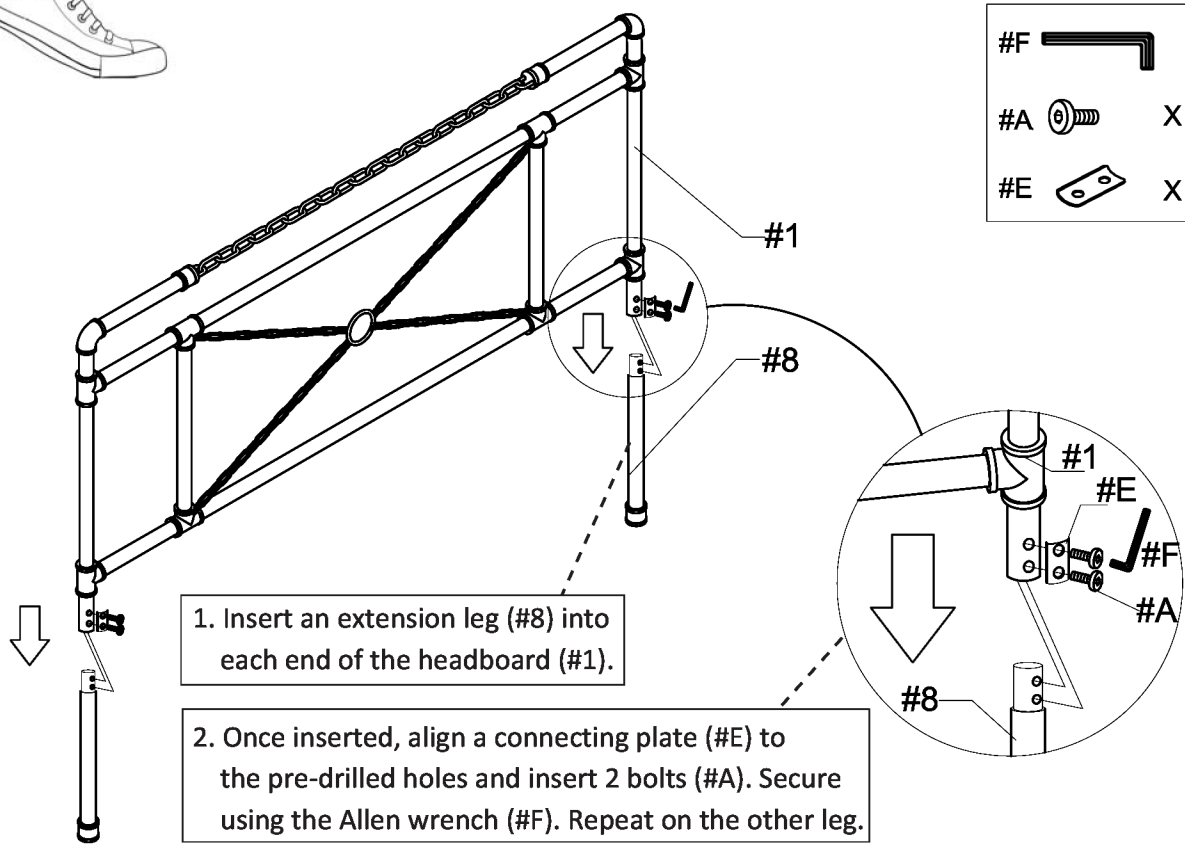
### Hardware List

-  #A x 18pcs  
Bolt 1/4" X 15 mm
-  #B x 8pcs  
Bolt 1/4" X 18 mm
-  #C x 6pcs  
Bolt 1/4" X 44 mm
-  #D x 28pcs  
Flat washer
-  #E x 2pcs  
Connecting plate
-  #F x 1pc  
Allen Wrench



#1




- #F  X 4 pcs
- #A  X 4 pcs
- #E  X 2 pcs



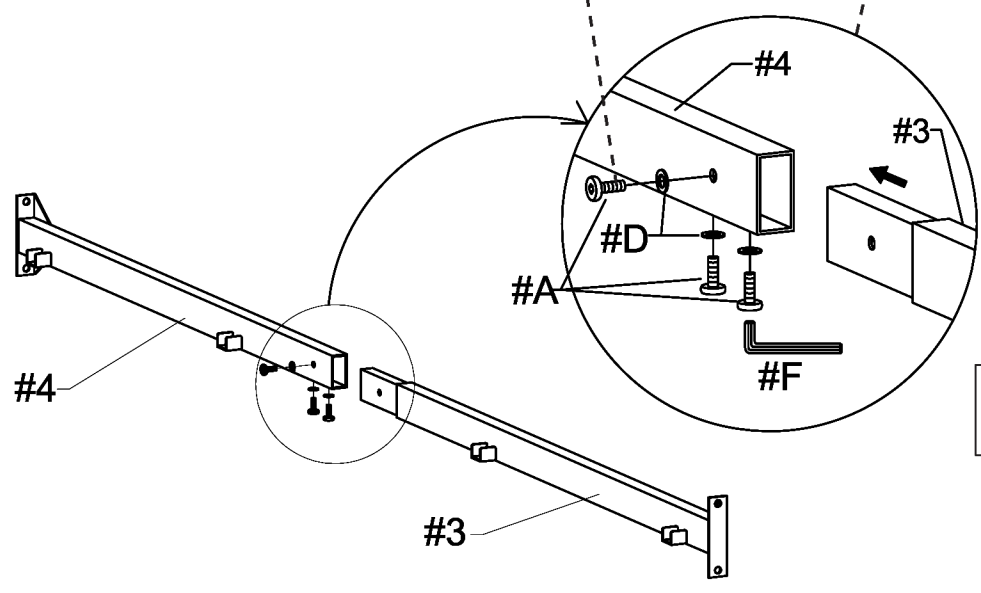
1. Insert an extension leg (#8) into each end of the headboard (#1).
2. Once inserted, align a connecting plate (#E) to the pre-drilled holes and insert 2 bolts (#A). Secure using the Allen wrench (#F). Repeat on the other leg.



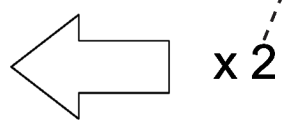
#2

- #F  X 6 pcs
- #A  X 6 pcs
- #D  X 6 pcs

1. Insert the side rail (#3) into the side rail (#4).
2. Prepare 3 bolts by inserting a flat washer (#D) onto the bolts (#A).
3. Insert 2 bolt assemblies into the bottom holes and 1 into the side hole. Secure the bolts using the Allen wrench (#F).






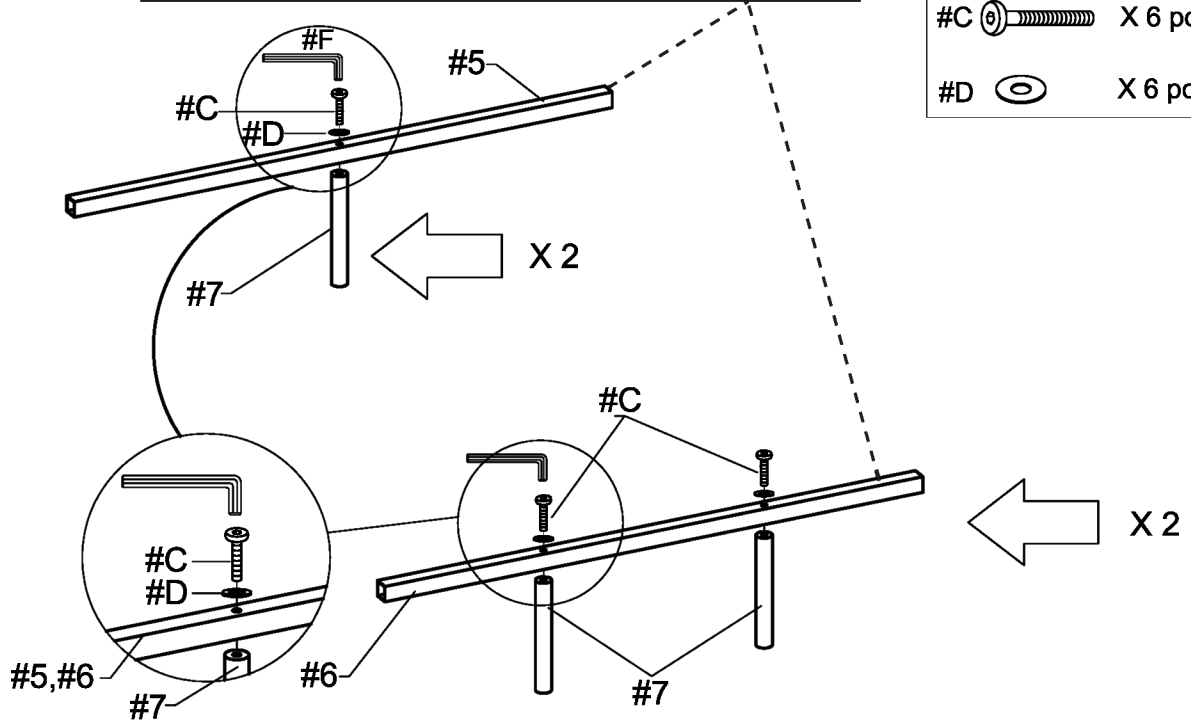
4. Repeat the process for a total of 2 side rails.








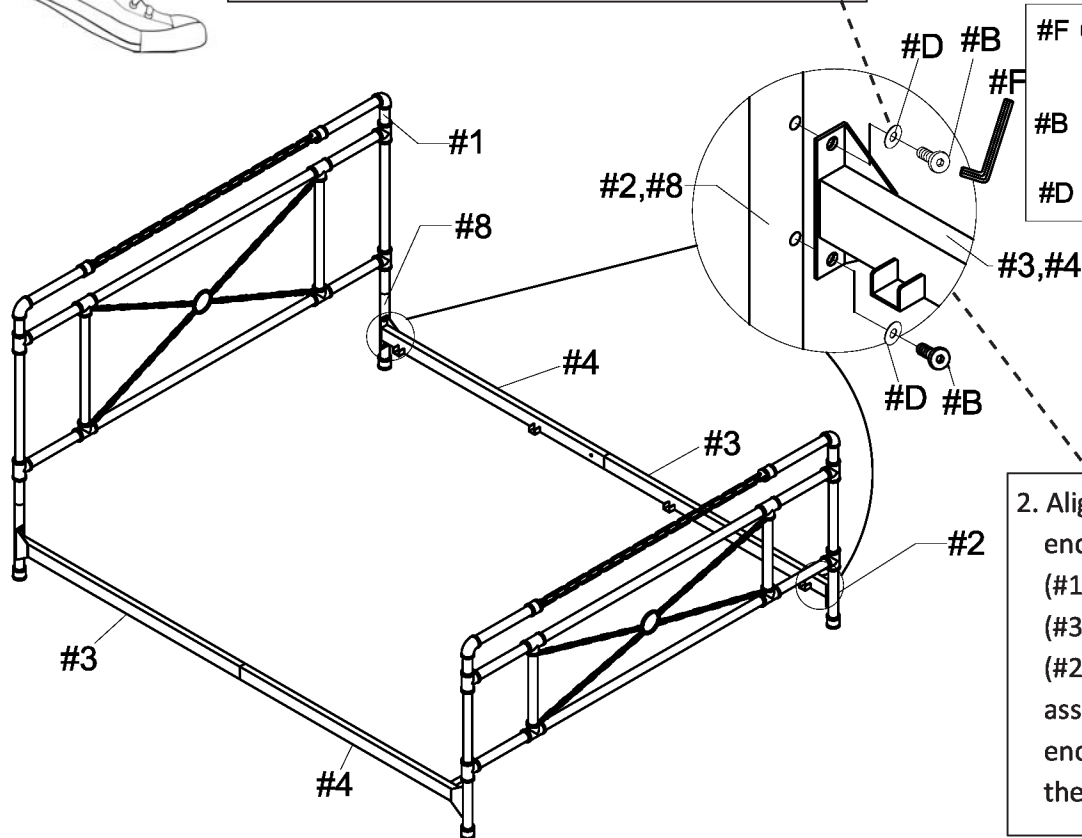
Prepare 2 slats (#5) and 2 slats (#6) by aligning a support leg (#7) to the bottom then apply a flat washer (#D) onto the bolt (#C) and insert that bolt assembly into the top of the slat. Secure using the Allen wrench (#F).

- #F 
- #C  X 6 pcs
- #D  X 6 pcs

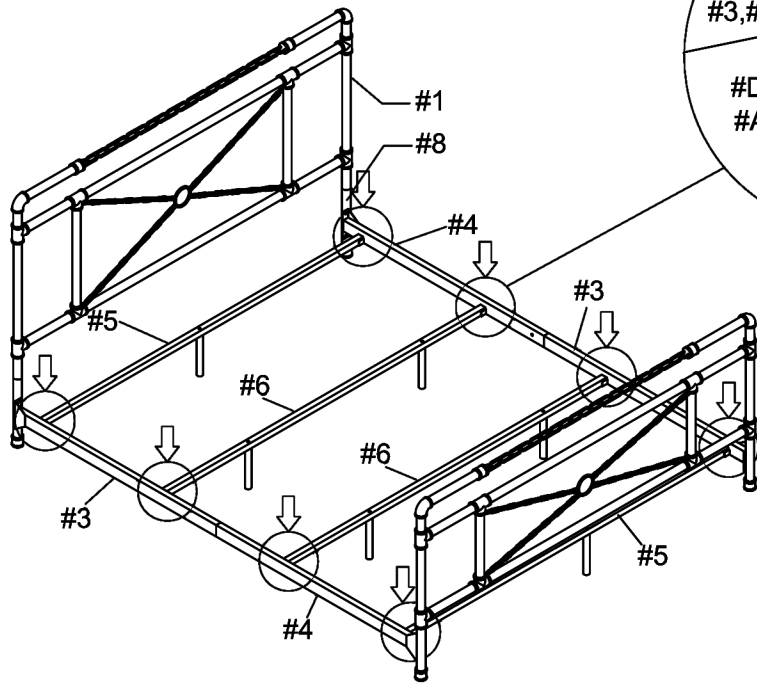


1. Prepare a total of 8 bolt assemblies by inserting a flat washer (#D) onto the bolts (#B).

- #F 
- #B  X 8 pcs
- #D  X 8 pcs



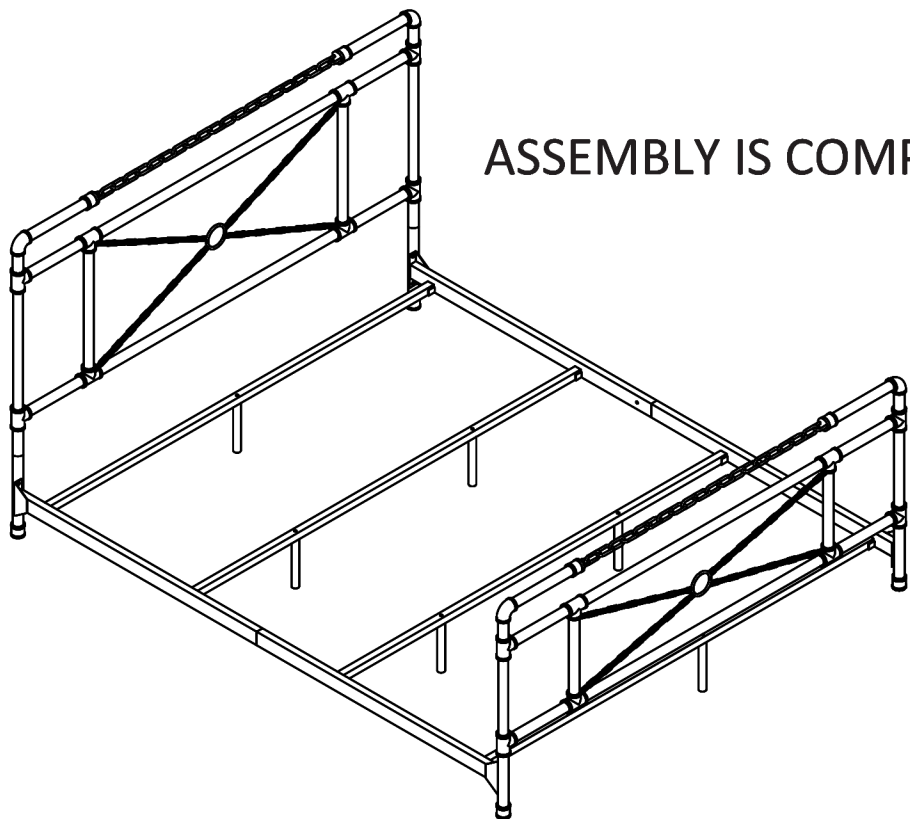
2. Align the side rail (#4) ends to the headboard (#1) and the side rails (#3) to the footboard (#2). Insert 2 bolt assemblies into each end and secure using the Allen wrench (#F).



#F		
#A		X 8 pcs
#D		X 8 pcs

1. Place the slats (#5) in the two outer slots and the slats (#6) in the two center slots.

2. Prepare 8 bolt assemblies by inserting a flat washer (#D) onto the bolts (#A). Then insert the bolt assemblies into the side rails from below and secure using the Allen wrench (#F).



**ASSEMBLY IS COMPLETED**

**Cleaning & Care**

Treat surface with care. Surface is resistant to scratches but is not scratch resistant. Clean surfaces with a dry or damp soft cloth. Do not use abrasive cleaners. Hardware may loosen over time. Periodically check that all connections are tight.