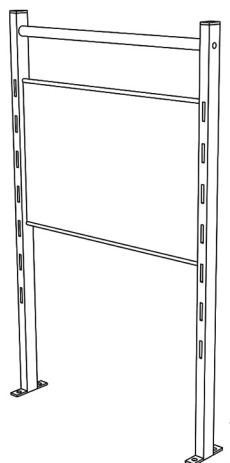
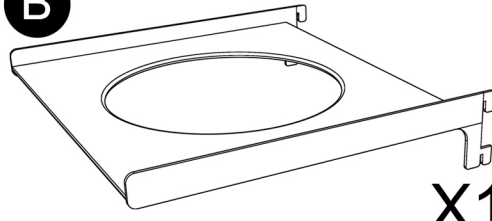
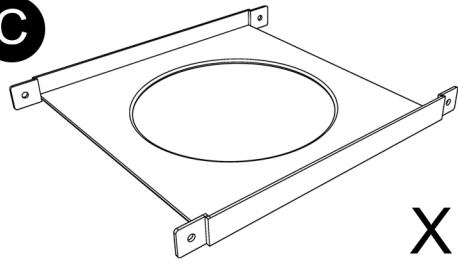
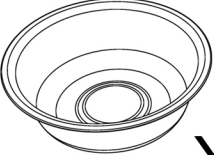
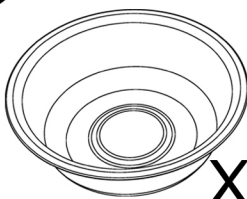
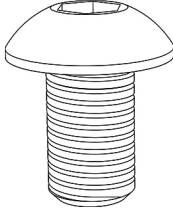
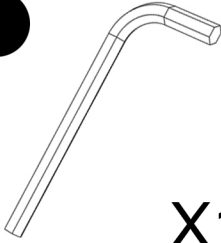


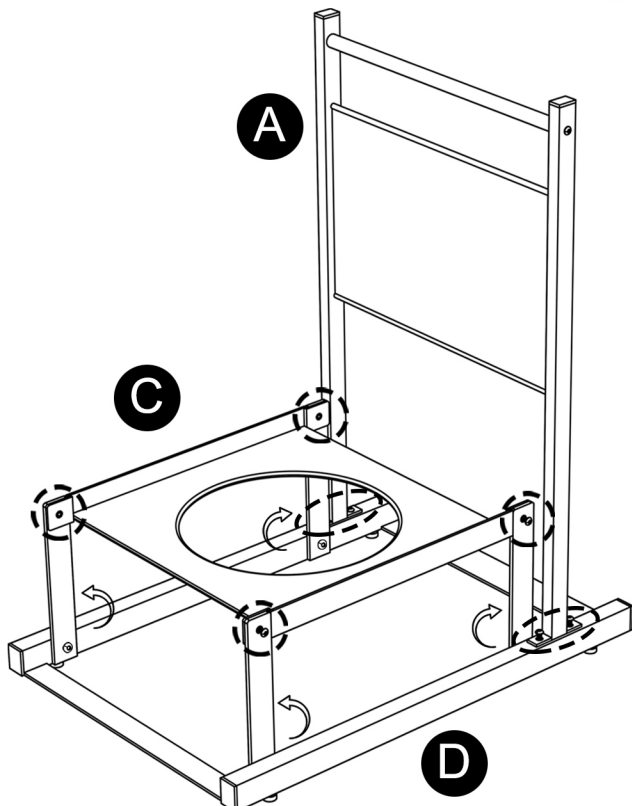
Parts List

A  X1	B  X1	C  X1	
F 850ml/28.75oz  X1	G 1140ml/38.55oz  X1	H  X8	I  X1

Assembly Instructions

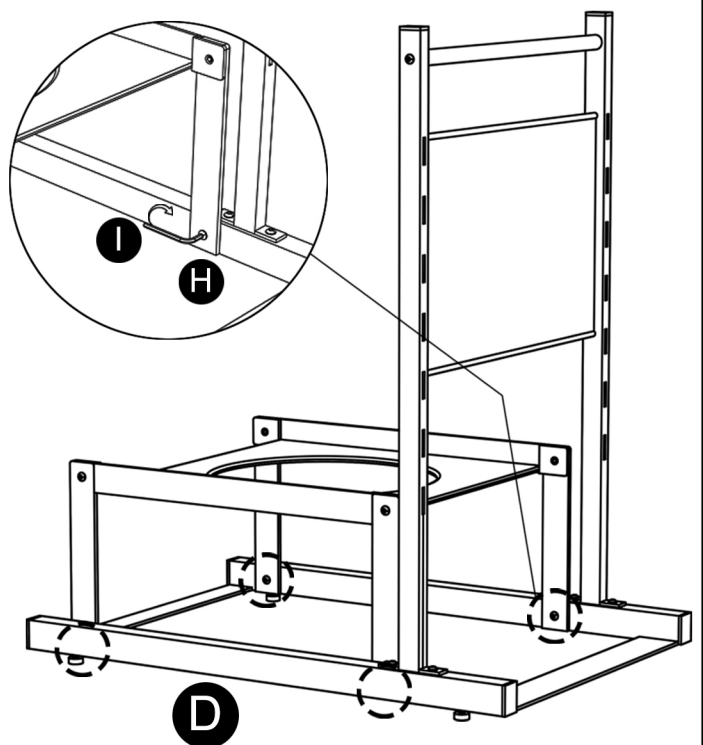
Step 1

Use the screws to connect **A** to **D**, then put up the four iron pieces of **D** and use the screws connect with **C**.



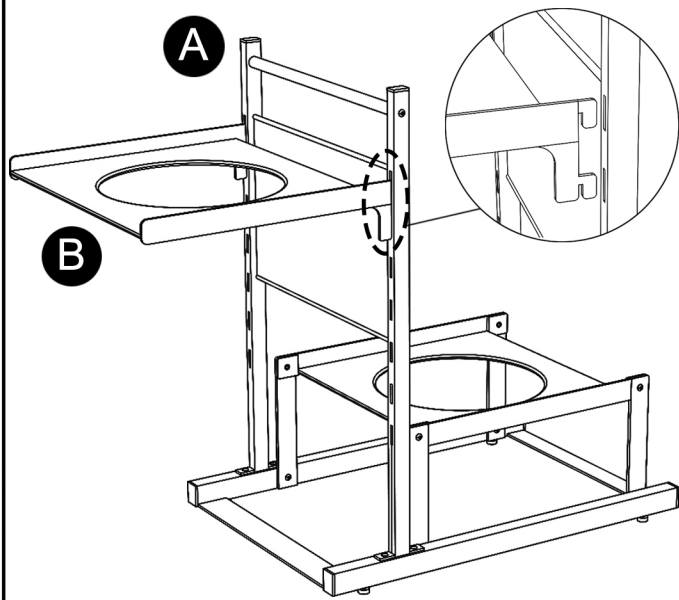
Step 2

Using **I**, tighten **H** at the bottom of the four iron pieces in **D**.



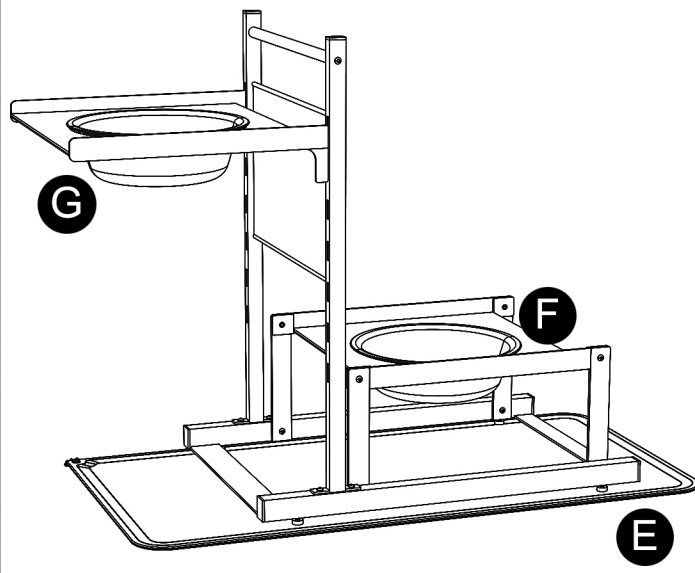
Step 3

Place **B** at the interface of **A**.





Step 4

Place **G** and **F** in the corresponding positions and place the dog bowls holder on **E**.



Thank You for Choosing Our Product

 Thank you for your support! We value your feedback and suggestions to continuously improve product quality and service.

 If you encounter product damage or other issues, please contact our customer service team immediately, and we will provide you with a satisfactory solution within 24 hours.

 Contact email is as follows:

E-mail: ATSKIM_Service@outlook.com

