

ASSEMBLY INSTRUCTION

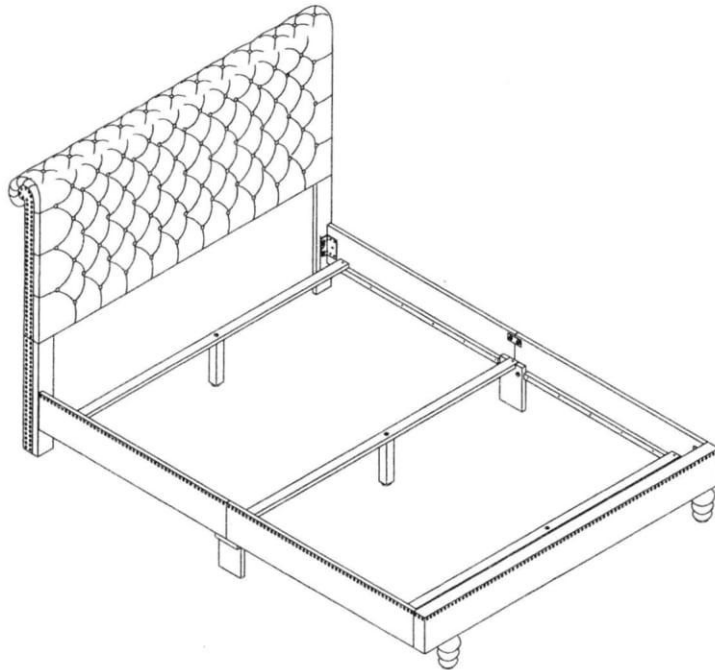
QUEEN BED

IMPORTANT SAFETY NOTICE READ CAREFULLY BEFORE BEGINNING ASSEMBLY!

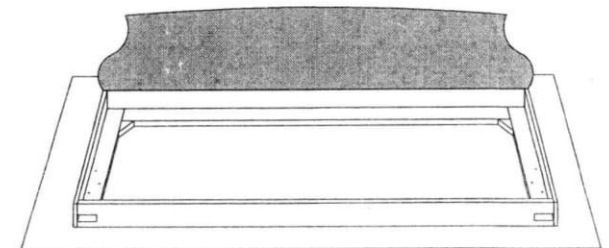
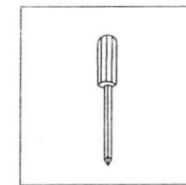
- * Before you begin, please read the Assembly Instruction carefully, identify all the parts, and hardware included. Do Not skip any steps and follow the assembly steps in order.
- * Place parts on the carton while installing to prevent damage or scratches. Be sure to check all packing materials carefully for small parts may have come loose inside the carton during shipment. If parts are missing, contact the retailer from which your purchased the product to obtain any missing part. **DO NOT USE SUBTITUTE PART.**
- * Some steps may require two or more people, do not attempt by yourself as there is a risk injury.

NOTE: WE DISCLAIM ANY LIABILITY FOR DAMAGES OR INJURIES WHICH MAY OCCUR DUE TO FAILURE TO PROPERLY FOLLOW ASSEMBLY INSTRUCTION, FAILURE TO PROPER ASSEMBLY OR FAILURE TO PROPERLY USE OF THE PRODUCT.

NOTE: YOUR UNIT MAY LOOK DIFFERENT IN APPEARANCE FROM THE ONE SHOWN IN THE ILLUSTRATIONS ON THIS INSTRUCTION SHEET.



Required Tools : Screwdriver

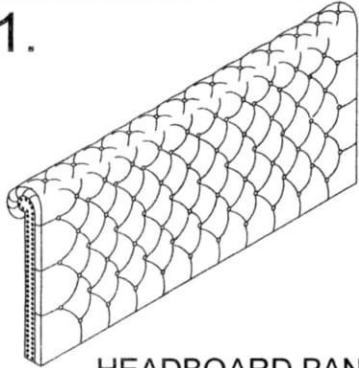
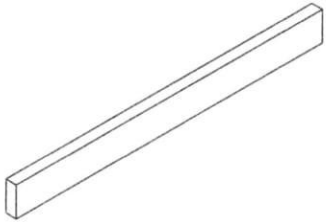
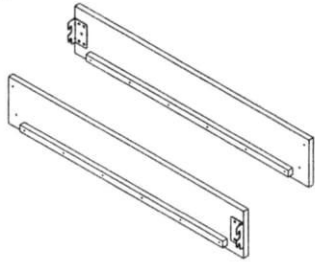
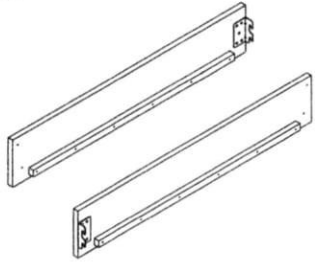



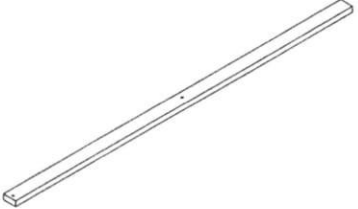
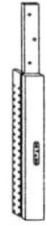






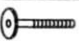




Please place on the carton while installing to prevent damage or scratches.

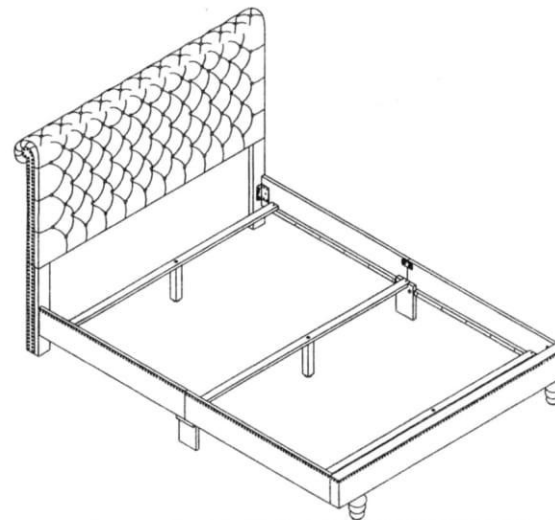
ASSEMBLY INSTRUCTION

QUEEN BED

ASSEMBLY PART

<p>1.</p>  <p>HEADBOARD PANEL</p>	<p>2.</p>  <p>FOOTBOARD PANEL</p>	<p>3.</p>  <p>SIDE RAIL RIGHT (2PCS)</p>	<p>4.</p>  <p>SIDE RAIL LEFT (2PCS)</p>	<p>5.</p>  <p>FOOTBOARD LEG (2PCS)</p>
<p>6.</p>  <p>SIDE RAIL LEG (2PCS)</p>	<p>7.</p>  <p>SUPPORT LEG (3PCS)</p>	<p>8.</p>  <p>SLATS (3PCS)</p>	<p>9.</p>  <p>HEADBOARD LEFT LEG</p>	<p>10.</p>  <p>HEADBOARD RIGHT LEG</p>

NO	HARDWARE DESCRIPTION	QTY
A.	Allen Key 	1PC
B.	Chipboard Screw M4 x 32mm 	6PCS
C.	JCBC Bolt M6 x 20mm 	4PCS
D.	JCBC Bolt M6 x 40mm 	13PCS
E.	Spring Washer 	17PCS
F.	Flat Washer 	17PCS
G.	Side Rail Connect 	2PCS
H.	Adjuster Screw 	3PCS
SCREW DRIVER NOT PROVIDE !!!		

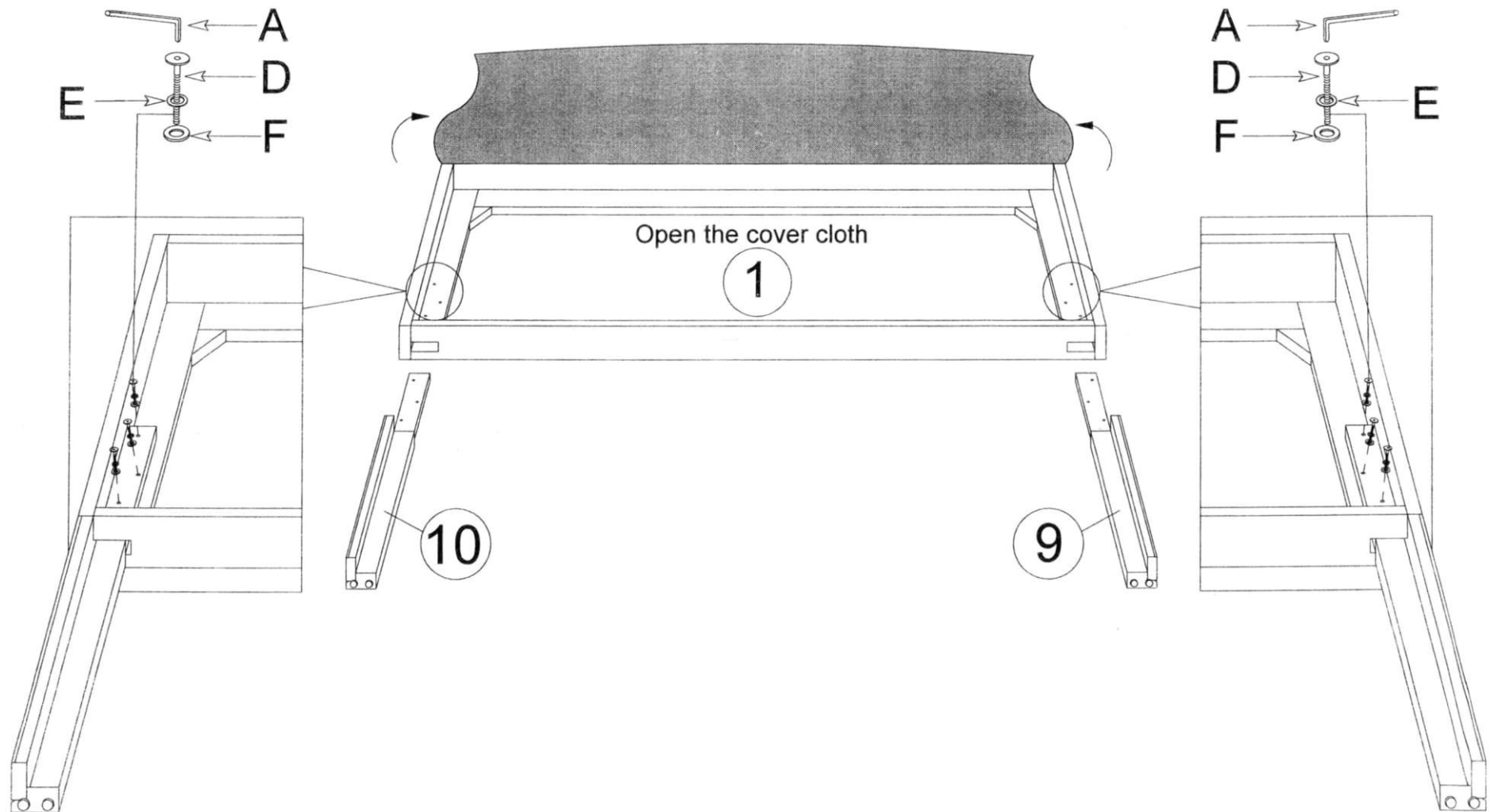


ASSEMBLY INSTRUCTION

QUEEN BED

STEP 1.

Open the cover cloth located behind the Headboard (1) and attach the Right Leg (10) & Left Leg (9) use JCBC Bolt (D), Spring Wahser (E) & Flat Washer (F) & Allen Key (A) to fix.

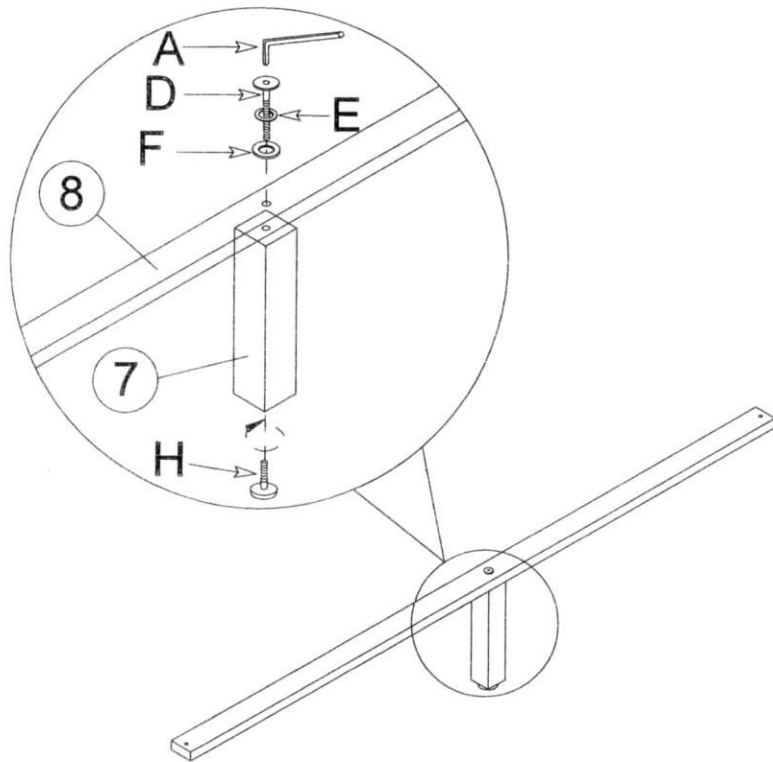


ASSEMBLY INSTRUCTION

QUEEN BED

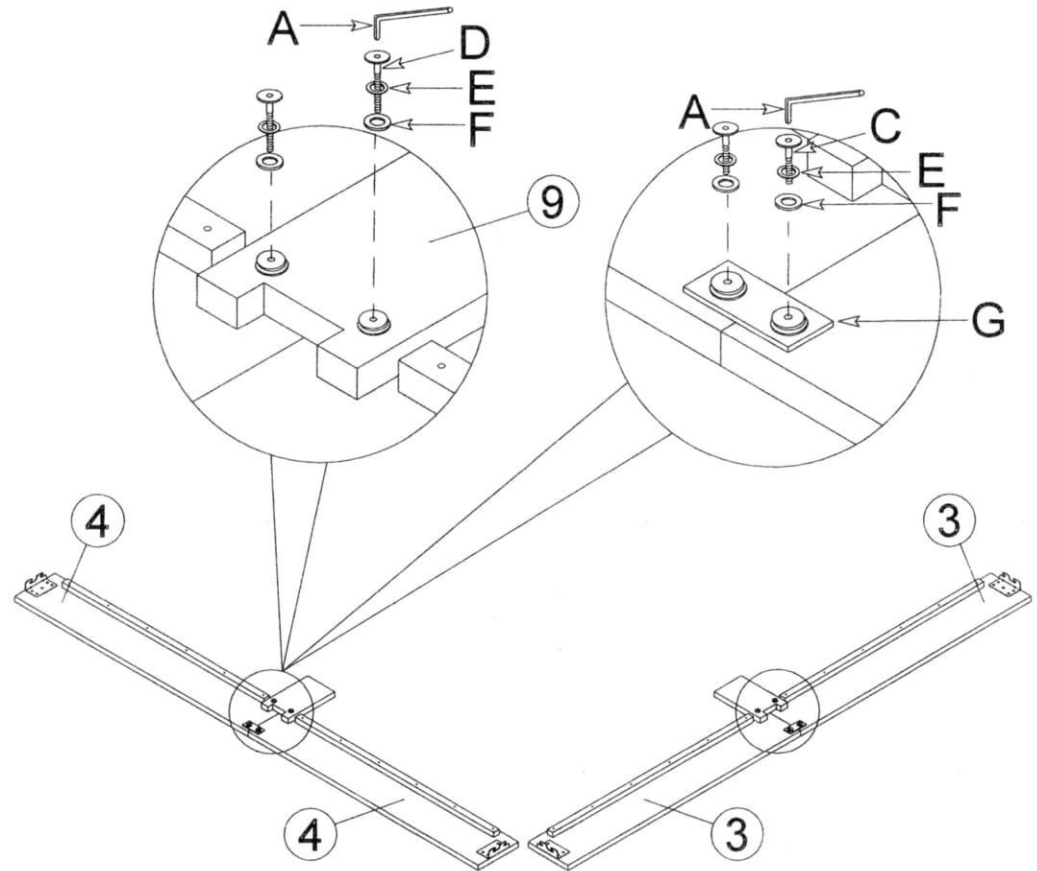
STEP 2.

Attach the Slats (8) to Support Leg (7). Use Adjuster Screw, JCBC Bolt (D), Spring Washer (E), Flat Washer (F) & Allen Key (A) to fix.



STEP 3.

Attach and tighten the Side Rail Right (3) (2pcs) & Side Rail Left (4) (2pcs) to Side Rail Leg (9) (2pcs.) Use JCBC Bolt (D), Spring Washer (E), Side Rail Connect (G), Flat Washer (G) & Allen Key (A) to fix.

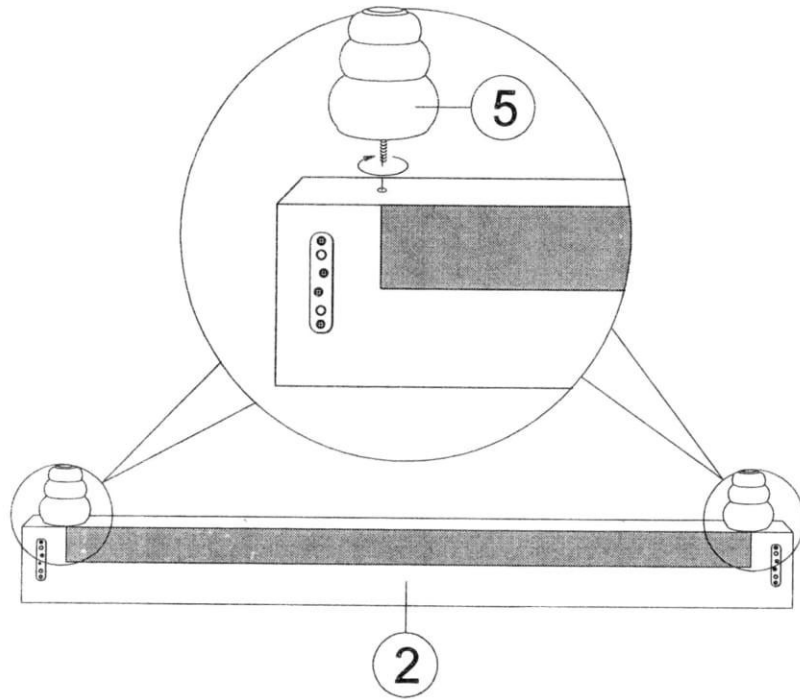


ASSEMBLY INSTRUCTION

QUEEN BED

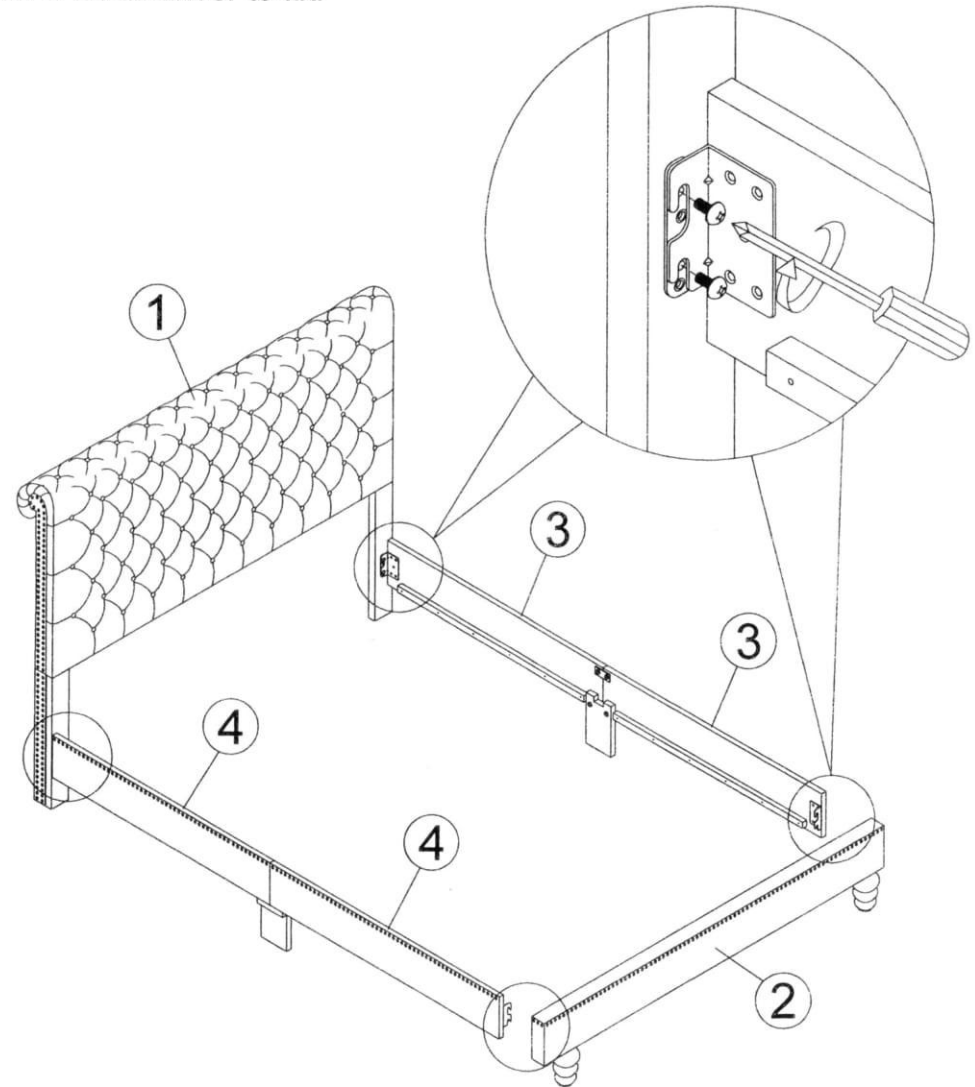
STEP 4.

Attached the Footboard Leg (5)(2pcs) to Footboard Panel (2).



STEP 5.

Attach the all Side Rail to bracket of Headboard Panel (1) & Footboard Panel (2). Use screw & screwdriver to fix.



ASSEMBLY INSTRUCTION

QUEEN BED

STEP 7.

Attach and tighten the Slats (8) to Side Rail. Adjusting the leg adjuster to the floor. Use screw M4 x 32mm (B) & screwdriver to fix.

