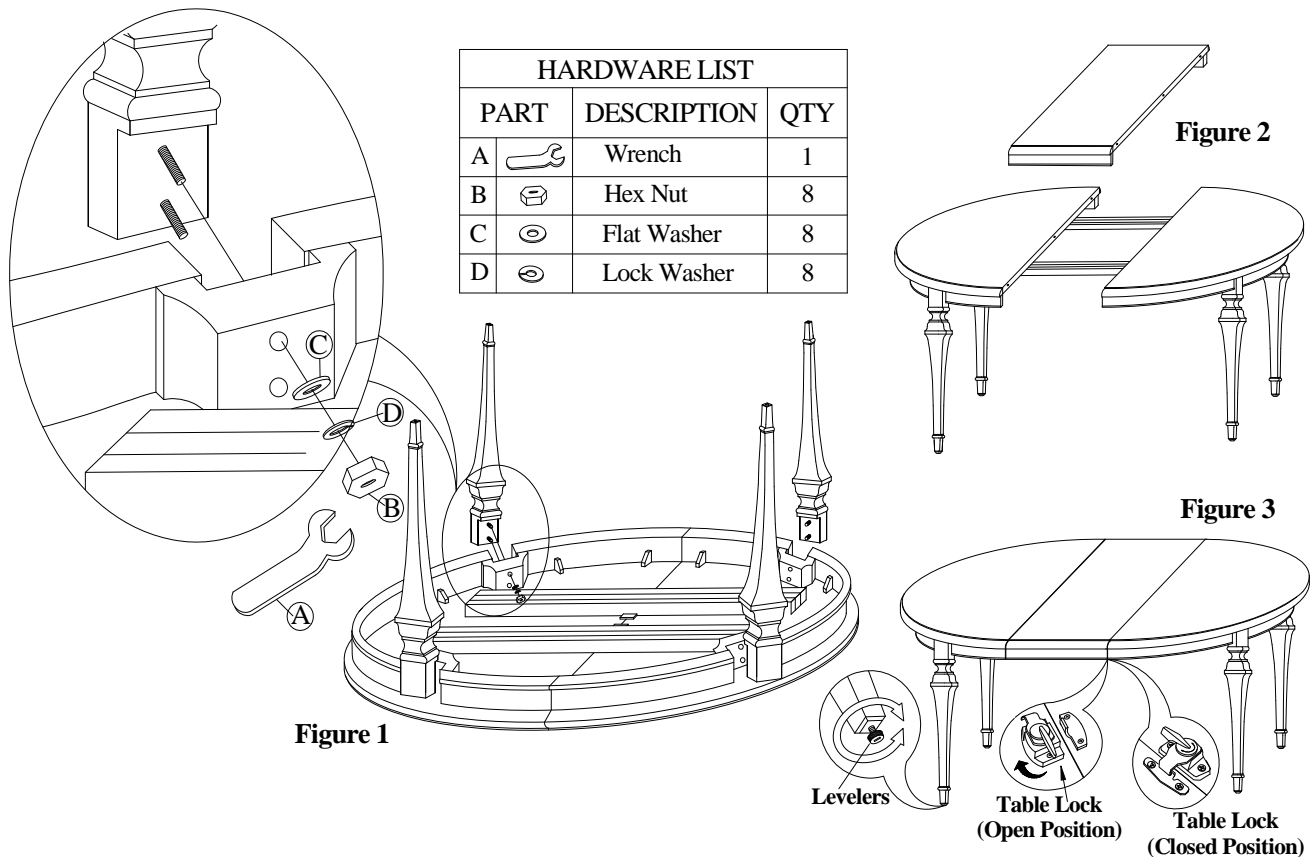


ARTISTICA®

— HOME —

ASSEMBLY INSTRUCTIONS

2000-870 Aperitif Round/Oval Dining Table



To Assemble Table:

1. Place Table Top upside-down on flat, clean, non-marring surface.
2. Insert bolted end of (1) Leg through holes in corner block of Table Top. Use wrench (A) to attach Leg to Top with (2) of each: Flat Washer (C), Lock Washer (D), and Hex Nut (B). Fully tighten both Hex Nuts. Repeat this step for other (3) Legs. (Figure 1)
3. Return assembled table to its upright position and place in desired location.

To Attach Leaf:

1. Open table locks on underside of table, located between half-tops on each side. (Figure 3)
2. Pull on one end of table to separate half-tops. Open table enough to insert leaf. (Figure 2)
3. Place table leaf between half-tops so that pins on leaves align with holes on half-tops.
4. Push table on each end until fully closed.
5. Close table locks on underside of table between each leaf and half-top. (Figure 3)

To Level Table:

There is an Adjustable Leveler on the bottom of each leg. Rotate leveler clockwise to raise and counter-clockwise to lower. (Figure 3)

For additional consumer assistance, please contact your local Artistica Home dealer or our Customer Services Department at 1-336-474-5300, Monday-Friday, 8-5 Eastern.