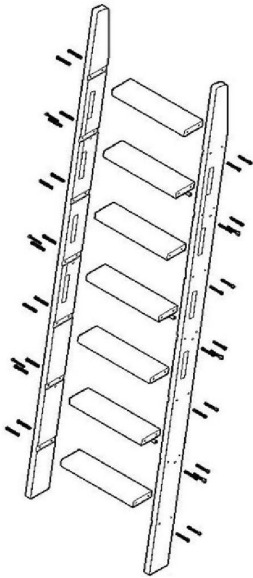


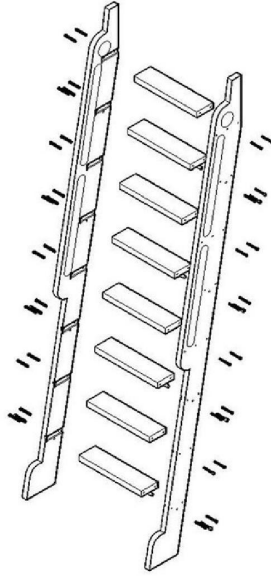
Step Ladder Installation

Installation Instructions for step ladder

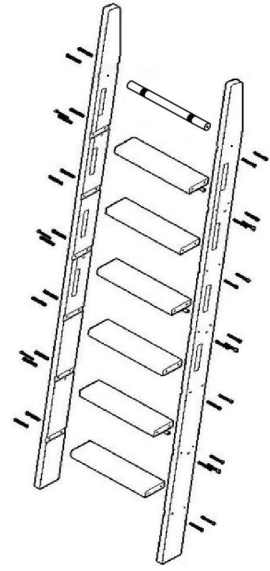
WLS-01 Ladder



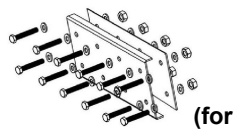
WLS-02 Ladder



WLS-03 Ladder



Tension rod



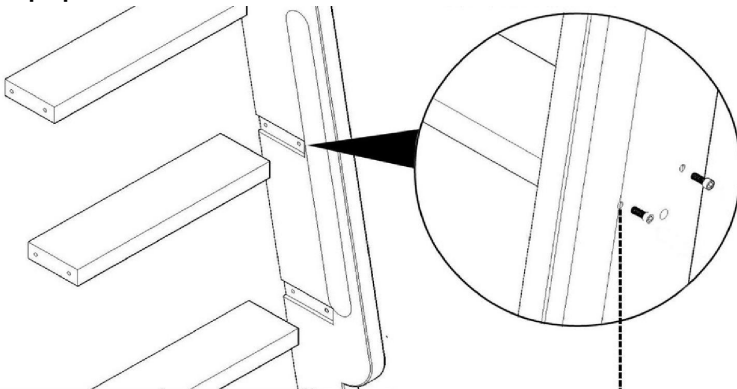
Plank connector
(for 108"/120" ladder)

Set includes:

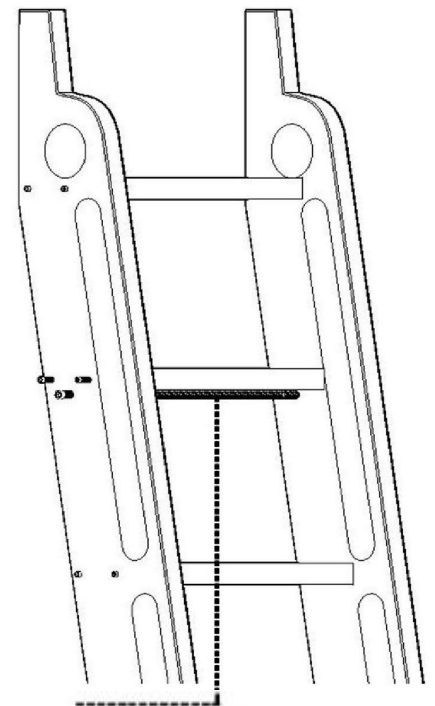
Long plank (Left/Right) X1pcs
Steps X1 set
Screws X1 set

*Tension rod with nuts X1 set
*Plank connector X2pcs (for 108"/120" ladder)

Long plank pre-cut grooves to insert steps
Steps pre-fixed nuts



Insert the steps into the groove ,
Look through the hole to see if you can see the nuts inside of the step,
Adjust the step's location,
Then fix 2 parts together by screws



Tighten the tension rod by screws
to prevent the ladder from shaking



Insert the steps into the groove and
connect together with plank connector

