

Folding Single Monitor Desk Stand

SKU: STAND-FD1
Instruction Manual

Assembly Video & Product Info
<https://vivo-us.com/products/stand-fd1>



! CAUTION! !

If you do not understand these directions, or if you have any doubts about the safety of the installation, please contact our product support team at 309-278-5303 or help@vivo-us.com for further assistance. Check carefully to make sure there are no missing or defective parts. Improper installation may cause damage or serious injury. Do not use this product for any purpose that is not explicitly specified in this manual. Do not exceed weight capacity. We cannot be liable for damage or injury caused by improper mounting, incorrect assembly or inappropriate use.



WARNING: CHOKING HAZARD

SMALL PARTS - NOT FOR CHILDREN UNDER 3 YEARS. ADULT SUPERVISION IS REQUIRED.



DO NOT EXCEED WEIGHT CAPACITY

FAILURE TO DO SO MAY RESULT IN SERIOUS INJURY.



WARNING: PINCH POINT

DO NOT PLACE HANDS ON OR NEAR SUPPORT BARS. MOVING PARTS CAN CRUSH AND CUT. PINCH POINTS ARE CREATED DURING LIFTING AND LOWERING THE WORK SURFACE. FAILURE TO FOLLOW THESE INSTRUCTIONS MAY RESULT IN SERIOUS PERSONAL INJURY.

We're Here for You

Open **Monday - Friday 7:00am - 7:00pm CST**, our dedicated support team can offer immediate assistance with rapid response times. If any parts are received damaged or defective, please contact us. We are happy to replace parts to ensure you have a fully functioning product.



Give us a Call:
309-278-5303

AVG. RESOLUTION TIME (*within office hrs*): **5M 4S**



Chat Us:
www.vivo-us.com

AVG. RESOLUTION TIME (*within office hrs*): **< 15 M**

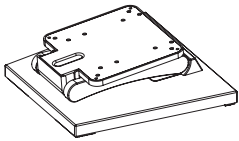


Email Us:
help@vivo-us.com

AVG. RESPONSE TIME (*within office hrs*): **1HR 8M**

- 23% within < 15m
- 38% within < 30m
- 61% within < 1hr
- 83% within < 2hr
- 92% within < 3hr

Package Contents

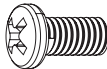


A (x1)
Stand

Included Hardware & Tools



S-A (x4)
M3x7mm Screw



S-B (x4)
M4x10mm Screw

Tools Needed:



**Phillips
Screwdriver**

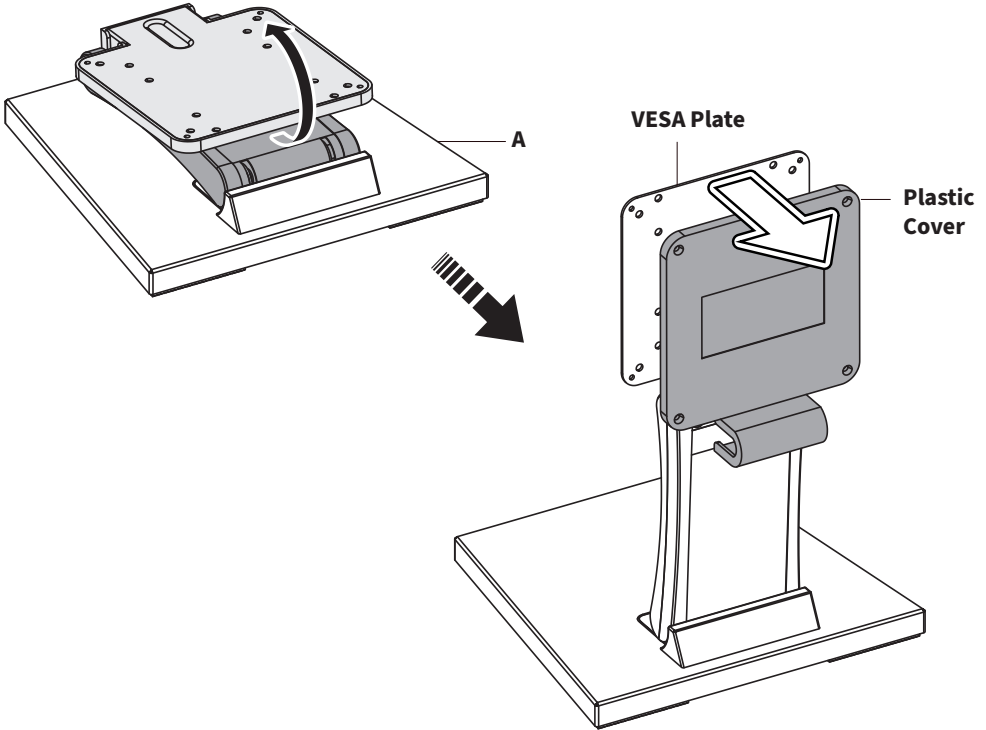
Weight Capacity:



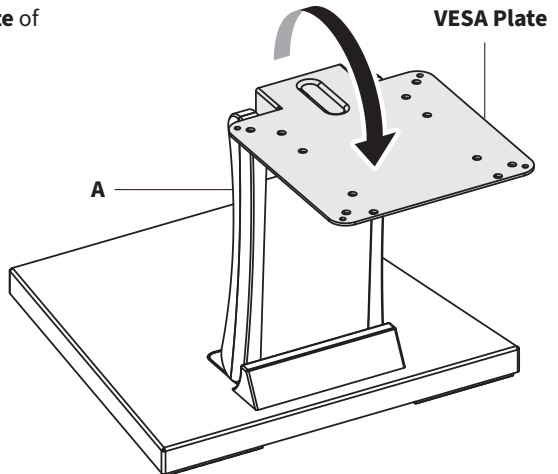
ASSEMBLY STEPS

STEP 1

Fold open the Stand (**A**) vertically as shown. Gently pull and remove the **Plastic Cover** from the **VESA Plate**.



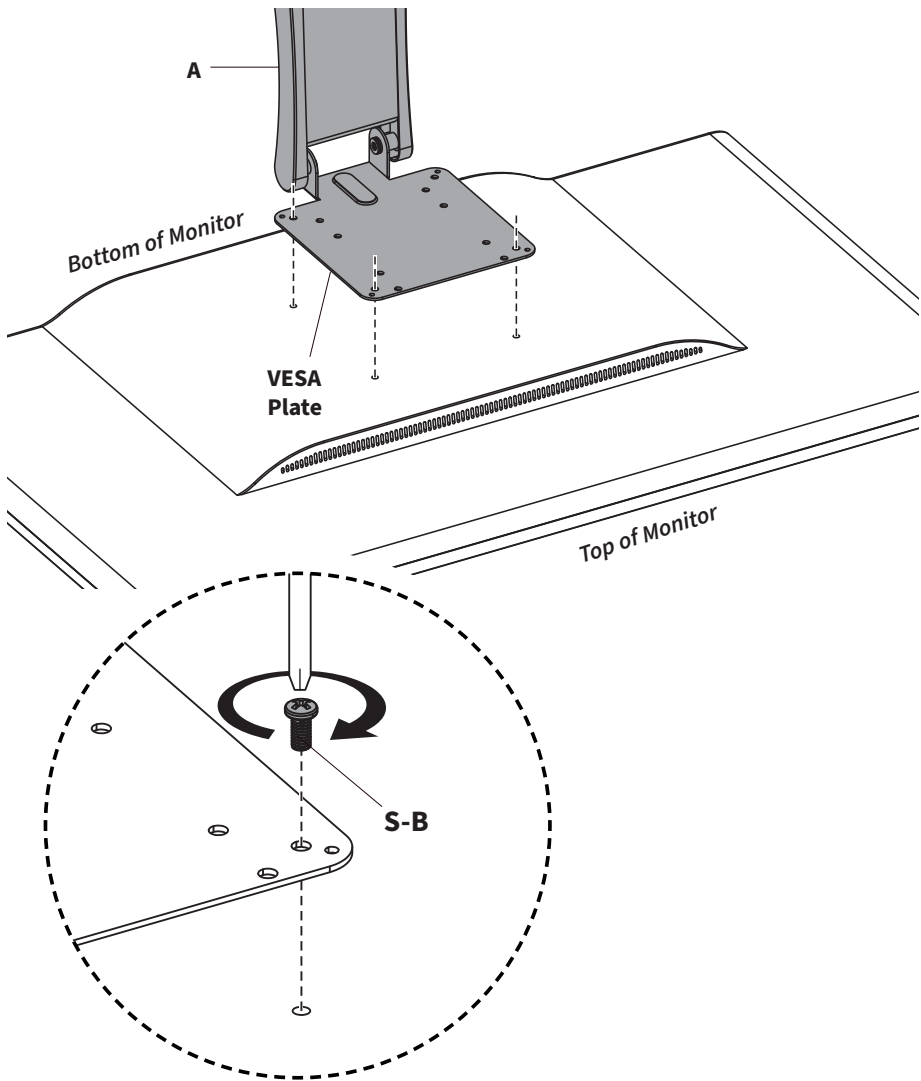
Gently pull and fold the the **VESA Plate** of Stand (**A**) down 90 degrees, as shown.



STEP 2

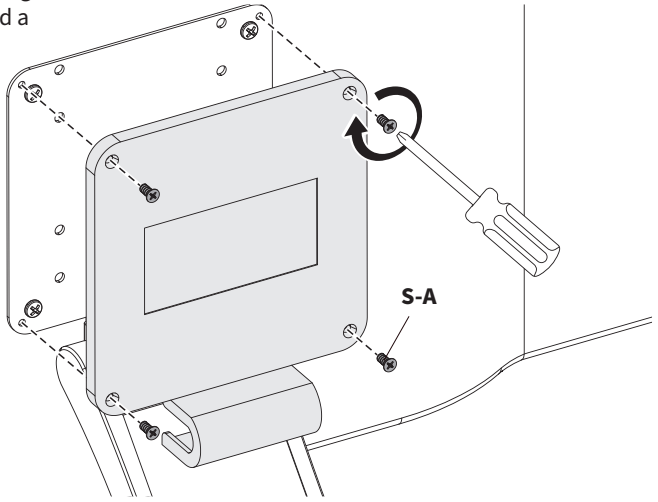
Flip Stand **(A)** over and place the face of the **VESA Plate** flat onto the back of display and secure using the M4x10mm Screws **(S-B)** and a Phillips screwdriver.

Note: Ensure the back edge of the Stand's base is oriented over or in line with the bottom of the monitor.



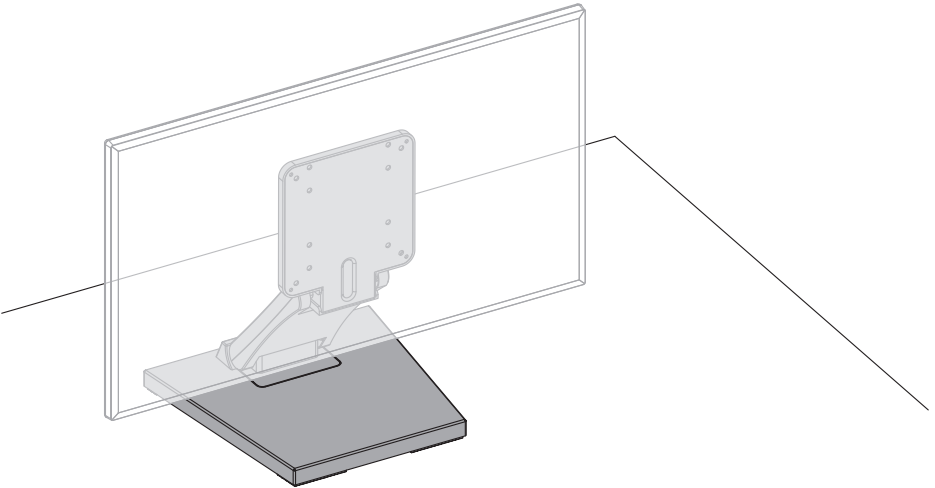
STEP 3

Reinstall the **Plastic Cover** onto the back of the **VESA Plate** using the M3x7mm Screws (**S-A**) and a Phillips screwdriver.



STEP 4

Flip the assembled Stand over onto the base. It is now ready for freestanding use on a tabletop or desk.



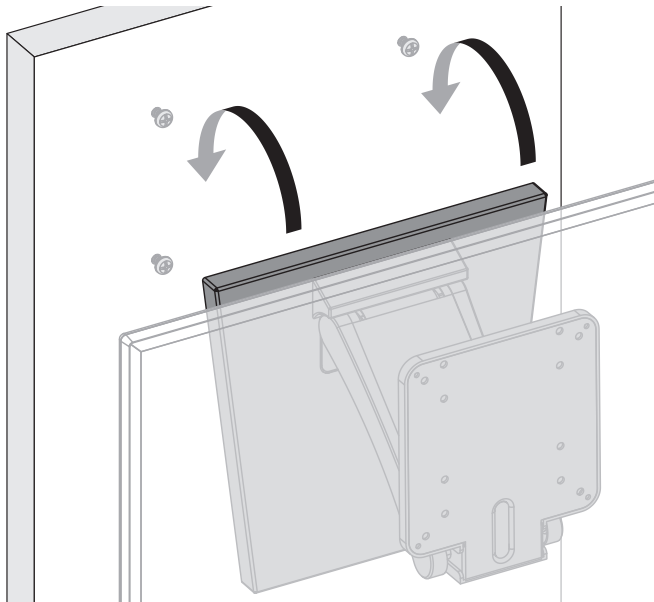
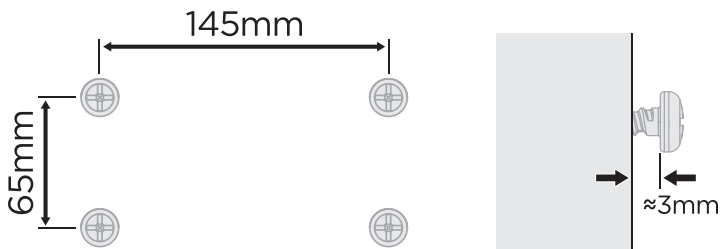
Optional: Wall Mounting Instructions

If desired, the Stand can be wall mounted to provide flexible viewing. Wall mounting keyholes have been provided on the bottom of the Stand for ease of installation.

How to Wall Mount

Use appropriate hardware (*not included*) in a grid measuring 5.71 inches (145mm) long and 2.56 inches (65mm) tall, leaving a gap of 0.12 inches (3mm) between the screw head and the wall.

Hang the Stand over the screwheads and mount it securely.





Need Help? Get In Touch

Monday-Friday from 7:00am-7:00pm CST



help@vivo-us.com



www.vivo-us.com

Chat live with an agent!



309-278-5303



VIVO-us @vivo_us