

FRAMELESS MIRROR

Required Tools(Not Included)



Electric Drill



Drilling Bit(Ø8mm)



Tape



Pencil



Spirit Level



Screwdriver

Supplied Spare Part



(Anchorsx3)

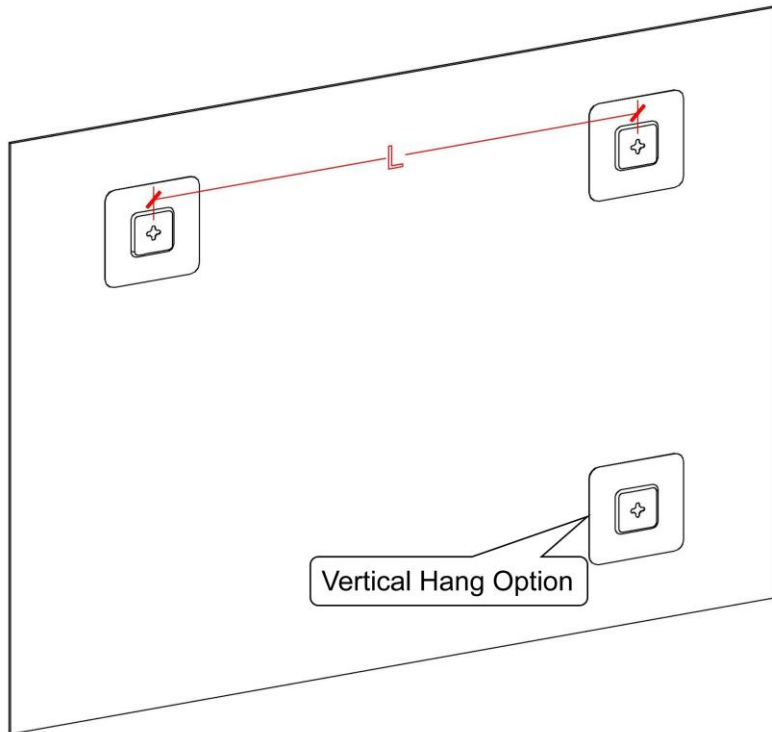


(Screwsx3)

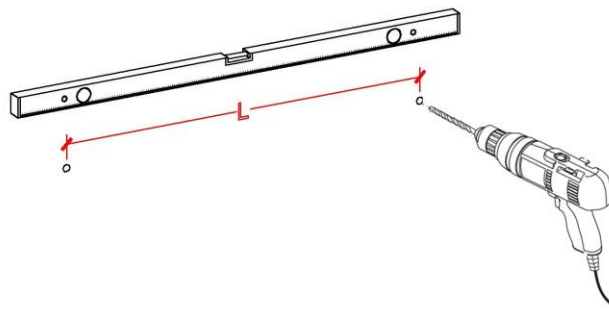
FRAMELESS MIRROR

Installation

1



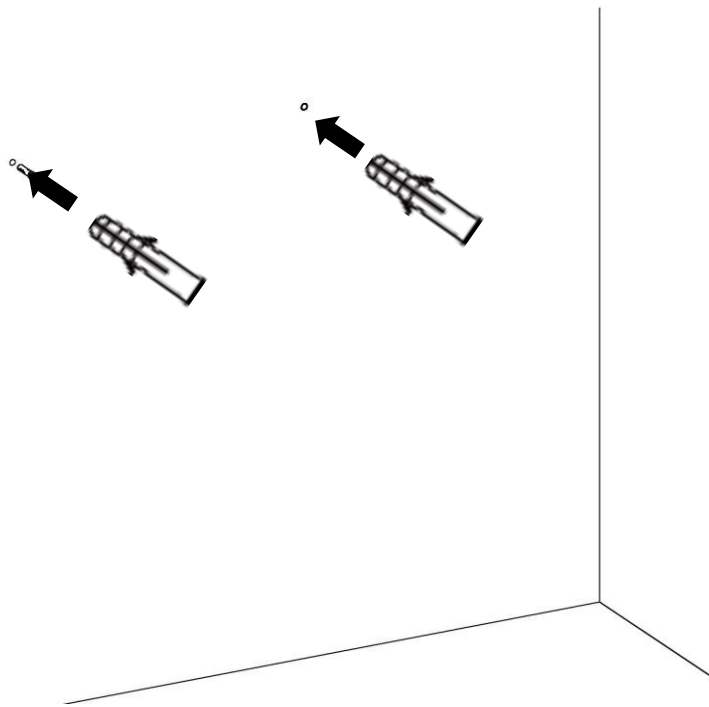
2



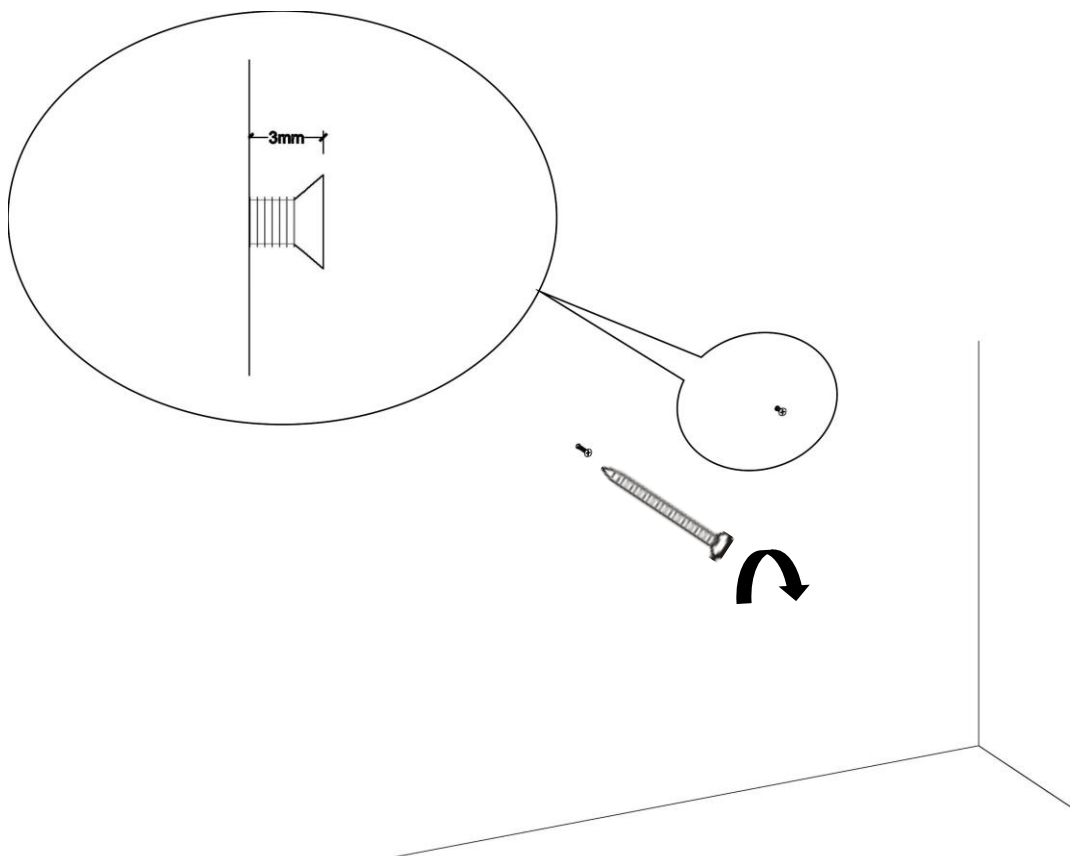
FRAMELESS MIRROR

Installation

3



4



FRAMELESS MIRROR

Installation

5

