



ATTENTION

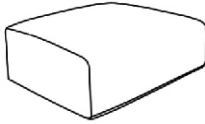
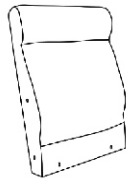
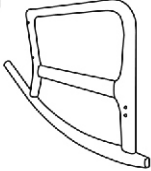






Thanks for choosing our product.

Note: Kindly note that the ottoman is at the bottom of the cushion which can be found by unzipping.




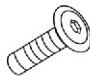


1. Please check the manual carefully and make sure you have received all the parts.
2. If there is any missing, please let us know the letter of the parts you need.
3. Please feel free to send clear photos to us if there is any damage, we will offer you a best solution after check the photos.
4. There will be 1 box in total for this whole product.

Assembly Instruction

Parts List

A  1 pc	B  1 pc	C  1 pc	D  1 pc	
E  1 pc	F  1 pc	G  1 pc	H  2 pc	I  2 pc

Hardware List

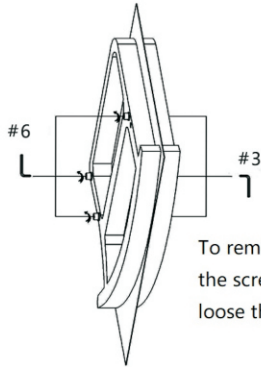
#1  2 pcs	#2  M8*60mm 10 pcs	#3  M5mm 1 pc	#4  M6*30mm 6 pcs	#5  4 pcs	#6  M4mm 1 pcs
--	--	---	---	--	--

Please check the manual carefully and make sure you have received all the parts. If there is any missing, please let us know the letters of the parts you need. If there is any damage, please send clear photos to us, we will offer you the best solution soon!

Assembly Instruction

Step 1

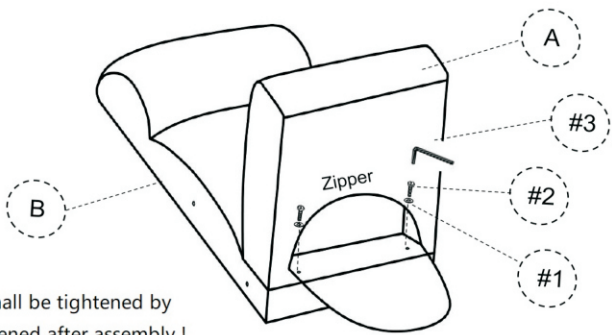
- #6 x 1
- #3 x 1



To remove the armrest from the board: fix the screws with wrench on one side while loose the screws on the other side.

Step 2

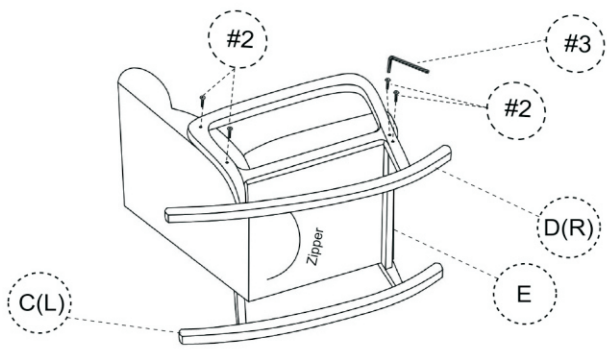
- A x 1
- B x 1
- #1 x 2
- #2 x 2
- #3 x 1



WARNING: All screws shall be tightened by 80% first and then tightened after assembly !

Step 3

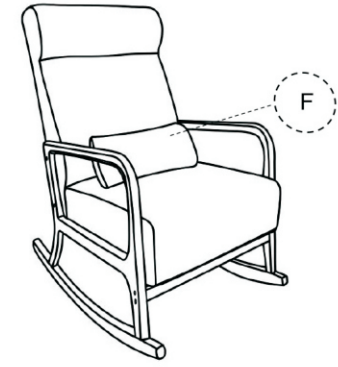
- C x 1
- D x 1
- E x 1
- #2 x 8
- #3 x 1



Assembly Instruction

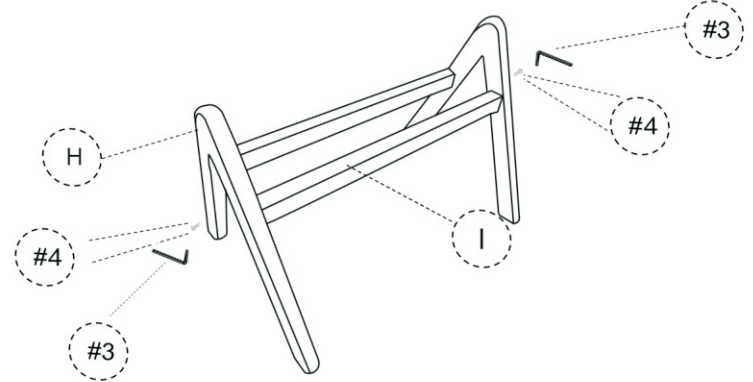
Step 4

- F x 1



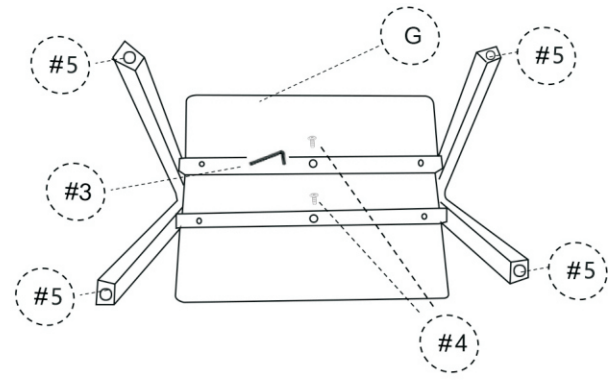
Step 5

- H x 2
- I x 2
- #4 x 4
- #3 x 1



Step 6

- G x 1
- #4 x 2
- #3 x 1
- #5 x 4



Assembly Instruction

Step 7

