

# ASSEMBLY INSTRUCTION

## VH 9600 - FAUX MARLE TABLE

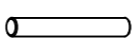


### IMPORTANT SAFETY CONSTRUCTION

Thank you for purchasing this quality product. Be sure to check all packing material carefully for small parts that may have come loose inside the carton during shipment. Please read all instruction carefully before assembling. For your safety, assembly by two people is recommended.

#### PARTS INCLUDED:

- (1) Table Top (C1)
- (2) Leg (C2)
- (1) Iron frame (C3)

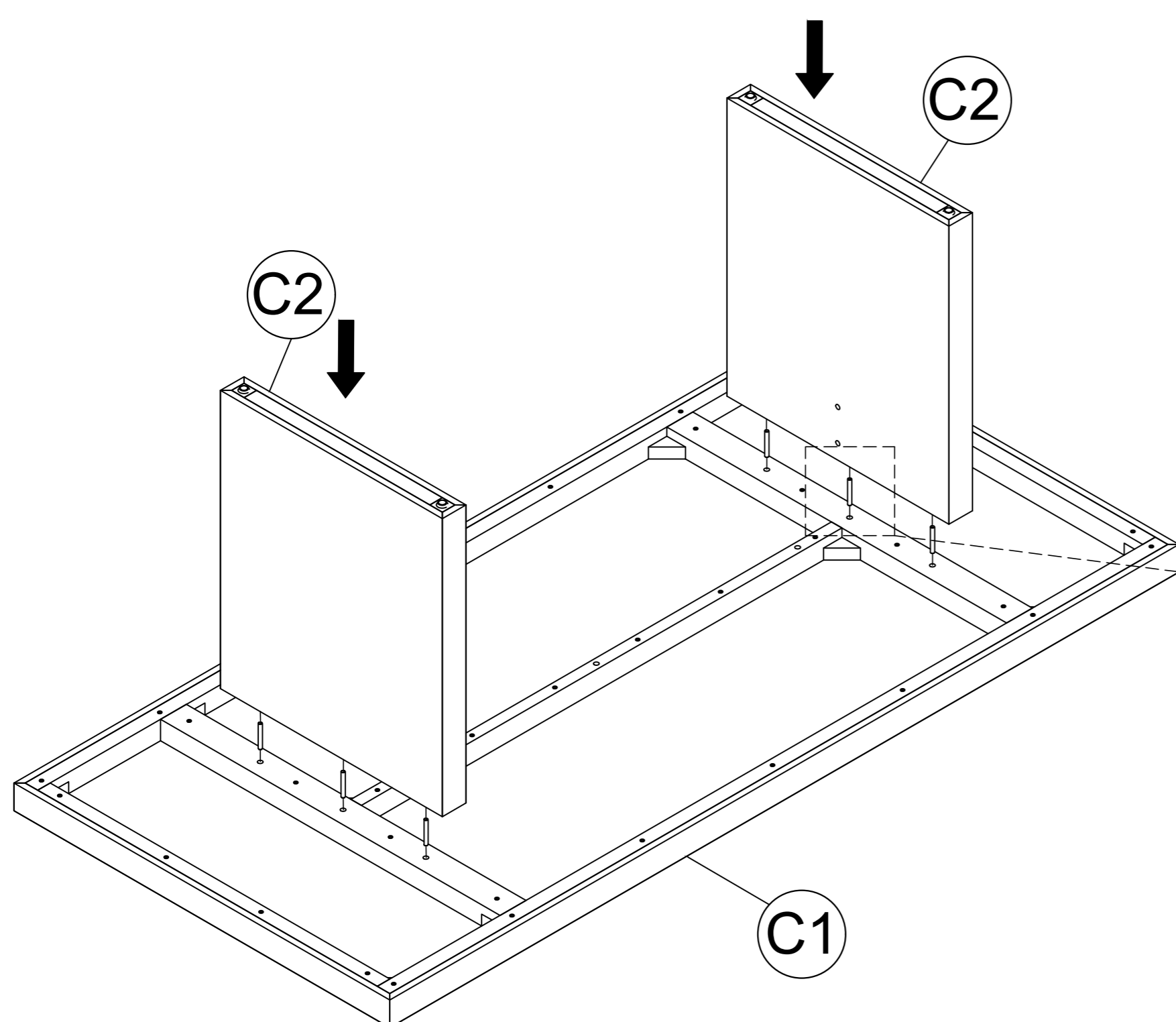
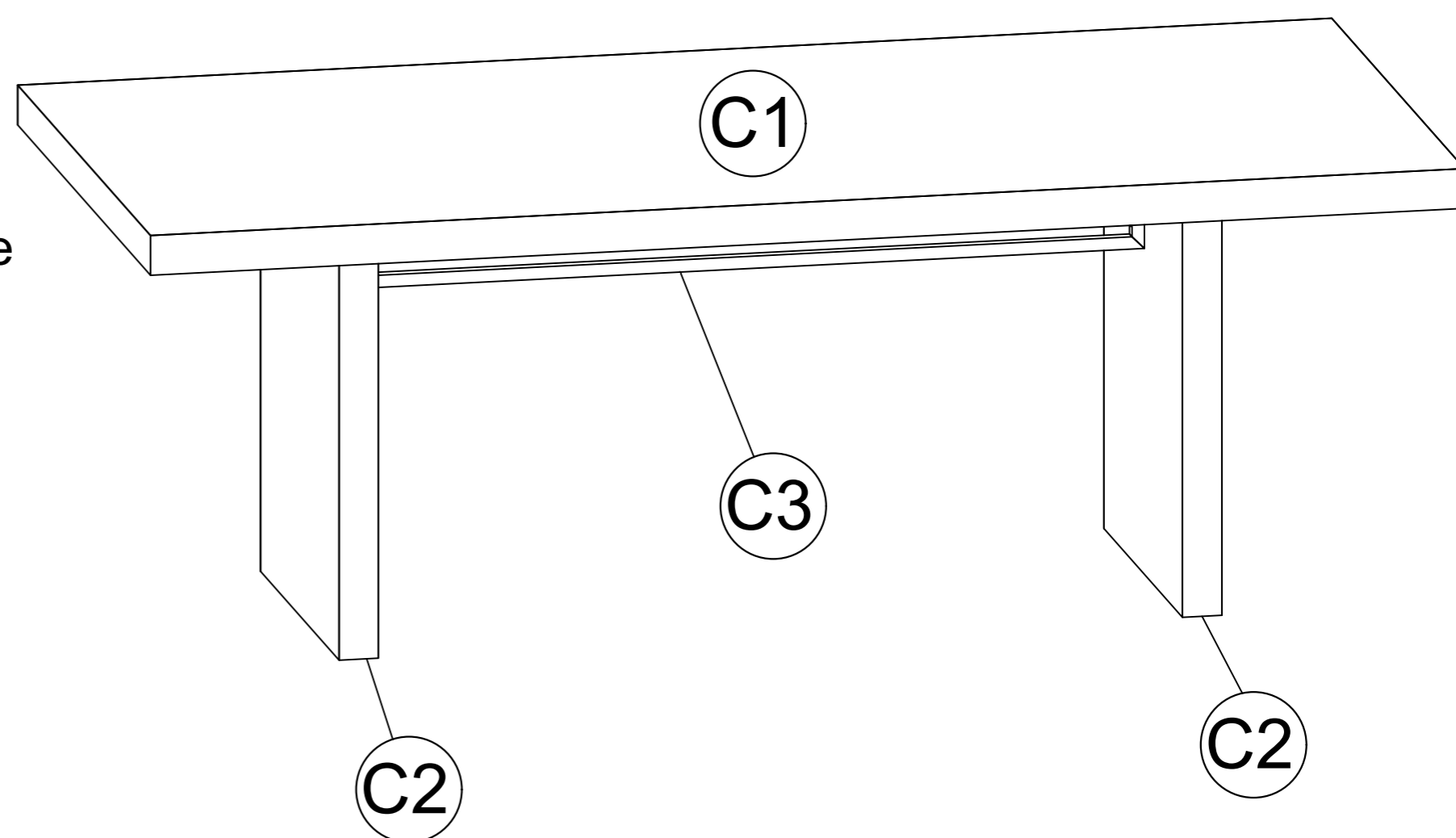
#### HARDWARE ENCLOSED:

- A x 6  Ø7 x 60mm
- B x 7  Ø8 x 40mm
- C x 1  M4

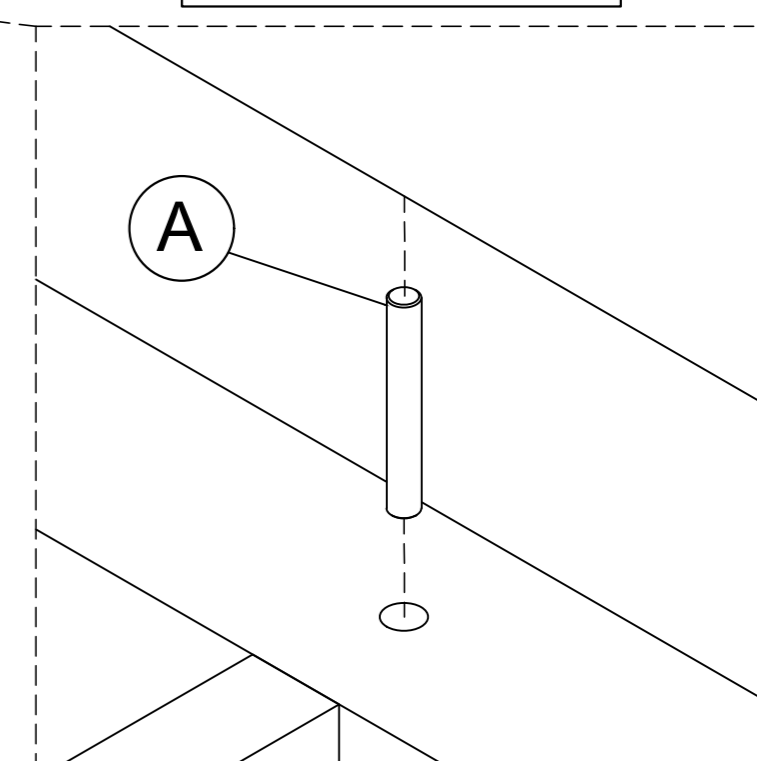
### ASSEMBLY INSTRUCTIONS

#### STEP 1:

- Carefully place the Table Top (C1) on a smooth flat surface to avoid scratches.
- Attach 2 table legs ( C2 ) to the table top ( C1 ) with iron pins (See details A)

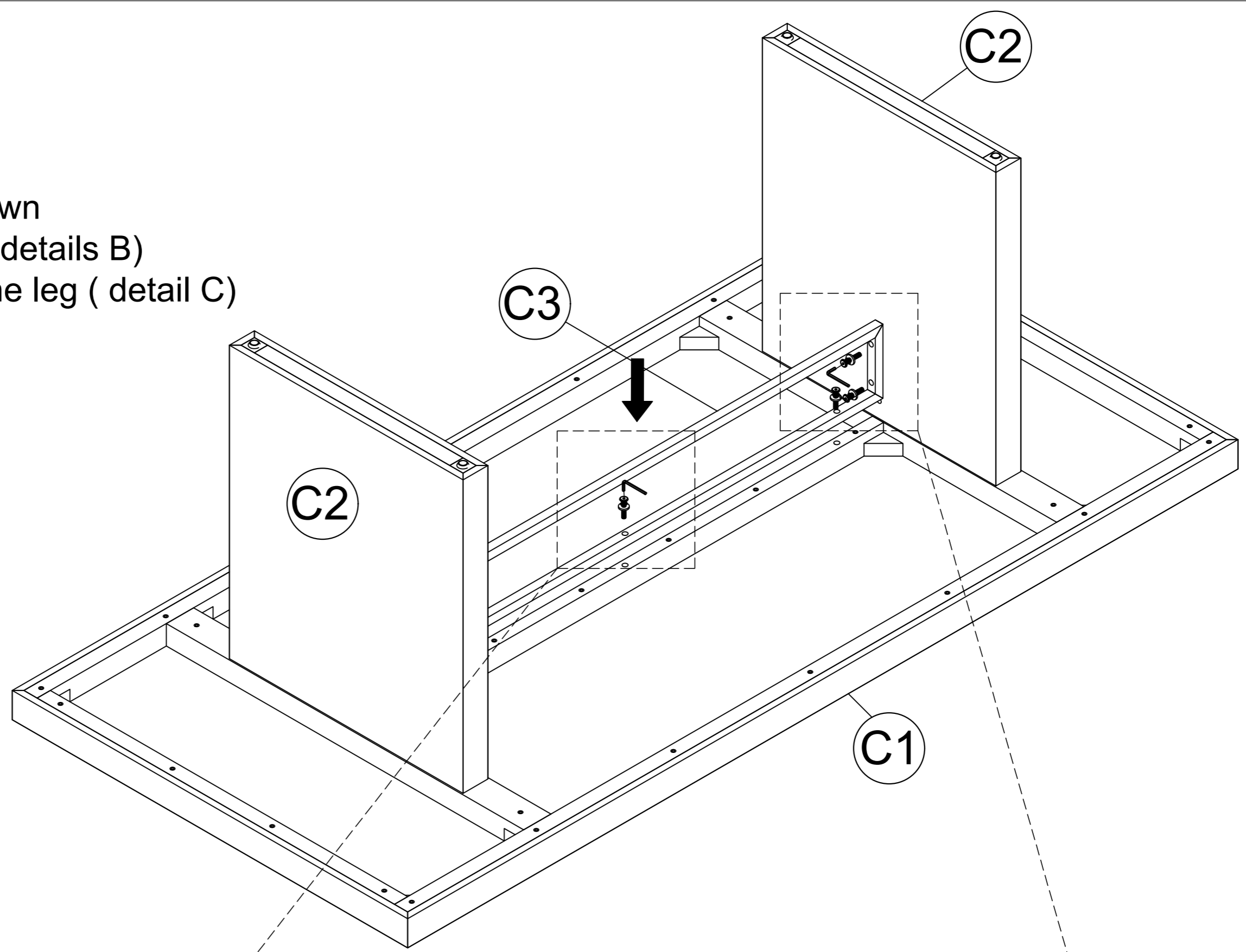


Detail A

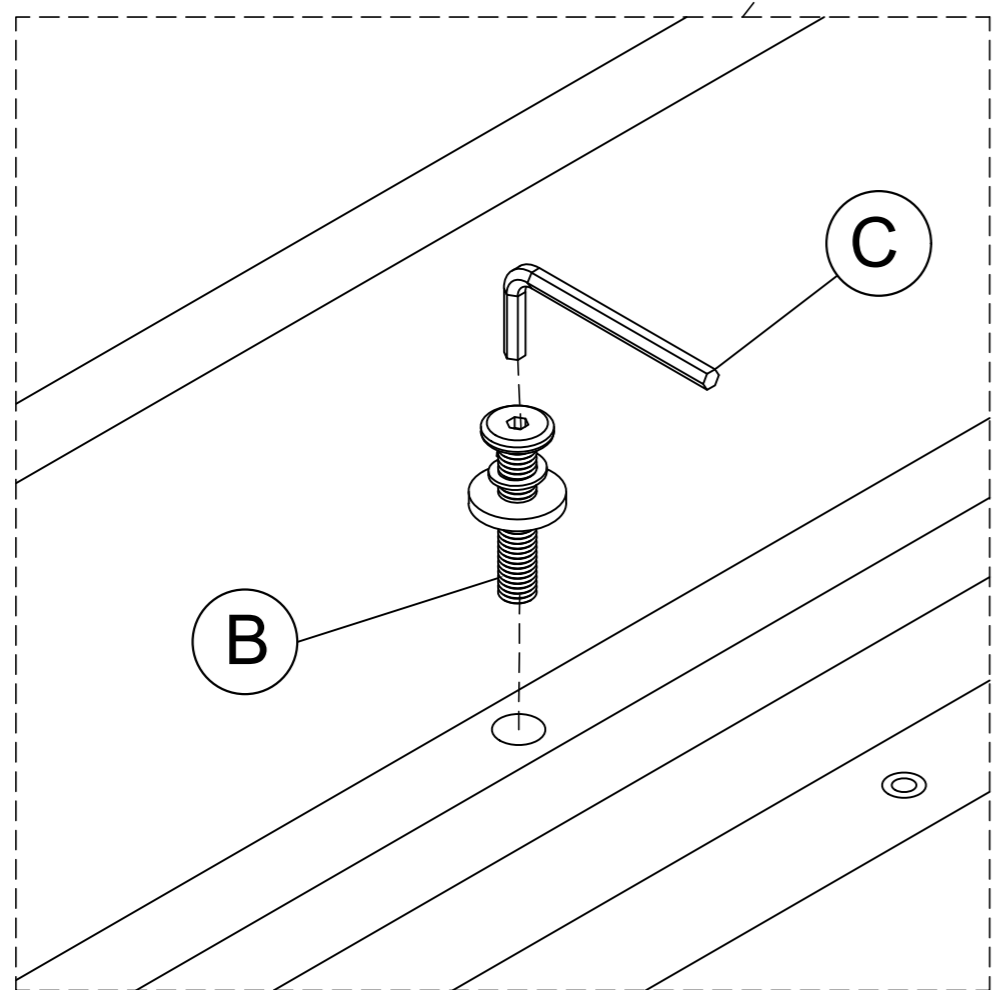


**STEP 2:**

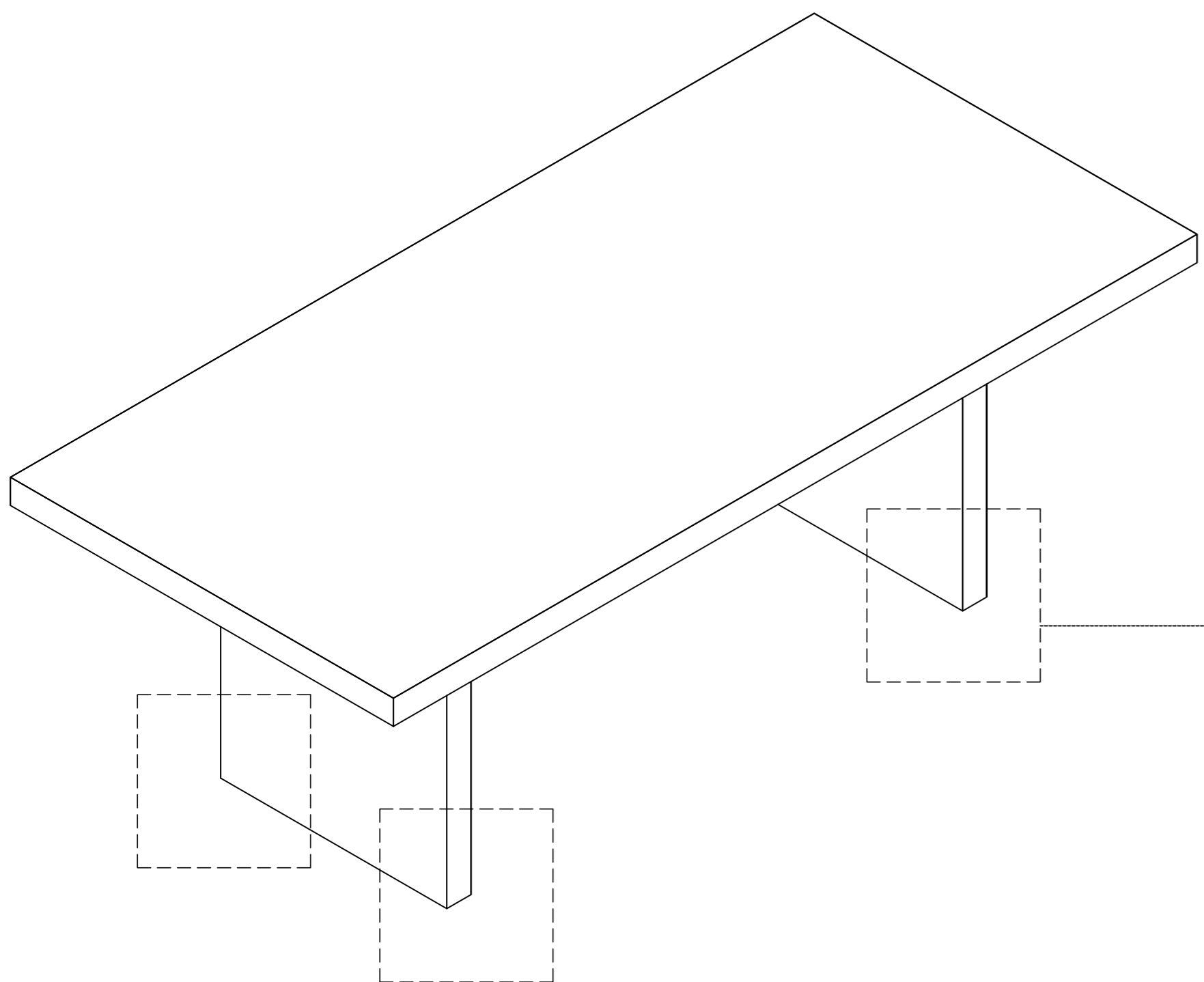
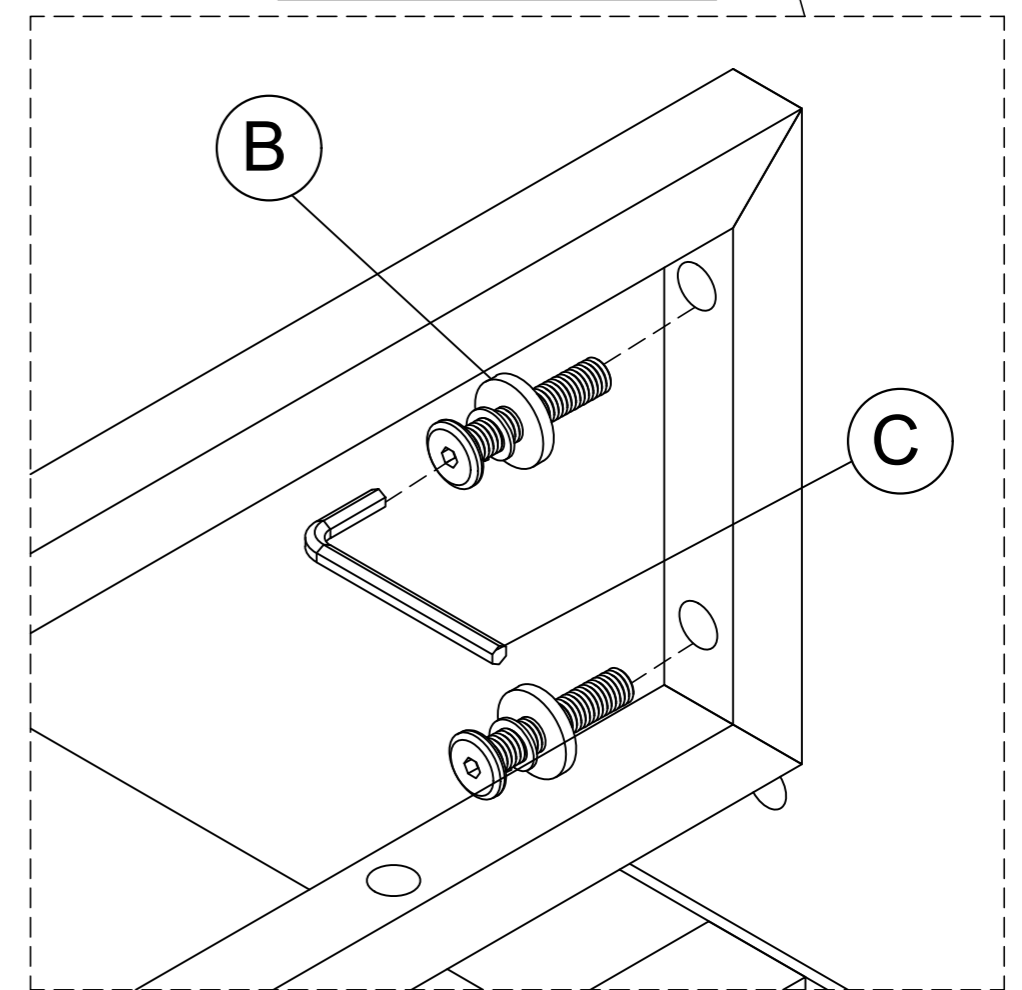
- Attack the iron frame (C3) down
- Use bolts to connect the top (details B) and connect the frame with the leg ( detail C)



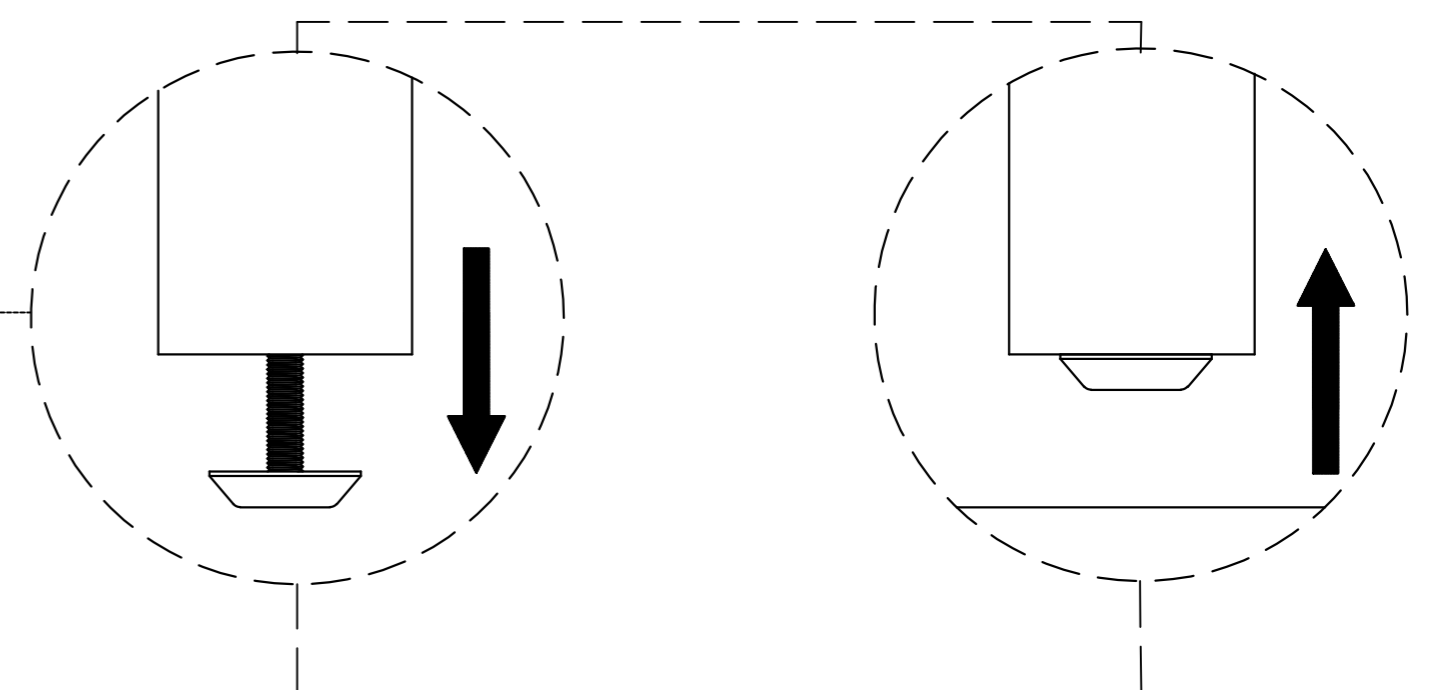
**Detail B**



**Detail C**



**Adjustable Leveler Instructions**



**NOTES:**

The use of power tools for assembly is not recommended. Power tools can damage hardware or split wood.