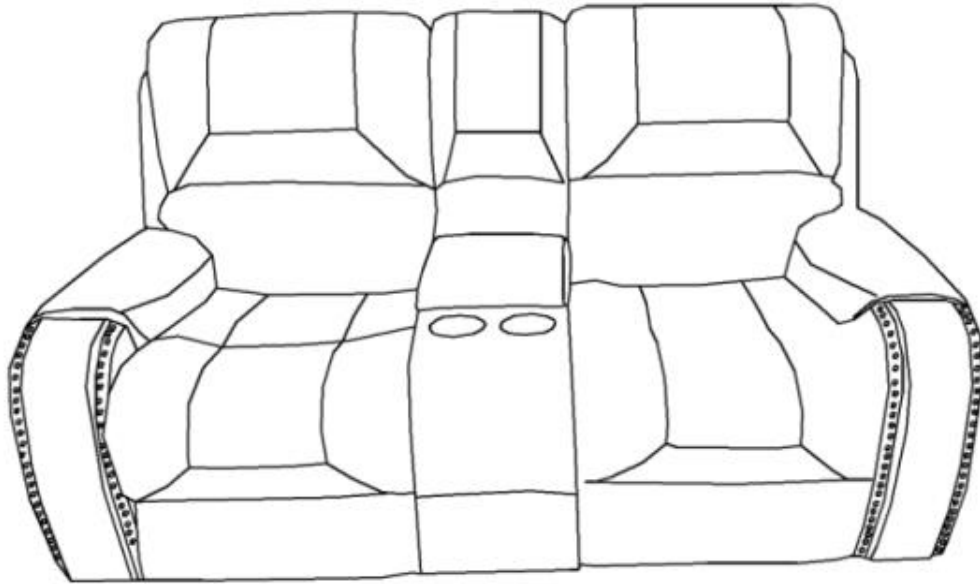


Reclining Console Loveseat

ASSEMBLY INSTRUCTIONS



IMPORTANT SAFETY INSTRUCTIONS:

- Read all instructions carefully before unpacking assembly parts. Sharp, exposed staple tips can cause injury. For your protection, please remove any exposed staples used in packing.
- For your safety, assembly by two or more adults is recommended.
- Use only vendor supplied hardware to assemble. Using unauthorized hardware could jeopardize the structural integrity of the item.
- Keep instructions for future use.
- Intended for residential use only.
- Keep small parts and hardware out of the reach of children.

PRE-ASSEMBLY INSTRUCTIONS:

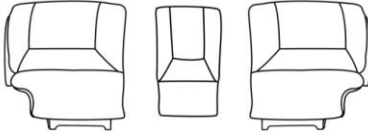
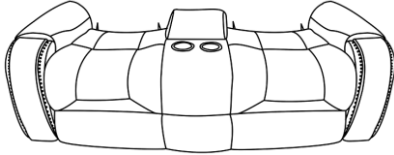
- Remove all parts and hardware from the box and place them on a carpeted or scratch-free work surface.
- To avoid accidentally discarding small parts or hardware, please do not dispose of any contents until assembly is complete.
- Prior to starting assembly, use the parts and hardware lists to identify and separate each of the pieces included.
- Do not over-tighten screws or bolts.

TABLE OF CONTENTS

Parts List	Page 3
Assembly Instructions	Pages 4-5
Care & Maintenance	Pages 6
Warnings	Pages 7

PARTS LIST

PART #	PICTURE	PART DISCRIPTION	QTY
---------------	----------------	-------------------------	------------

A		Back Cushion	3
B		Seat Base	1
C			
D			
E			
F			
G			

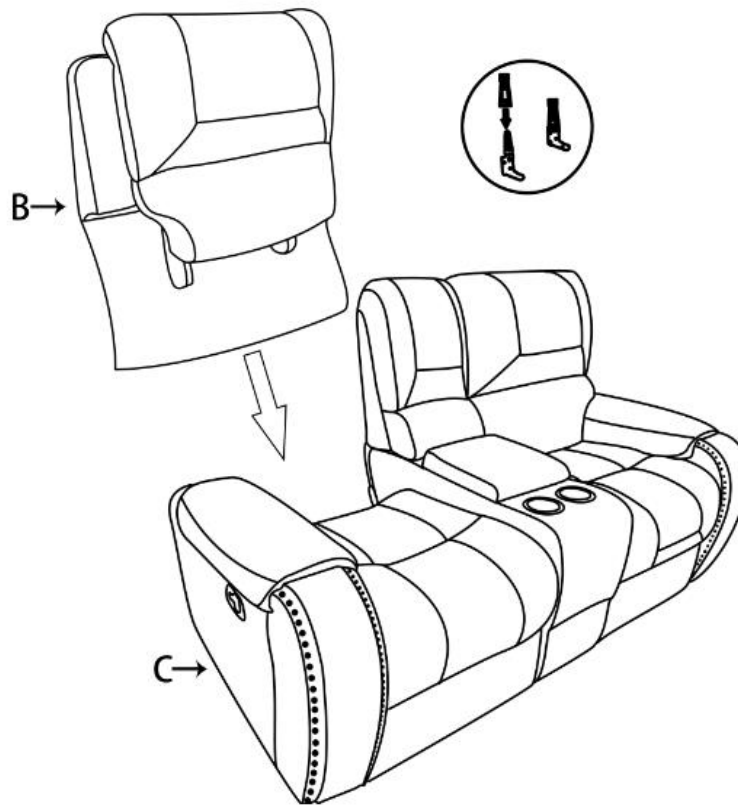
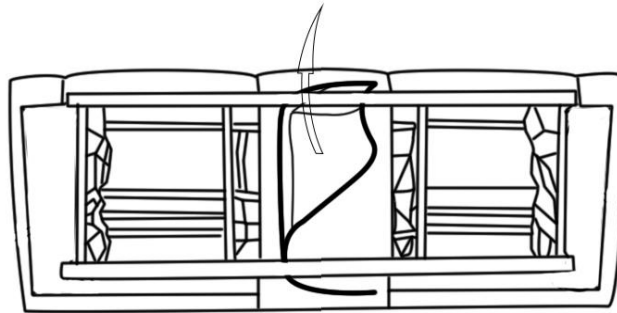
Thank you for your purchase. Be sure to check all packing material carefully for small parts which may have come loose inside the carton during shipment. Identify and count all parts and compare with the parts and hardware lists.

STEPS

Step 1: Take out the back cushion of console from the bottom of the console and slide the KD back into the steel mechanism posts in the base of the furniture.

Step 1: Take out the back cushion of console from the bottom of the

Step 2: Press both sides of the back firmly into place. The back automatically locks into place.



Page 4 / 7

STEPS

Step 3: Attach the outside back along the bottom rear of the base frame with pre-attached velcro.



CARE & MAINTENANCE

Fabric Care Tips

- Be sure to vacuum on a weekly basis so dust and dirt do not settle into the fabric.
- Wrinkles in the fabric are a natural part of normal wear
- Fabric can fade when exposed to direct sunlight over a long period of time.

- To minimize fading, avoid placing your furniture in direct sunlight.
- Avoid cleaners which use chemical products. Many of these are harsh and not safe for use on upholstery.
- Stress to the fabric may result in tears and when stretched, upholstery may not completely return to its original shape.
- Avoid sitting in one area and use the seating areas evenly for even wear.
- Fabric is not resistant to animals. Allowing pets on your upholstered furniture is not recommended.
- If pillow cushions are sewn to the frame, any pulling or tugging may result in a tear.



WARNING



- Do not use this product unless all screws and bolts are securely tightened.
- Check that all screws and bolts are secure every three months or as needed
- Dispose of packing material properly. Do not use plastic cover as head covering as it may cause suffocation.
- Do not use this product as a stepladder.
- Use this product for intended purpose only.

. Intended for residential use only.