



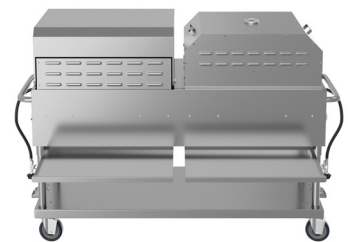
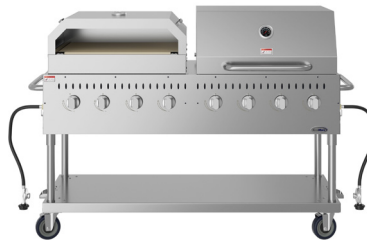
SPEC SHEET

KoolMore 60 in. 8-Burner Commercial Outdoor Propane Gas Grill With 30 in. Roll Dome Cover and 30 in. Pizza Oven in Stainless-Steel, ETL Listed

Model: CGKIT6-D30P30

FEATURES

- Commercial Precision: High-performance grilling for outdoor kitchens.
- Durable Construction: 13-gauge 304 stainless steel resists rust and corrosion.
- Powerful Burners: Eight 16,000 BTU burners, spaced 5.75" apart, for even heat.
- Quick Start-Up: Reaches cooking temp in 5 minutes.
- Spacious Cooking Area: 1126 sq. in. for multiple dishes.
- Piezo Ignition: Reliable, hassle-free startups.
- Mobility: Large casters for easy movement.
- Accessories Included: 4 grates, 2 propane hoses, and side handle.
- Dual Propane Setup: Holders and hoses for two tanks extend cooking time.
- Assembly Required: Straightforward setup with all parts included.
- Pizza Oven Attachment: 30" 16-gauge 304 stainless steel, fits 2 pizza stones, heats in 10 minutes, with dial thermometer.
- Roll Dome: 30" 16-gauge 304 stainless steel with thermometer, opens to 90°.
- ETL Certified & Warranty: Meets safety standards with a 1-year parts/labor warranty.



CLOSE UP IMAGES



TECHNICAL SPECS

Dimensions

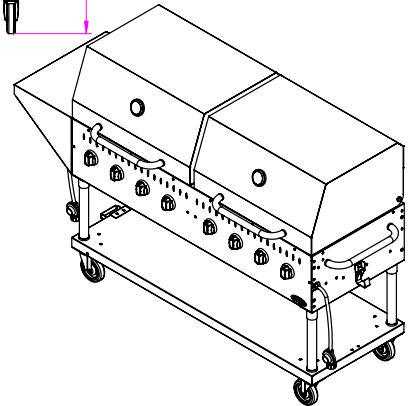
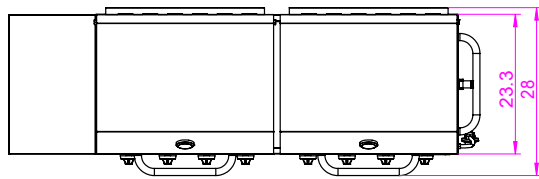
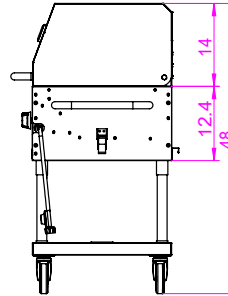
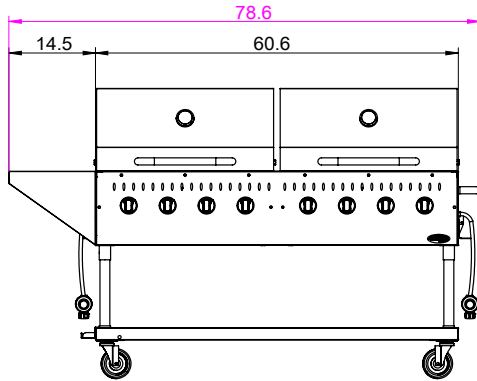
Length	60.8
Width	23.22
Height	34.8
Assembled Height	48.6
Weight lbs	281.3

Features & Materials

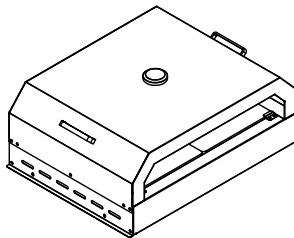
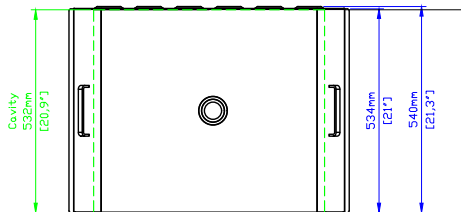
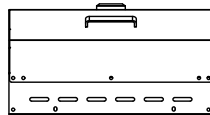
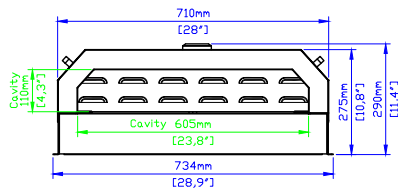
Assembly Required	Yes
Burner Grate Material	Stainless-Steel
Number Of Burners	8
Fuel Type	LP
Casters	4
Ignition Type	Pizeo
Certifications	ETL Listed

Plan View

Grill



Pizza



CERTIFICATIONS



706 Eastern Parkway STE 1G, Brooklyn NY 11213
 718-576-6342
 info@koolmore.com