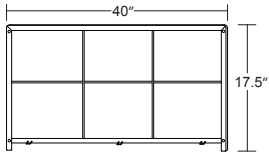
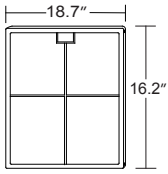


Assembly Instructions

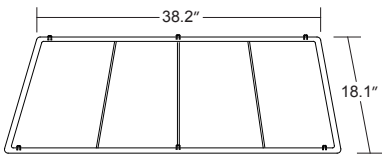
SKU# ORI003



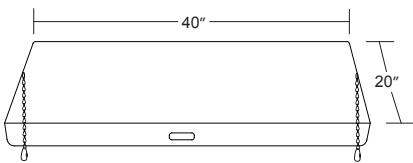
(A) Body - Long Side Qty: 2



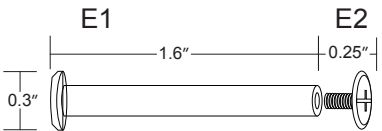
(B) Body - Short Side Qty: 2



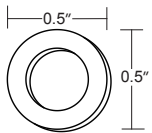
(C) Bottom Panel Qty: 1



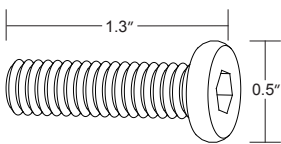
(D) Lid Qty 1



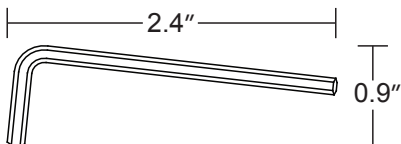
(E) Bolt Qty: 2



(F) Washer Qty: 8

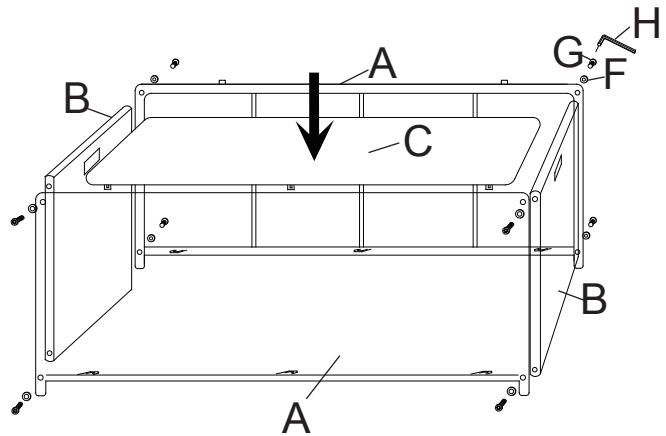


(G) Screw Qty: 8

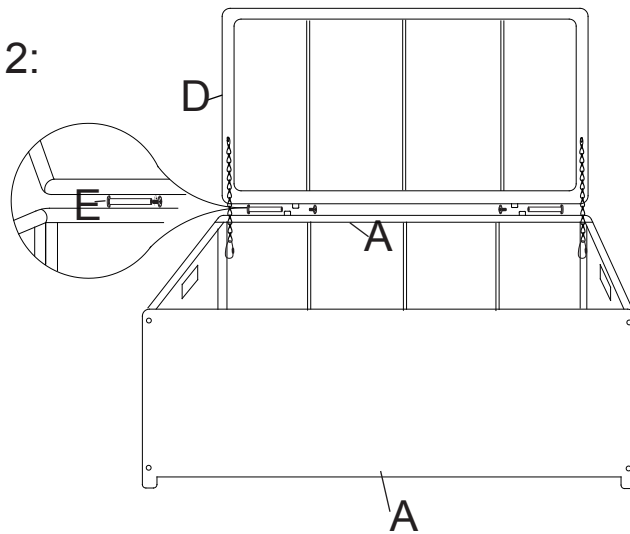


(H) Allen Wrench Qty: 1

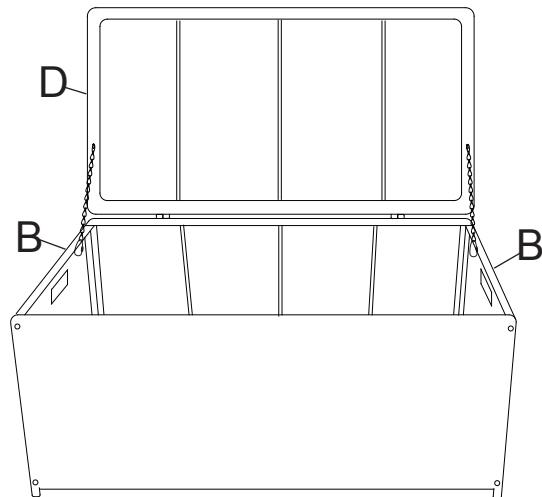
STEP 1:



STEP 2:



STEP 3:



COMPLETE

